



US00D469384S

(12) **United States Design Patent**
Iwase et al.

(10) **Patent No.:** **US D469,384 S**

(45) **Date of Patent:** **** Jan. 28, 2003**

(54) **SLIDER FOR A SLIDE FASTENER**

(75) Inventors: **Yuichi Iwase**, Kurobe (JP); **Mitsuru Ikuma**, Kurobe (JP)

(73) Assignee: **YKK Corporation**, Tokyo (JP)

(**) Term: **14 Years**

(21) Appl. No.: **29/146,860**

(22) Filed: **Aug. 20, 2001**

(30) **Foreign Application Priority Data**

Feb. 20, 2001 (JP) 2001-003782

(51) **LOC (7) Cl.** **11-01**

(52) **U.S. Cl.** **D11/221**

(58) **Field of Search** D11/87, 200, 221;
24/423, 424, 431; 70/456; 264/252

(56) **References Cited**

U.S. PATENT DOCUMENTS

3,225,405 A * 12/1965 Moser 24/423
D251,697 S * 5/1979 Toepelt et al. D11/221

5,090,096 A * 2/1992 Terada et al. 24/431
D324,663 S * 3/1992 Ebata D11/221
D366,012 S * 1/1996 Aoki D11/221
D366,230 S * 1/1996 Aoki D11/221

* cited by examiner

Primary Examiner—Ralf Seifert

(74) *Attorney, Agent, or Firm*—Finnegan, Henderson, Farabow, Garrett & Dunner LLP

(57) **CLAIM**

The ornamental design for a slider for a slide fastener, as shown and described.

DESCRIPTION

FIG. 1 is a front view of a slider for a slide fastener according to the present invention.

FIG. 2 is a right side view of the slider of FIG. 1.

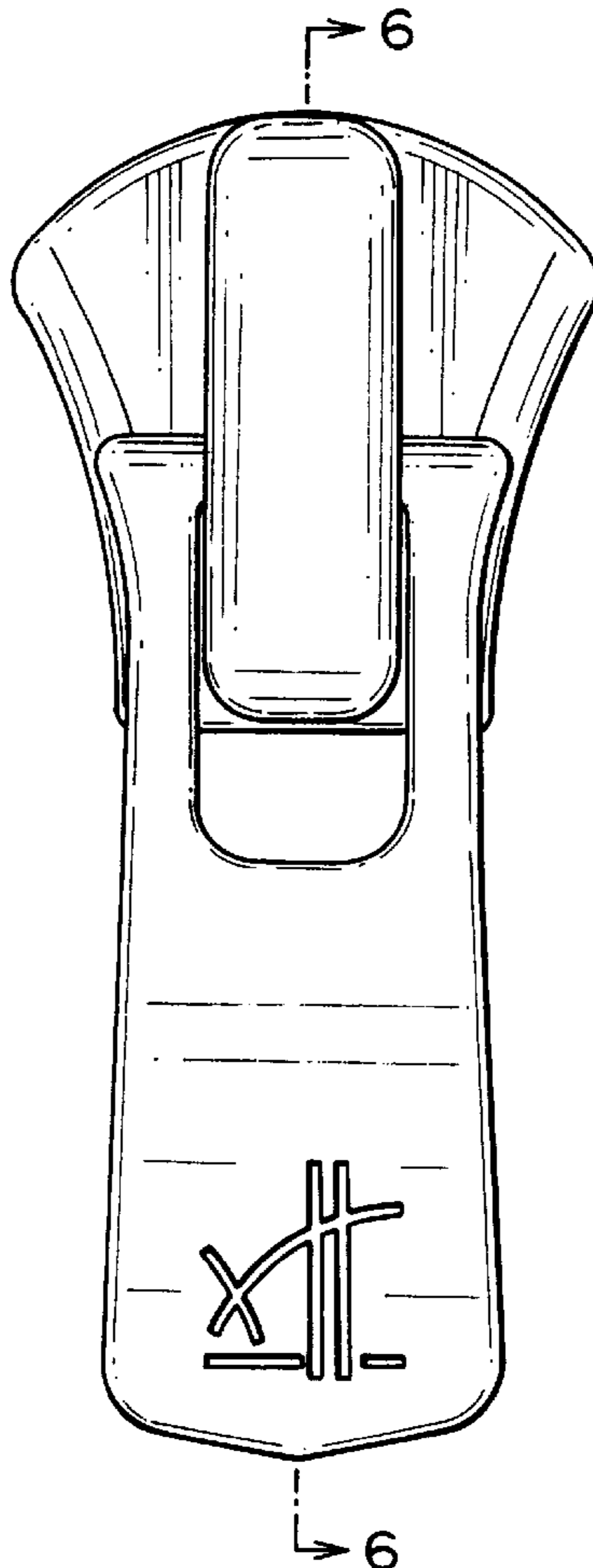
FIG. 3 is a rear view of the slider of FIG. 1.

FIG. 4 is a plan view of the slider of FIG. 1.

FIG. 5 is a base view of the slider of FIG. 1; and,

FIG. 6 is a cross-sectional view taken on line 6—6 of FIG. 1.

1 Claim, 3 Drawing Sheets



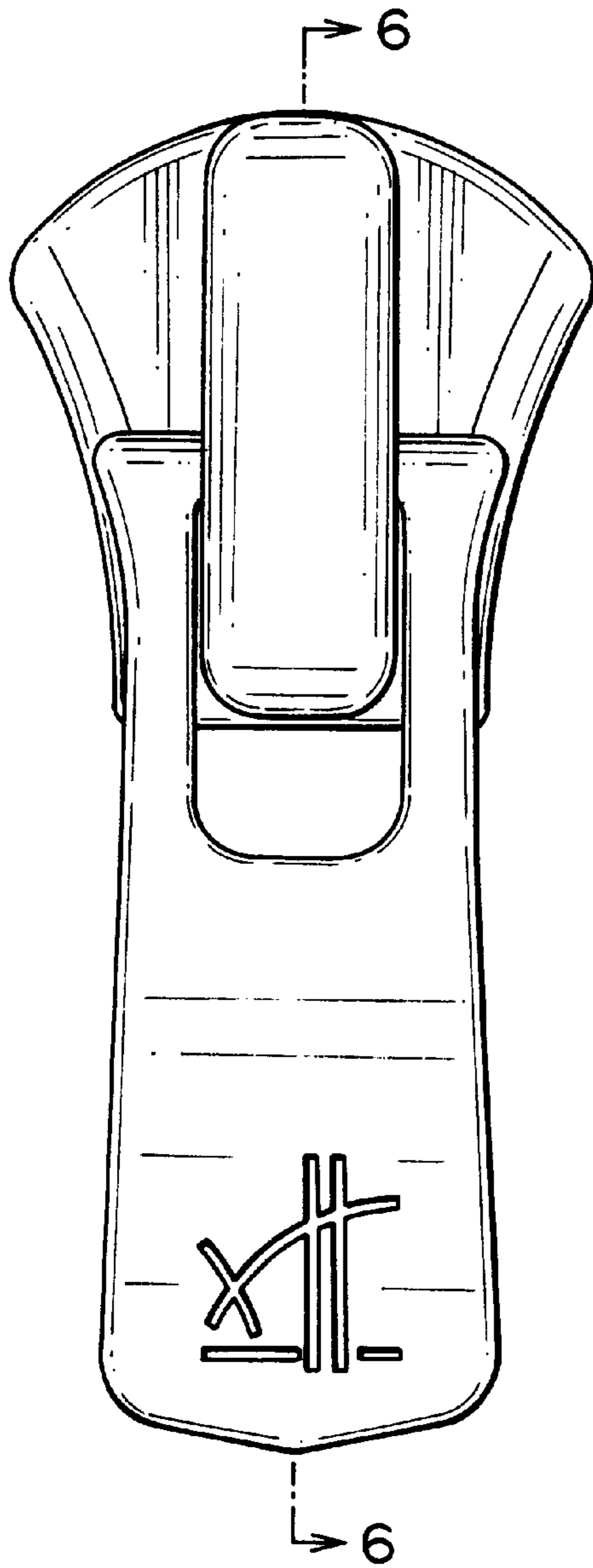


FIG. 1

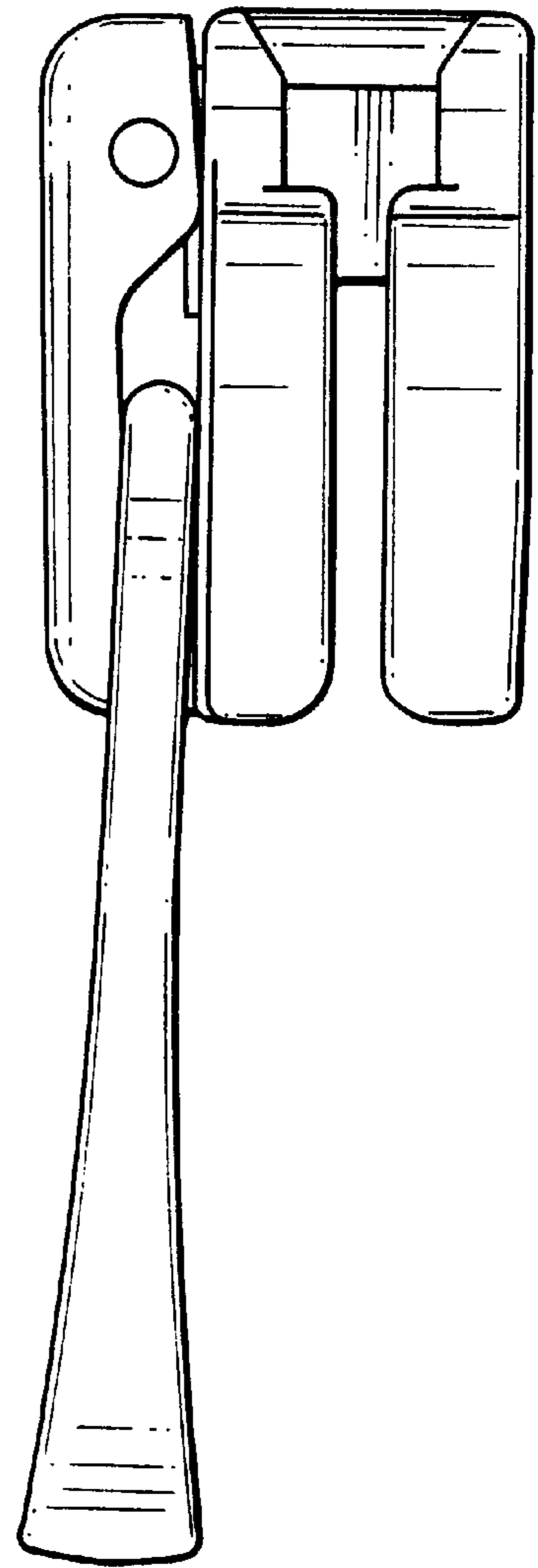


FIG. 2

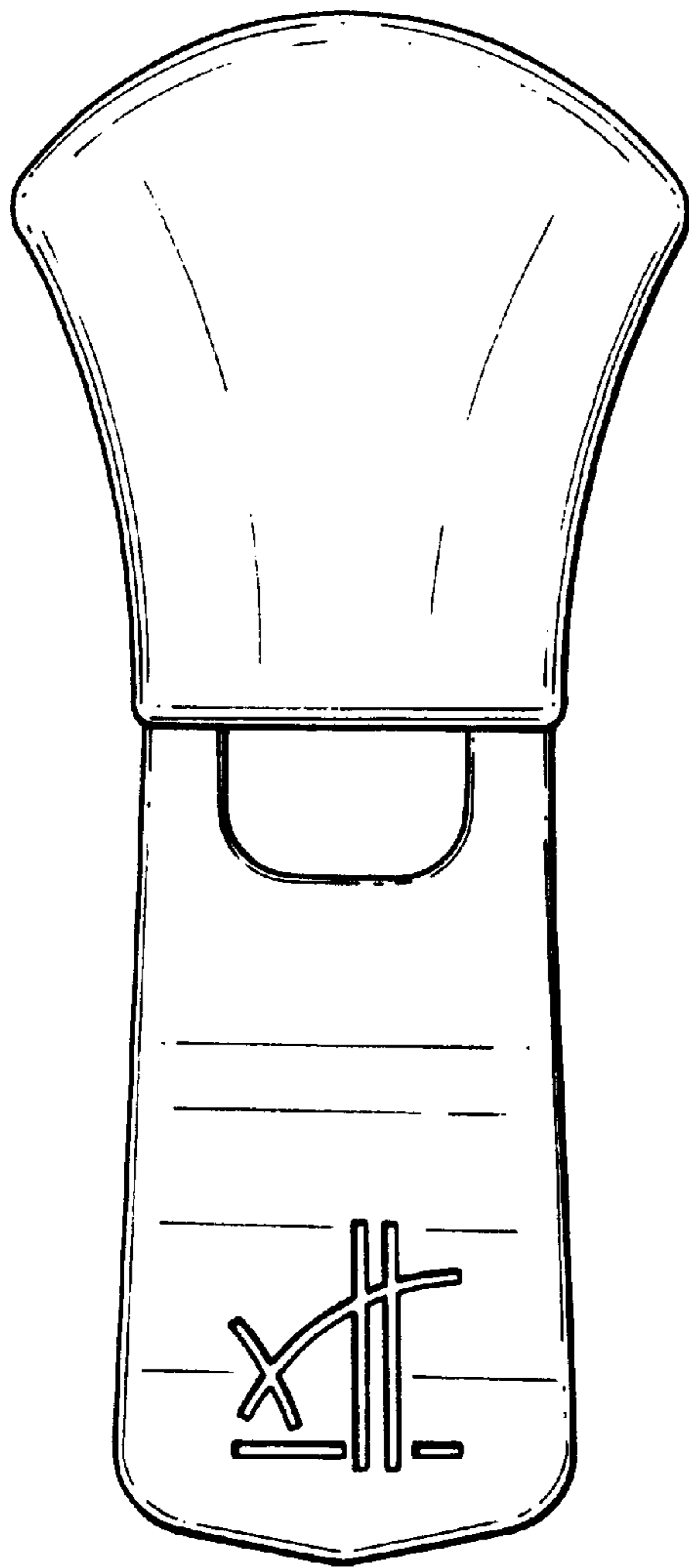


FIG. 3

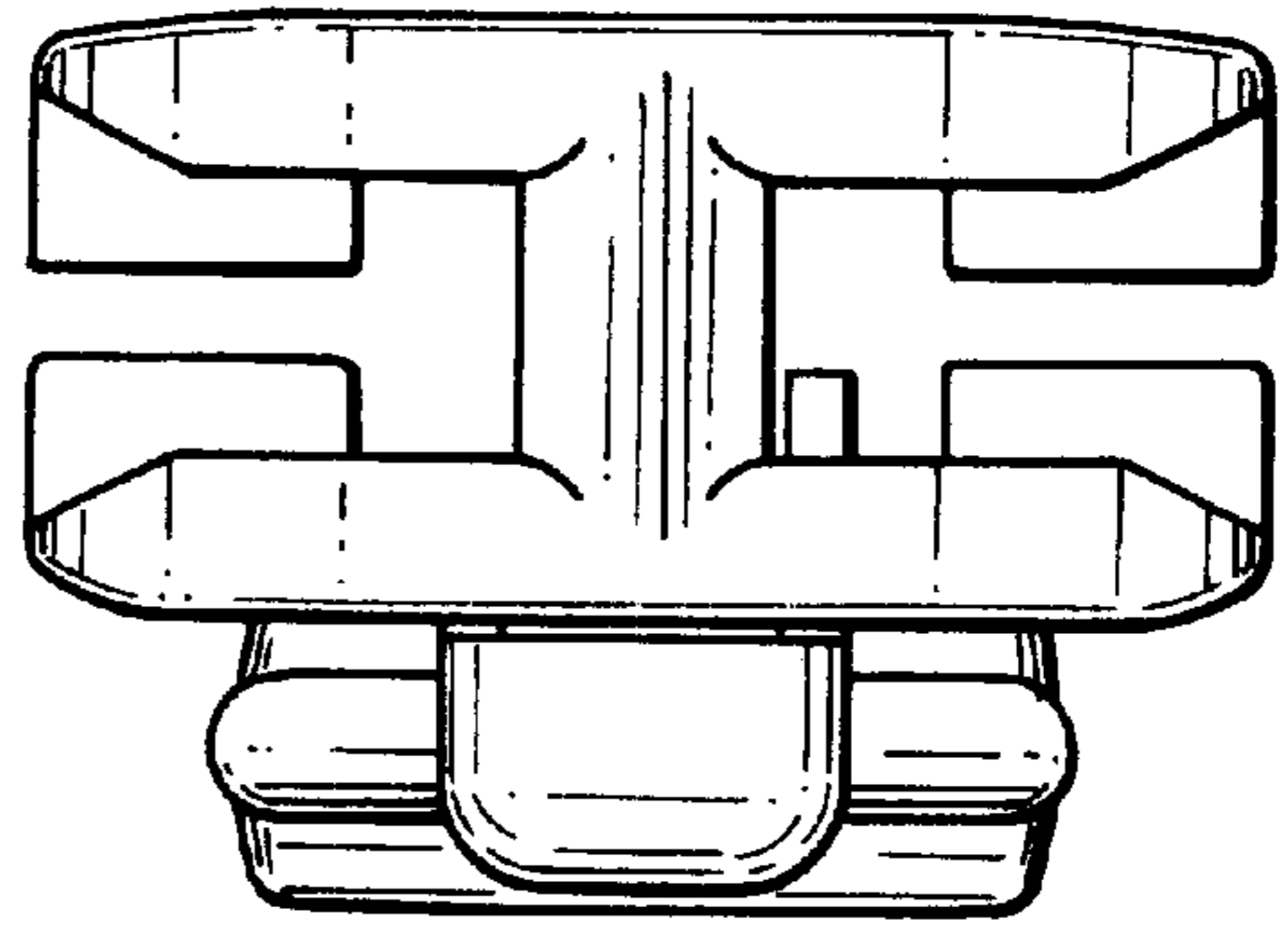


FIG. 4

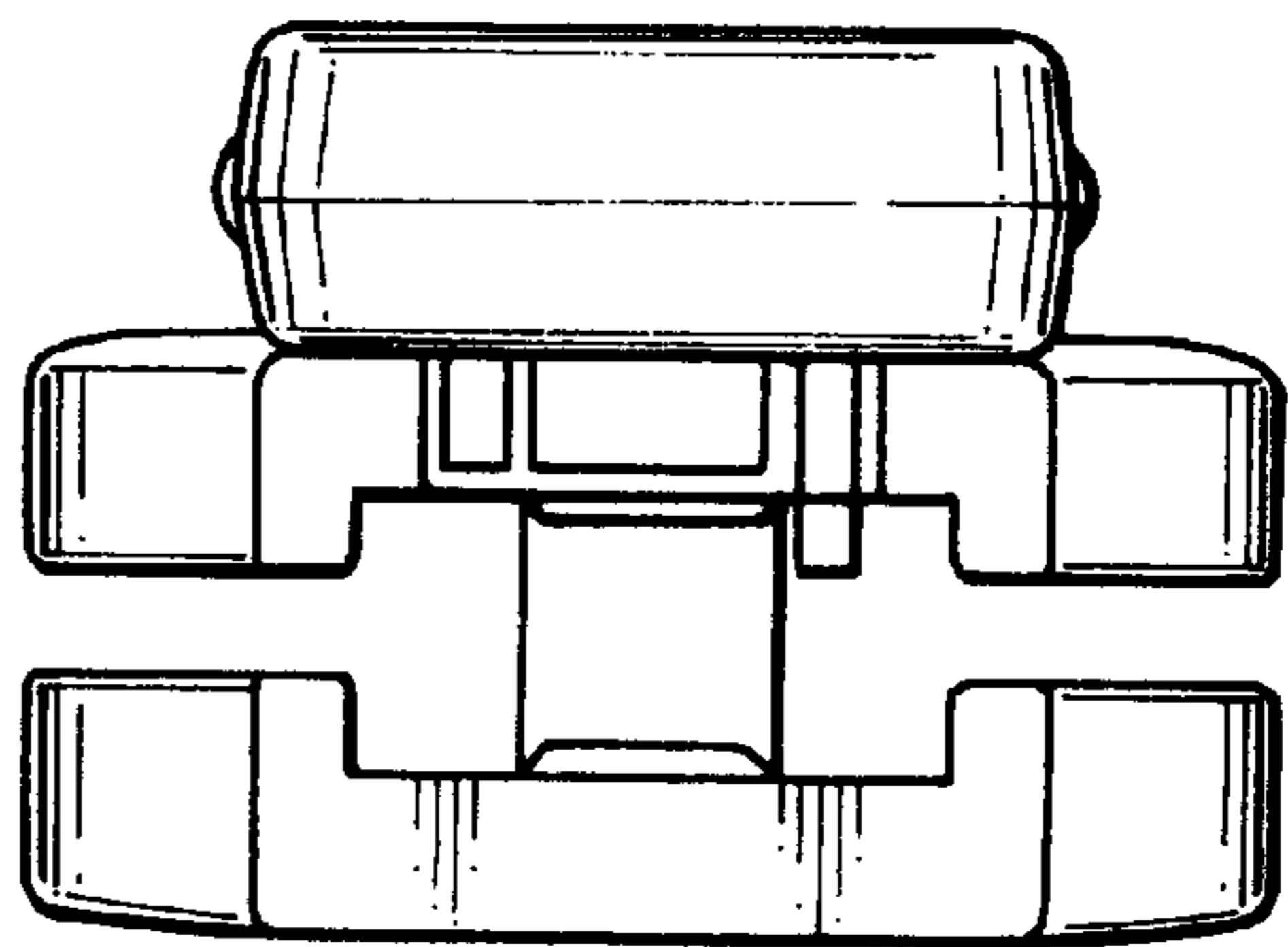


FIG. 5

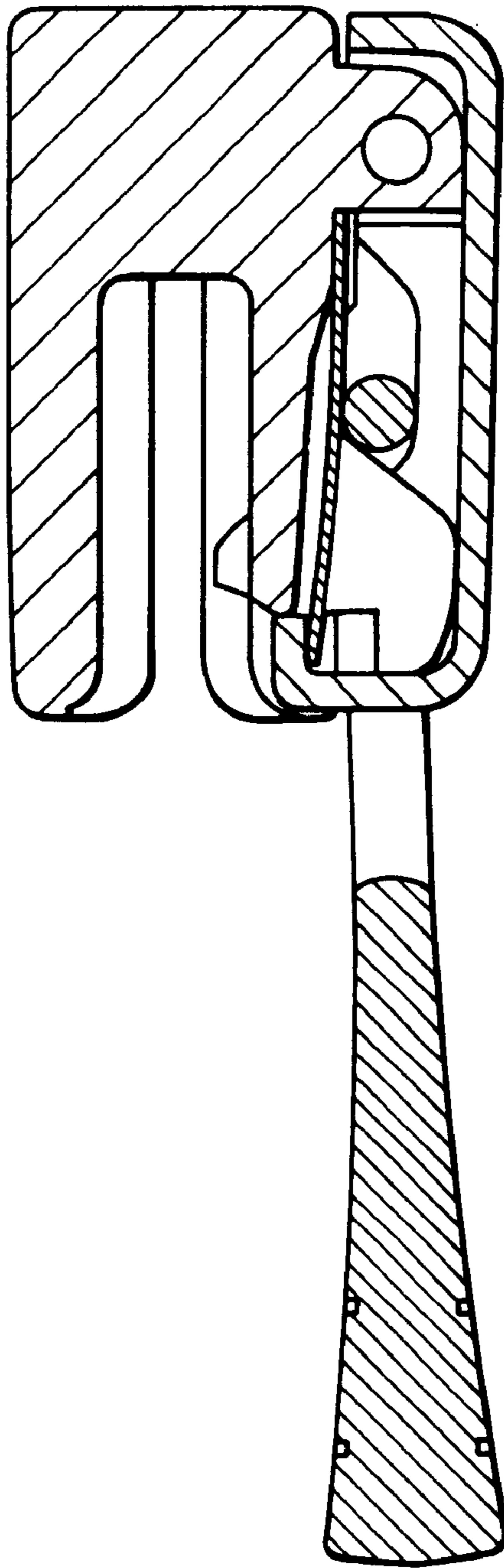


FIG. 6