



US00D469382S

(12) **United States Design Patent**
Schmitz

(10) **Patent No.:** **US D469,382 S**

(45) **Date of Patent:** **** Jan. 28, 2003**

(54) **BELT BUCKLE**

(75) Inventor: **Hans-Jörg Schmitz**, Hellgenhaus (DE)

(73) Assignee: **Batz Corporation**, Prattsville, AK (US)

(**) Term: **14 Years**

(21) Appl. No.: **29/131,991**

(22) Filed: **Oct. 30, 2000**

(30) **Foreign Application Priority Data**

Apr. 29, 2000 (DE) 400 04 256

(51) **LOC (7) Cl.** **02-07**

(52) **U.S. Cl.** **D11/200**

(58) **Field of Search** D2/627-632; D8/383;
D11/200, 218-220; 280/801; 24/614-616,
625, 633

(56) **References Cited**

U.S. PATENT DOCUMENTS

- D320,178 S * 9/1991 Kasai D11/200
- D320,576 S * 10/1991 Terada et al. D11/221
- D340,886 S * 11/1993 Anscher D11/218
- D349,262 S * 8/1994 Krauss D11/200
- 5,590,444 A * 1/1997 Krauss 24/625

- D385,826 S * 11/1997 Anscher D11/200
- D386,125 S * 11/1997 Anscher D11/200
- D401,533 S * 11/1998 Anscher D2/639

* cited by examiner

Primary Examiner—Cathy Anne MacCormac

(74) *Attorney, Agent, or Firm*—R W Becker & Associates;
R W Becker

(57) **CLAIM**

The ornamental design for a belt buckle, as shown and described.

DESCRIPTION

FIG. 1 is a front view of a belt buckle showing my new design;

FIG. 2 is a back view thereof;

FIG. 3 is an enlarged side view thereof, with the other side being identical;

FIG. 4 is an enlarged front view showing the belt buckle in a fastened position;

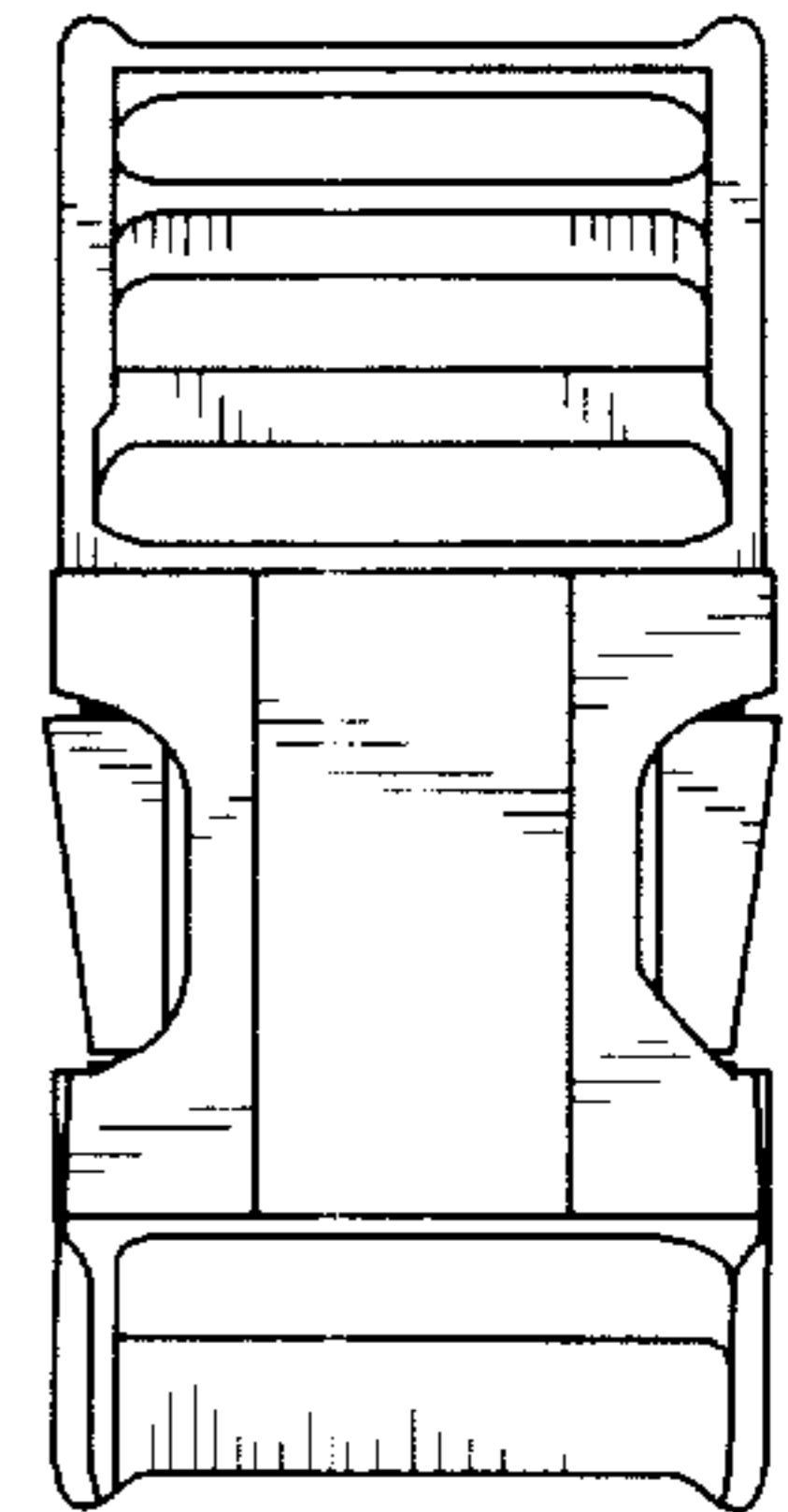
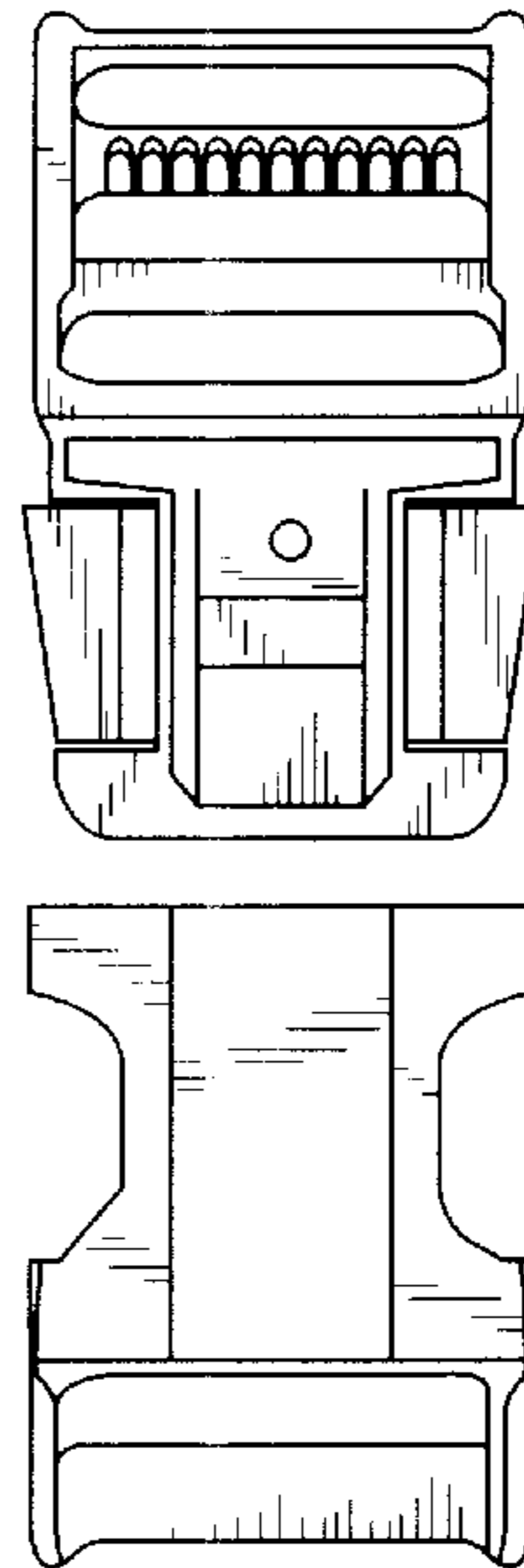
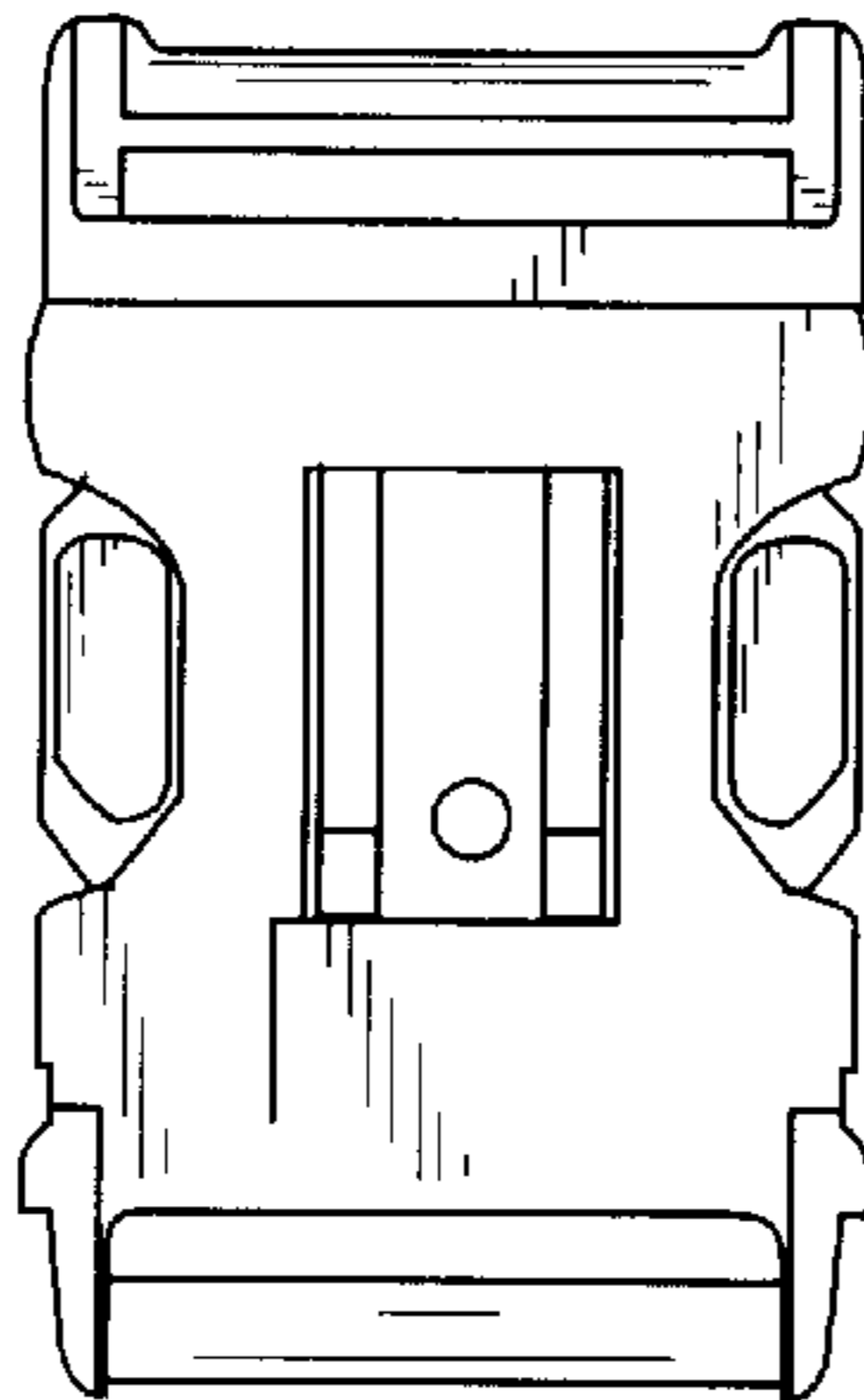
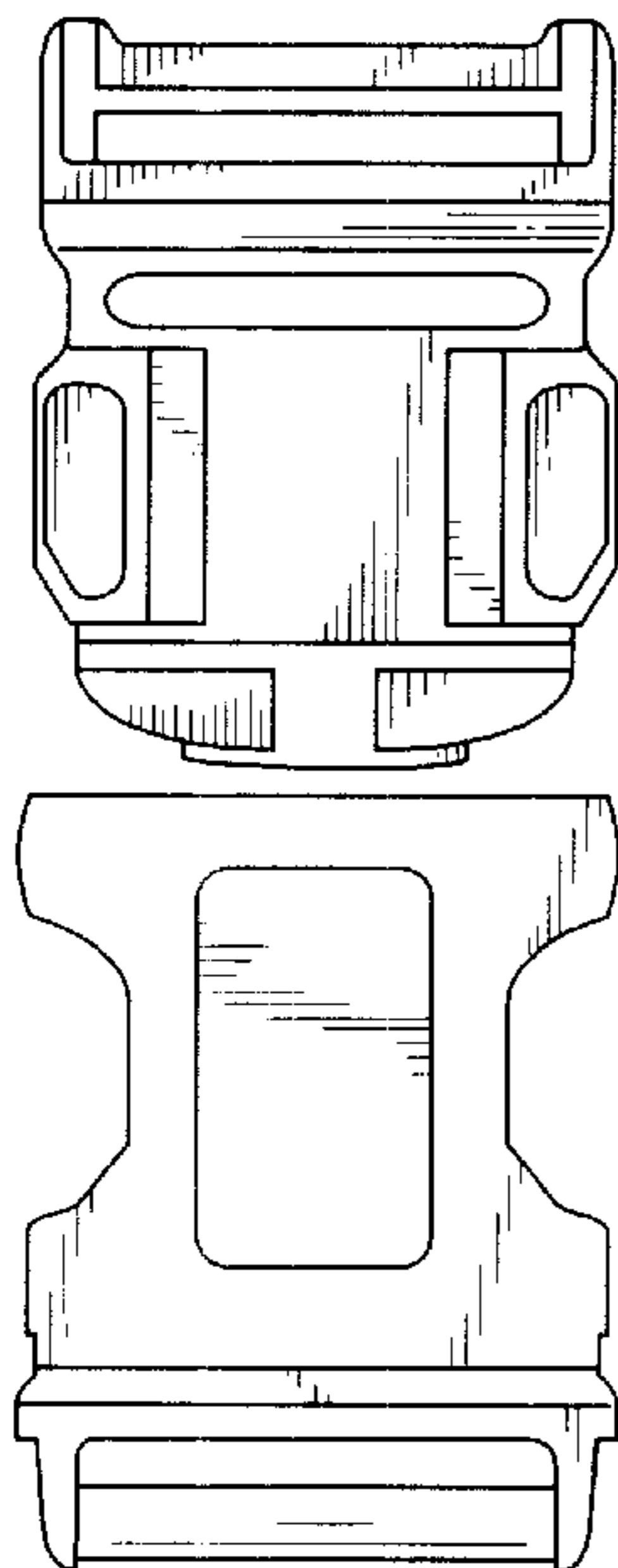
FIG. 5 is a front view of a second embodiment of FIG. 1;

FIG. 6 is a back view of FIG. 6;

FIG. 7 is a front view of FIG. 5 showing the belt buckle in a fastened position; and,

FIG. 8 is a side view of FIG. 7.

1 Claim, 3 Drawing Sheets



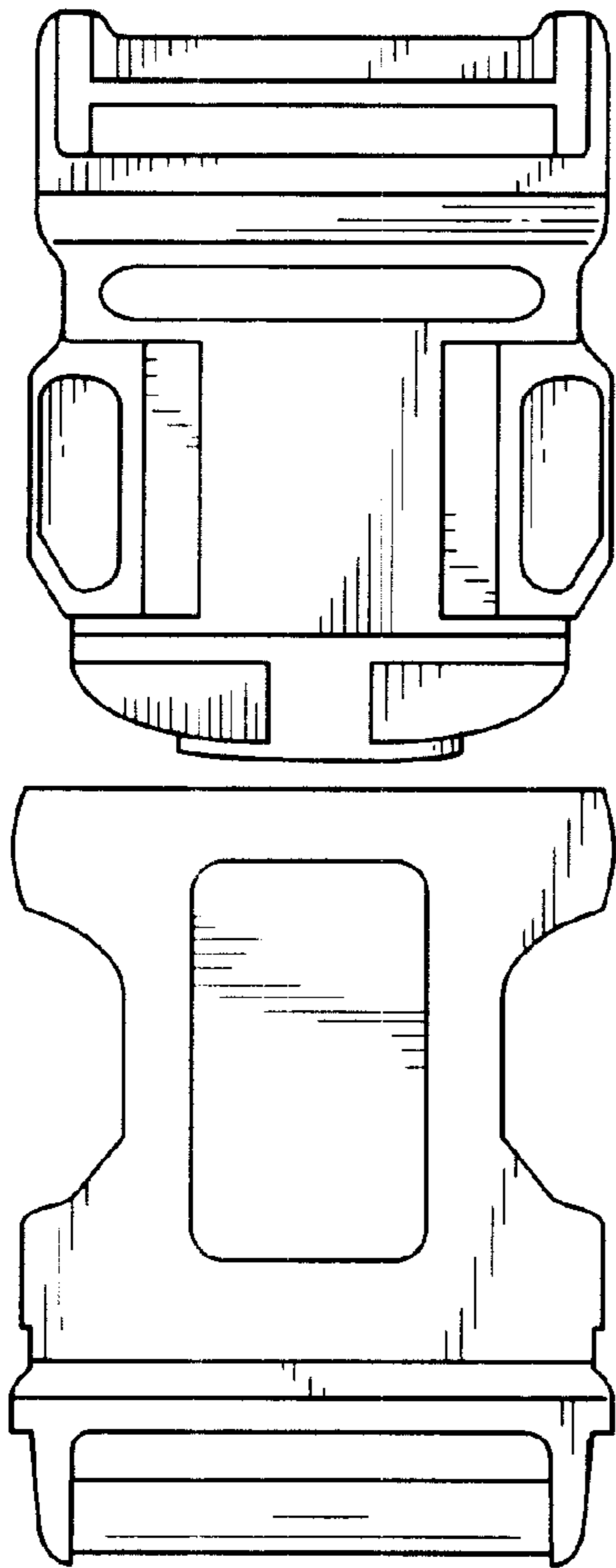


FIG. 1

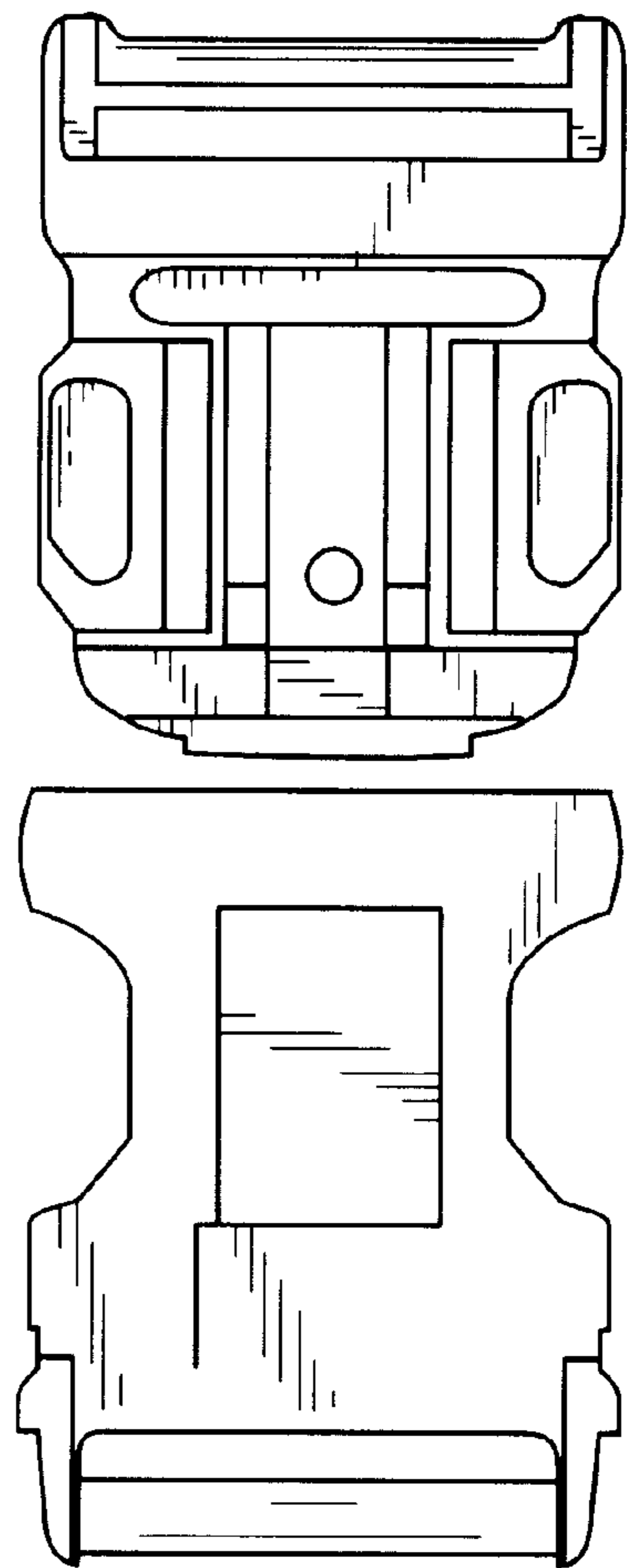


FIG. 2

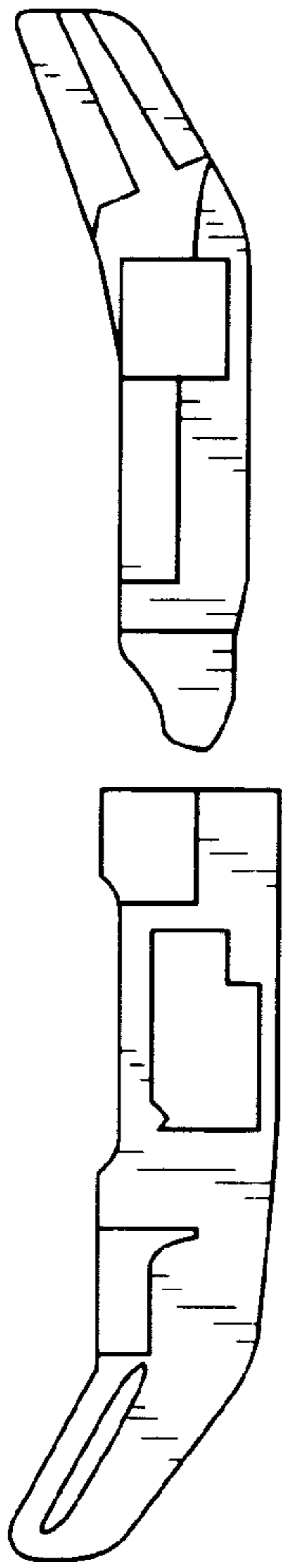


FIG.3

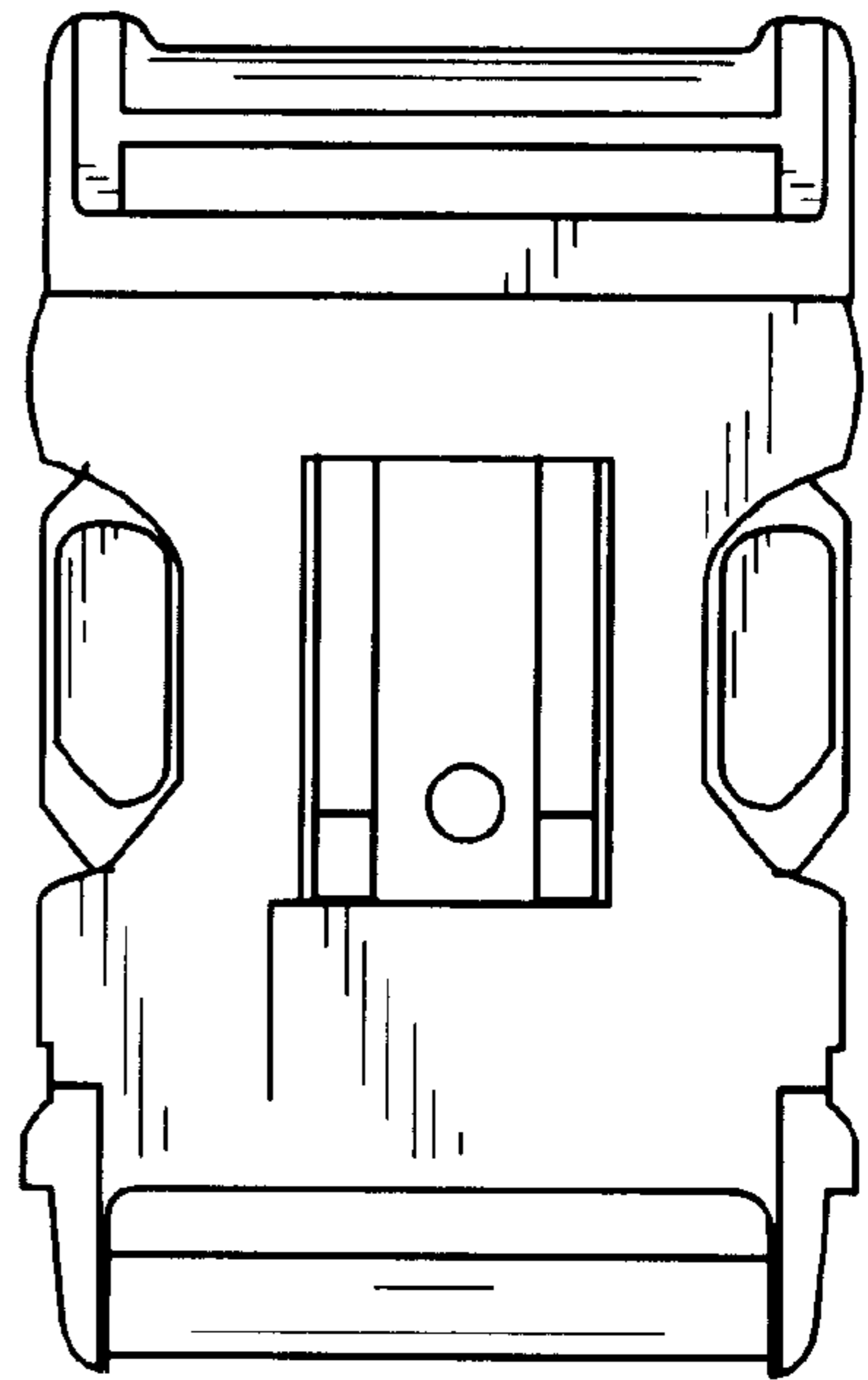


FIG.4

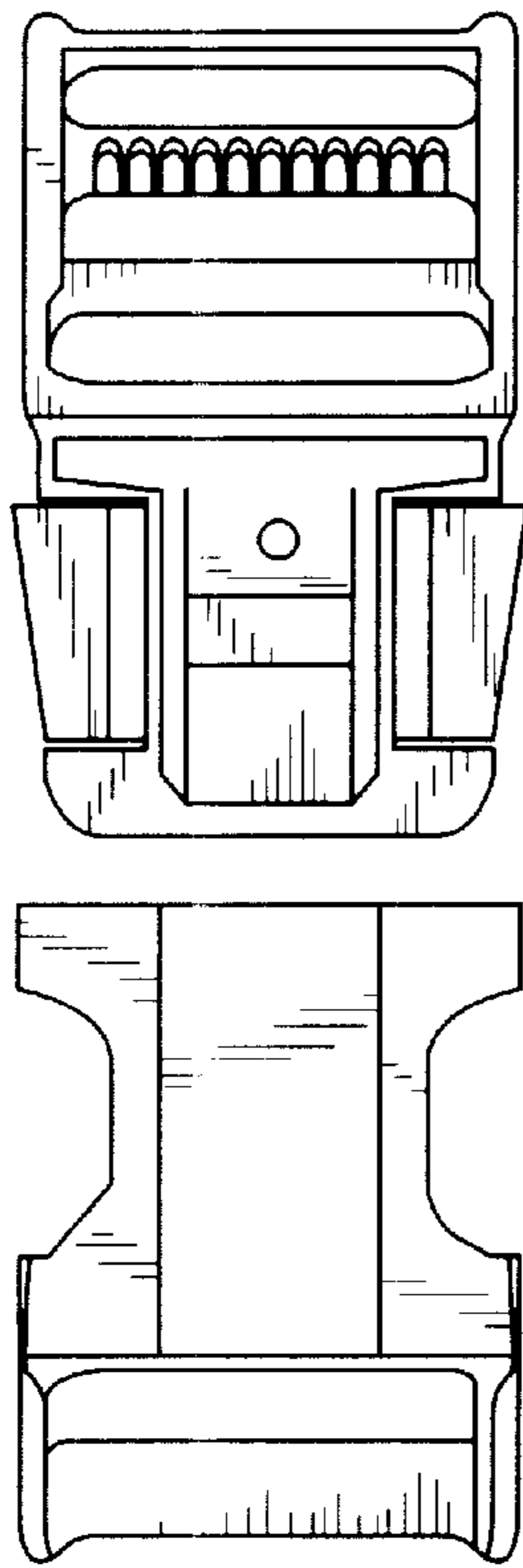


FIG.5

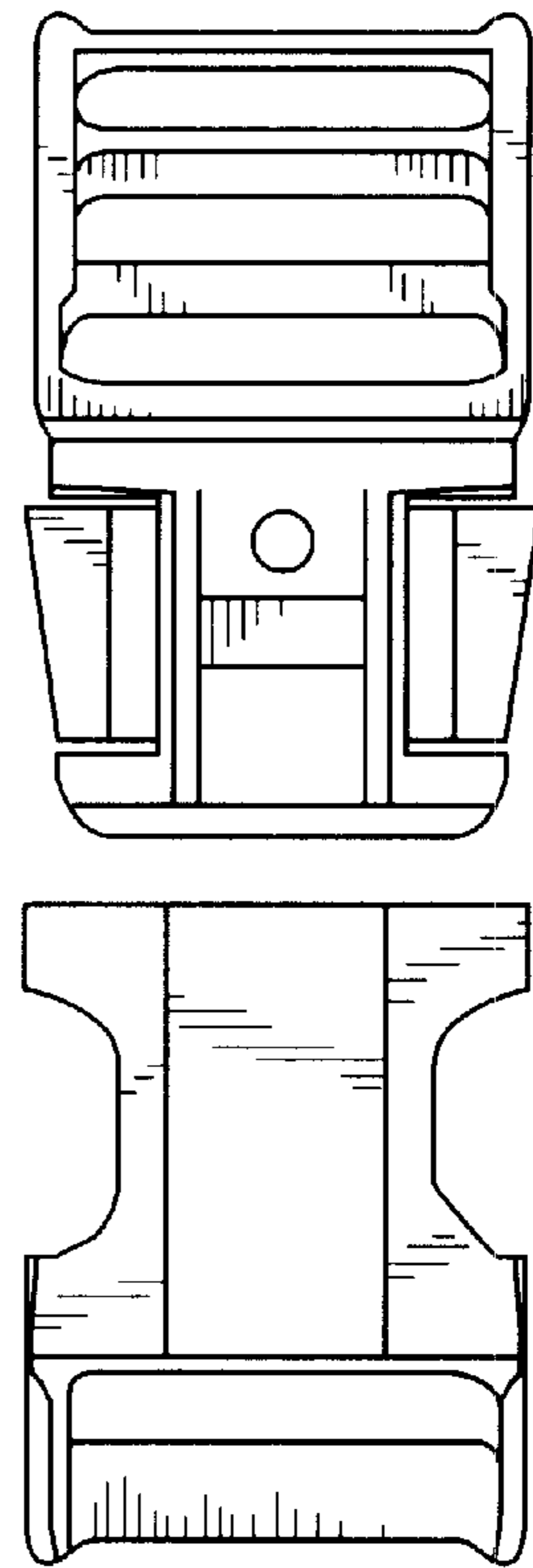


FIG.6

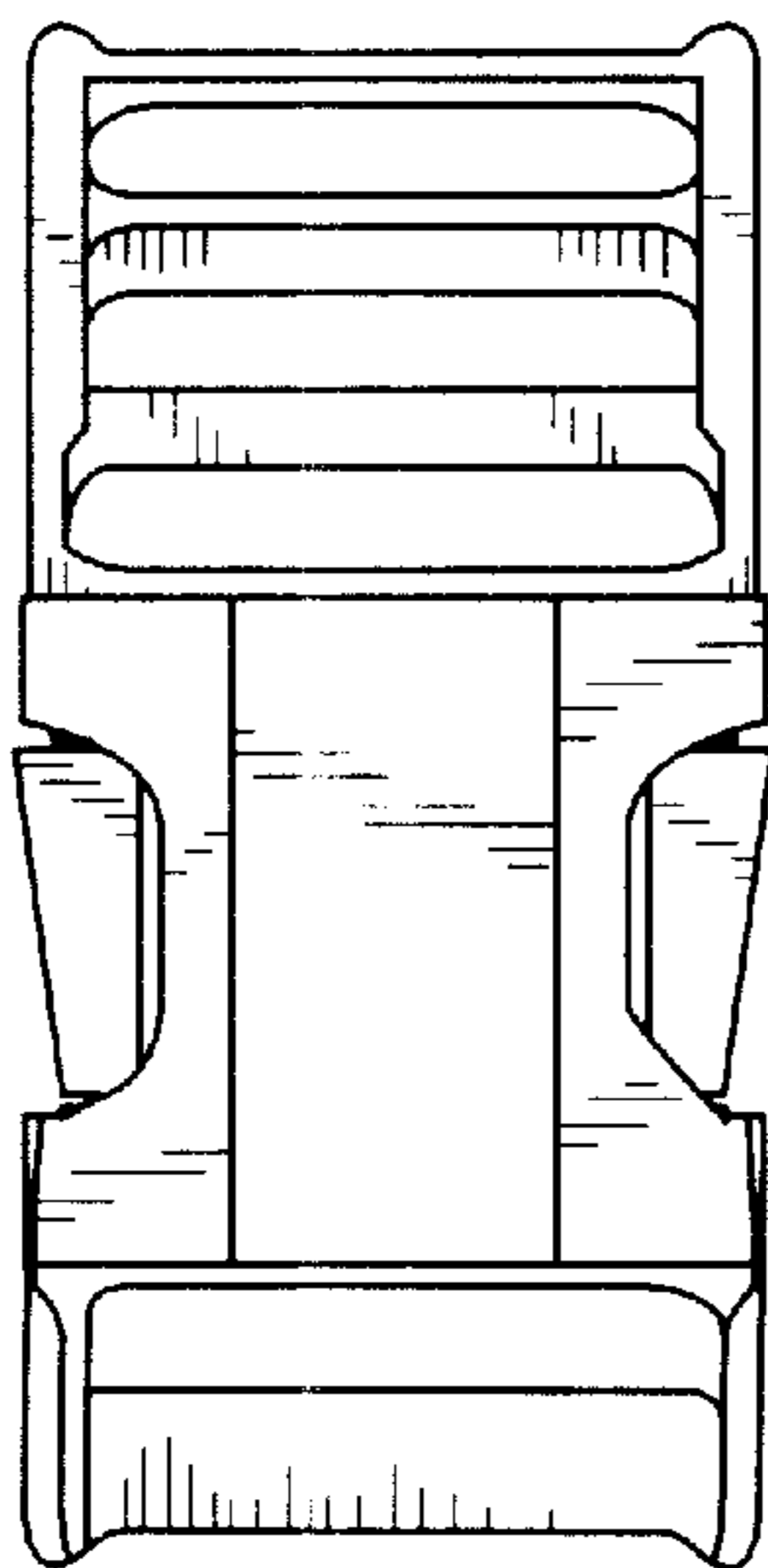


FIG.7

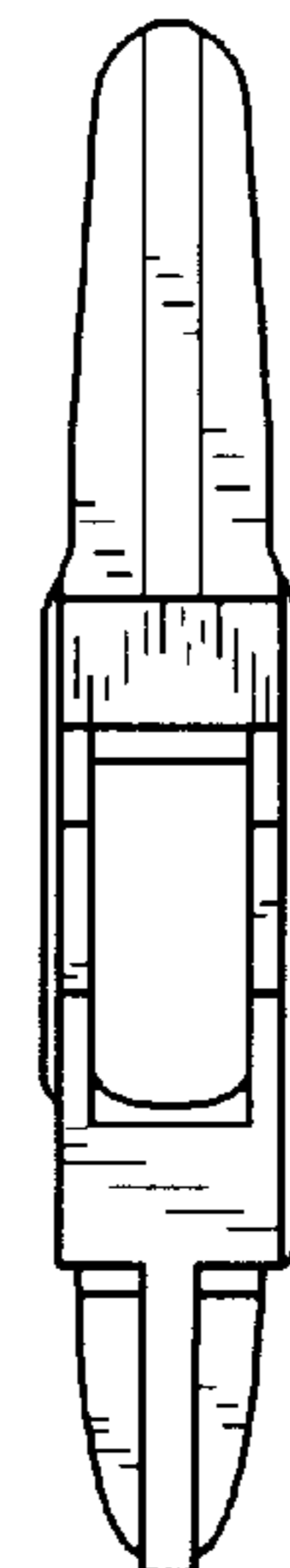


FIG.8