



US00D469381S

(12) **United States Design Patent**  
**LaCroix et al.**

(10) **Patent No.:** **US D469,381 S**  
(45) **Date of Patent:** **\*\* Jan. 28, 2003**

(54) **FLAG HOLDER**

(75) Inventors: **Tracy M. LaCroix**, Gregory, MI (US);  
**Gregory D. Richardson**, Romulus, MI (US)

(73) Assignee: **Reese Products, Inc.**, Elkhart, IN (US)

(\*\*) Term: **14 Years**

(21) Appl. No.: **29/148,473**

(22) Filed: **Sep. 19, 2001**

(51) **LOC (7) Cl.** ..... **11-05**

(52) **U.S. Cl.** ..... **D11/182**

(58) **Field of Search** ..... D8/349, 354, 366;  
D11/181, 182; D12/223; 40/592, 643; 116/28 R,  
173, 174, 175; 248/487, 512, 514, 515,  
516, 520, 534, 535, 538, 539, 555, 558

(56) **References Cited**

**U.S. PATENT DOCUMENTS**

1,564,703 A	12/1925	Nichols	
2,914,278 A	* 11/1959	Burke	248/538
3,493,203 A	2/1970	Gualano	
3,768,837 A	10/1973	Reese	
4,545,557 A	* 10/1985	Rogers	248/516
4,650,147 A	3/1987	Griffin	
D313,214 S	* 12/1990	Phillips et al.	D11/182
4,976,410 A	* 12/1990	Tomaiuolo	116/173
5,205,446 A	4/1993	Greenberg	

D340,676 S	* 10/1993	Gallagher	D11/181
D344,447 S	* 2/1994	Kuehl et al.	D11/182
5,588,630 A	12/1996	Chen-Chao	
6,042,136 A	3/2000	Heinecke	
6,085,687 A	7/2000	Chester	
D449,268 S	* 10/2001	Hanson et al.	D12/223

\* cited by examiner

*Primary Examiner*—Doris V. Coles

*Assistant Examiner*—Elizabeth A. Albert

(74) *Attorney, Agent, or Firm*—King & Schickli, PLLC

(57) **CLAIM**

The ornamental design for a flag holder, as shown and described.

**DESCRIPTION**

FIG. 1 is a perspective view of the flag holder holding a pole and flag in combination with a trailer hitch showing our new design;

FIG. 2 is a front elevational view of thereof;

FIG. 3 is a left side elevational view, the right side being a mirror image thereof;

FIG. 4 is a rear elevational view thereof;

FIG. 5 is a top plan view thereof; and,

FIG. 6 is a bottom plan view thereof.

The broken lines showing environment in the drawings are for illustrative purposes only and form no part of the claimed design.

**1 Claim, 3 Drawing Sheets**

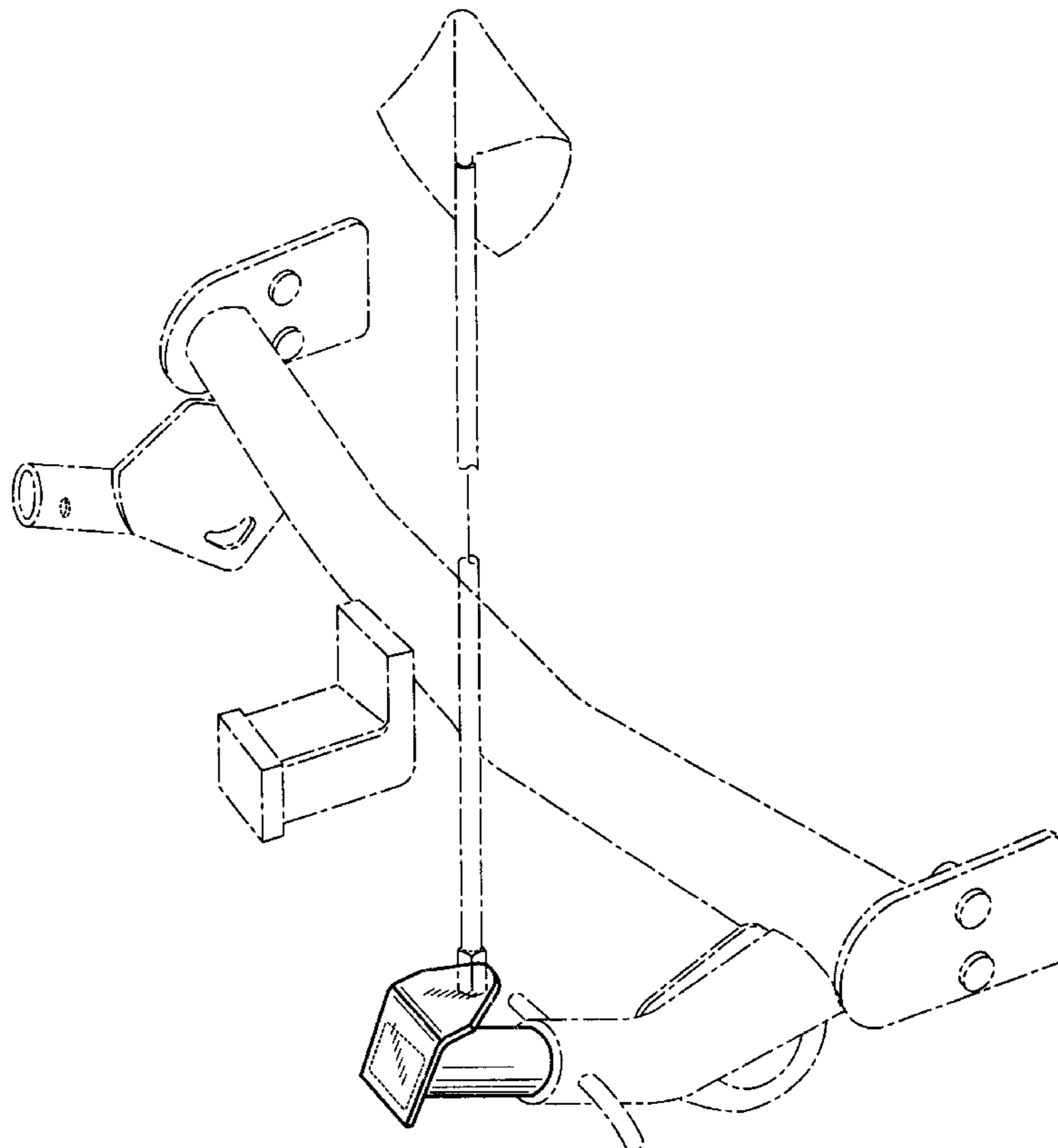


FIG. 1

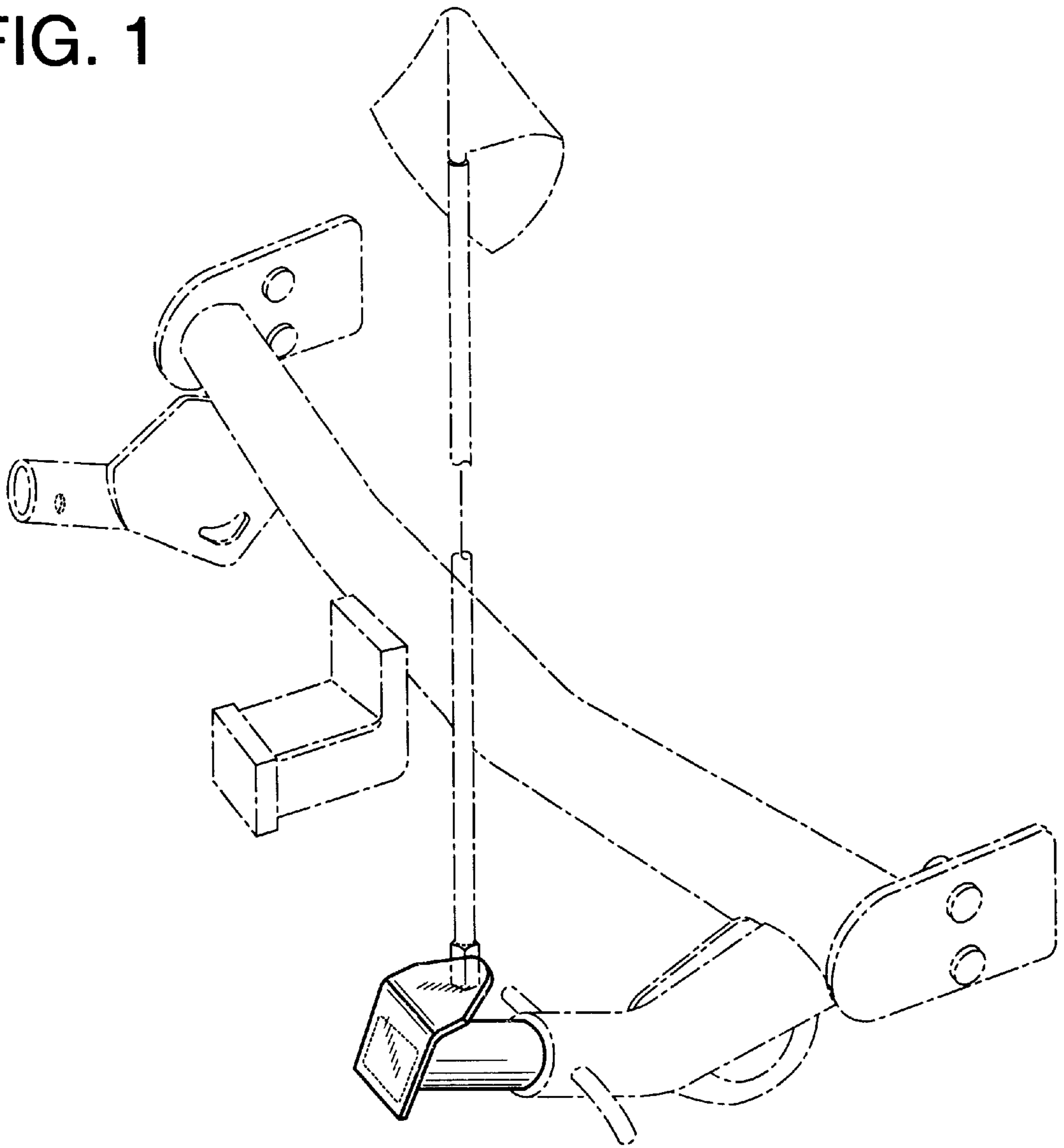


FIG. 5

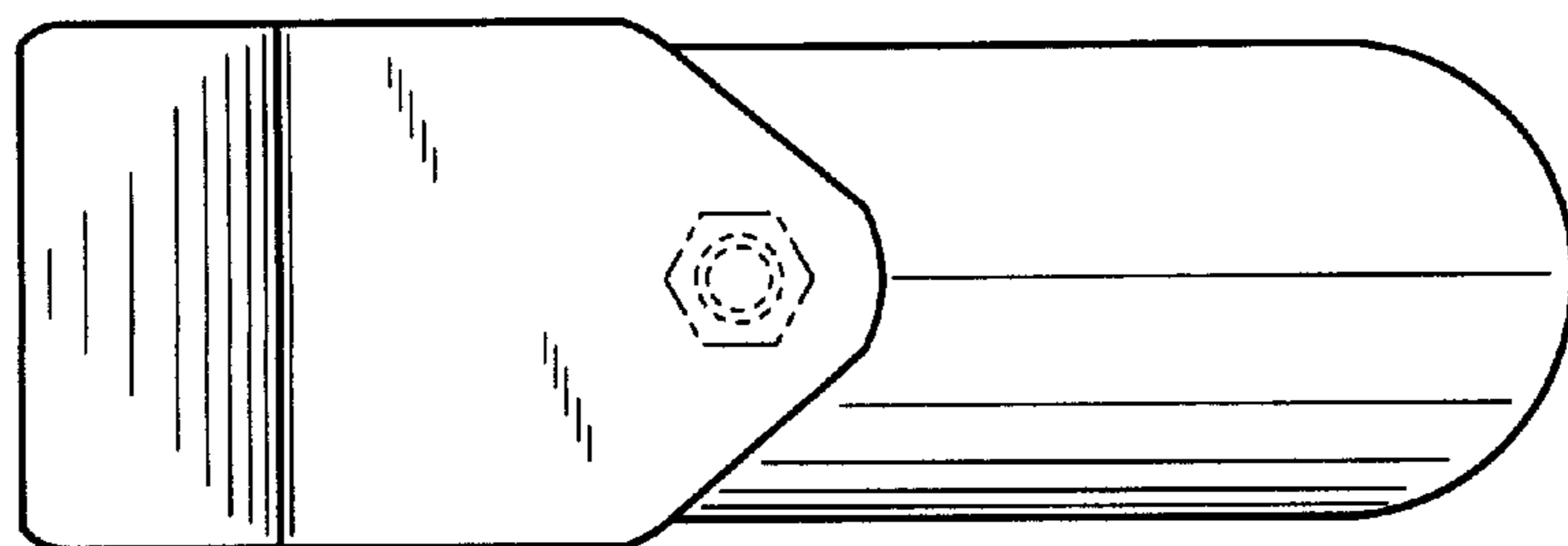


FIG. 2

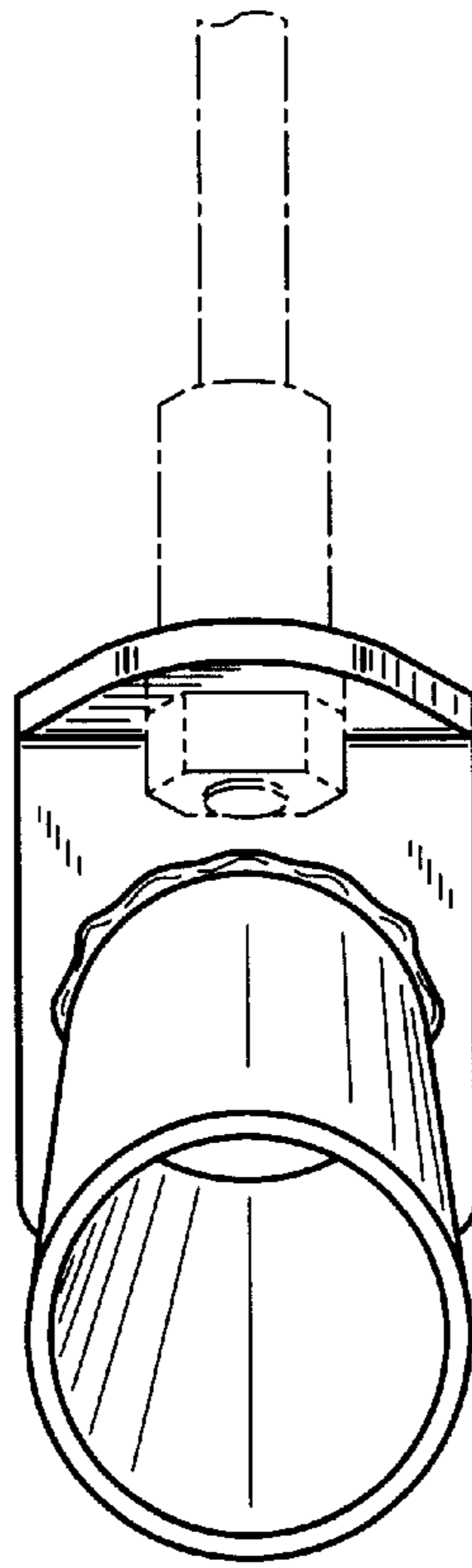


FIG. 3

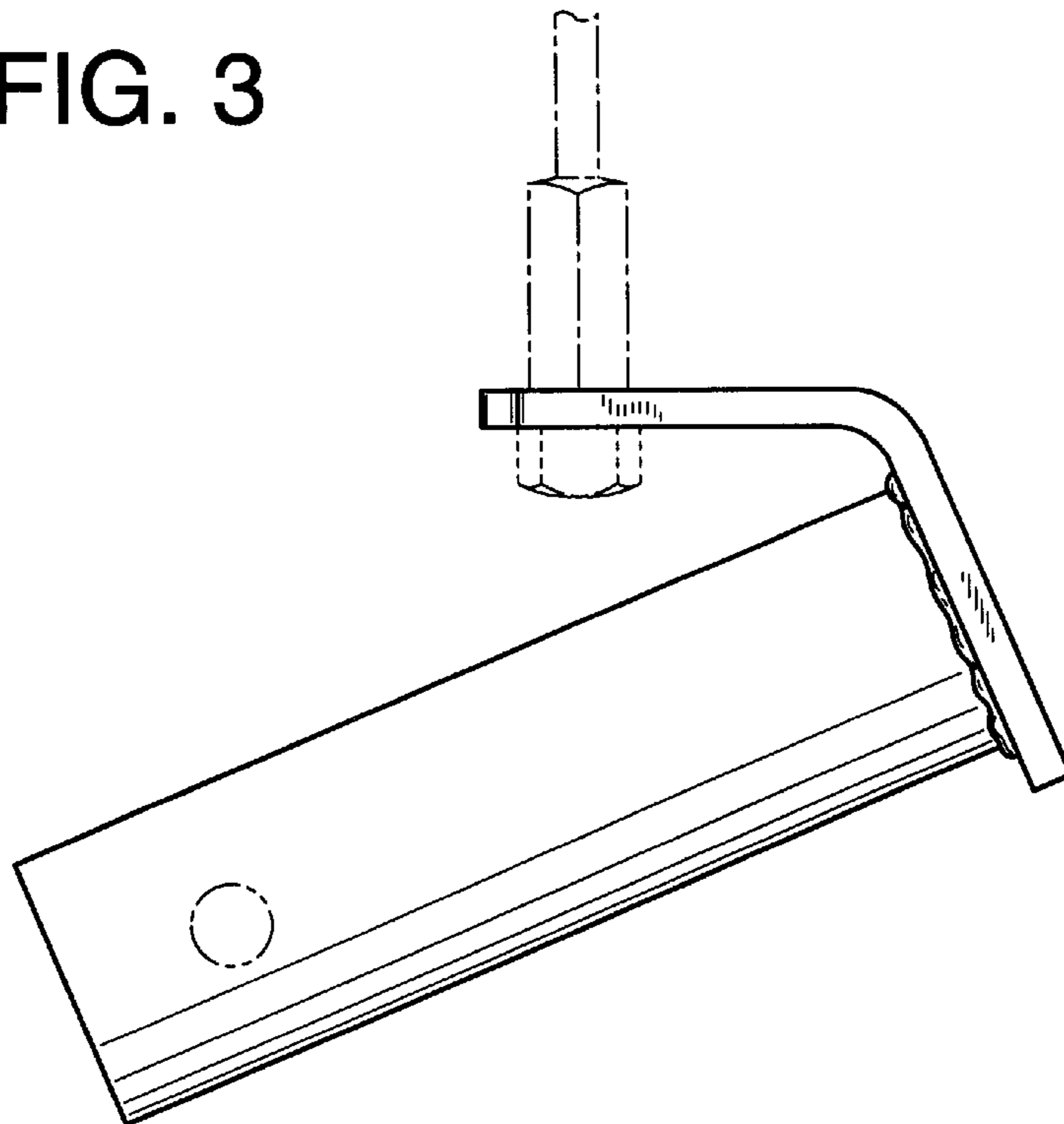


FIG. 4

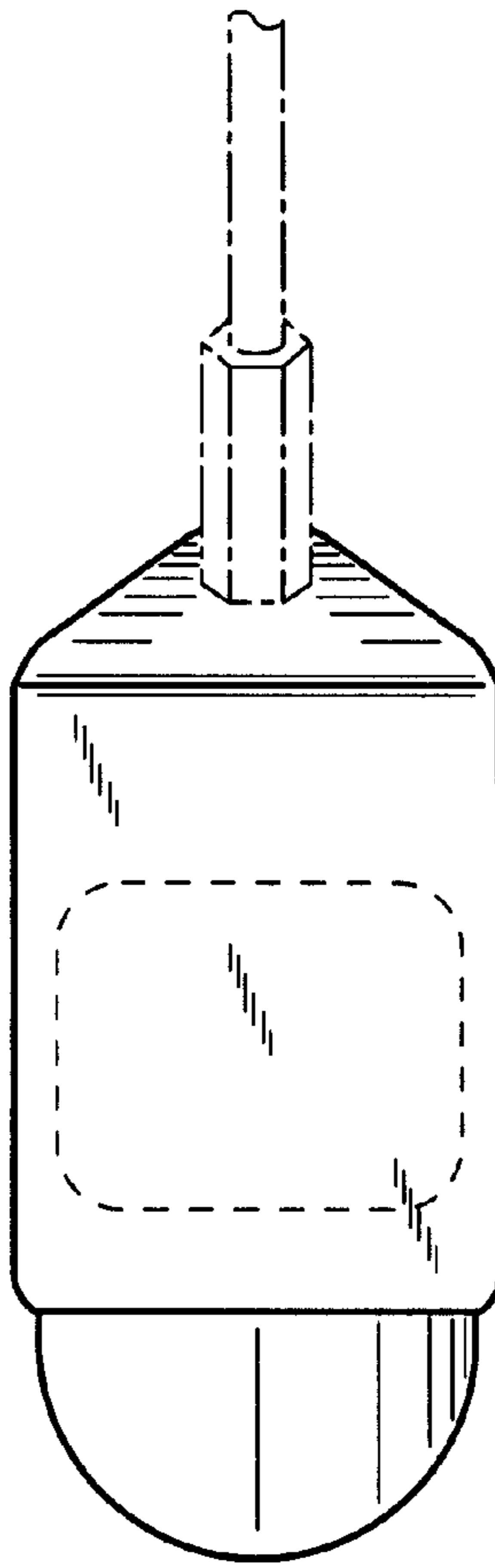


FIG. 6

