



US00D469377S

(12) **United States Design Patent**
Lee

(10) **Patent No.:** **US D469,377 S**

(45) **Date of Patent:** **** Jan. 28, 2003**

(54) **BUCKLE FOR WRIST WATCH STRAP OR BRACELET**

(75) Inventor: **Kwong Chun Lee**, New Territories (HK)

(73) Assignee: **Yip Chun Company Limited**, New Territories (HK)

(**) Term: **14 Years**

(21) Appl. No.: **29/157,738**

(22) Filed: **Mar. 25, 2002**

(51) **LOC (7) Cl.** **11-01**

(52) **U.S. Cl.** **D11/87**

(58) **Field of Search** D11/3-15, 18-20, D11/22-25, 86, 87, 93, 94, 200; 63/3, 4, 9, 21, 38; 24/71 J, 71 R, 68 E, 265 WS, 69 J; D10/32

(56) **References Cited**

U.S. PATENT DOCUMENTS

2,542,358 A *	2/1951	Ritter	D11/87 R
3,863,299 A *	2/1975	Hocq	24/71 J
4,564,982 A *	1/1986	Paolini	24/71 J
D390,803 S *	2/1998	Giardiello	D11/87
5,781,968 A *	7/1998	Widmer	24/71 J

* cited by examiner

Primary Examiner—Ralf Seifert

(74) *Attorney, Agent, or Firm*—David P. Gordon; David S. Jacobson; Thomas A. Gallagher

(57) **CLAIM**

The ornamental design for a buckle for wrist watch strap or bracelet, as shown and described.

DESCRIPTION

FIG. 1 is a front perspective view of a buckle for wrist watch strap or bracelet, in an open condition, showing my new design;

FIG. 2 is front elevational view thereof;

FIG. 3 is a rear elevational view thereof;

FIG. 4 is a left side elevational view thereof;

FIG. 5 is a right side elevational view thereof;

FIG. 6 is a top end elevational view thereof;

FIG. 7 is a bottom end elevational view thereof;

FIG. 8 is a front perspective view of the buckle in a closed condition;

FIG. 9 is front elevational view thereof;

FIG. 10 is a rear elevational view thereof;

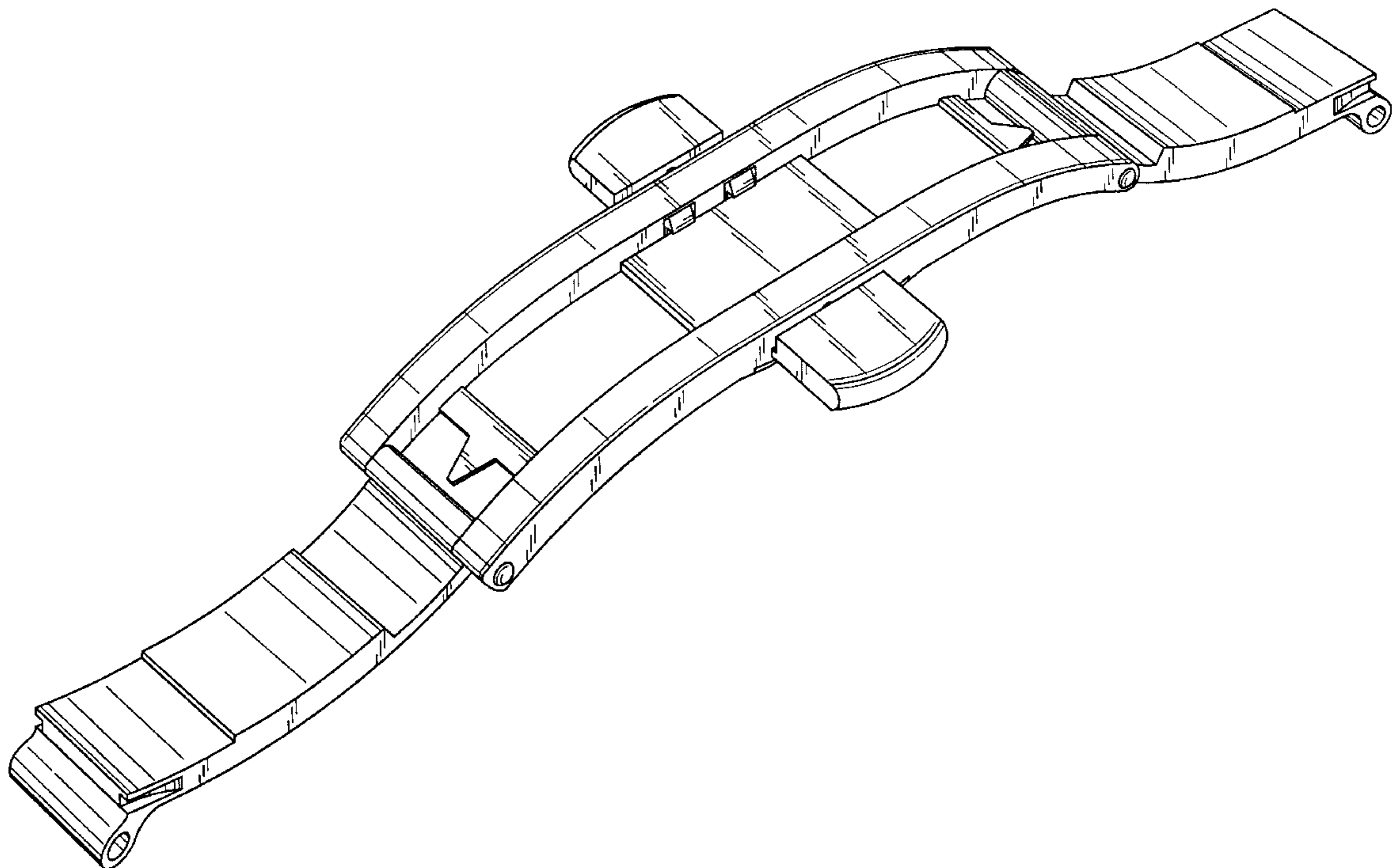
FIG. 11 is a left side elevational view thereof;

FIG. 12 is a right side elevational view thereof;

FIG. 13 is a top end elevational view thereof; and,

FIG. 14 is a bottom end elevational view thereof.

1 Claim, 7 Drawing Sheets



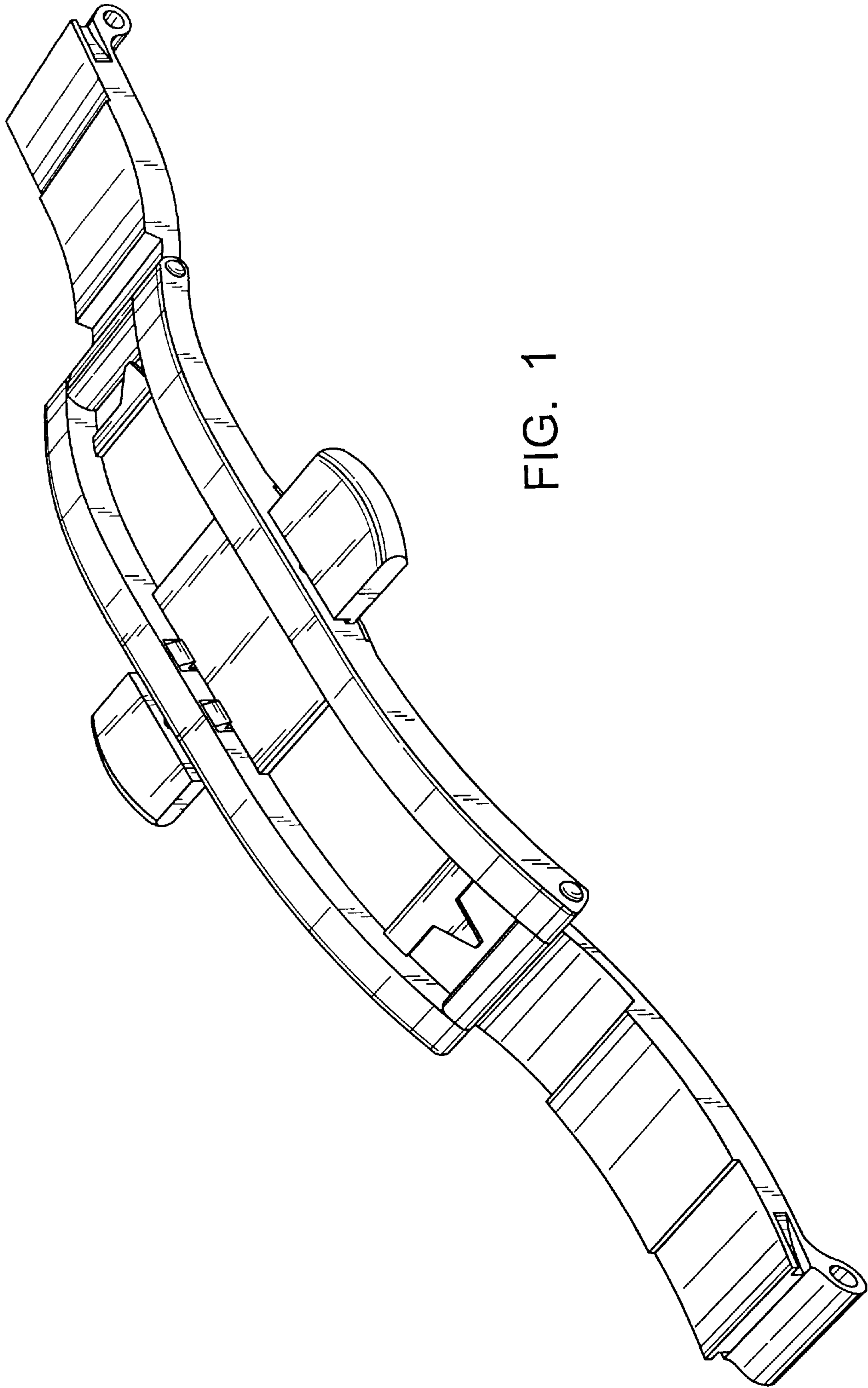


FIG. 1

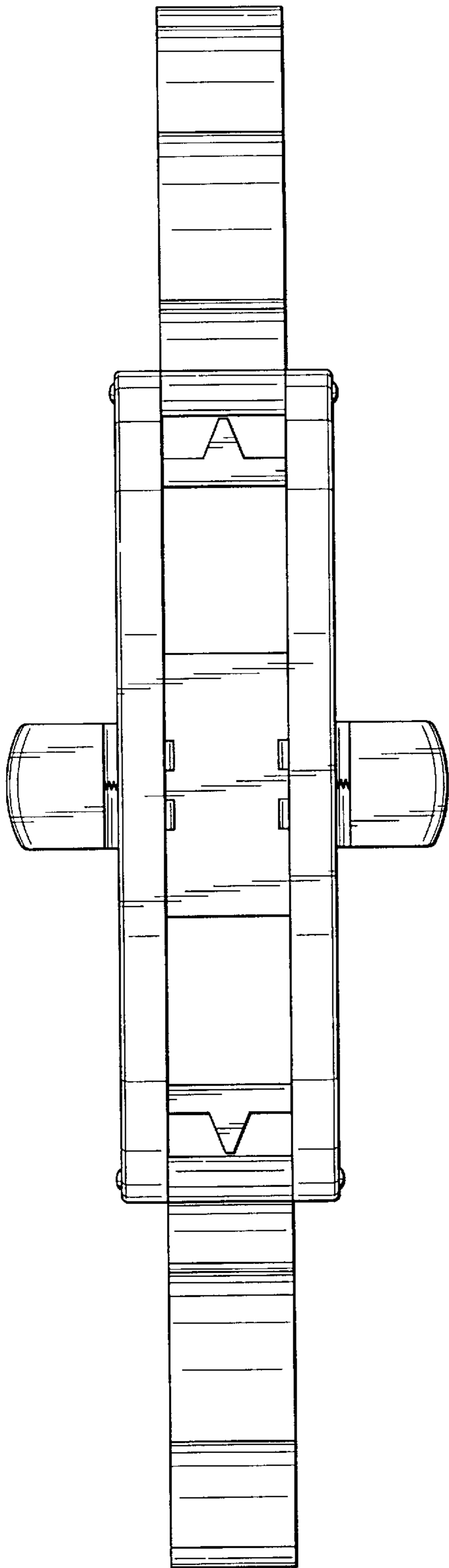


FIG. 2

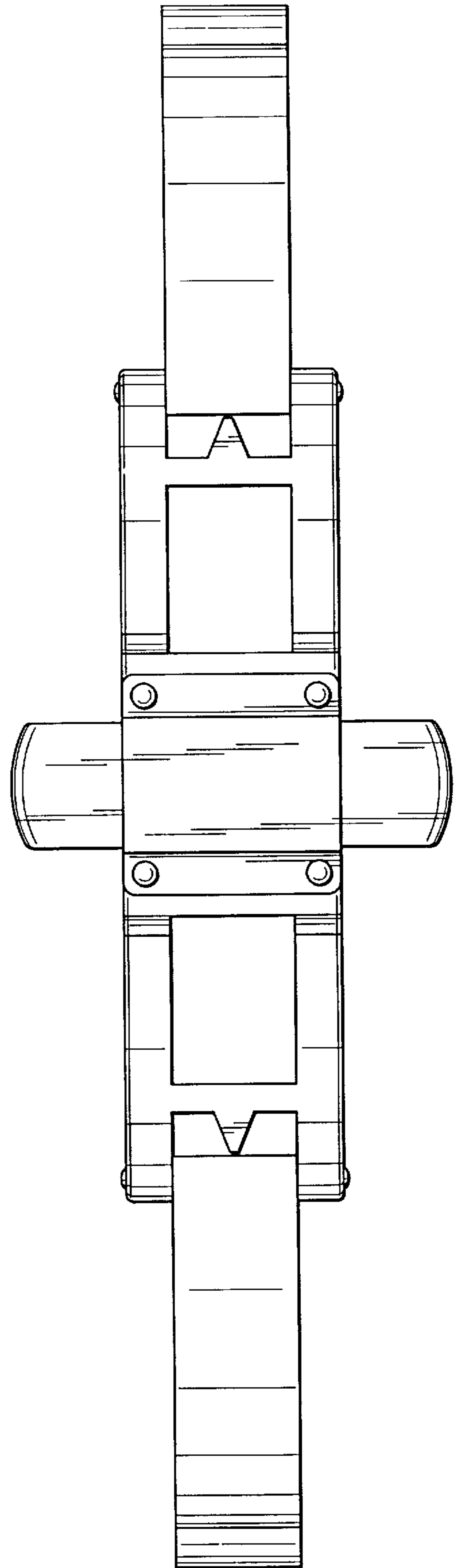


FIG. 3

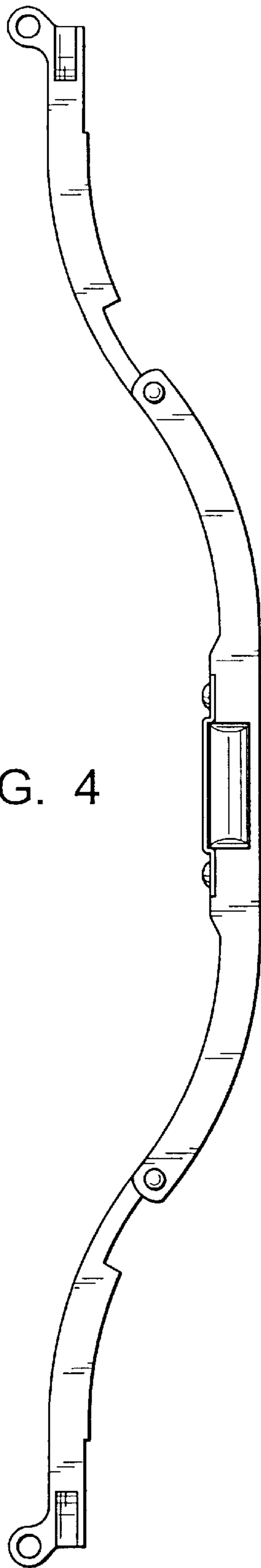


FIG. 4

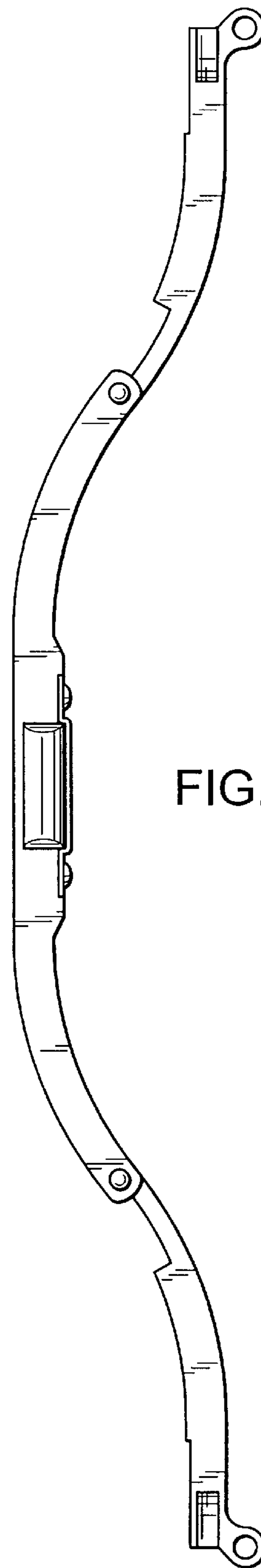


FIG. 5

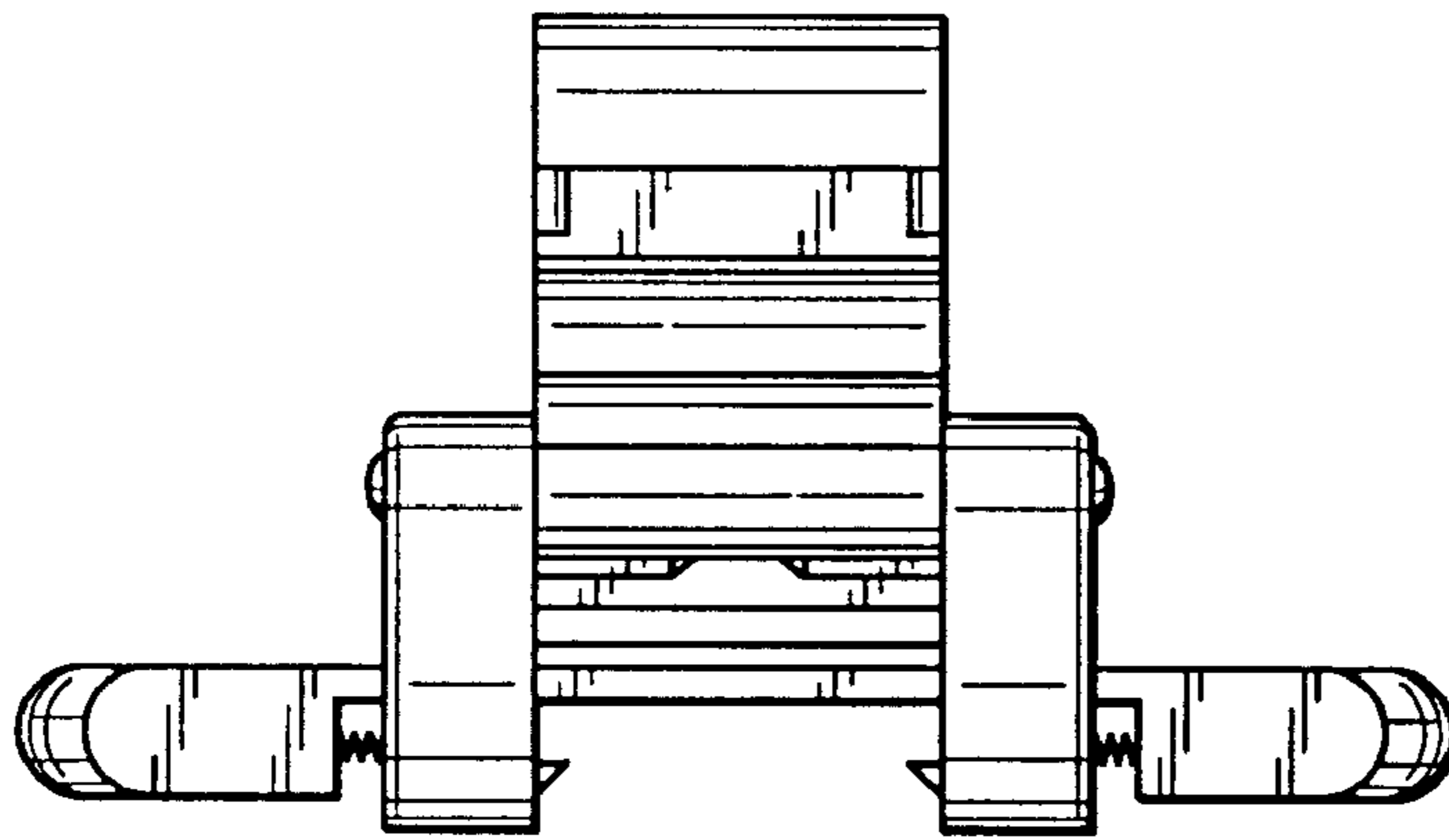


FIG. 6

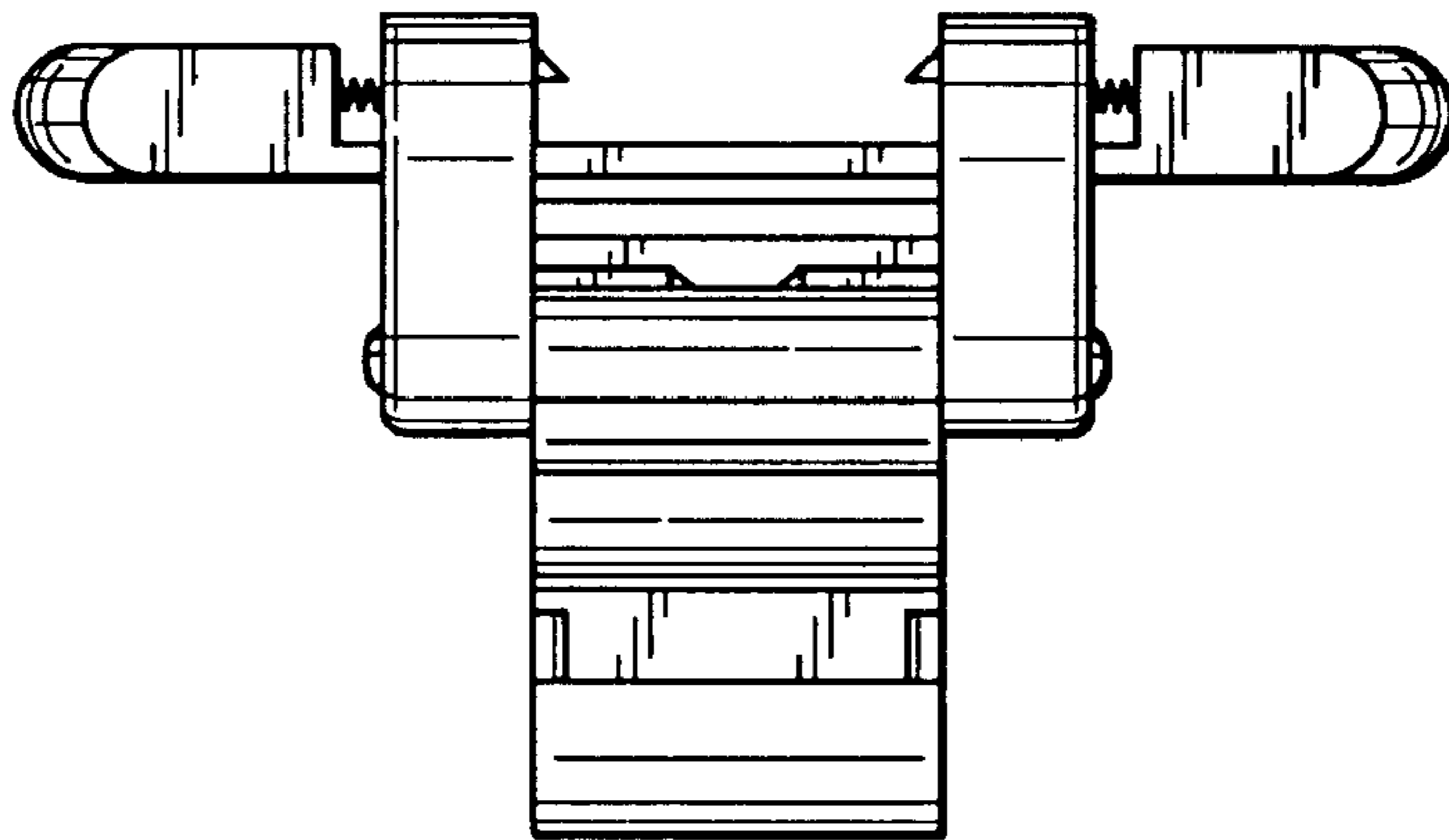


FIG. 7

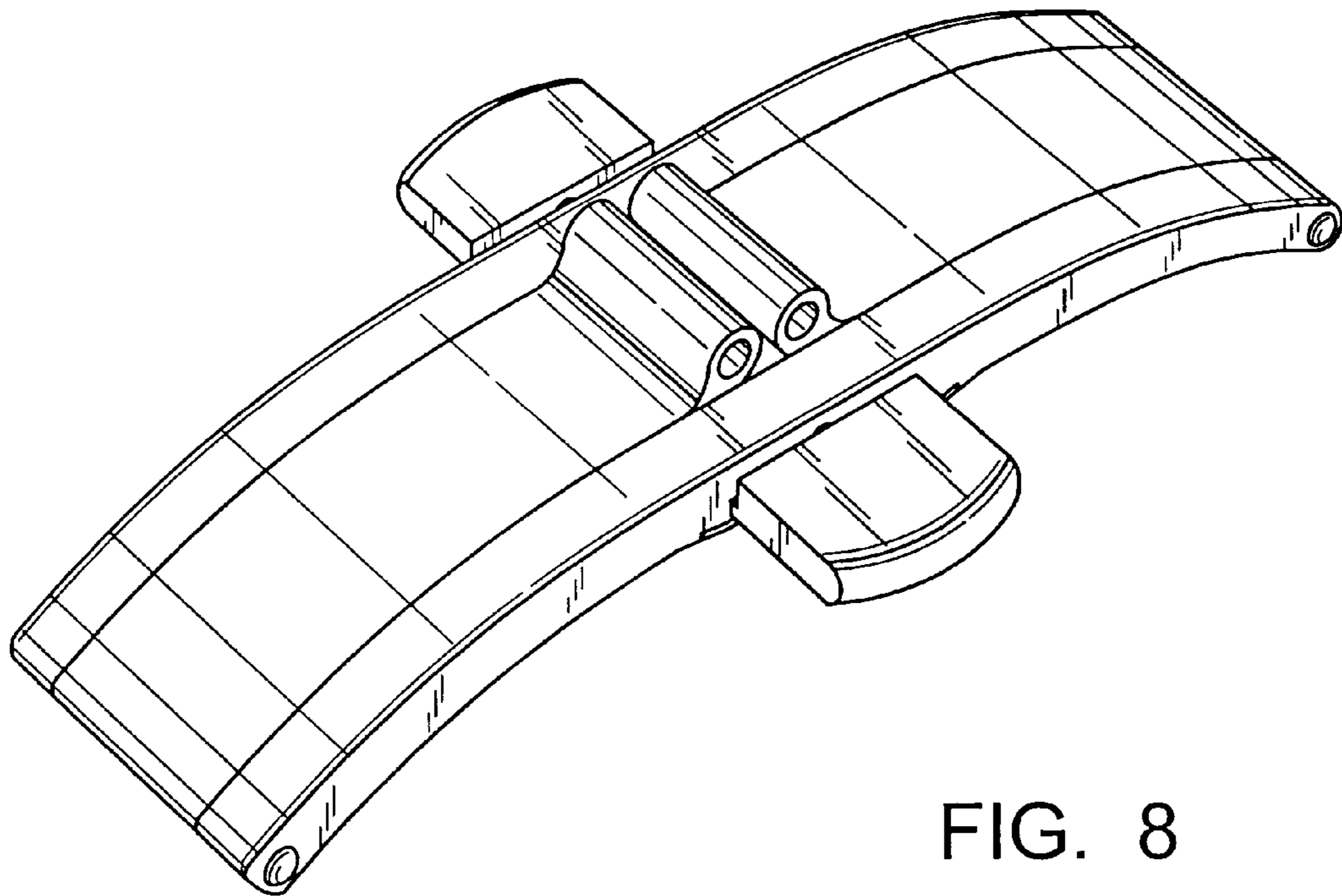


FIG. 8

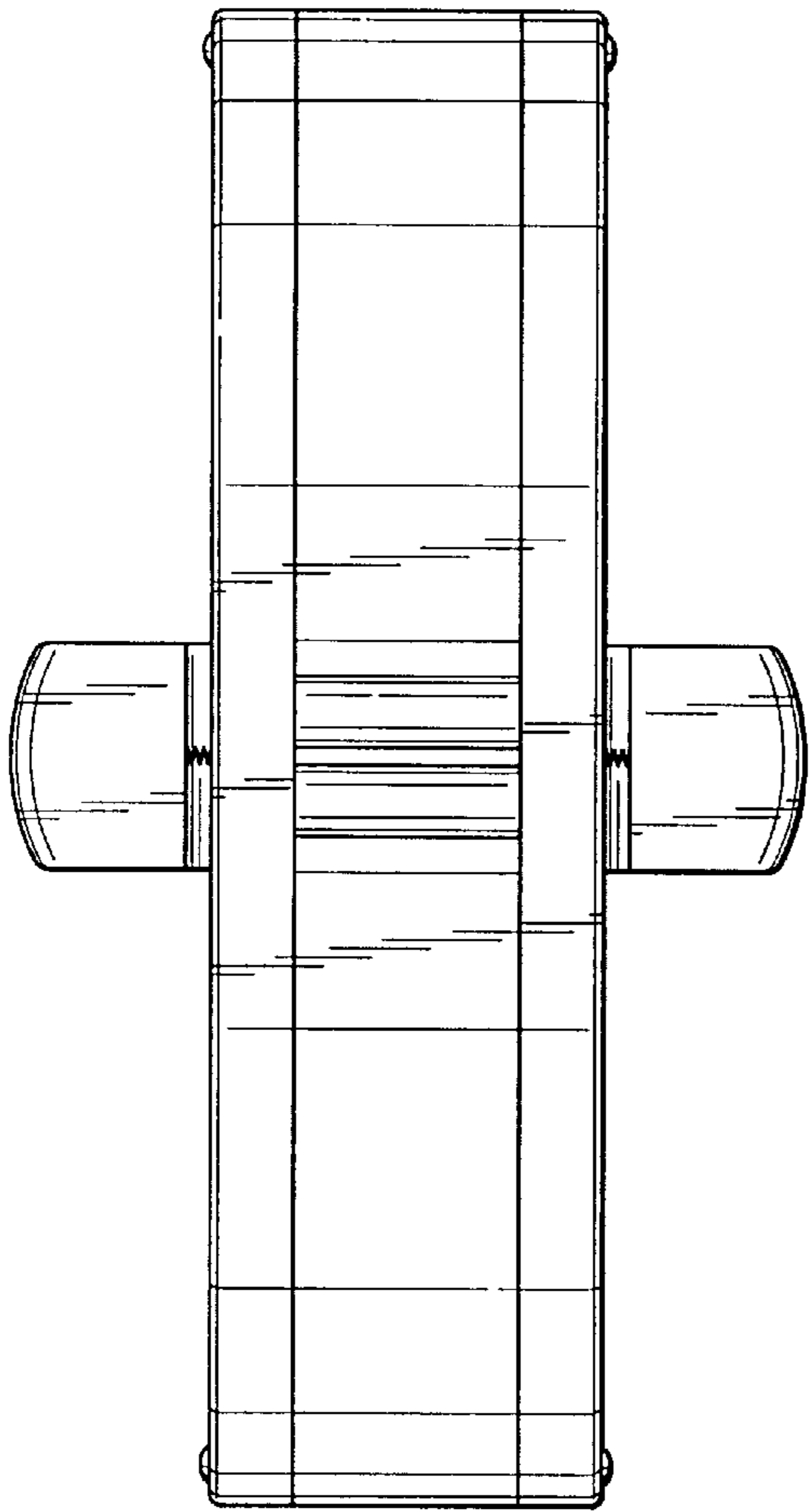


FIG. 9

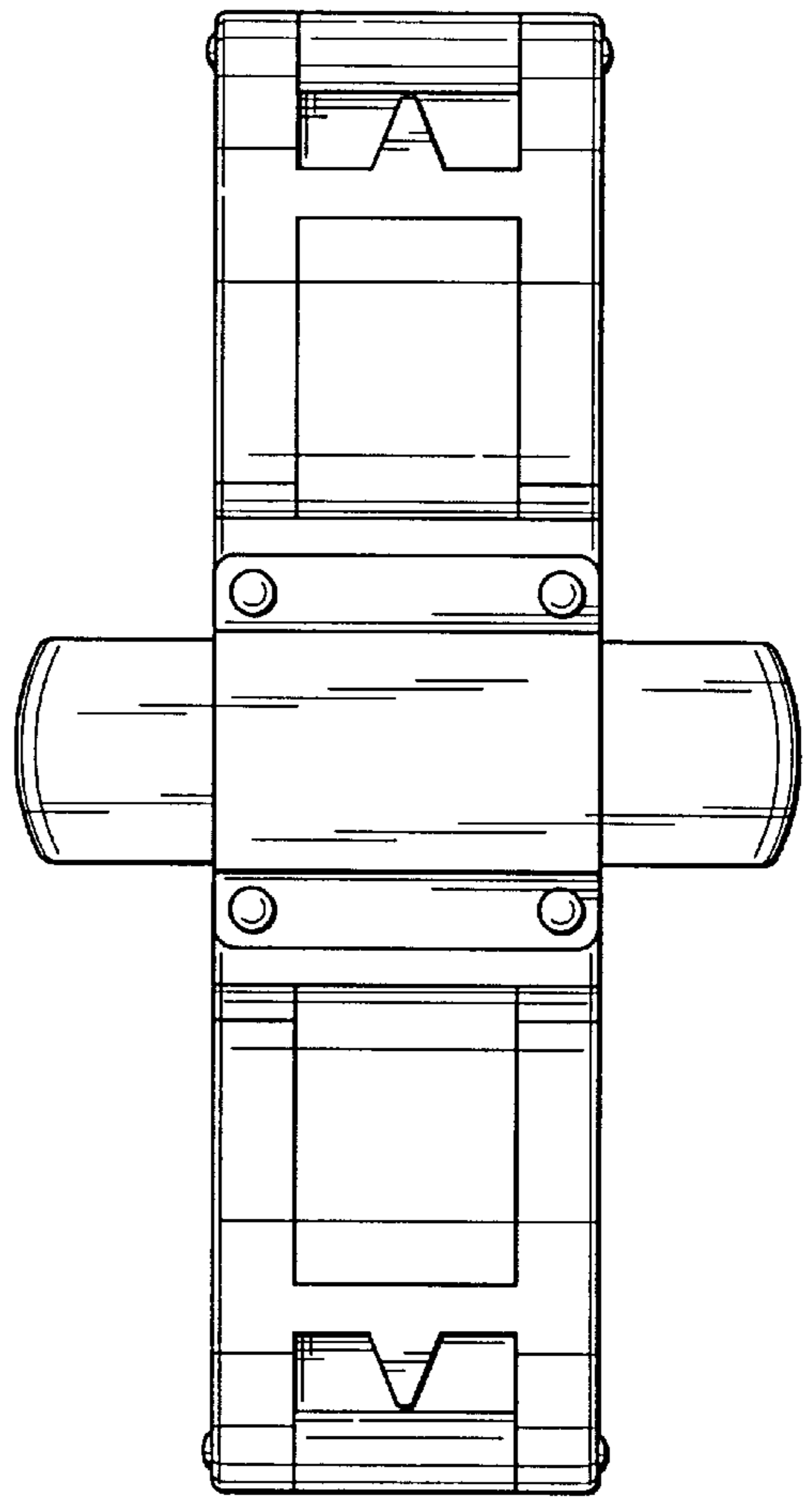


FIG. 10

FIG. 11

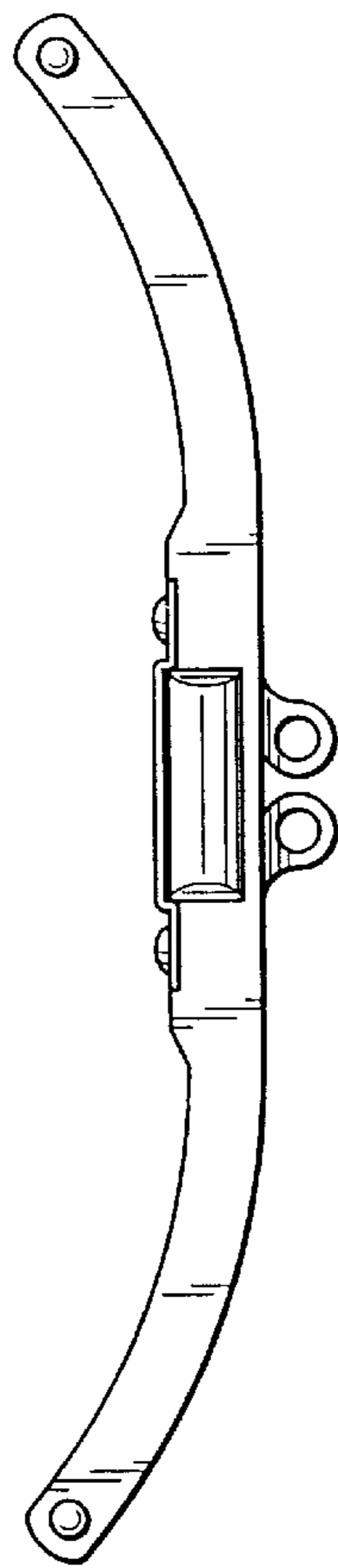


FIG. 12

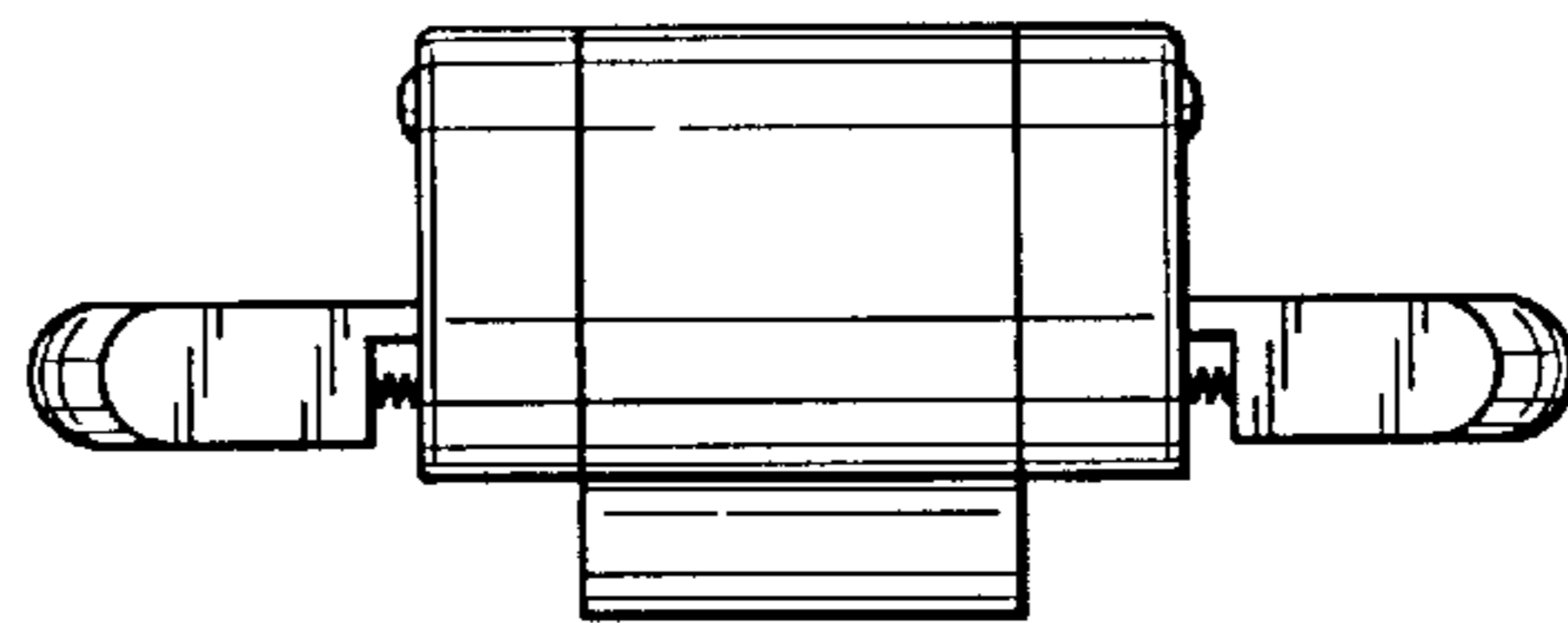
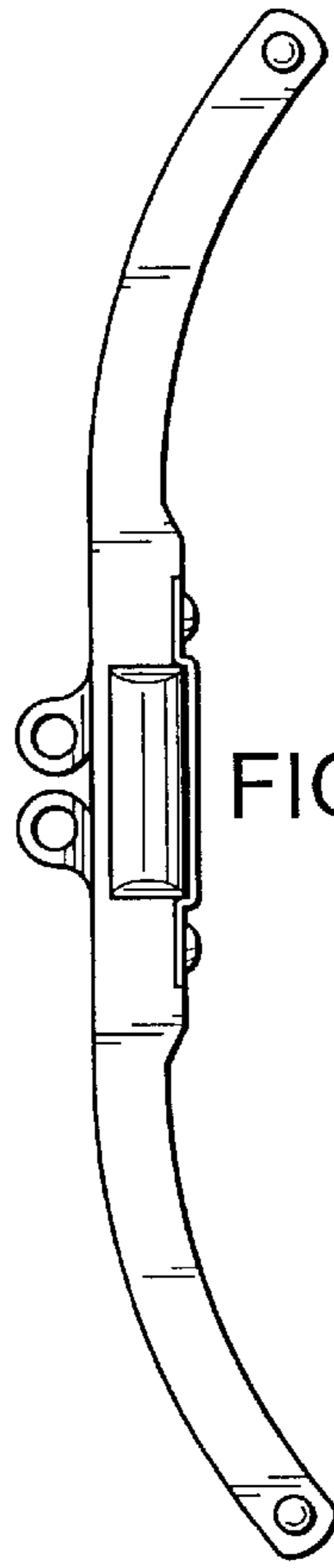


FIG. 13

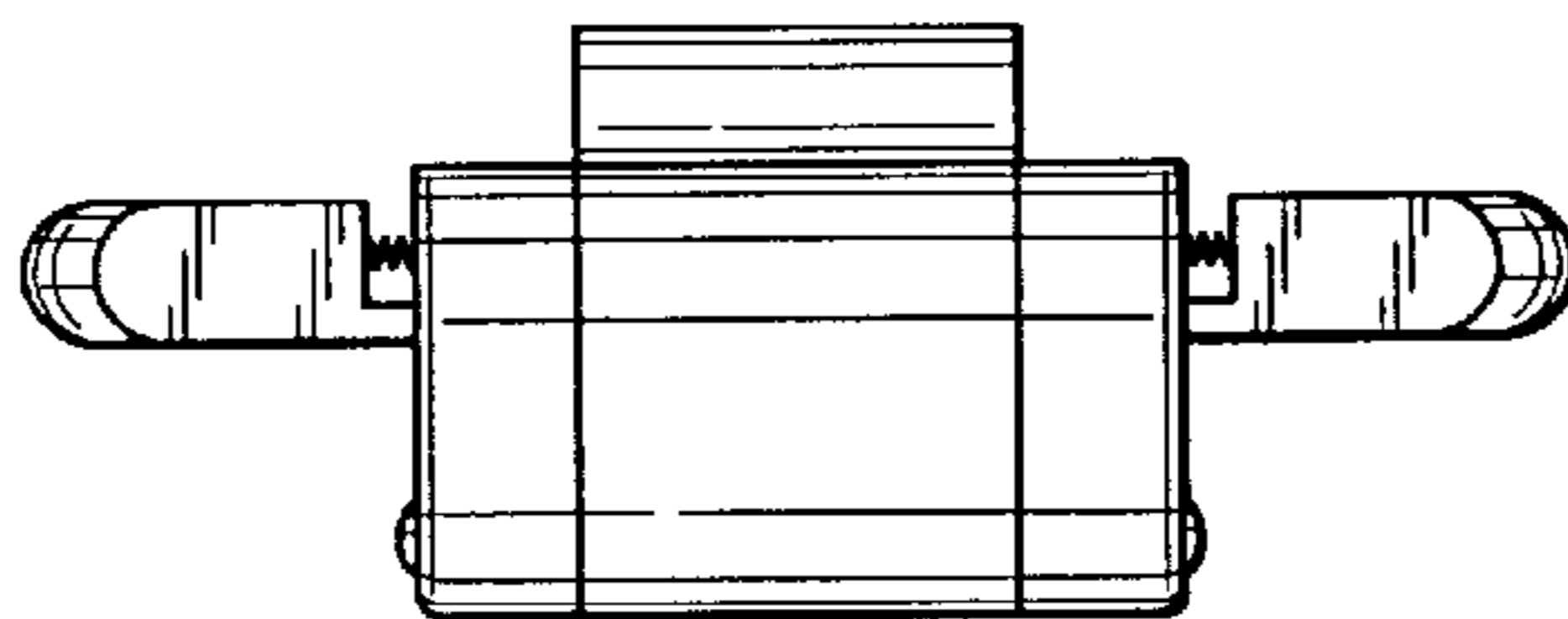


FIG. 14