



US00D469375S

(12) **United States Design Patent**
Cohen

(10) **Patent No.:** **US D469,375 S**

(45) **Date of Patent:** **** Jan. 28, 2003**

(54) **FOB**
(76) **Inventor:** **Wayne Cohen**, 44 Convent Road,
Silom, Bangrak, Bangkok (TH), 10500
(**) **Term:** **14 Years**

2,743,931 A 5/1956 Pooley et al. 473/600
D339,916 S * 10/1993 Behbahani D3/283
D398,714 S * 9/1998 Delfini D27/195
D421,372 S * 3/2000 Wysopal D8/38

(21) **Appl. No.:** **29/150,537**
(22) **Filed:** **Nov. 6, 2001**

OTHER PUBLICATIONS

Baseball "Item F" on p. 2 of the Chas. Schwartz and Son
Cat., May 6, 1963.

* cited by examiner

Related U.S. Application Data

(62) Division of application No. 29/127,379, filed on Aug. 3,
2000, now Pat. No. Des. 451,047.
(51) **LOC (7) Cl.** **11-01**
(52) **U.S. Cl.** **D11/81**
(58) **Field of Search** D11/1, 2, 43-50,
D11/54, 57, 58, 61, 65, 66, 79-83, 95-102,
107, 110, 116; D3/207-208; 24/3.6; 70/456 B,
456 R; 273/DIG. 20, 280; 473/594, 600;
D21/713; 63/13, 18-20, 23

Primary Examiner—Ralf Seifert
(74) *Attorney, Agent, or Firm*—Baker Botts LLP

(57) **CLAIM**

The ornamentation design for a fob, as shown and described.

(56) **References Cited**

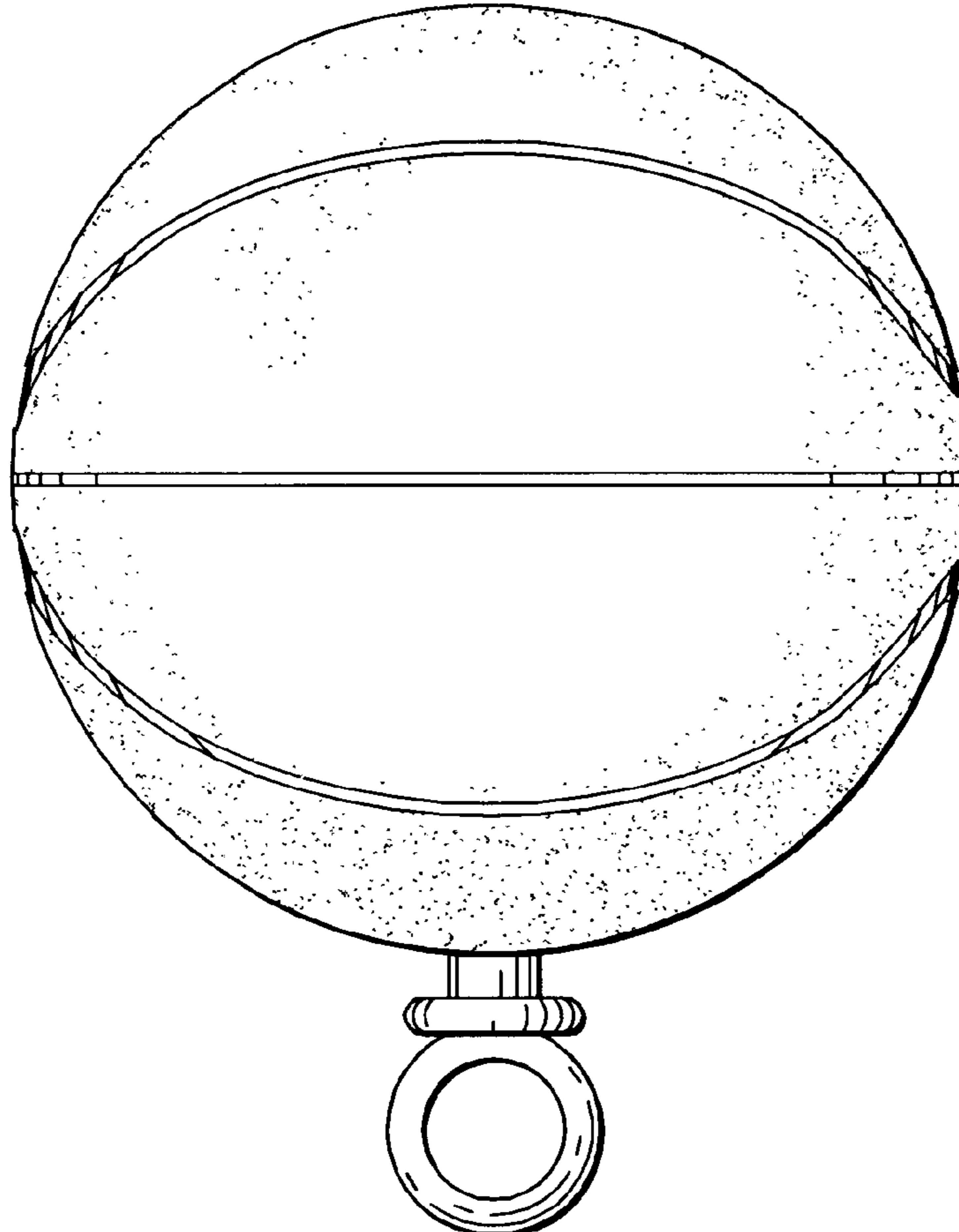
U.S. PATENT DOCUMENTS

D65,325 S * 7/1924 Brown D11/81
2,008,005 A * 7/1935 Chilson 63/23

DESCRIPTION

FIG. 1 is a front plan elevation view of a fob according to
my new design.
FIG. 2 is a top view thereof.
FIG. 3 is a bottom view thereof; and,
FIG. 4 is a right side elevation plan view thereof.
The rear elevation plan view is the same as the front
elevation plan view; the left side plan elevation view is the
same as the right side plan elevation view.

1 Claim, 1 Drawing Sheet



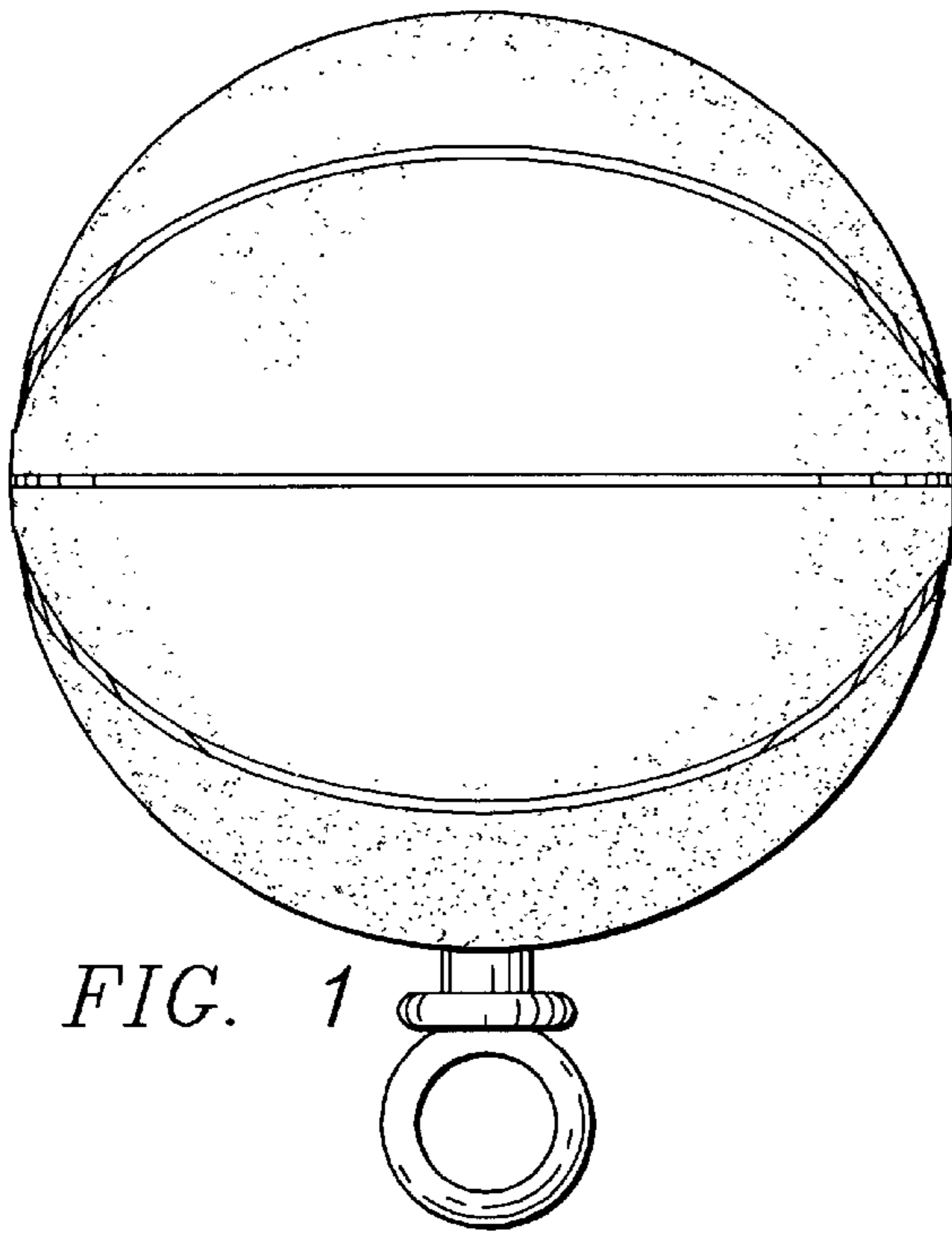


FIG. 1

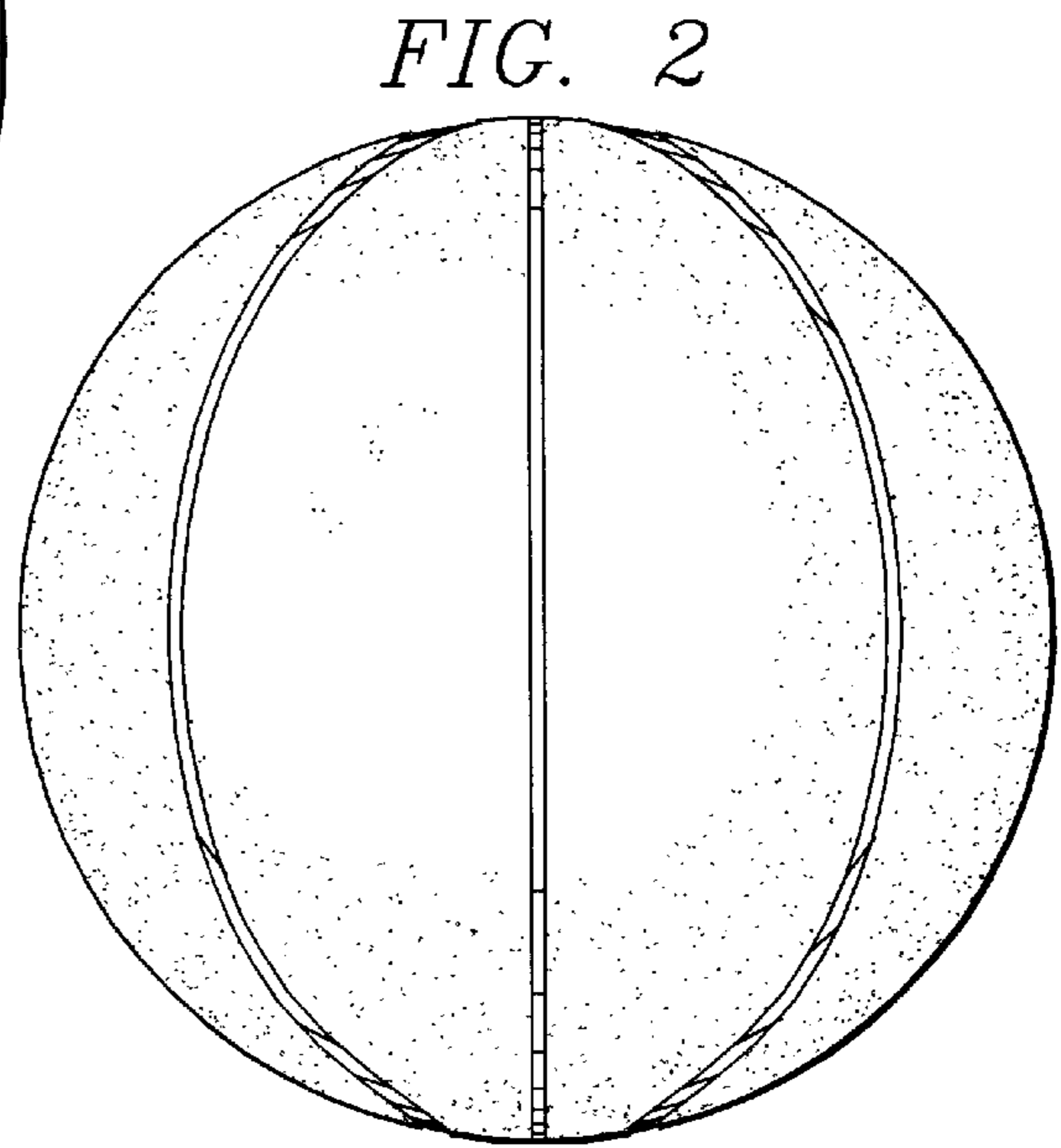


FIG. 2

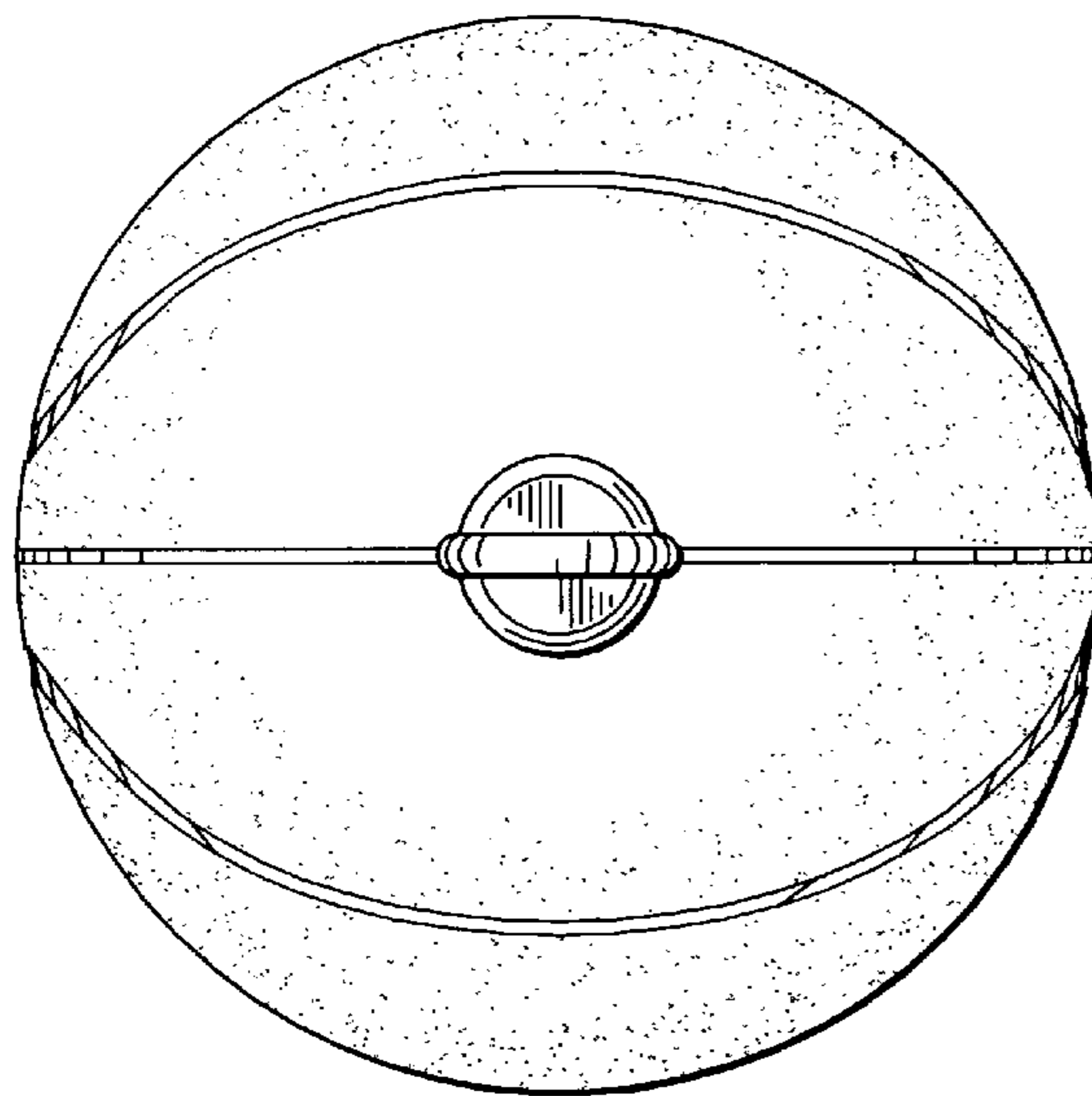


FIG. 3

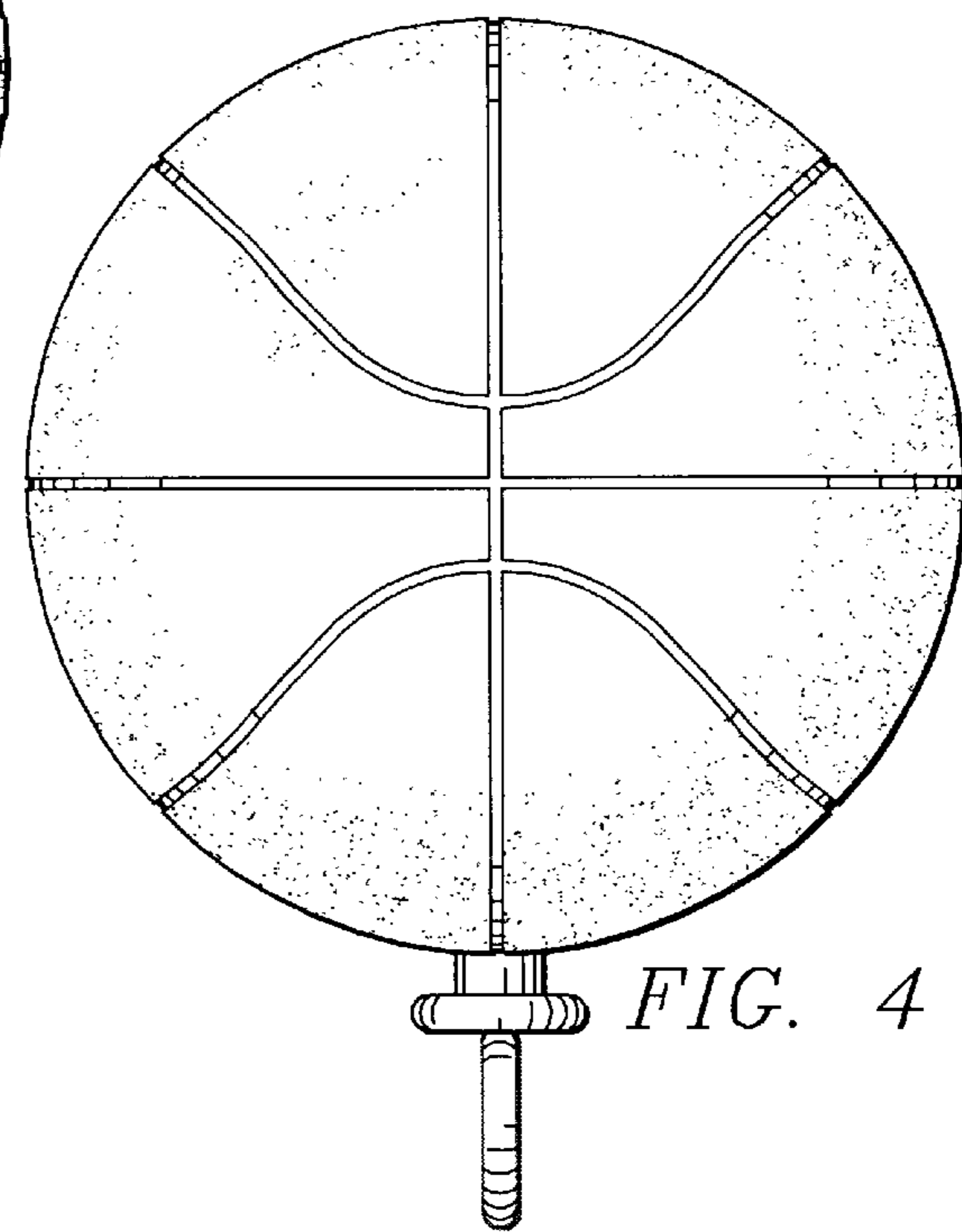


FIG. 4