



US00D469372S

(12) **United States Design Patent**  
**Schultz**

(10) **Patent No.:** **US D469,372 S**

(45) **Date of Patent:** **\*\* Jan. 28, 2003**

(54) **GAUGE MOUNT**

(76) **Inventor:** **Ernest Robert Schultz**, 560 SW. Ruby St., Madras, OR (US) 97741

(\*\*) **Term:** **14 Years**

(21) **Appl. No.:** **29/156,592**

(22) **Filed:** **Feb. 27, 2002**

(51) **LOC (7) Cl.** ..... **10-04**

(52) **U.S. Cl.** ..... **D10/103**

(58) **Field of Search** ..... D10/103; 73/3, 73/4 R, 272 R, 273, 431, 865.1, 861.02, 861.03, 382 R; 359/808-810, 895, 525, 636, 821, 533, 528

(56) **References Cited**

**U.S. PATENT DOCUMENTS**

D228,525 S \* 10/1973 Buckley ..... D10/103

D356,273 S \* 3/1995 Pijut ..... D10/103

\* cited by examiner

*Primary Examiner*—Antoine Duval Davis

(74) *Attorney, Agent, or Firm*—Glenn C. Brown; Glenn C. Brown, P.C.

(57) **CLAIM**

The ornamental design for gauge mount, as shown and described.

**DESCRIPTION**

FIG. 1 is a perspective view of a gauge mount, showing my new design;

FIG. 2 is a top plan view thereof;

FIG. 3 is a bottom view thereof;

FIG. 4 is a front elevational view thereof;

FIG. 5 is a rear elevational view thereof; and,

FIG. 6 is a side elevational right side view, the left side elevational view being a mirror image thereof.

**1 Claim, 2 Drawing Sheets**

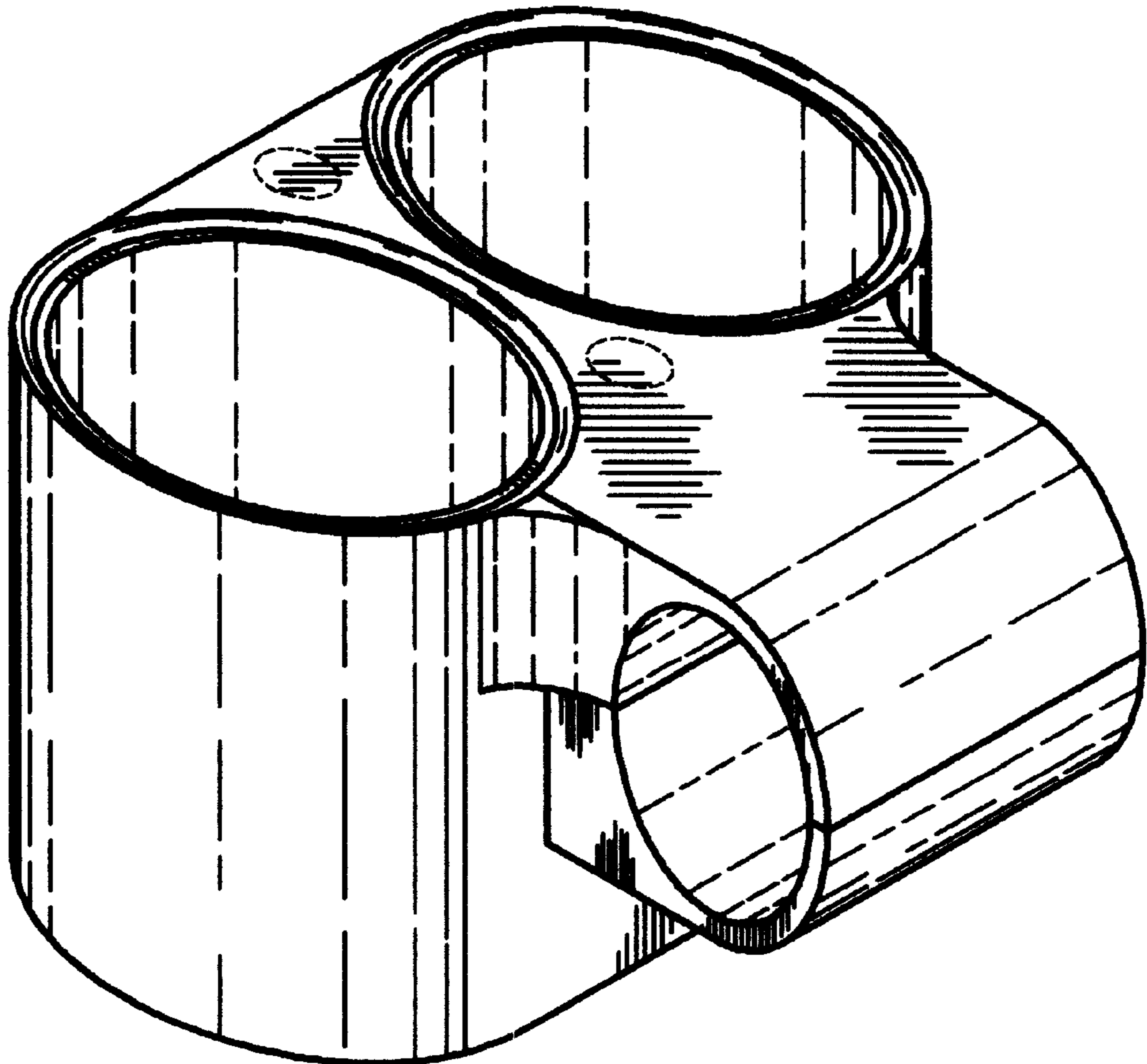


Fig. 1

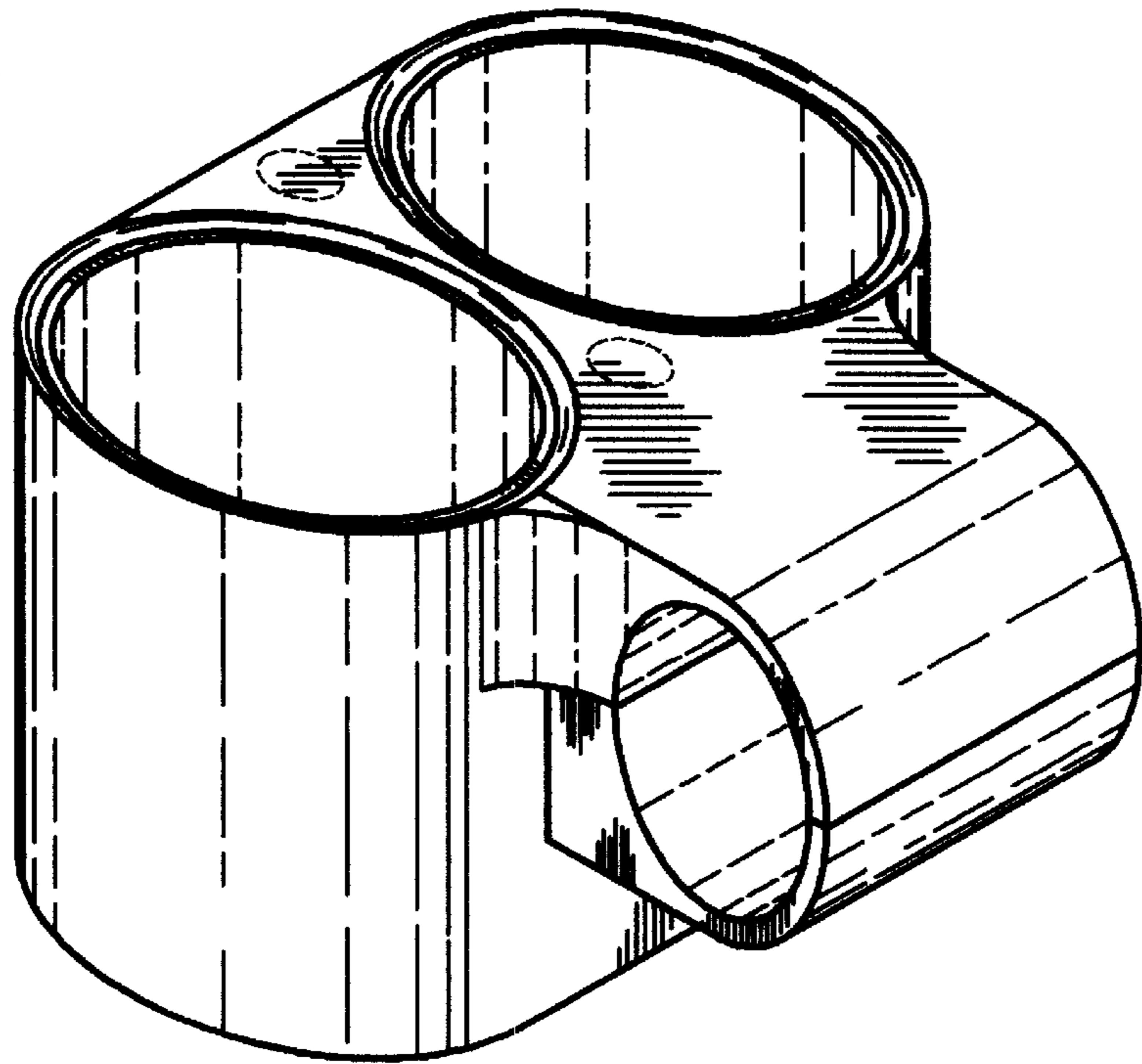


Fig. 2

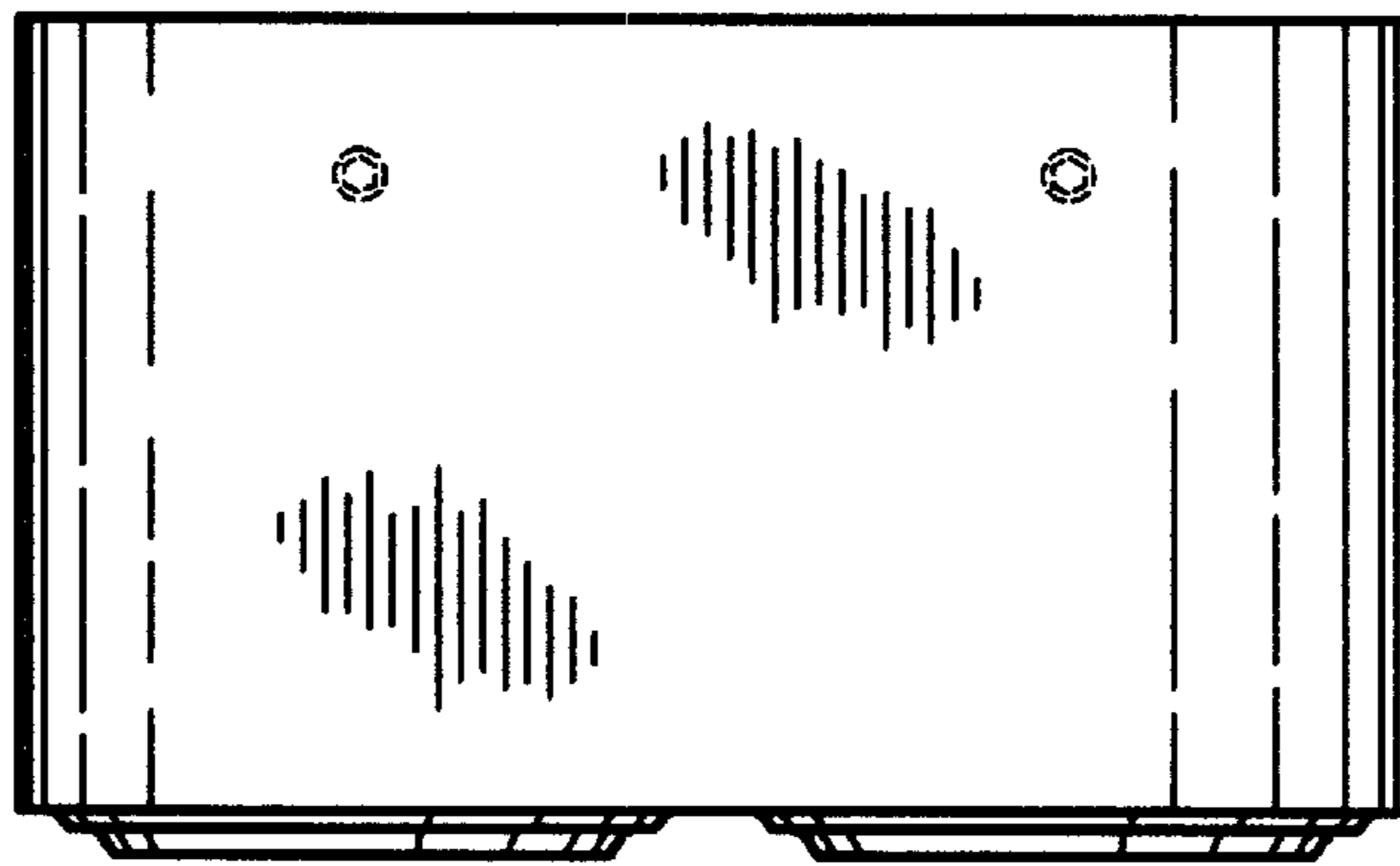


Fig. 3

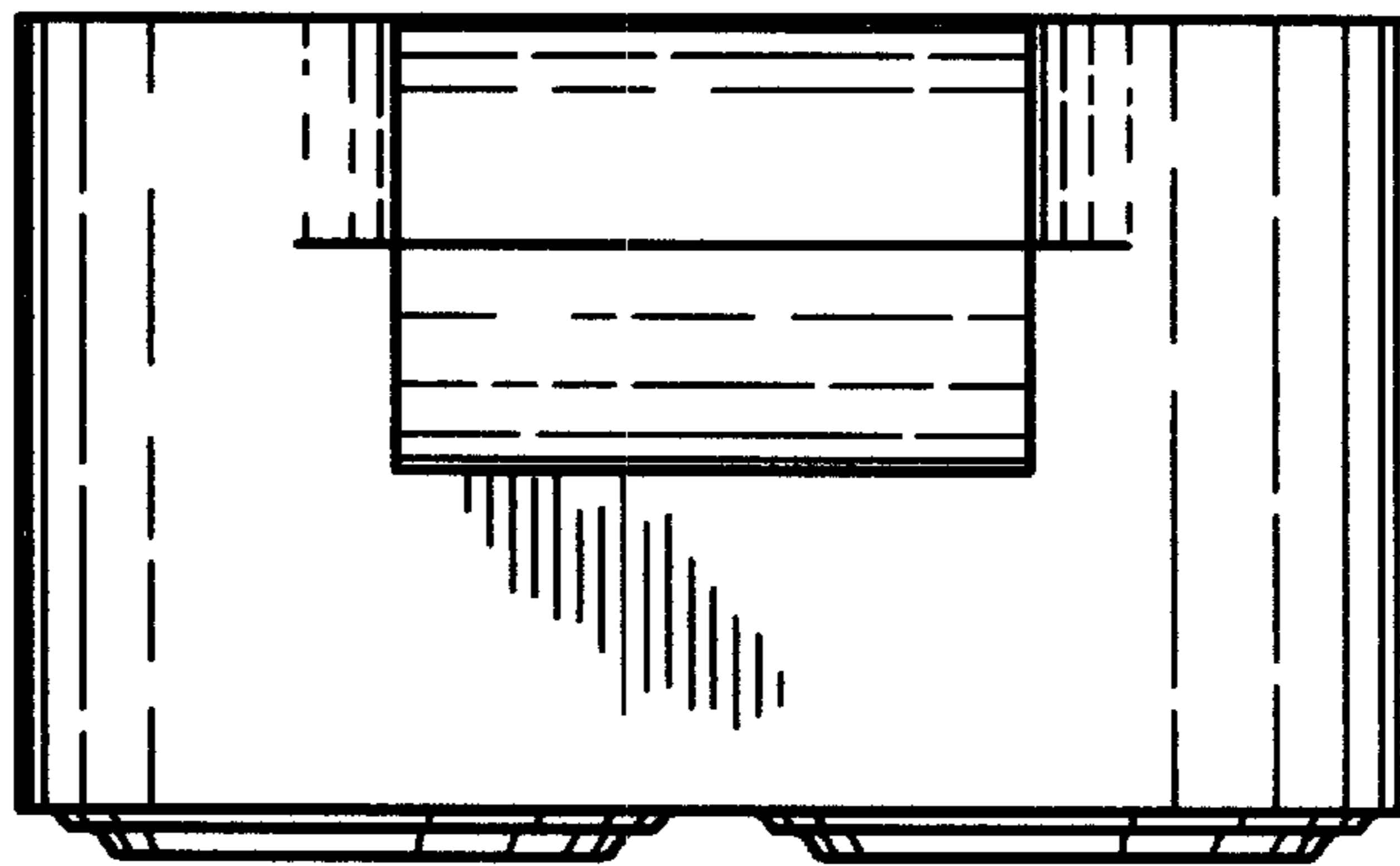


Fig. 4

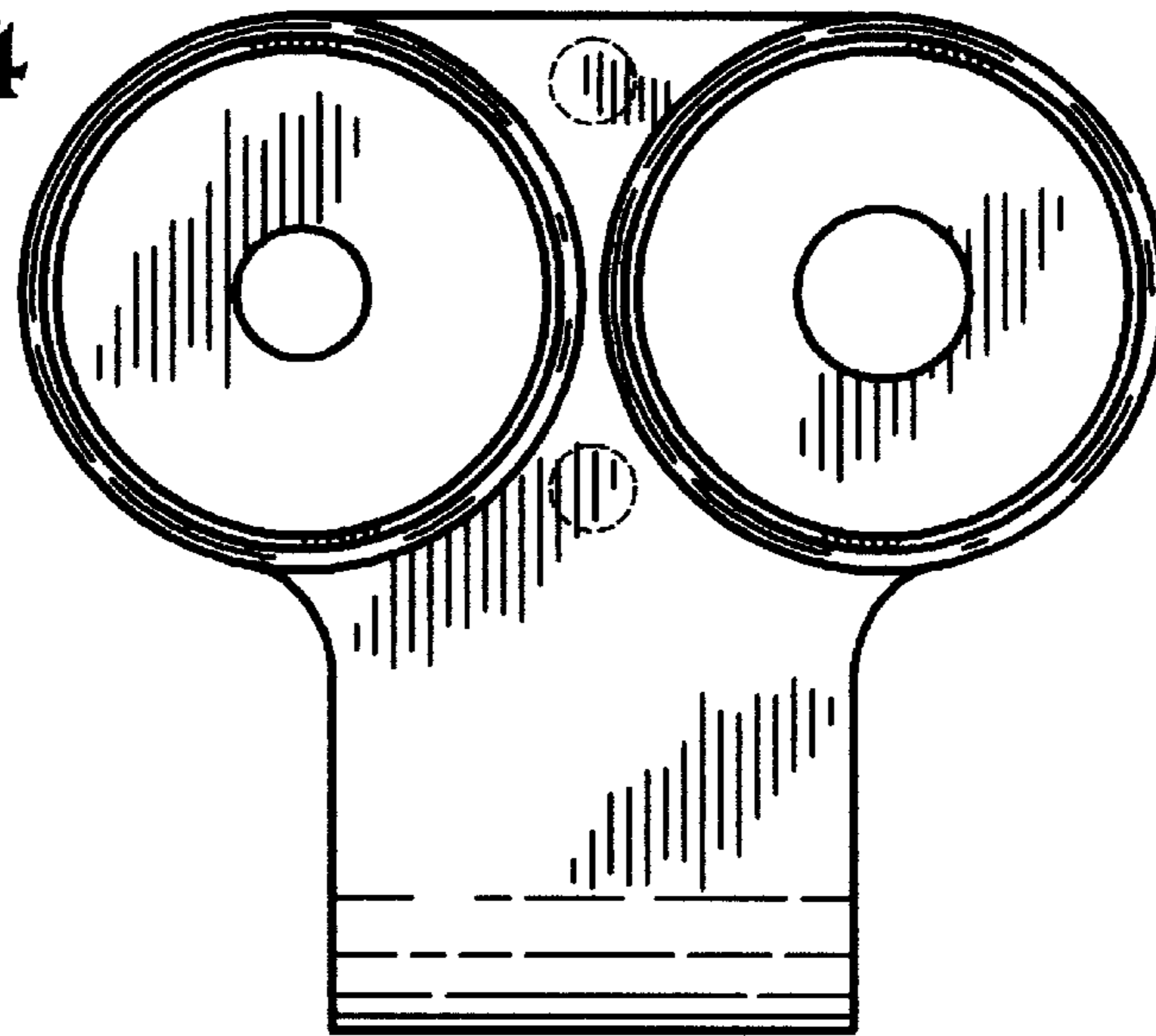


Fig. 5

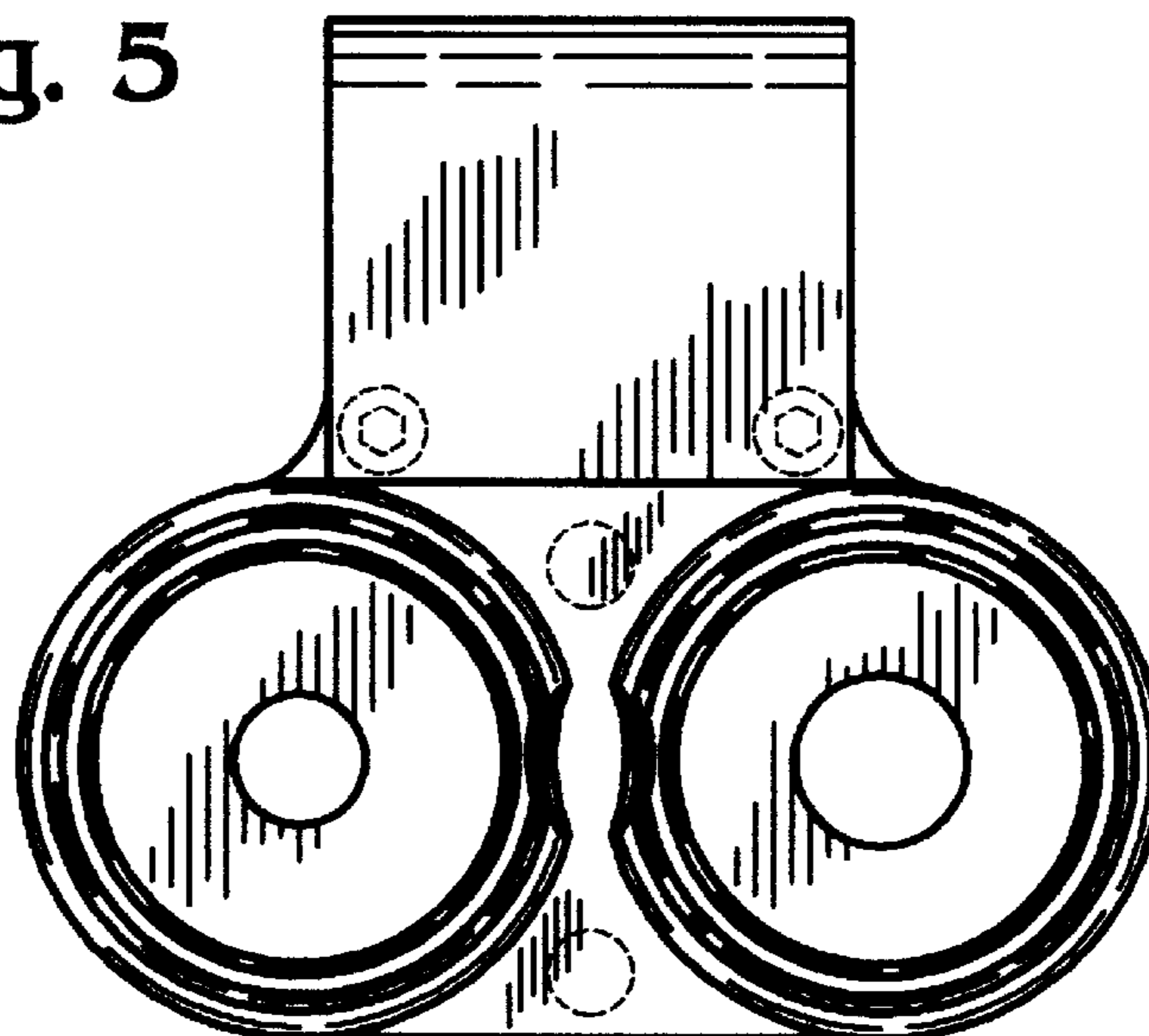


Fig. 6

