



US00D469370S

(12) **United States Design Patent**  
**Gruetzmacher et al.**

(10) **Patent No.:** **US D469,370 S**

(45) **Date of Patent:** **\*\* Jan. 28, 2003**

(54) **TORPEDO LEVEL**

(75) **Inventors:** **Richard J. Gruetzmacher**, Colgate, WI (US); **Dale S. Di Iillio**, Oak Creek, WI (US); **Jesse D. Cotterman**, Grafton, WI (US)

(73) **Assignee:** **Johnson Level & Tool Mfg. Co., Inc.**, Mequon, WI (US)

(\*\*) **Term:** **14 Years**

(21) **Appl. No.:** **29/154,487**

(22) **Filed:** **Oct. 25, 2001**

(51) **LOC (7) Cl.** ..... **10-04**

(52) **U.S. Cl.** ..... **D10/69**

(58) **Field of Search** ..... D10/69; 33/368-390

(56) **References Cited**

**U.S. PATENT DOCUMENTS**

- 1,061,638 A 5/1913 McGrath
- 2,541,880 A 2/1951 McMillan et al.
- D168,401 S 12/1952 Harris
- 2,634,509 A 4/1953 Roberts
- 2,789,363 A 4/1957 Miley
- 2,813,349 A 11/1957 Harris
- 2,944,144 A 7/1960 Naylor
- 3,166,855 A 1/1965 Erritt
- 3,180,035 A 4/1965 Olexson et al.
- D224,663 S 8/1972 de Jong
- D236,959 S 9/1975 Wright
- 4,407,075 A 10/1983 MacDermott et al.

- 4,506,450 A 3/1985 Fleming et al.
- D280,185 S 8/1985 Wright
- 4,829,676 A 5/1989 Waldron
- D301,553 S 6/1989 Makofsky et al.
- 4,876,798 A 10/1989 Zimmerman
- 5,103,569 A 4/1992 Leatherwood
- D332,226 S 1/1993 Hutchins et al.
- D355,134 S 2/1995 Kennedy
- D371,309 S 7/1996 Webb
- D389,758 S 1/1998 Motamed
- 5,755,037 A 5/1998 Stevens
- D412,857 S 8/1999 Howard et al.
- D438,477 S 3/2001 Douglas
- 6,360,446 B1 3/2002 Bijawat et al.

*Primary Examiner*—Antoine Duval Davis  
(74) *Attorney, Agent, or Firm*—Boyle, Fredrickson, Newholm, Stein & Gratz, S.C.

(57) **CLAIM**

The ornamental design for a torpedo level, as shown and described.

**DESCRIPTION**

FIG. 1 is an isometric view illustrating a torpedo level incorporating our new design, wherein areas illustrated in phantom form no part of the claimed design; FIG. 2 is an elevation view of one side thereof; FIG. 3 is a top plan view thereof; FIG. 4 is an elevation view of the opposite side thereof; FIG. 5 is a bottom plan view thereof; and, FIG. 6 is an end elevation view thereof.

**1 Claim, 3 Drawing Sheets**

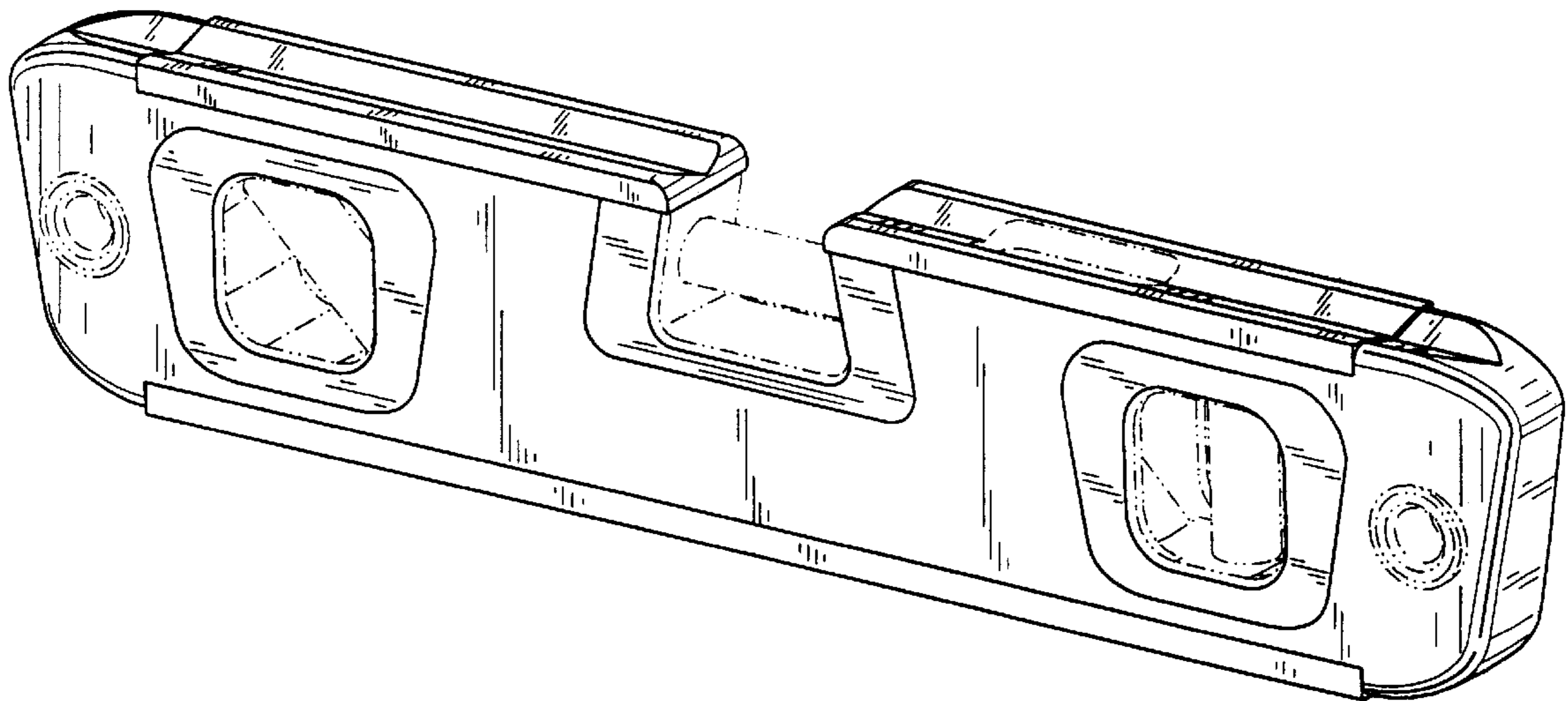


FIG. 1

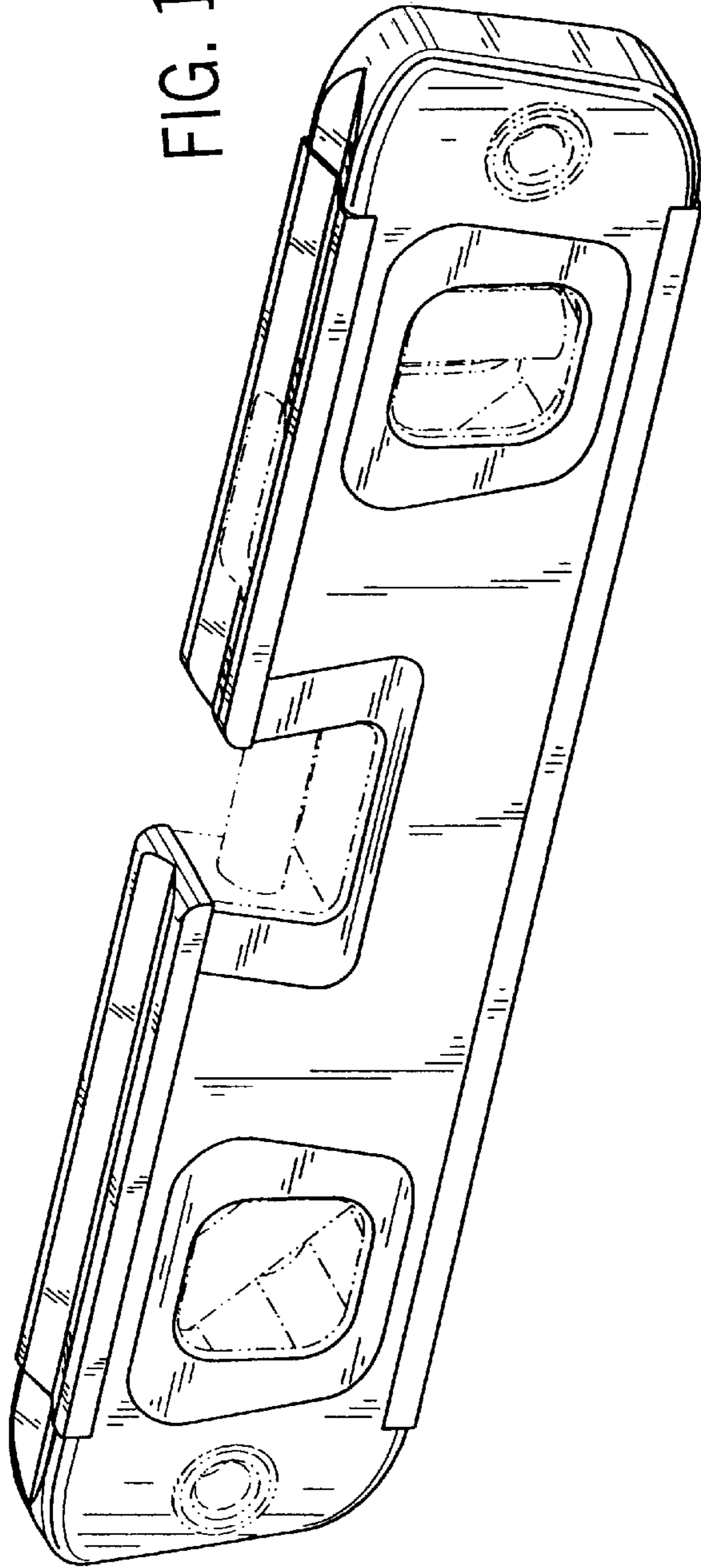
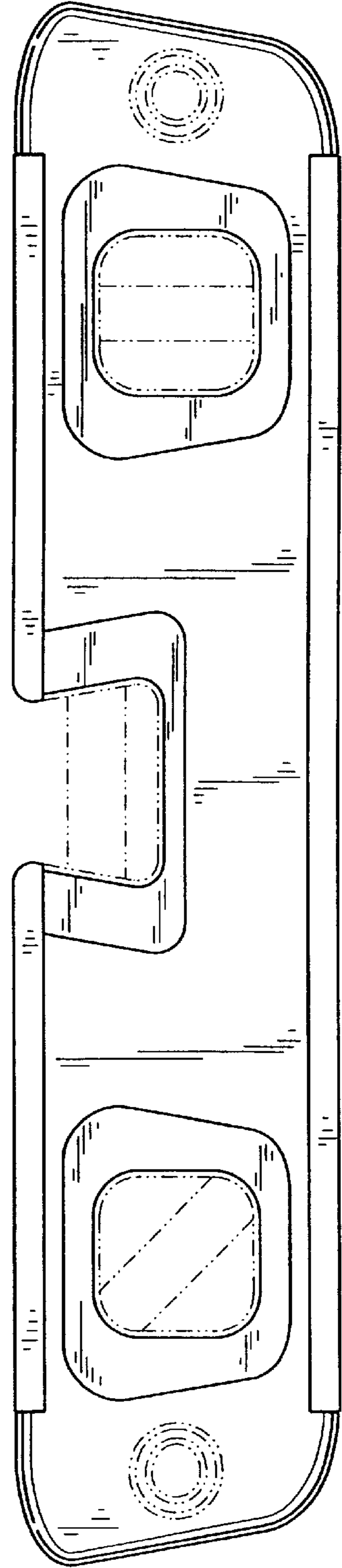


FIG. 2



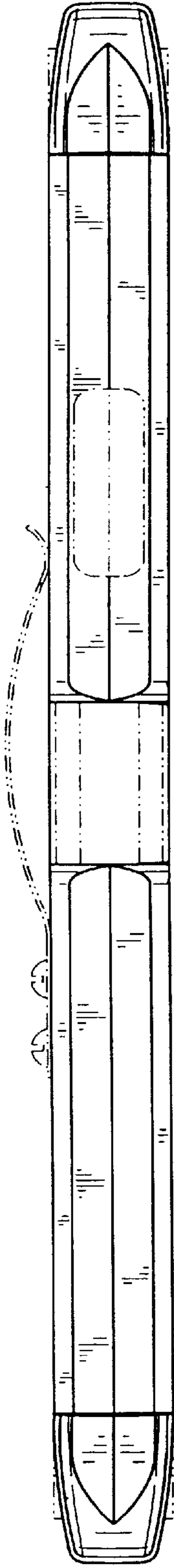


FIG. 3

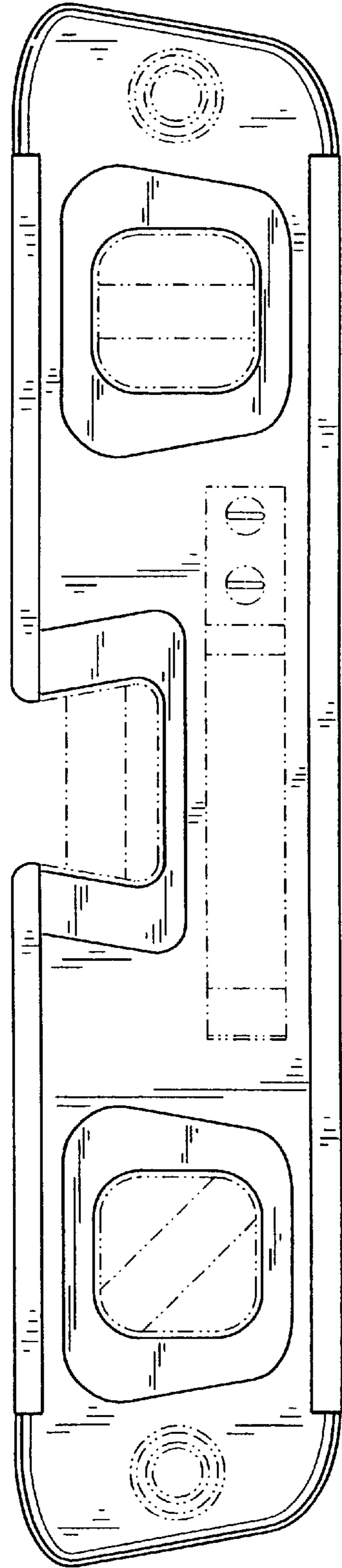


FIG. 4

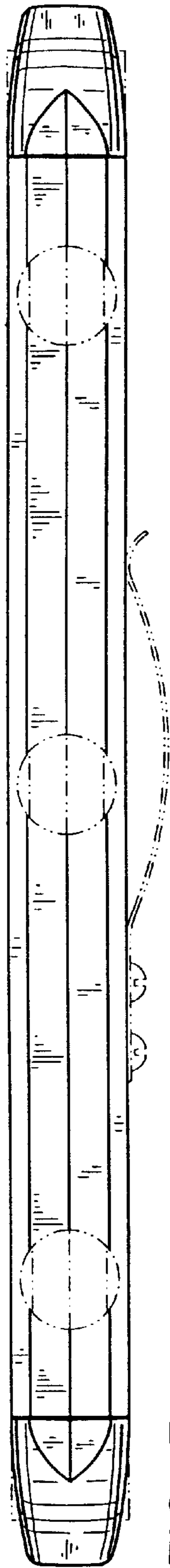


FIG. 5

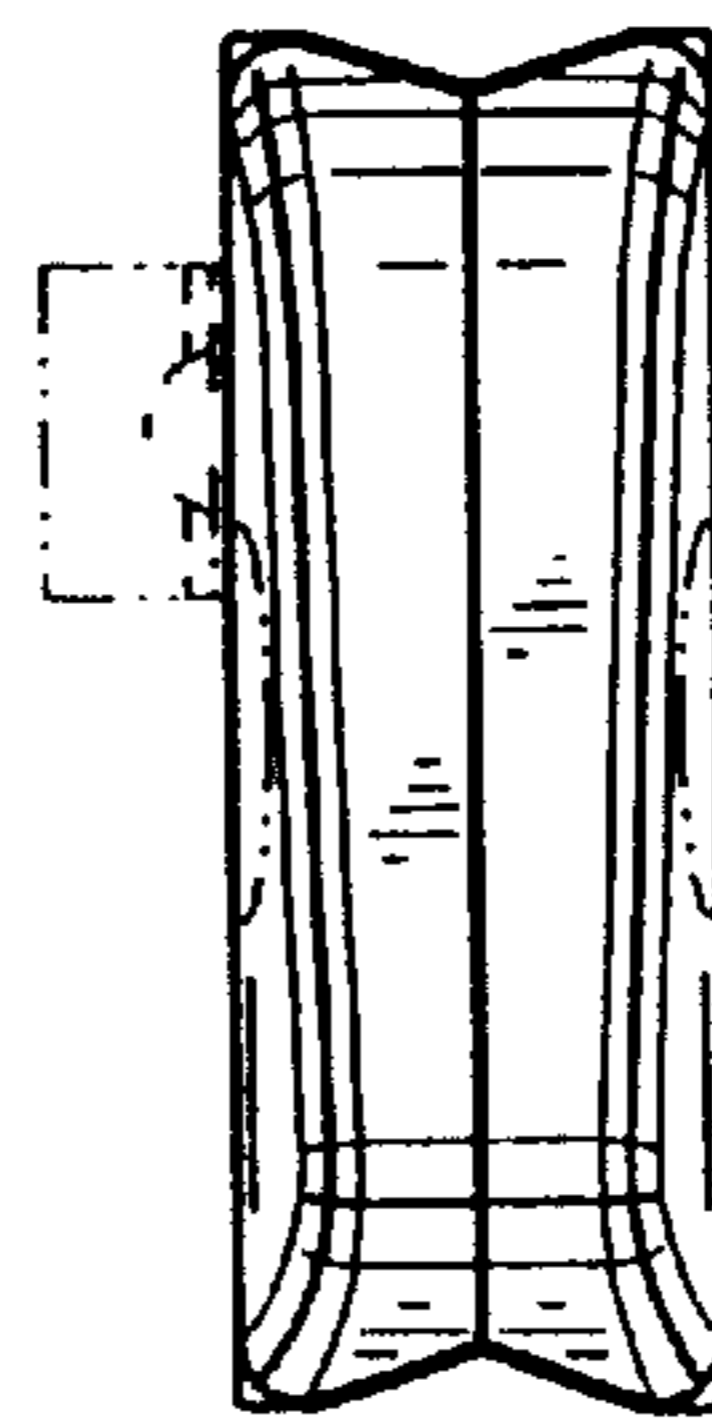


FIG. 6