



US00D469369S

(12) **United States Design Patent**
Durkin

(10) **Patent No.:** **US D469,369 S**

(45) **Date of Patent:** **** Jan. 28, 2003**

(54) **ROTARY LASER LEVEL HOUSING**

(75) **Inventor:** **William L. Durkin**, Appleton, WI (US)

(73) **Assignee:** **David White Instruments, LLC**,
Waukegan, IL (US)

(**) **Term:** **14 Years**

(21) **Appl. No.:** **29/153,471**

(22) **Filed:** **Jan. 8, 2002**

(51) **LOC (7) Cl.** **10-04**

(52) **U.S. Cl.** **D10/69; D10/66**

(58) **Field of Search** **D10/69, 66; 33/291,**
33/295, DIG. 21; 356/138, 249, 250; 372/9-30

(56) **References Cited**

U.S. PATENT DOCUMENTS

4,854,703 A	8/1989	Ammann	
4,993,161 A	2/1991	Borkovitz	
5,148,018 A	9/1992	Ammann	
5,208,438 A	5/1993	Underberg	
6,338,681 B1 *	1/2002	Lin	33/290
6,407,803 B1 *	6/2002	Schrank	356/4.01

OTHER PUBLICATIONS

David White, Inc., AEL-900 Rotary Laser Level Housing, (six sheets).

* cited by examiner

Primary Examiner—Antoine Duval Davis

(74) *Attorney, Agent, or Firm*—Michael Best & Friedrich LLP

(57) **CLAIM**

The ornamental design for a rotary laser level housing, as shown and described.

DESCRIPTION

FIG. 1 is a front view of a rotary laser level housing embodying the present invention.

FIG. 2 is a right side view of the rotary laser level housing.

FIG. 3 is a rear view of the rotary laser level housing.

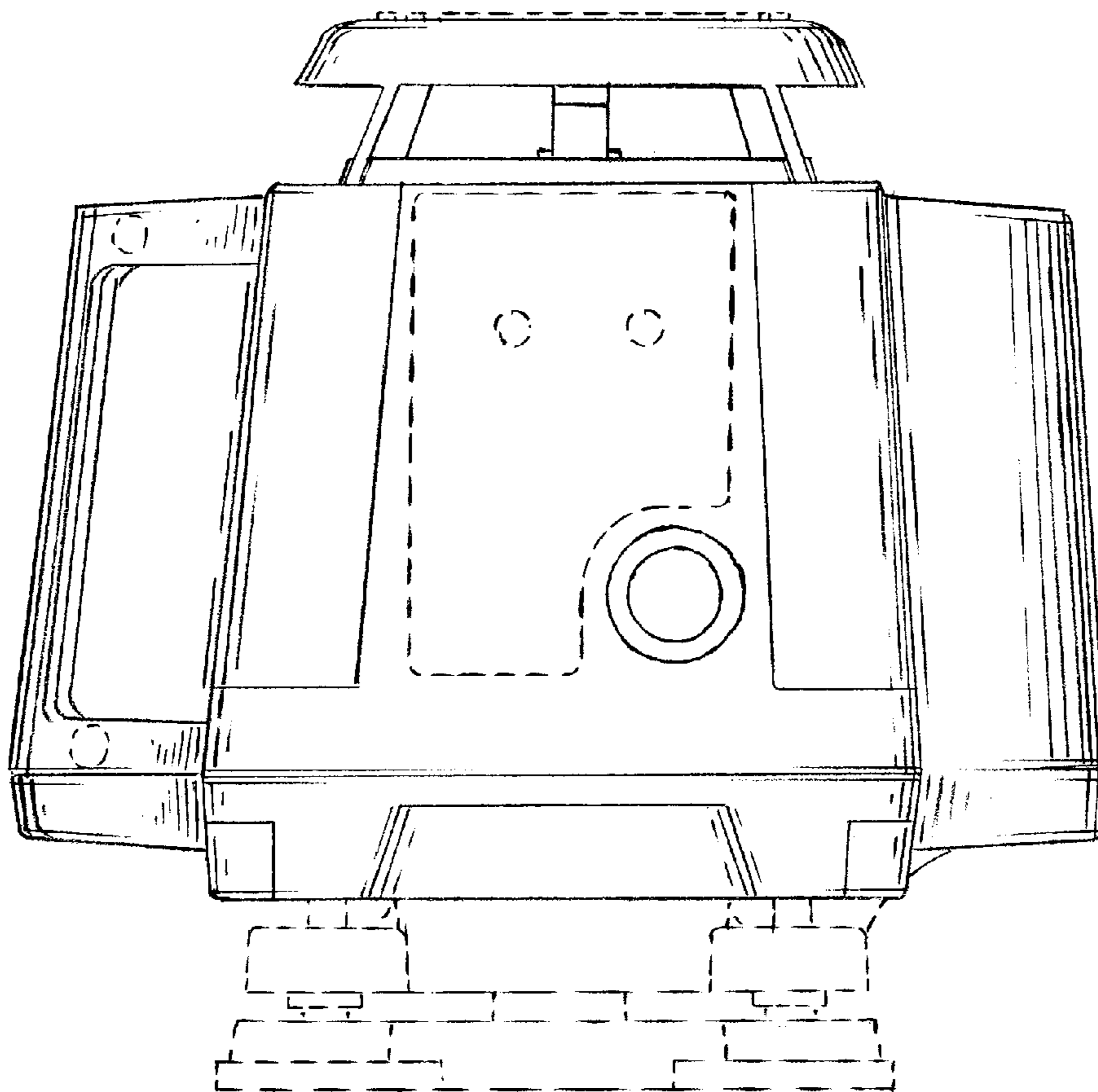
FIG. 4 is a left side view of the rotary laser level housing.

FIG. 5 is a top view of the rotary laser level housing; and,

FIG. 6 is a bottom view of the rotary laser level housing.

The portions of the rotary laser level housing in broken lines are shown, as environment or for illustrative purposes only and form no part of the claimed design.

1 Claim, 3 Drawing Sheets



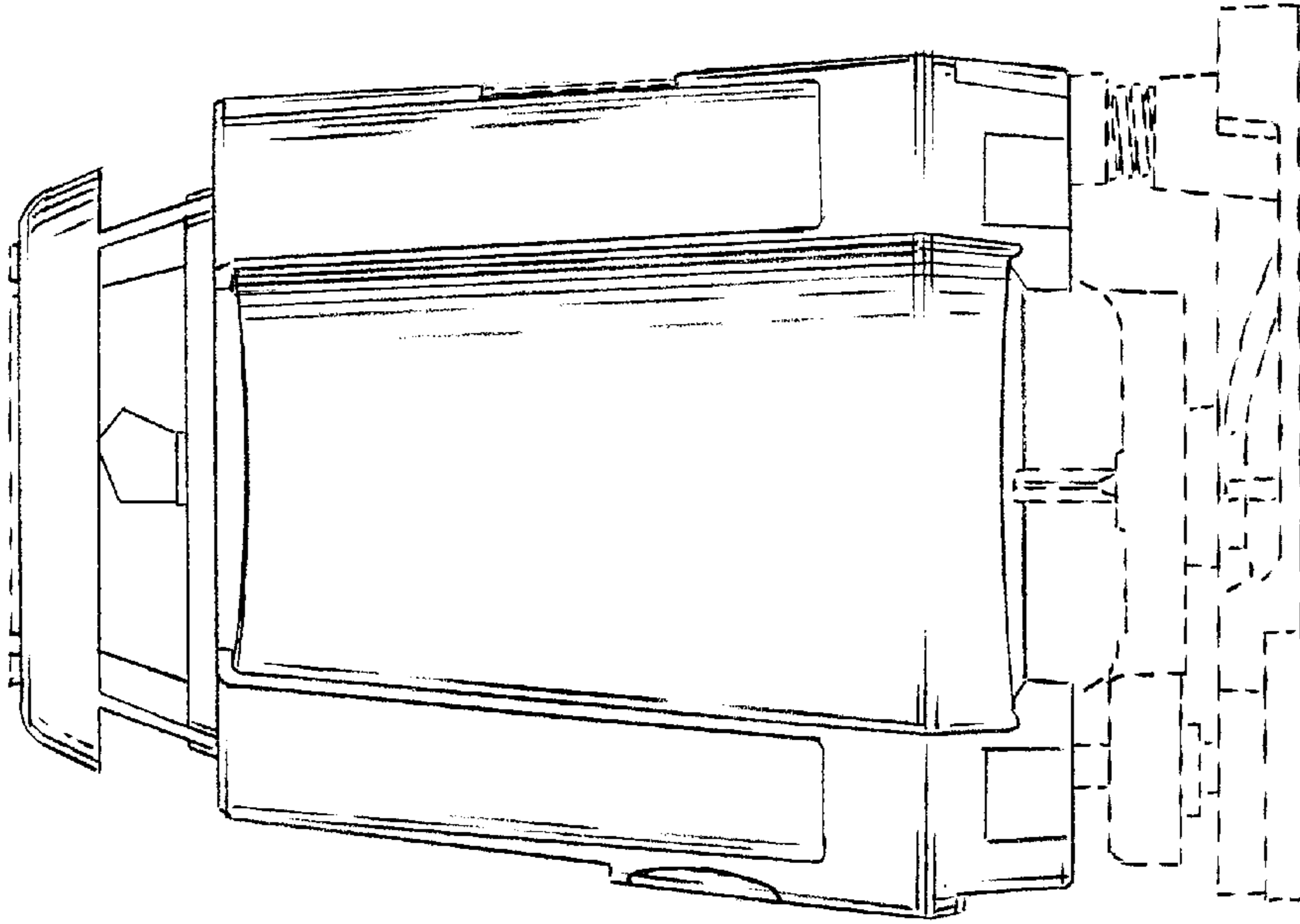


FIG. 2

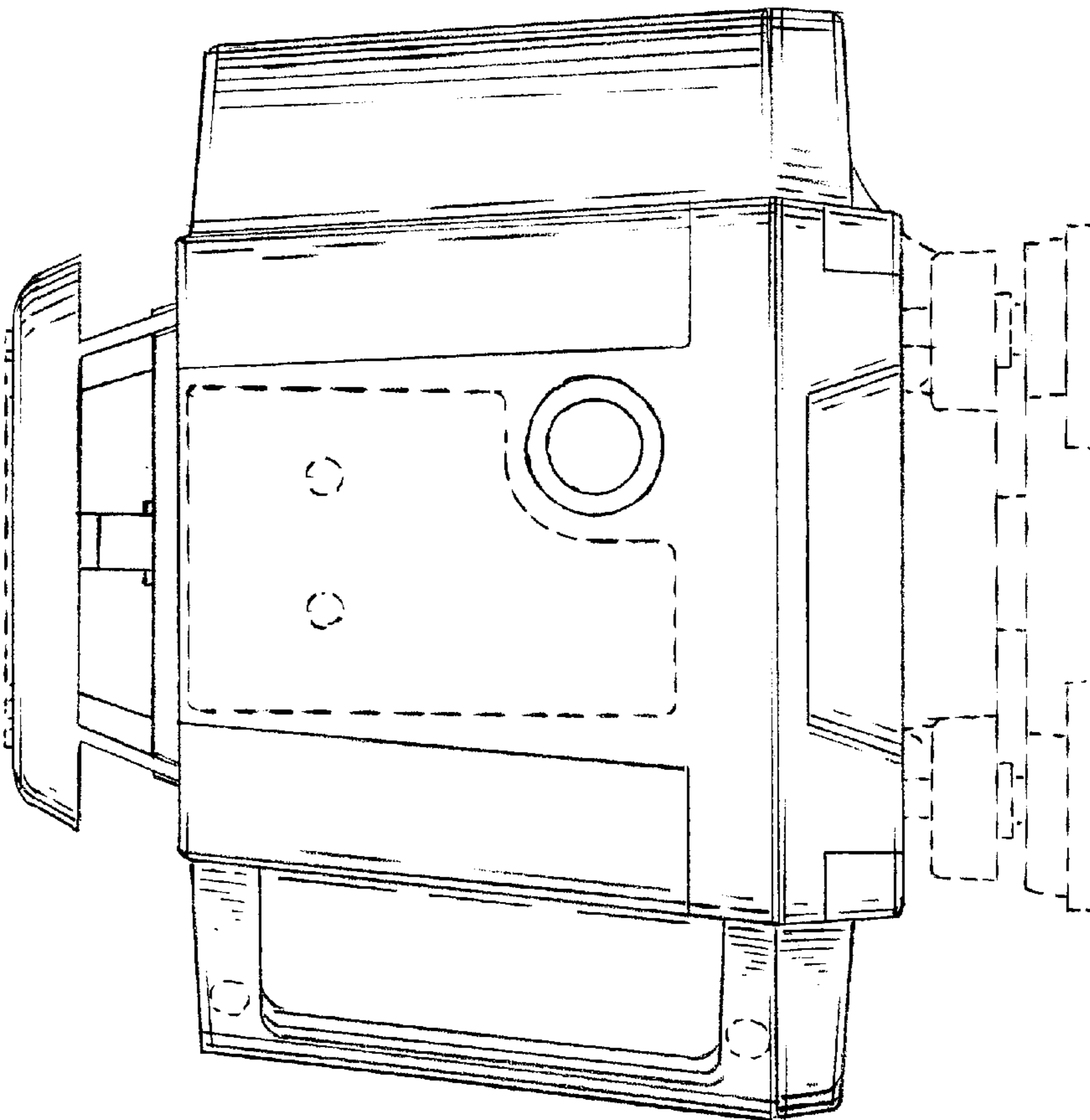


FIG. 1

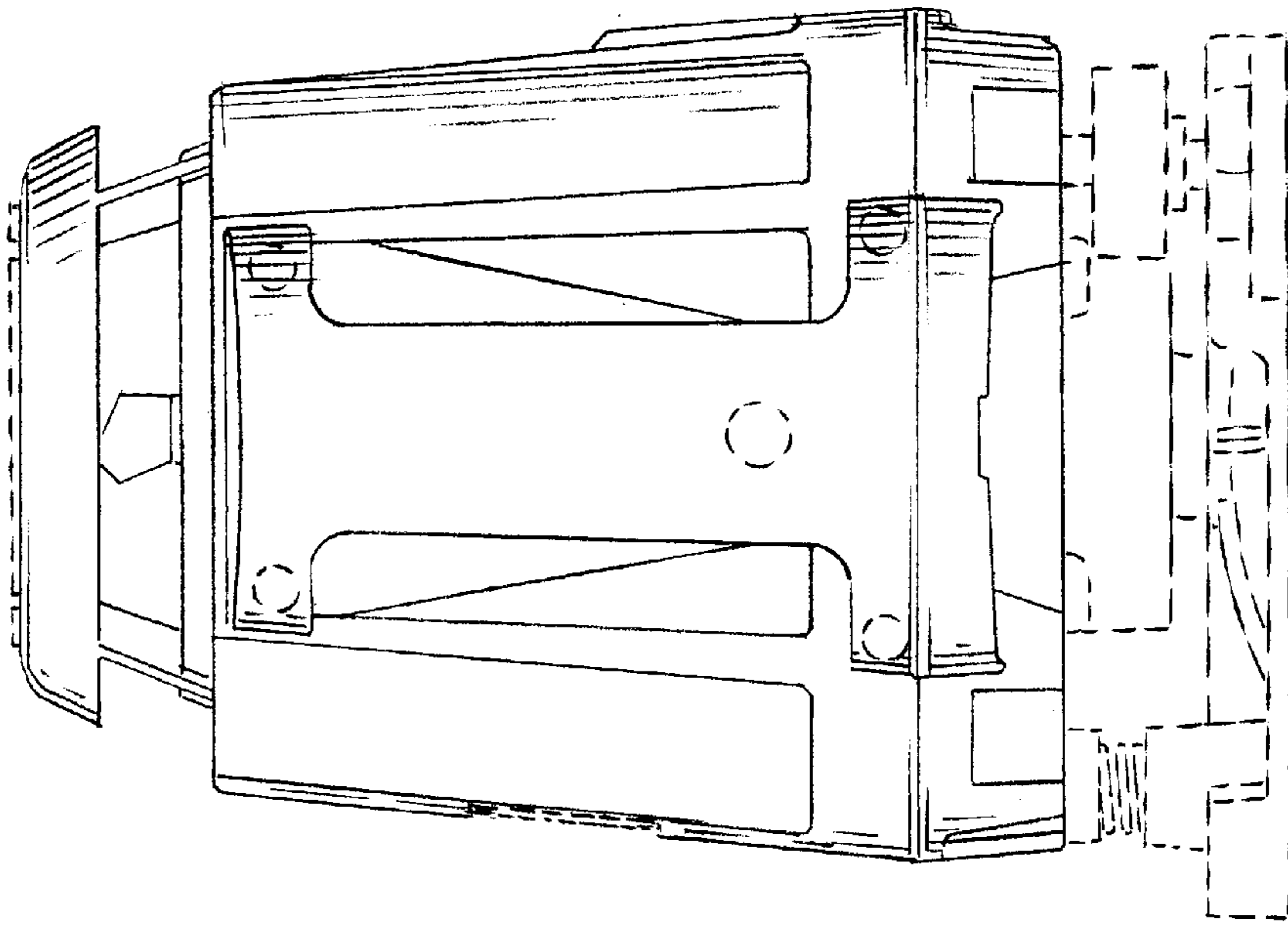


FIG. 4

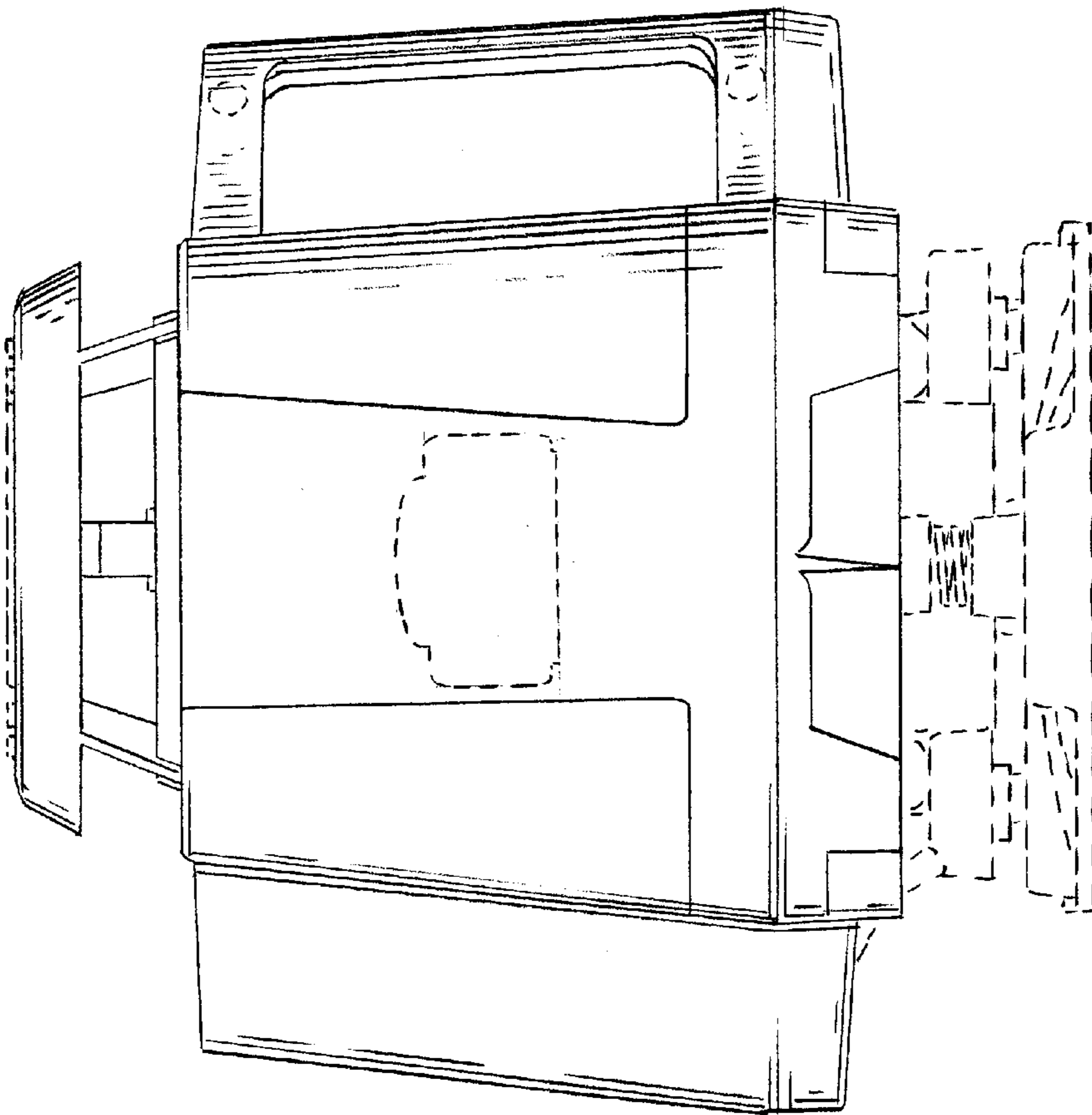


FIG. 3

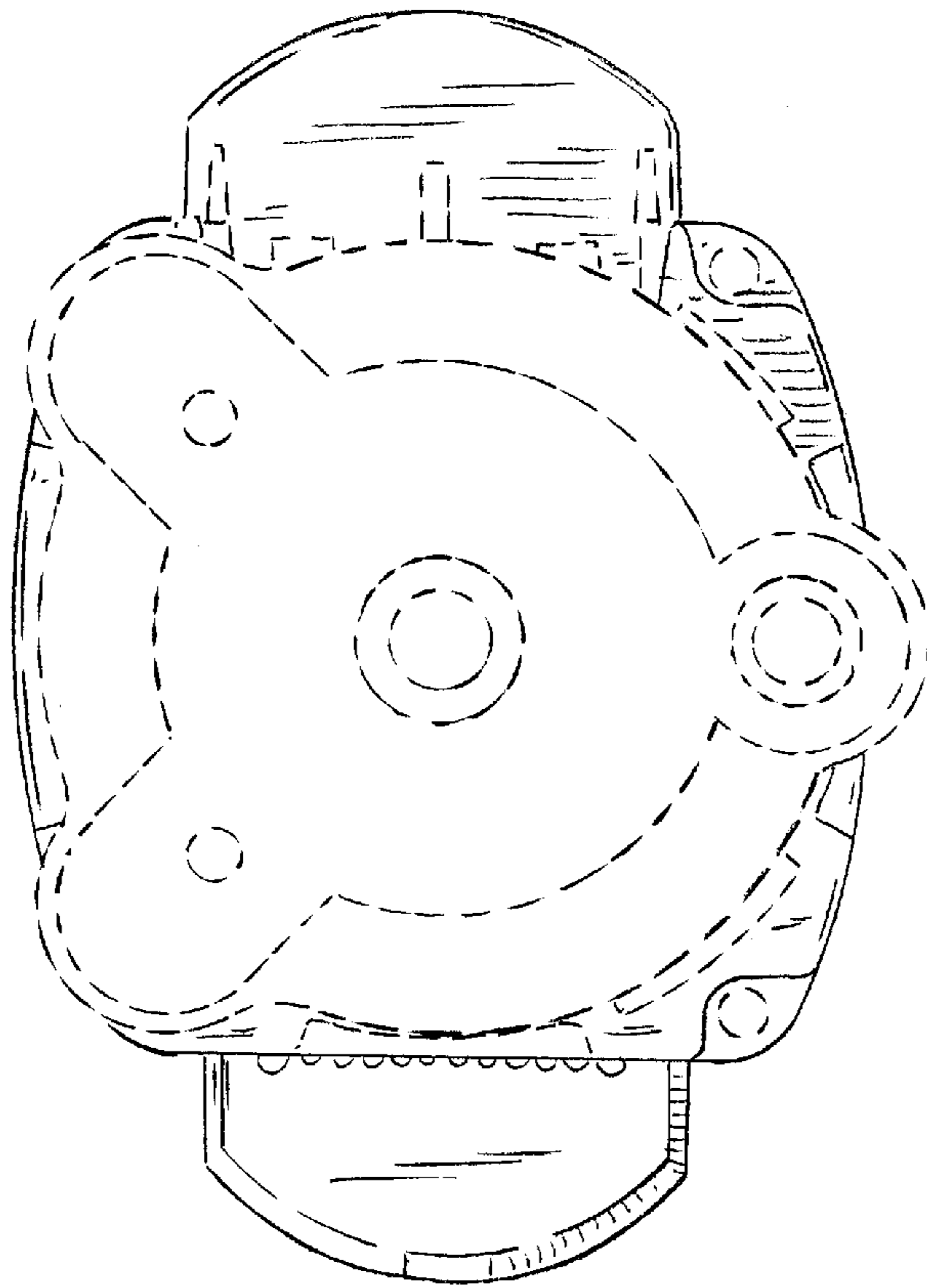


Fig. 6

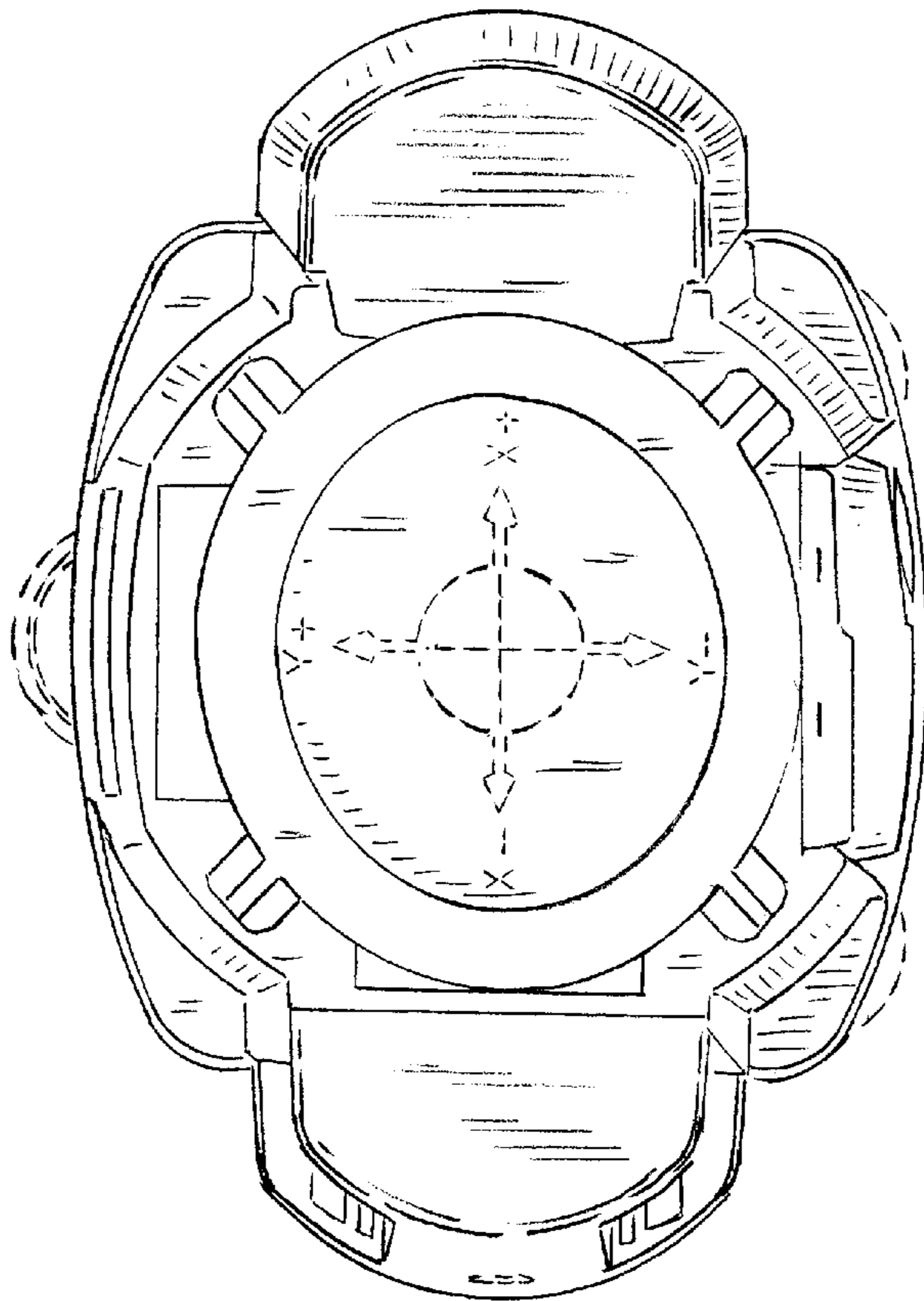


Fig. 5