



US00D469366S

(12) **United States Design Patent**
Quinn et al.

(10) **Patent No.:** **US D469,366 S**
(45) **Date of Patent:** **** Jan. 28, 2003**

(54) **MODULE HOUSING PORTION FOR MULTI-FUNCTION EQUIPMENT**

(75) Inventors: **James O. Quinn**, Montgomery, NY (US); **Robert S. Englert**, Syracuse, NY (US); **Scott W. Osiecki**, Skaneateles, NY (US); **Walter A. Gardiner**, Waccabuc, NY (US); **Joseph A. Hufnagel**, Bethel, CT (US); **James J. Economos**, Kingston, NY (US)

D310,787 S	9/1990	Iden
D310,970 S	10/1990	Iden
D316,983 S	5/1991	Houlihan
D333,626 S	3/1993	Chang
D356,965 S	4/1995	Chang
D360,369 S	7/1995	Wong et al.
D375,693 S	11/1996	Chang
D386,699 S	11/1997	Lindman
D386,983 S	12/1997	Houlihan
D448,685 S	10/2001	Gardiner et al.
D449,009 S	10/2001	Gardiner et al.

(73) Assignee: **Imperial Schrade Corp.**, Ellenville, NY (US)

(**) Term: **14 Years**

(21) Appl. No.: **29/153,463**

(22) Filed: **Jan. 8, 2002**

(51) **LOC (7) Cl.** **10-04**

(52) **U.S. Cl.** **D10/62; D10/68**

(58) **Field of Search** **D10/62, 65, 68; 33/273, 355 R, 364; 224/152, 235, 240, 252, 269; 368/101, 276-278; 374/141, 142, 208; 446/28**

(56) **References Cited**

U.S. PATENT DOCUMENTS

D53,889 S	10/1919	Colvin
D106,533 S	10/1937	Frank
4,250,627 A	2/1981	Jarvenpaa et al.
D283,682 S	5/1986	Raitmaa
D287,942 S	1/1987	Tanaka
D290,093 S	6/1987	Kramer
D308,488 S	6/1990	Iden

OTHER PUBLICATIONS

The Sharper Image Catalog, "Zytool", Aug. 2000, p. 3.

Primary Examiner—Antoine Duval Davis

(74) *Attorney, Agent, or Firm*—Saidman DesignLaw Group

(57) **CLAIM**

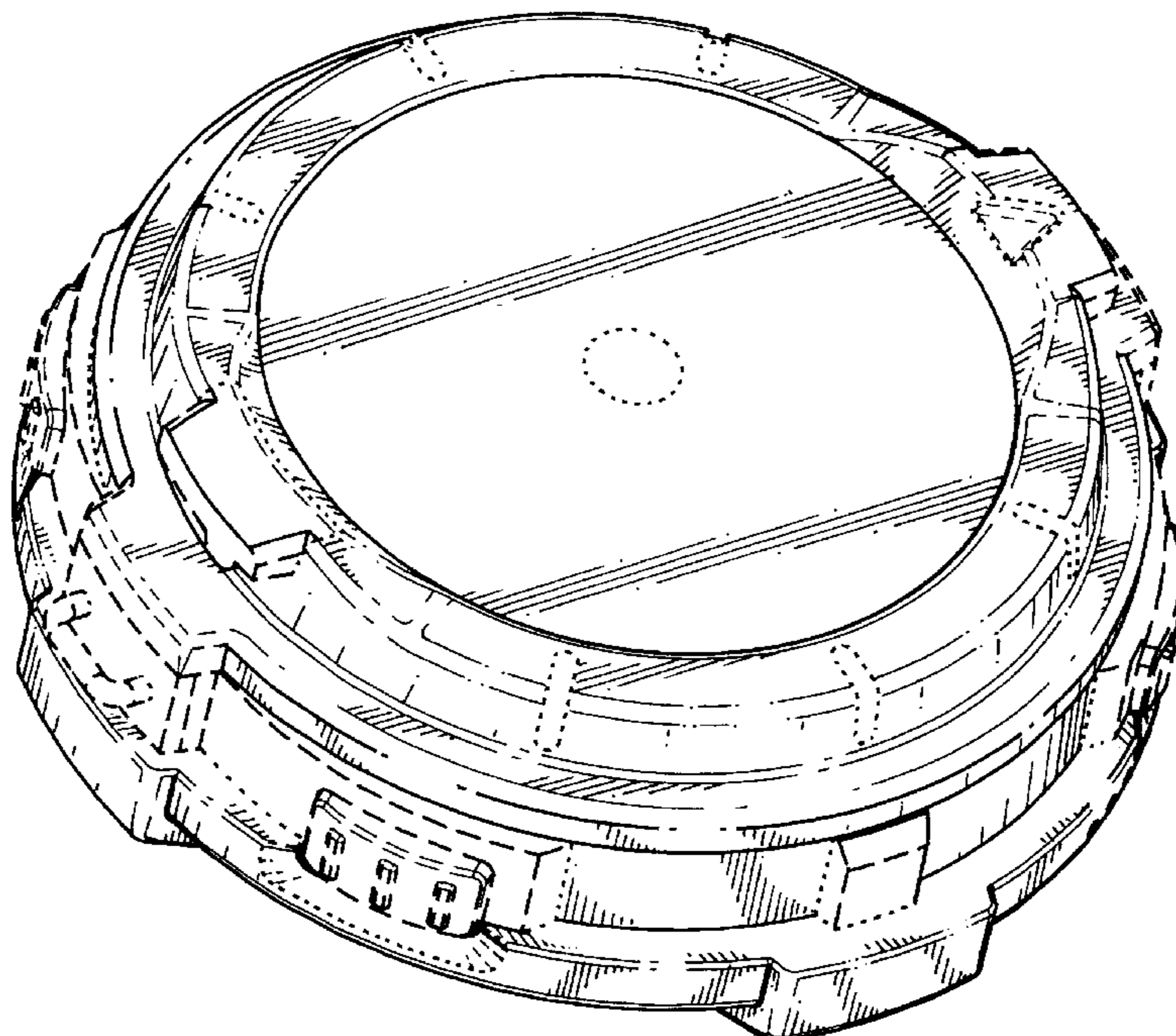
The ornamental design for a module housing portion for multi-function equipment, as shown and described.

DESCRIPTION

FIG. 1 is a top perspective view of a module housing portion for multi-function equipment showing our new design; FIG. 2 is a bottom perspective view thereof; FIG. 3 is a top view thereof; FIG. 4 is a bottom view thereof; FIG. 5 is a left side view thereof; FIG. 6 is a right side view thereof; and, FIG. 7 is a front view thereof, the rear view being a mirror image.

The broken lines in the drawings represent environmental subject matter and form no part of the claimed design.

1 Claim, 7 Drawing Sheets



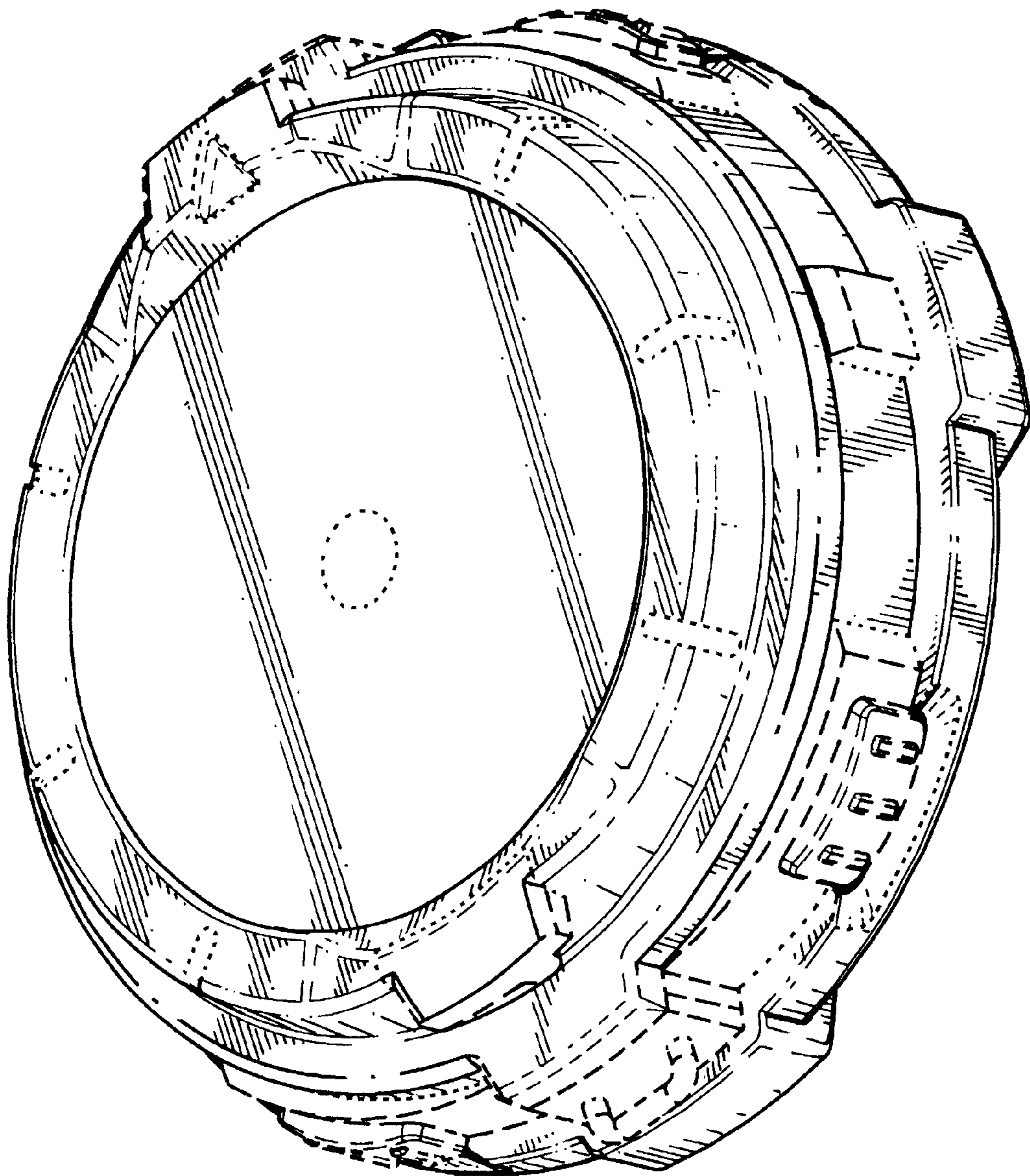


FIG.1

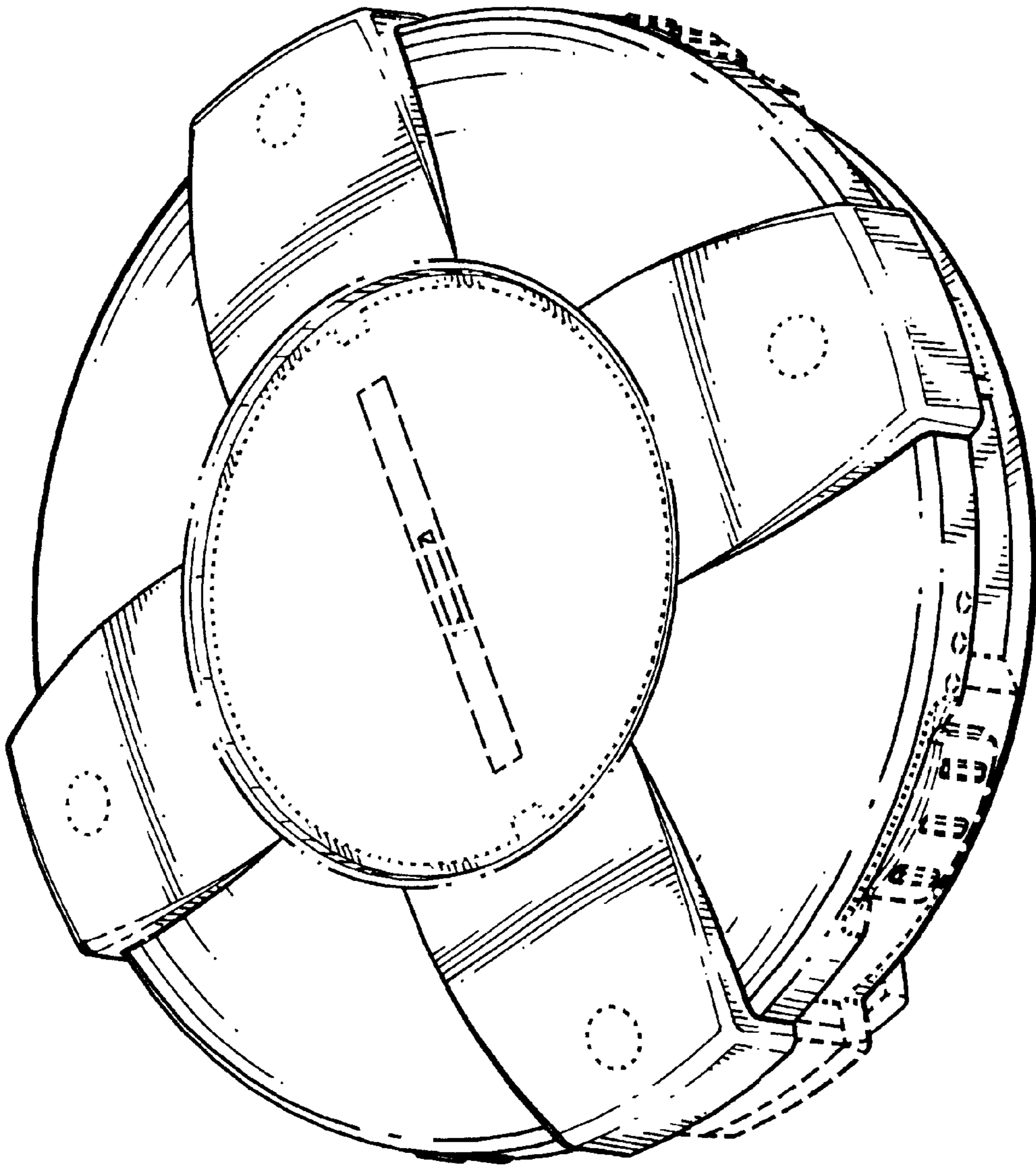


FIG.2

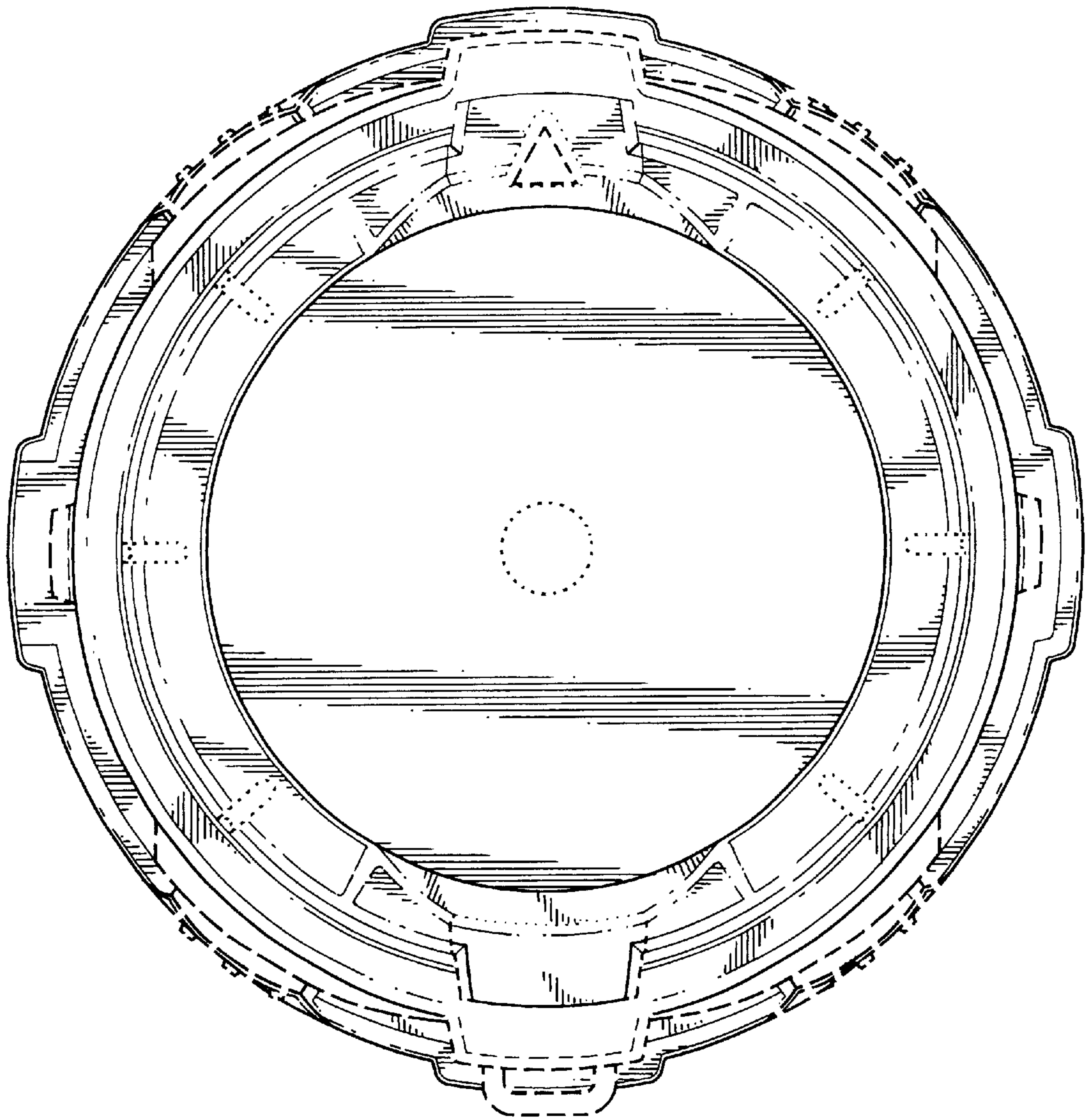


FIG.3

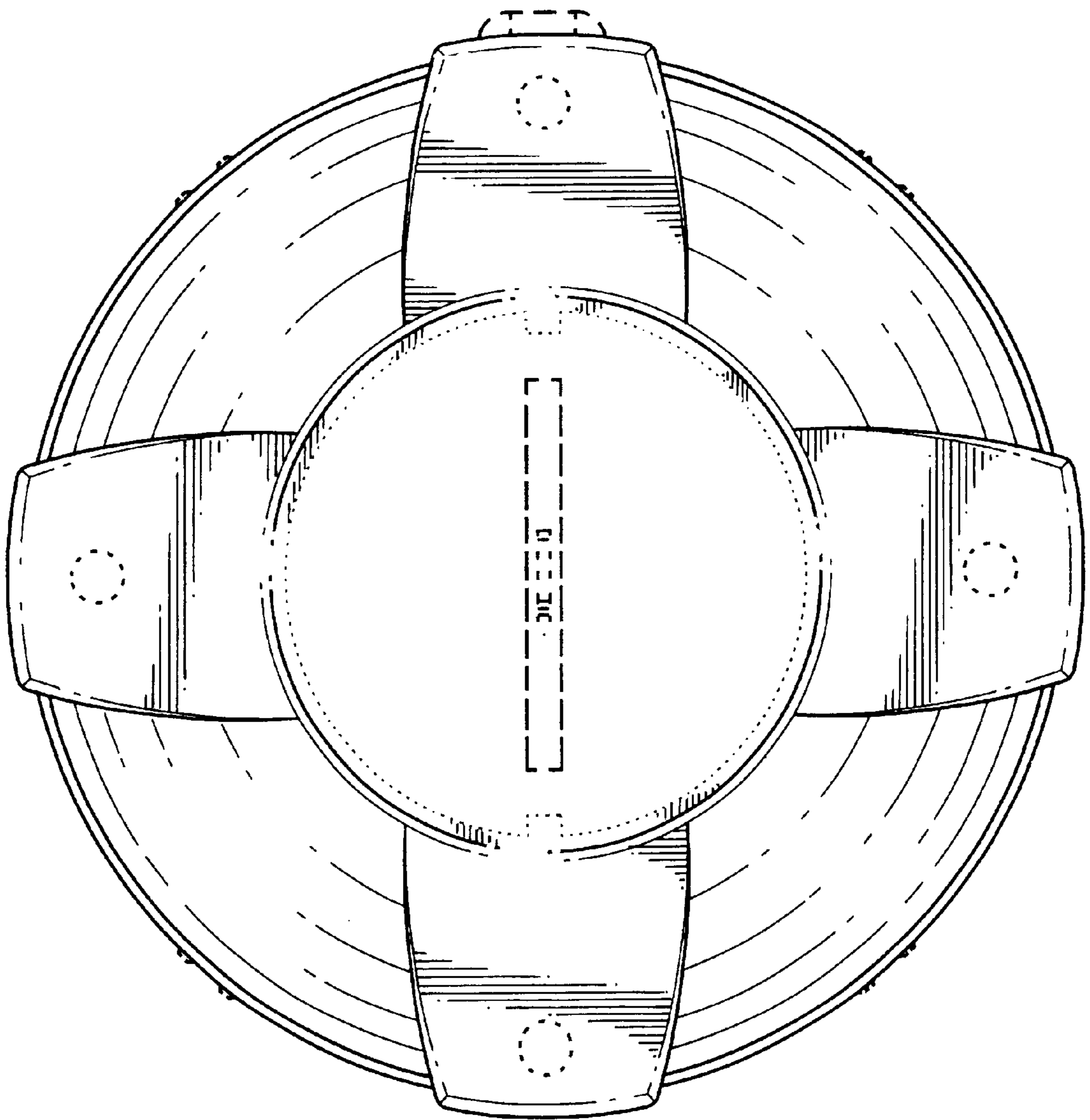


FIG.4

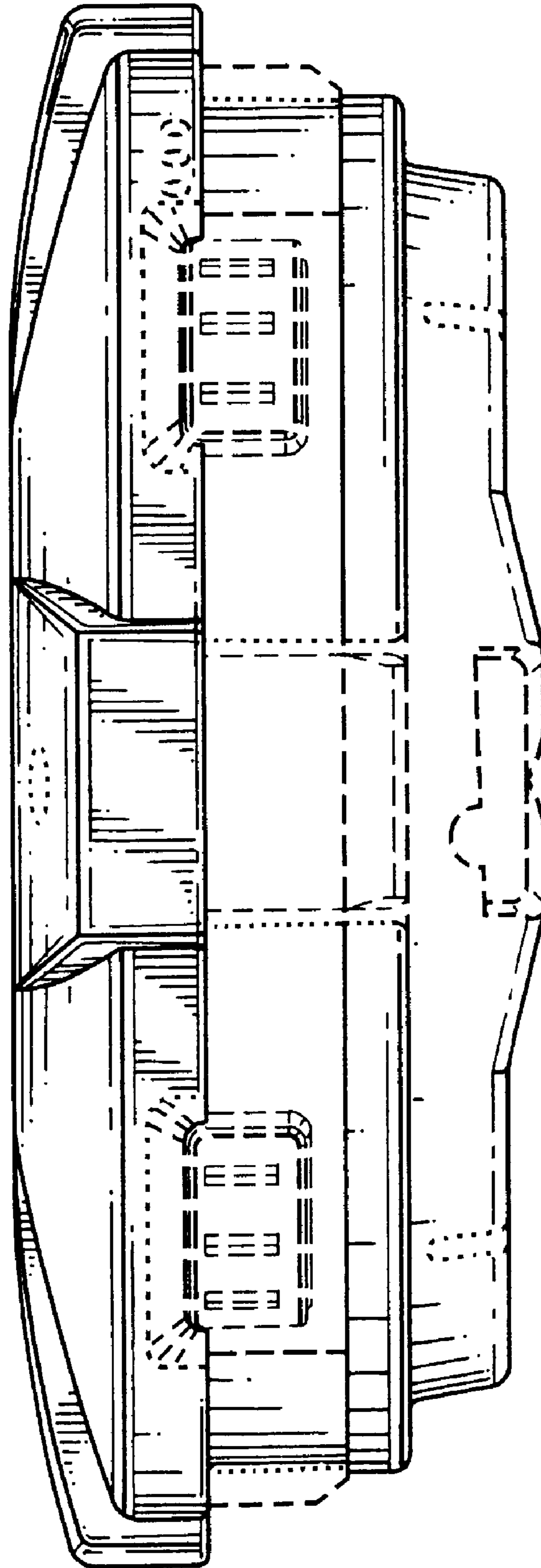


FIG. 5

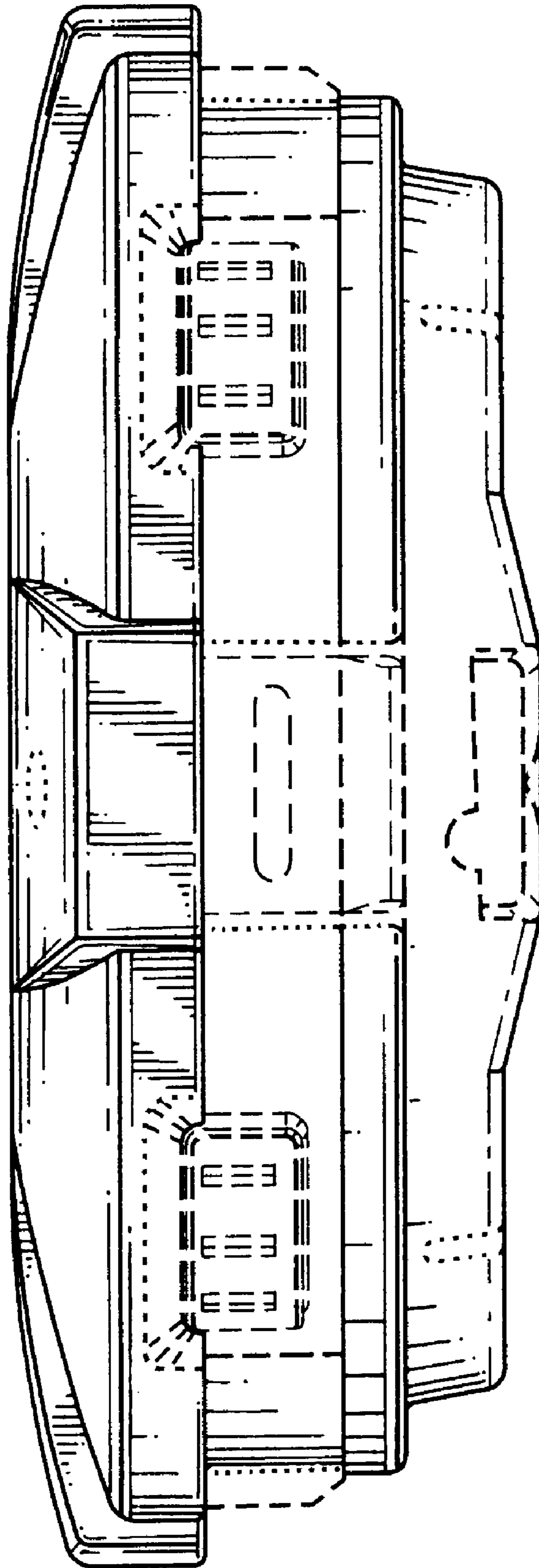


FIG.6

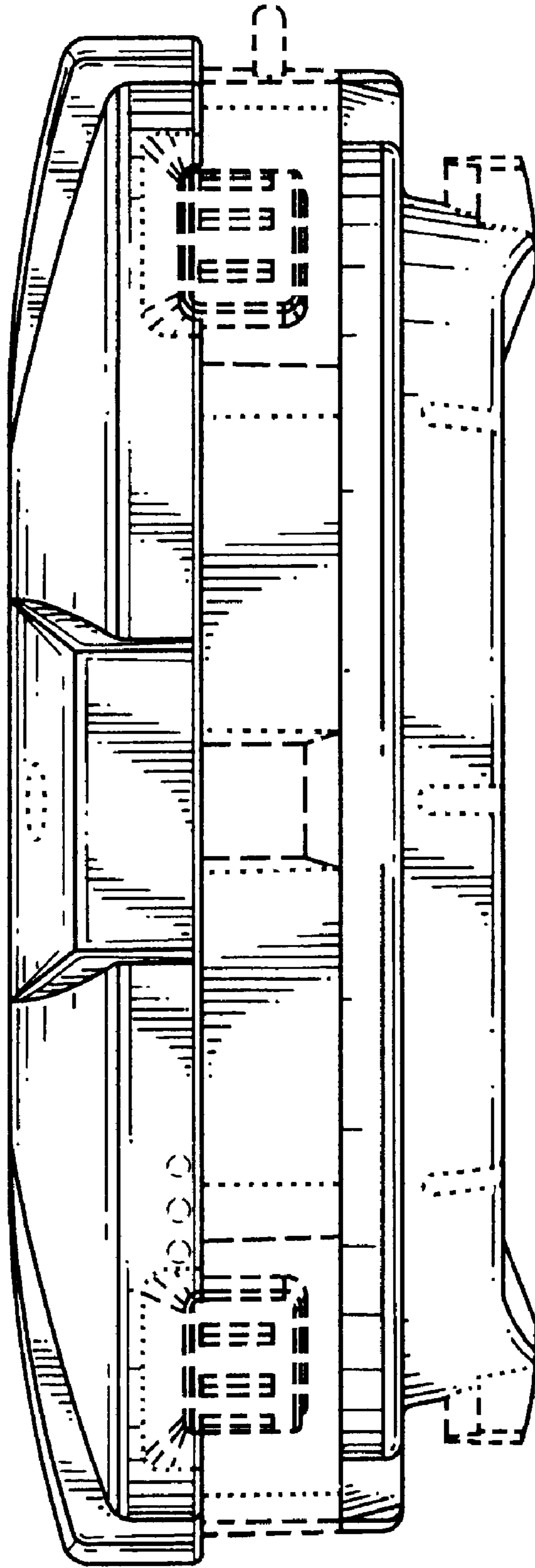


FIG. 7