



US00D469359S

(12) **United States Design Patent**  
**Bryant et al.**

(10) **Patent No.: US D469,359 S**

(45) **Date of Patent: \*\* Jan. 28, 2003**

(54) **BEVERAGE CONTAINER**

D435,795 S \* 1/2001 Bretz et al. .... D9/502 X  
D446,727 S \* 8/2001 Cummings ..... D9/530

(75) Inventors: **Michael Patrick Bryant**, Marlborough, MA (US); **William J. Hendricks**, Windham, NH (US); **Edward H. Lerner**, Lexington, MA (US); **Jim F. Warner**, Hoboken, NJ (US); **Insun Yun**, New York, NY (US)

**OTHER PUBLICATIONS**

Commercially-available containers.

\* cited by examiner

*Primary Examiner*—Ted Shooman

*Assistant Examiner*—Carol Rademaker

(74) *Attorney, Agent, or Firm*—Colin P. Cahoon; Carstens, Yee & Cahoon, L.L.P.

(73) Assignee: **Welch Foods Inc.**, Concord, MA (US)

(\*\*) Term: **14 Years**

(21) Appl. No.: **29/146,285**

(22) Filed: **Aug. 7, 2001**

(51) **LOC (7) Cl. .... 09-01**

(52) **U.S. Cl. .... D9/538; D9/539**

(58) **Field of Search** ..... D9/500, 502, 503, D9/506, 516, 307, 520, 529, 530, 537, 538, 539, 540, 541, 542, 543, 549, 552, 554, 557, 558, 565, 570, 574, 575, 434; 215/381–385, 6, 10, 396, 398; 220/662, 669, 675

**CLAIM**

(57) The ornamental design for a beverage container, as shown and described.

**DESCRIPTION**

FIG. 1 is a top perspective view of a beverage container of the present invention;

FIG. 2 is a bottom perspective view of the beverage container of the present invention;

FIG. 3 is a side elevation view of the beverage container of the present invention, the opposite side elevation view being identical;

FIG. 4 is a front elevation view of the beverage container of the present invention, the rear elevation view being identical;

FIG. 5 is a top plan view of the beverage container of the present invention; and,

FIG. 6 is a bottom plan view of the beverage container of the present invention.

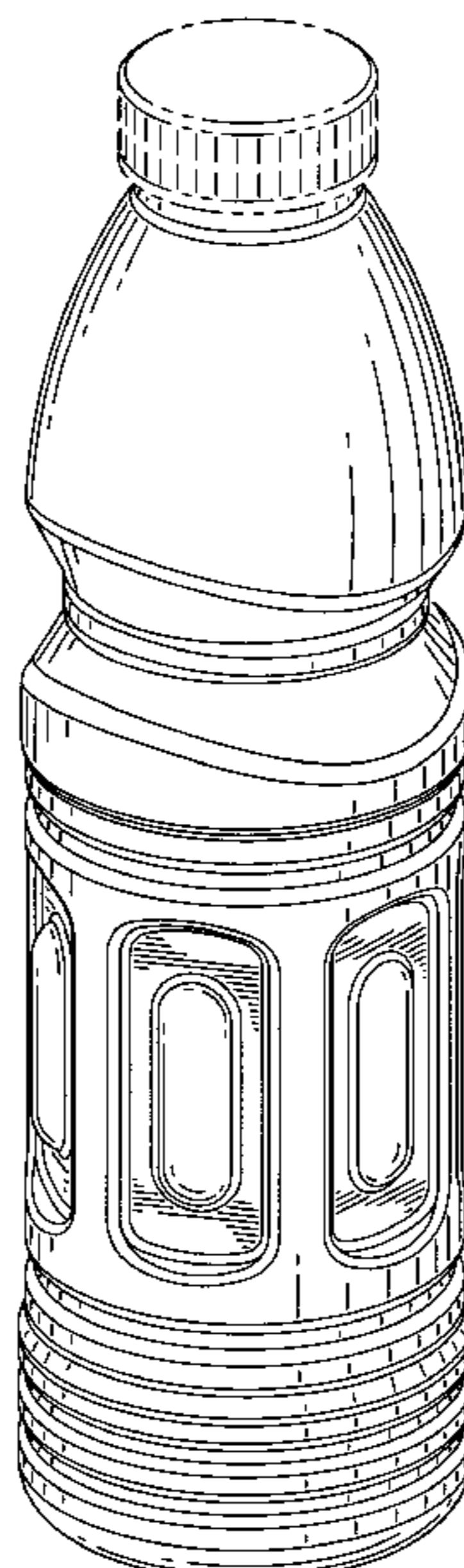
The broken lines showing of the cap and bottom features in all figures are for illustrative purposes only and form no part of the claimed design. The outermost circle shown in a broken line on the bottom of the beverage container, which defines the bounds of the claimed design, forms no part thereof.

(56) **References Cited**

**U.S. PATENT DOCUMENTS**

D204,711 S	*	5/1966	Plummer	.....	D9/539
D226,175 S	*	1/1973	Bystedt et al.	.....	D9/552
5,303,834 A	*	4/1994	Krishnakumar et al.	....	215/381
5,385,250 A	*	1/1995	Pasquale	.....	220/669
D356,736 S	*	3/1995	Armstrong	.....	D9/552
D370,178 S	*	5/1996	Petre et al.	.....	D9/552 X
D379,154 S	*	5/1997	Cox	.....	D9/540
D396,640 S	*	8/1998	Conrad et al.	.....	D9/502
D397,941 S	*	9/1998	Lauth	.....	D9/502
D404,310 S	*	1/1999	Martin	.....	D9/537
D417,156 S	*	11/1999	Veysiere	.....	D9/552
D429,647 S	*	8/2000	Warner et al.	.....	D9/538
D434,330 S	*	11/2000	Rowe et al.	.....	D9/538

**1 Claim, 2 Drawing Sheets**



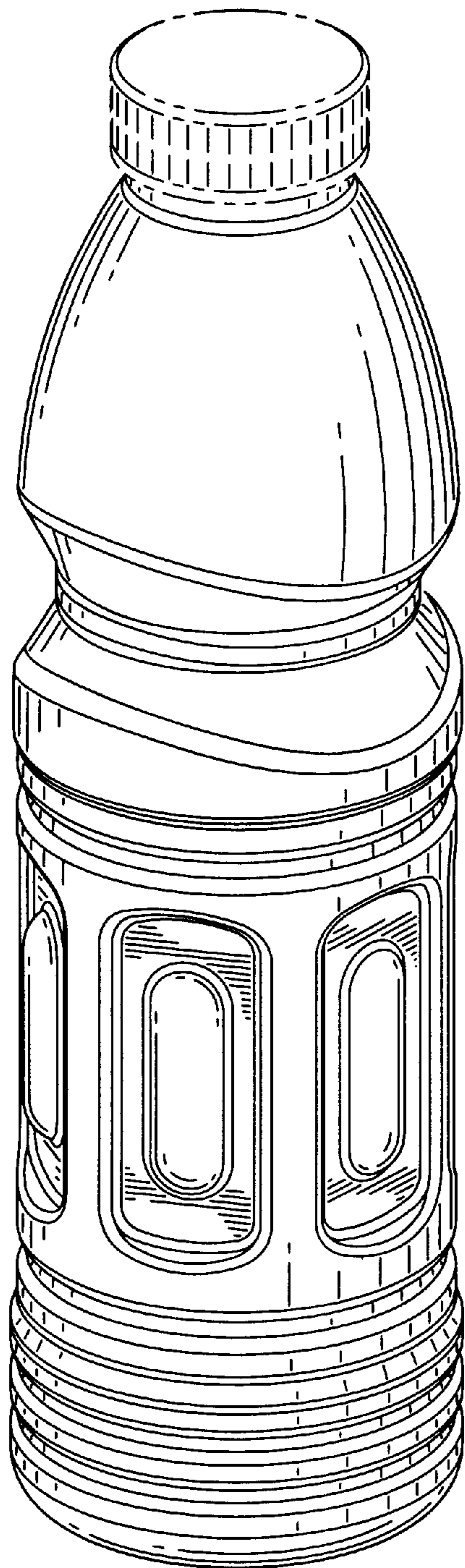


FIG. 1

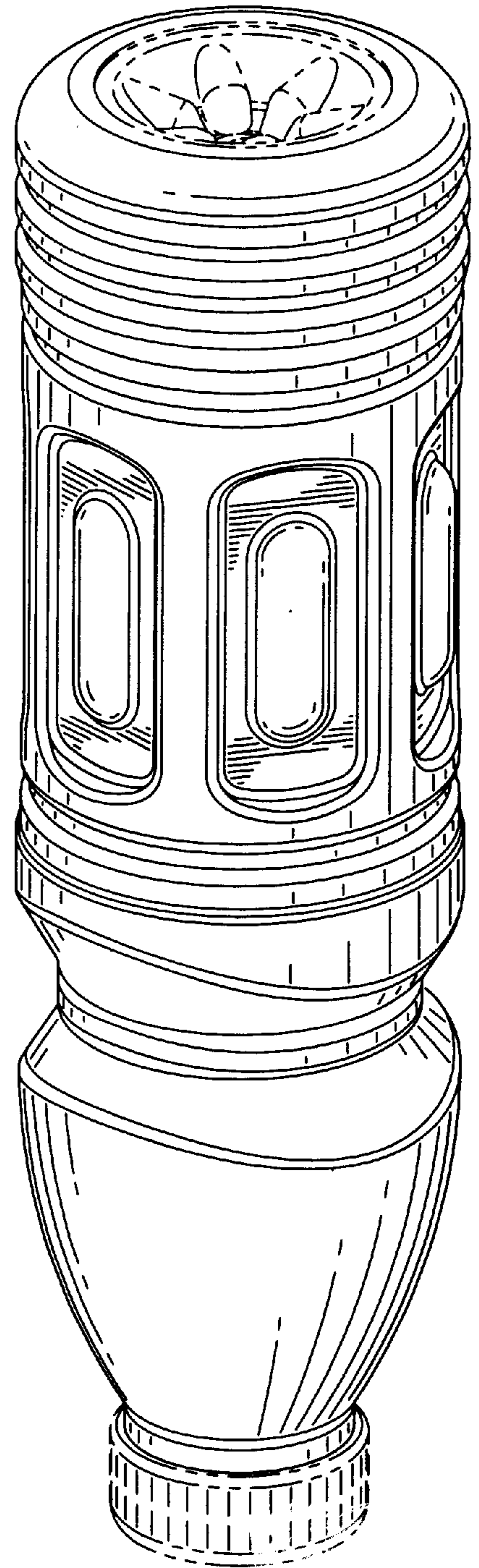


FIG. 2

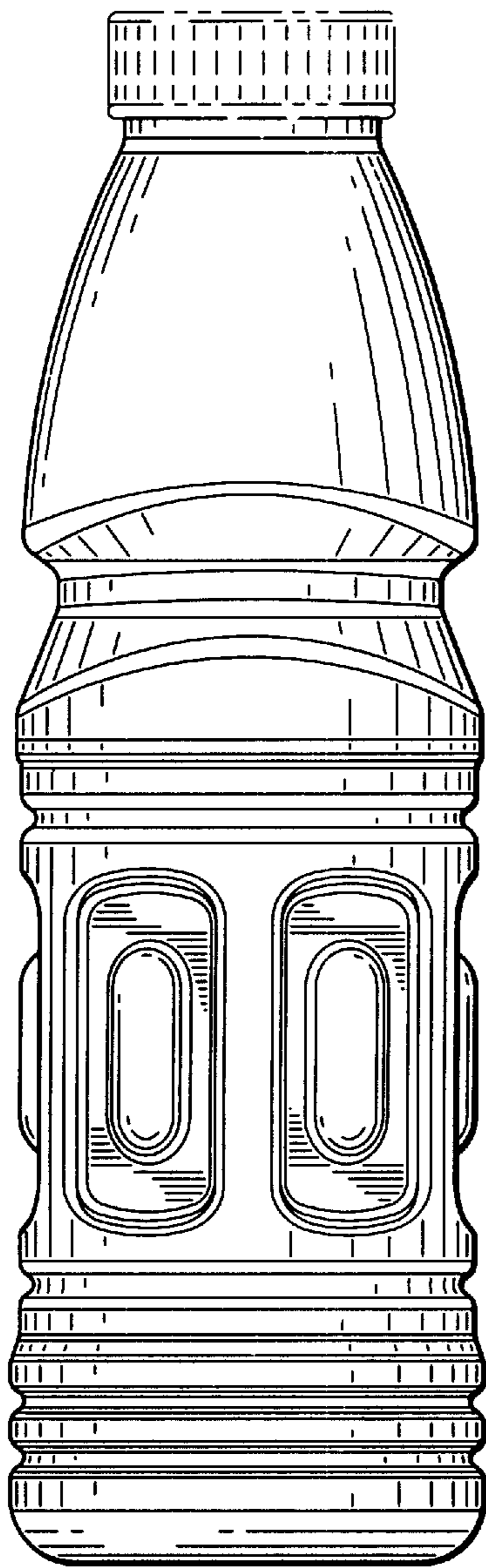


FIG. 3

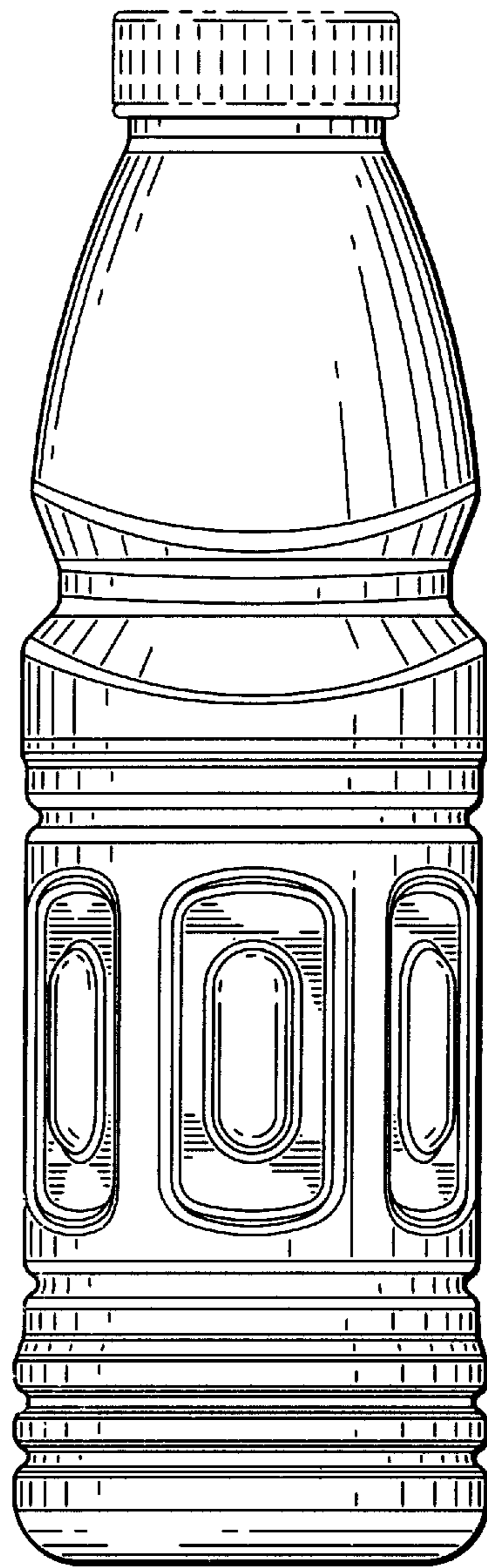


FIG. 4

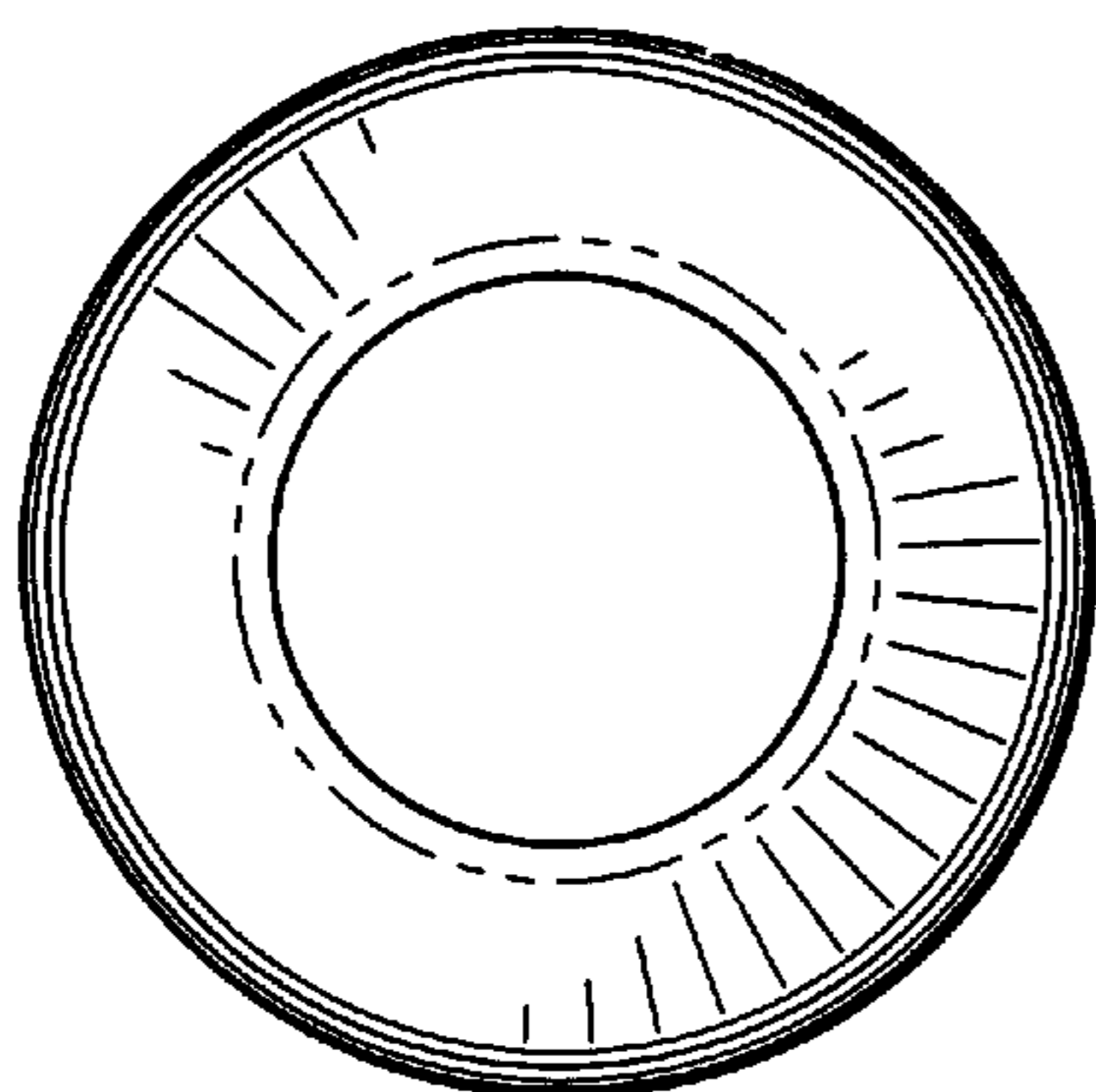


FIG. 5

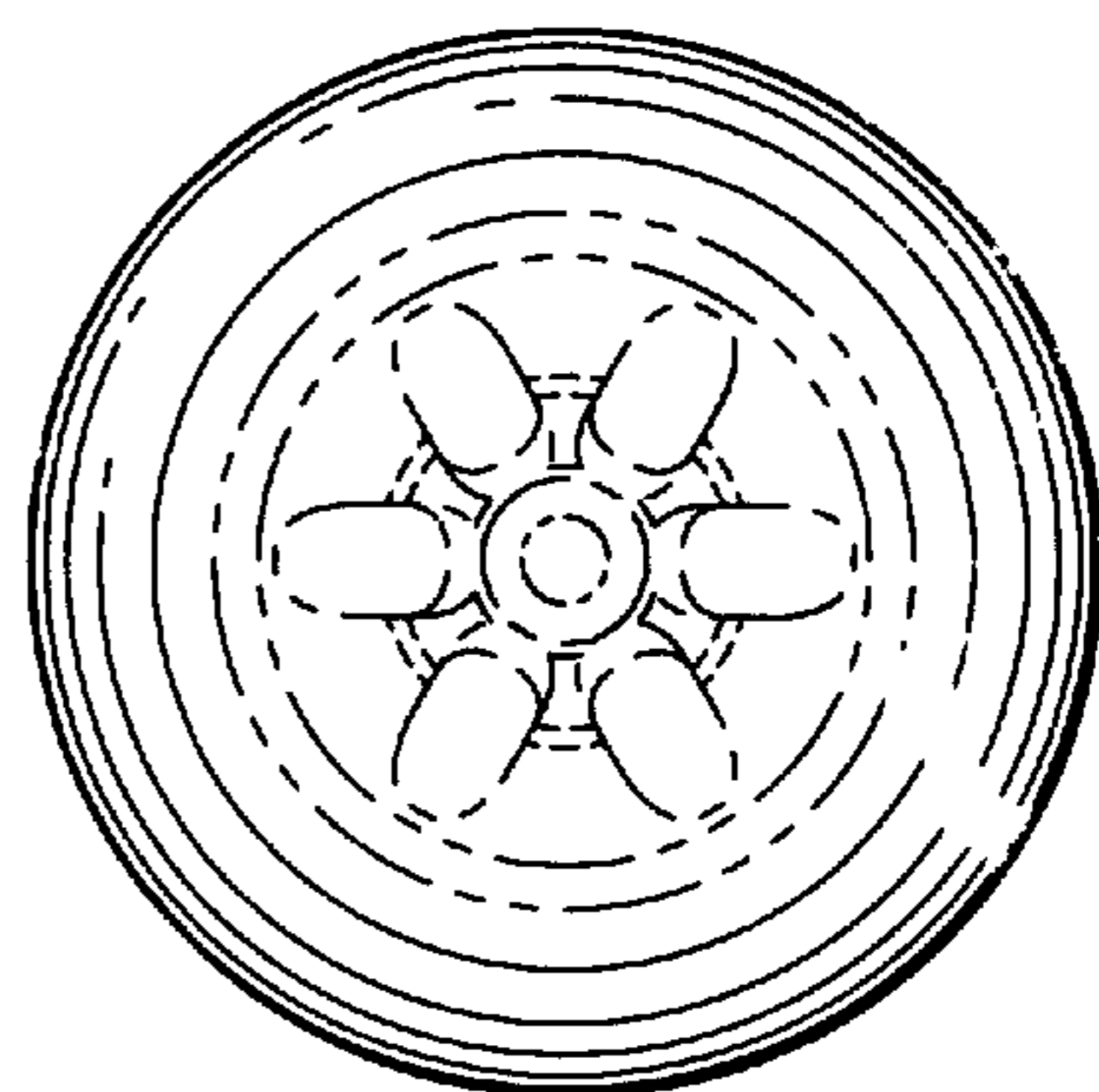


FIG. 6