



US00D469358S

(12) **United States Design Patent**  
**Bryant et al.**

(10) **Patent No.:** **US D469,358 S**

(45) **Date of Patent:** **\*\* Jan. 28, 2003**

(54) **BEVERAGE CONTAINER**

(75) Inventors: **Michael Patrick Bryant**, Marlborough, MA (US); **William J. Hendricks**, Windham, NH (US); **Edward H. Lerner**, Lexington, MA (US); **Jim F. Warner**, Hoboken, NJ (US); **Insun Yun**, New York, NY (US)

(73) Assignee: **Welch Foods Inc.**, Concord, MA (US)

(\*\*) Term: **14 Years**

(21) Appl. No.: **29/146,247**

(22) Filed: **Aug. 7, 2001**

(51) **LOC (7) Cl.** ..... **09-01**

(52) **U.S. Cl.** ..... **D9/538; D9/537; D9/540**

(58) **Field of Search** ..... D9/307, 500, 502-503, D9/506, 516, 520, 529-530, 537-543, 549, 552, 554, 557-558, 565, 570, 574-575, 434; 215/381-385, 6, 10, 396, 398; 220/662, 669, 675

(56) **References Cited**

**U.S. PATENT DOCUMENTS**

D204,711 S	*	5/1966	Plummer	.....	D9/539
D226,175 S	*	1/1973	Bystedt et al.	.....	D9/552
5,303,834 A	*	4/1994	Krishnakumar et al.	....	215/381
5,385,250 A	*	1/1995	Pasquale	.....	220/669
D356,736 S	*	3/1995	Armstrong	.....	D9/552
D370,178 S	*	5/1996	Petre et al.	.....	D9/552 X
D379,154 S	*	5/1997	Cox	.....	D9/540
D396,640 S	*	8/1998	Conrad et al.	.....	D9/502
D397,941 S	*	9/1998	Lauth	.....	D9/502
D404,310 S	*	1/1999	Martin	.....	D9/537
D417,156 S	*	11/1999	Veyssiere	.....	D9/552
D429,647 S	*	8/2000	Warner et al.	.....	D9/538
D434,330 S	*	11/2000	Rowe et al.	.....	D9/538
D435,795 S	*	1/2001	Bretz et al.	.....	D9/502 X
D446,727 S	*	8/2001	Cummings	.....	D9/530

**OTHER PUBLICATIONS**

Commercially-available containers.

\* cited by examiner

*Primary Examiner*—Ted Shooman

*Assistant Examiner*—Carol Rademaker

(74) *Attorney, Agent, or Firm*—Colin P. Cahoon; Carstens, Yee & Cahoon, L.L.P.

(57) **CLAIM**

The ornamental design of a beverage container, as shown and described.

**DESCRIPTION**

FIG. 1 is a top perspective view of a beverage container of the present invention;

FIG. 2 is a bottom perspective view of the beverage container of the present invention;

FIG. 3 is a left side elevation view of the beverage container of the present invention;

FIG. 4 is a right side elevation view of the beverage container of the present invention;

FIG. 5 is a front elevation view of the beverage container of the present invention;

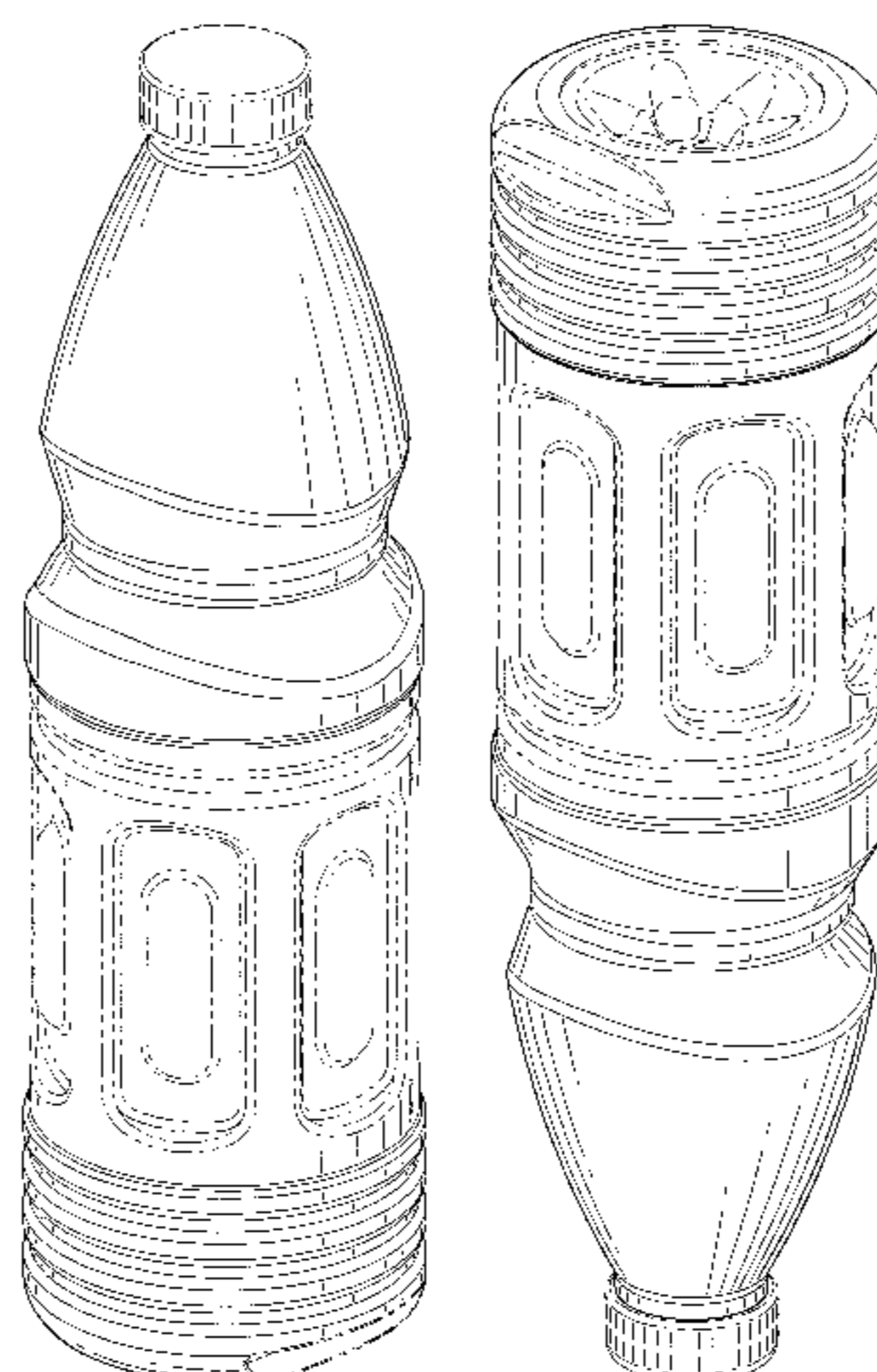
FIG. 6 is a rear elevation view of the beverage container of the present invention;

FIG. 7 is a top plan view of the beverage container of the present invention; and,

FIG. 8 is a bottom plan view of the beverage container of the present invention.

The broken lines showing of the cap, bottom features, depression in the rear of the base, vacuum panels, and ring above the vacuum panels in all figures are for illustrative purposes only and form no part of the claimed design. The outermost circle of the unclaimed patterned punt, the notched area, the outermost line defining each of the vacuum panels, and the upper and lower horizontal rings above the vacuum panels, shown in broken lines on the beverage container, which define the bounds of the claimed design, form no part thereof.

**1 Claim, 4 Drawing Sheets**



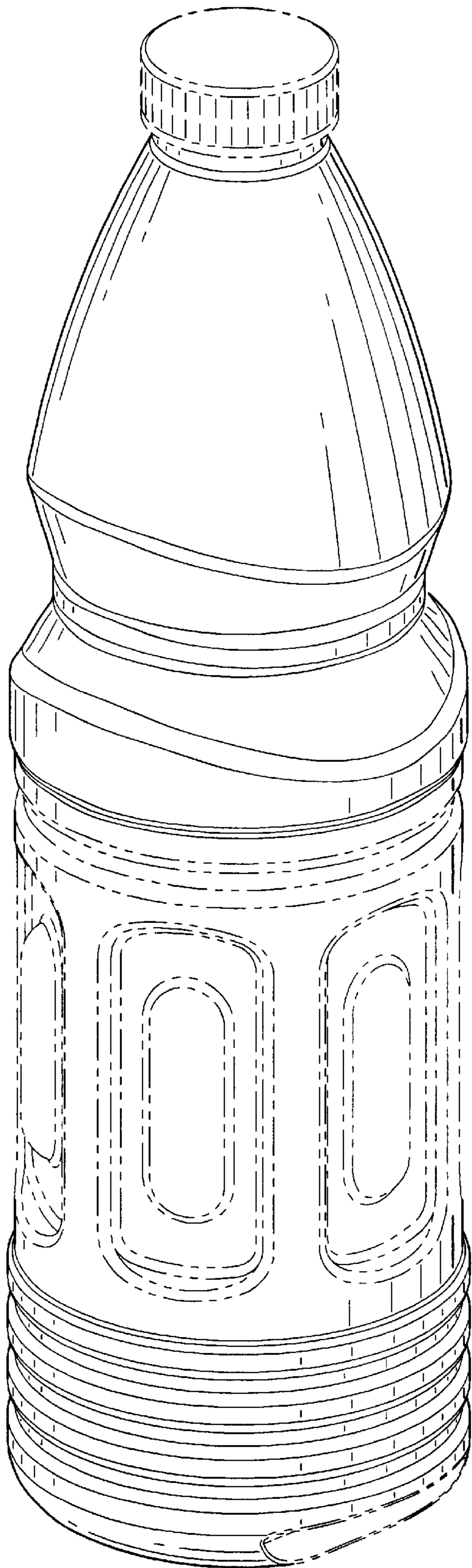


FIG. 1

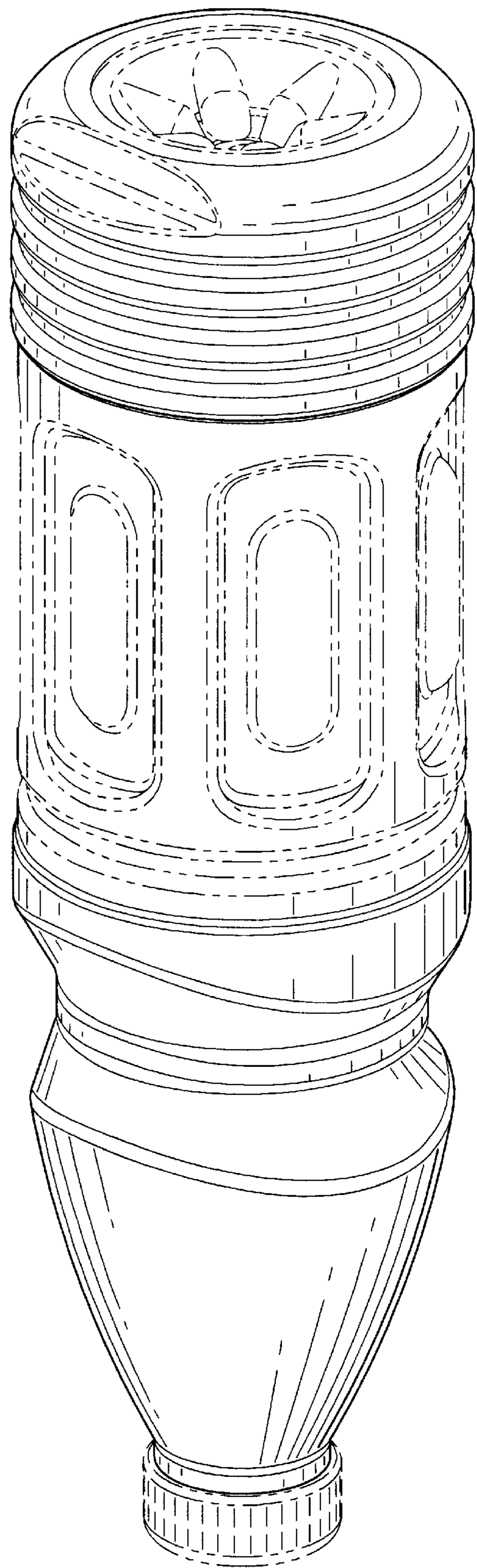


FIG. 2

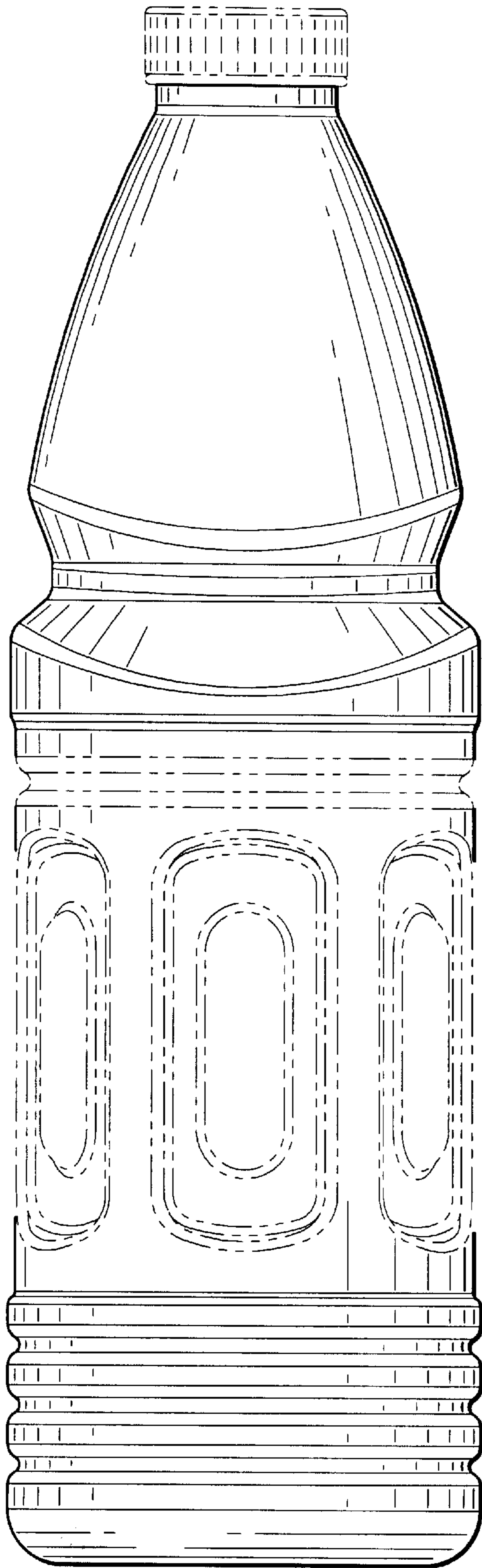


FIG. 5

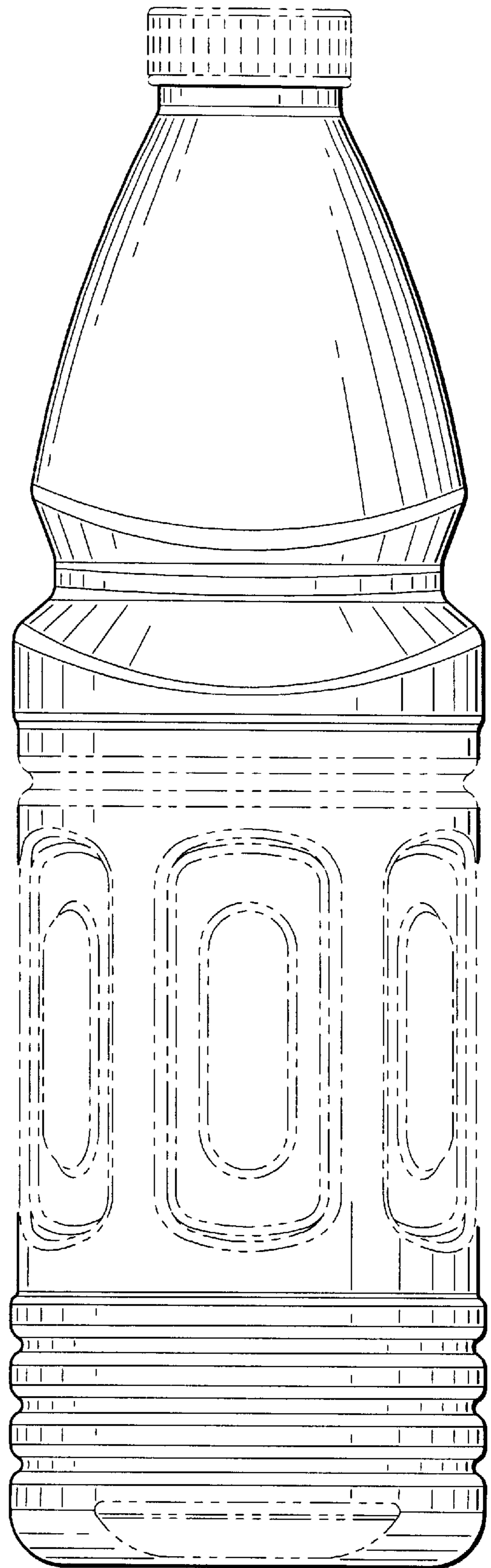


FIG. 6

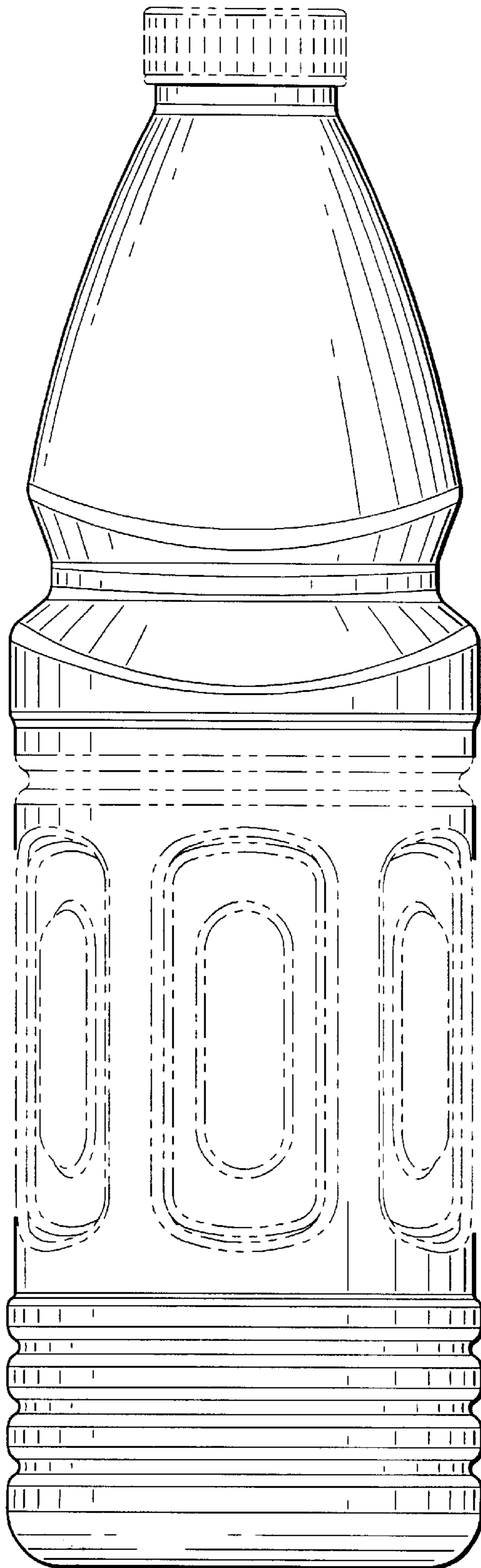


FIG. 5

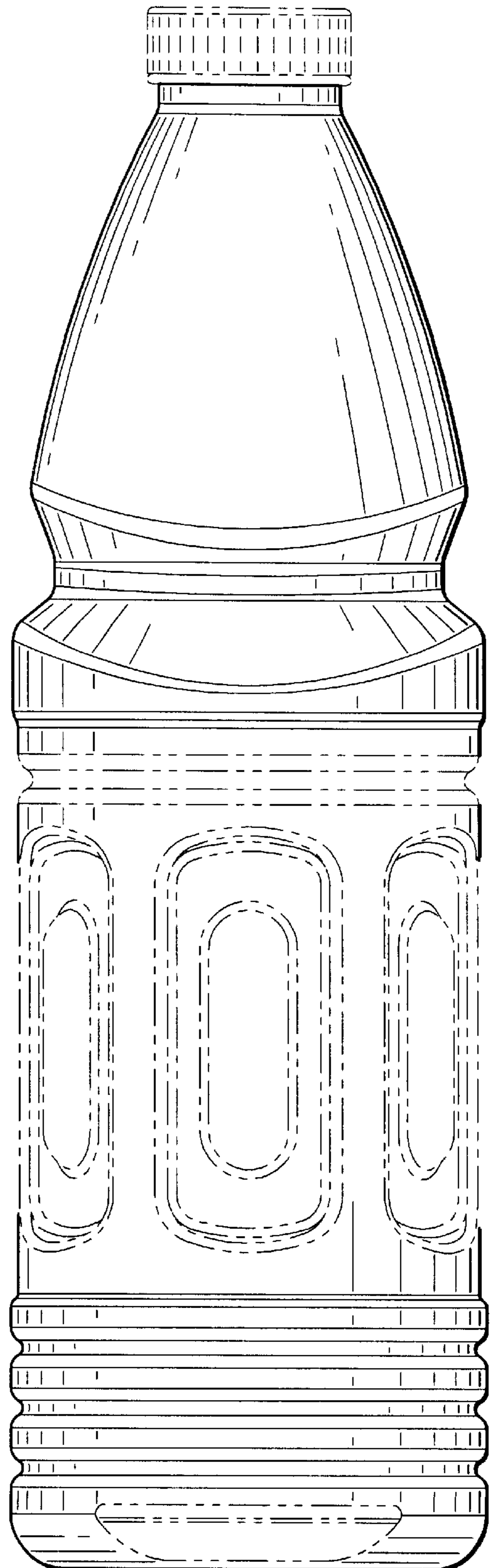
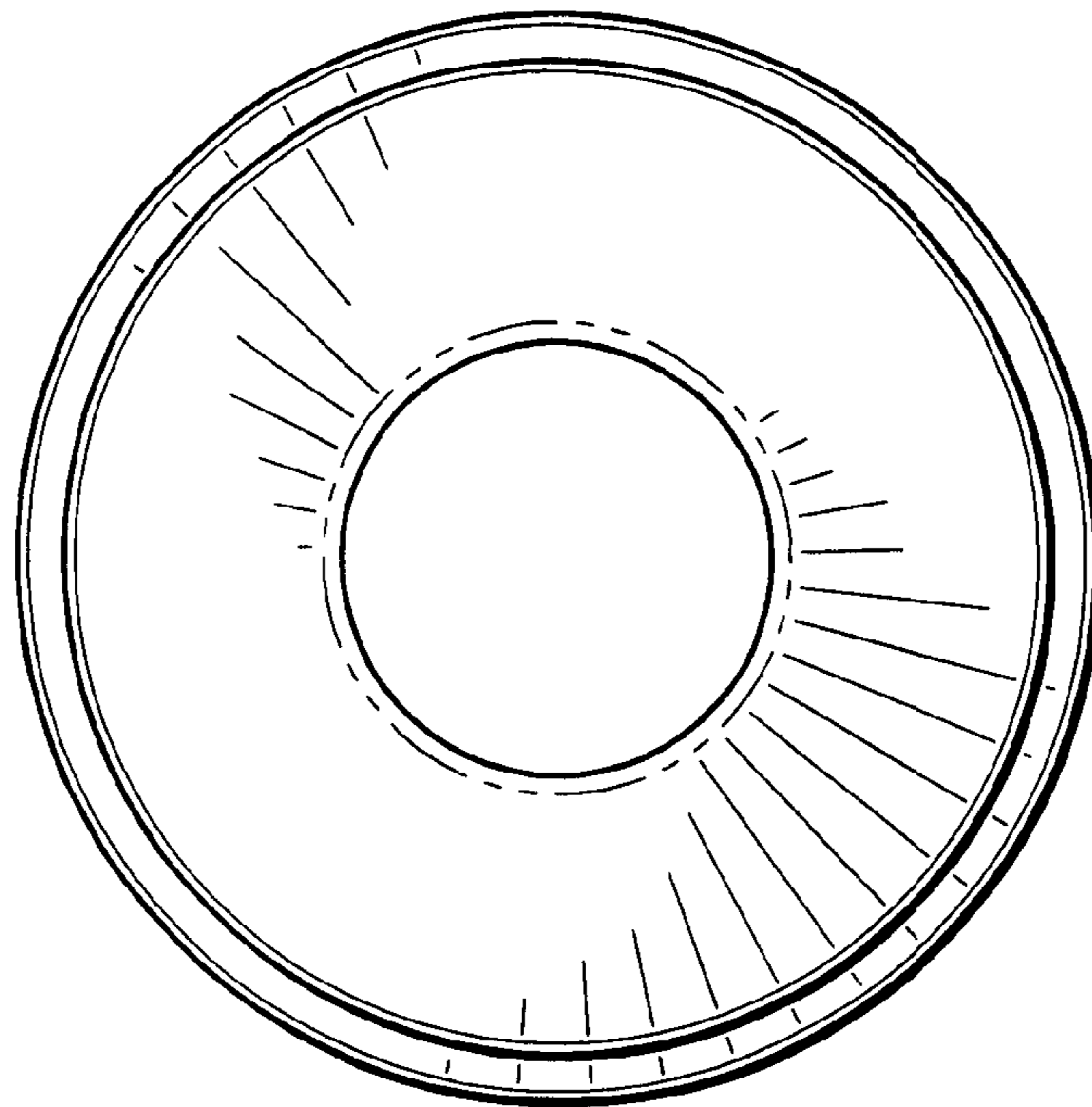
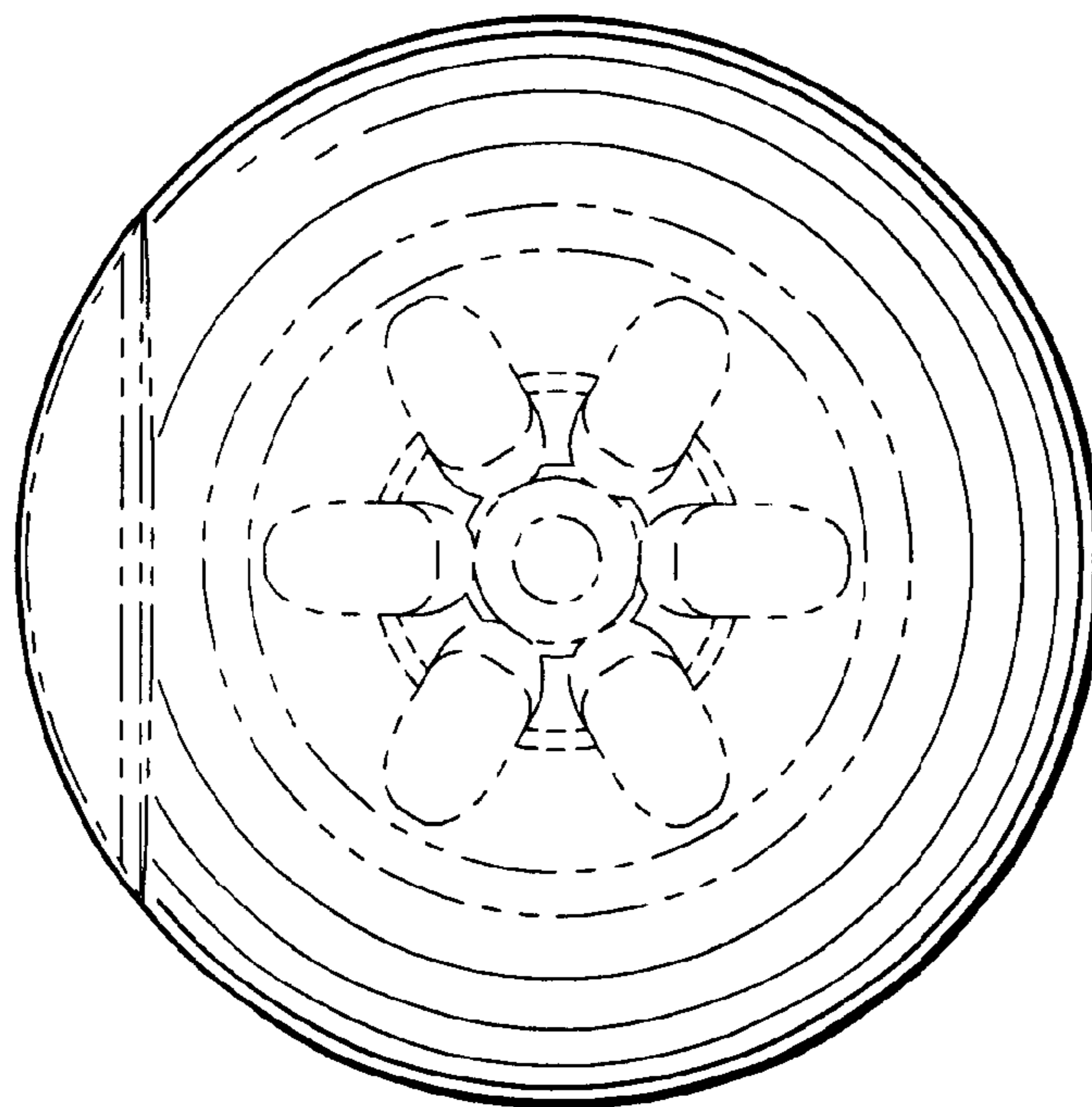


FIG. 6



*FIG. 7*



*FIG. 8*