



US00D469354S

(12) **United States Design Patent**
Curtsinger

(10) **Patent No.:** **US D469,354 S**

(45) **Date of Patent:** **** Jan. 28, 2003**

(54) **SHRINK RING PROTECTOR FOR CIRCULAR SAW BLADES**

(75) Inventor: **John Curtsinger**, Shelbyville, KY (US)

(73) Assignee: **Black & Decker Inc.**, Newark, DE (US)

(**) Term: **14 Years**

(21) Appl. No.: **29/152,098**

(22) Filed: **Dec. 14, 2001**

(51) **LOC (7) Cl.** **09-01**

(52) **U.S. Cl.** **D9/444; D9/415**

(58) **Field of Search** D9/414, 428, 415, D9/429, 418, 337, 457, 305, 306, 444, 435; 206/303, 304.1, 304.2, 395, 389, 398, 414, 353, 352

(56) **References Cited**

U.S. PATENT DOCUMENTS

102,923	A	*	5/1870	Saw	206/349
716,785	A	*	12/1902	Taylor	206/349
2,010,082	A		8/1935	Hill		
D99,549	S	*	5/1936	Klein	D9/444
2,459,460	A	*	1/1949	Segal	206/349
2,601,426	A	*	6/1952	Baumann	206/349
2,878,628	A		3/1959	Curry		
2,918,165	A		12/1959	Paulick, Jr.		
2,950,004	A		8/1960	Acomb		
2,954,118	A		9/1960	Anderson		
3,005,542	A		10/1961	Harrison		
3,259,231	A		7/1966	Romanowski et al.		
3,274,302	A		9/1966	Anderson et al.		
3,358,902	A		12/1967	Emmert et al.		
3,412,524	A		11/1968	Nestell et al.		

4,071,141	A		1/1978	Gray		
D311,620	S	*	10/1990	Rose	D9/435
5,456,057	A		10/1995	Bannon et al.		
6,260,698	B1	*	7/2001	Delost et al.	206/303
6,267,239	B1	*	7/2001	Maki	206/303
D449,522	S	*	10/2001	Brown	D9/435

* cited by examiner

Primary Examiner—Prabhakar Deshmukh

(74) *Attorney, Agent, or Firm*—Harness, Dickey & Pierce, P.L.C.

(57) **CLAIM**

The ornamental design for a shrink ring protector for circular saw blades, as shown and described.

DESCRIPTION

FIG. 1 is a perspective view of a shrink ring protector for circular saw blades showing my new design;
 FIG. 2 is a top plan view thereof;
 FIG. 3 is a front elevational view thereof; the rear, left and right side elevational views being a mirror image thereof;
 FIG. 4 is a bottom plan view thereof;
 FIG. 5 is a perspective view of a second embodiment of FIG. 1;
 FIG. 6 is a top plan view of FIG. 5; the bottom plan view being a mirror image thereof; the front, rear, left and right side elevational views are the same as shown in FIG. 3; and,
 FIG. 7 is a perspective view of third embodiment of FIG. 1; the top and bottom plan views are the same as shown in FIG. 4; the front, rear, left and right side views are the same as shown in FIG. 3.

The broken lines are shown for illustrative purpose only and form no part of the claimed design. FIGS. 2, 3, 4 and 6 are drawn in an enlarged scale.

1 Claim, 4 Drawing Sheets

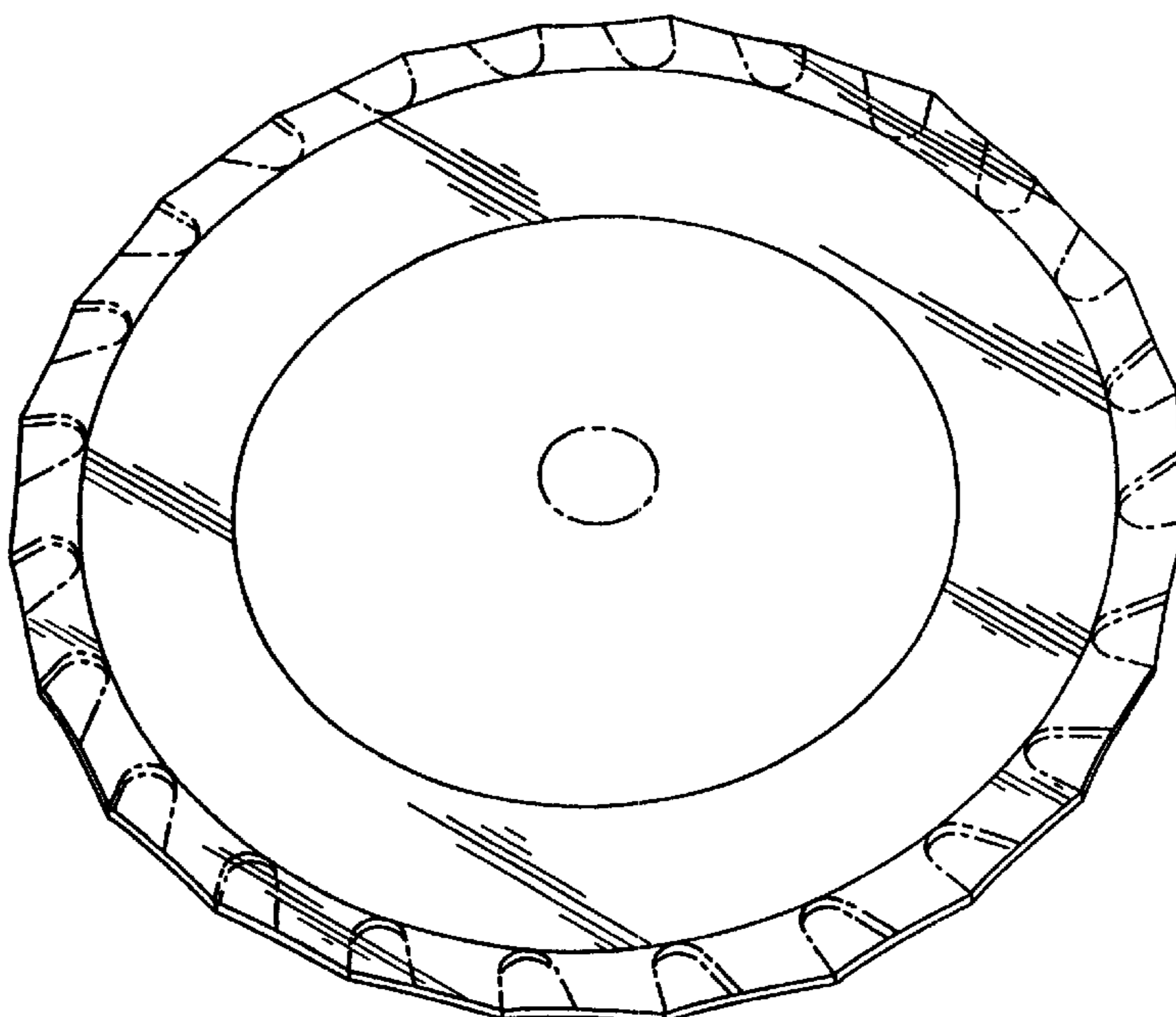


FIG 1

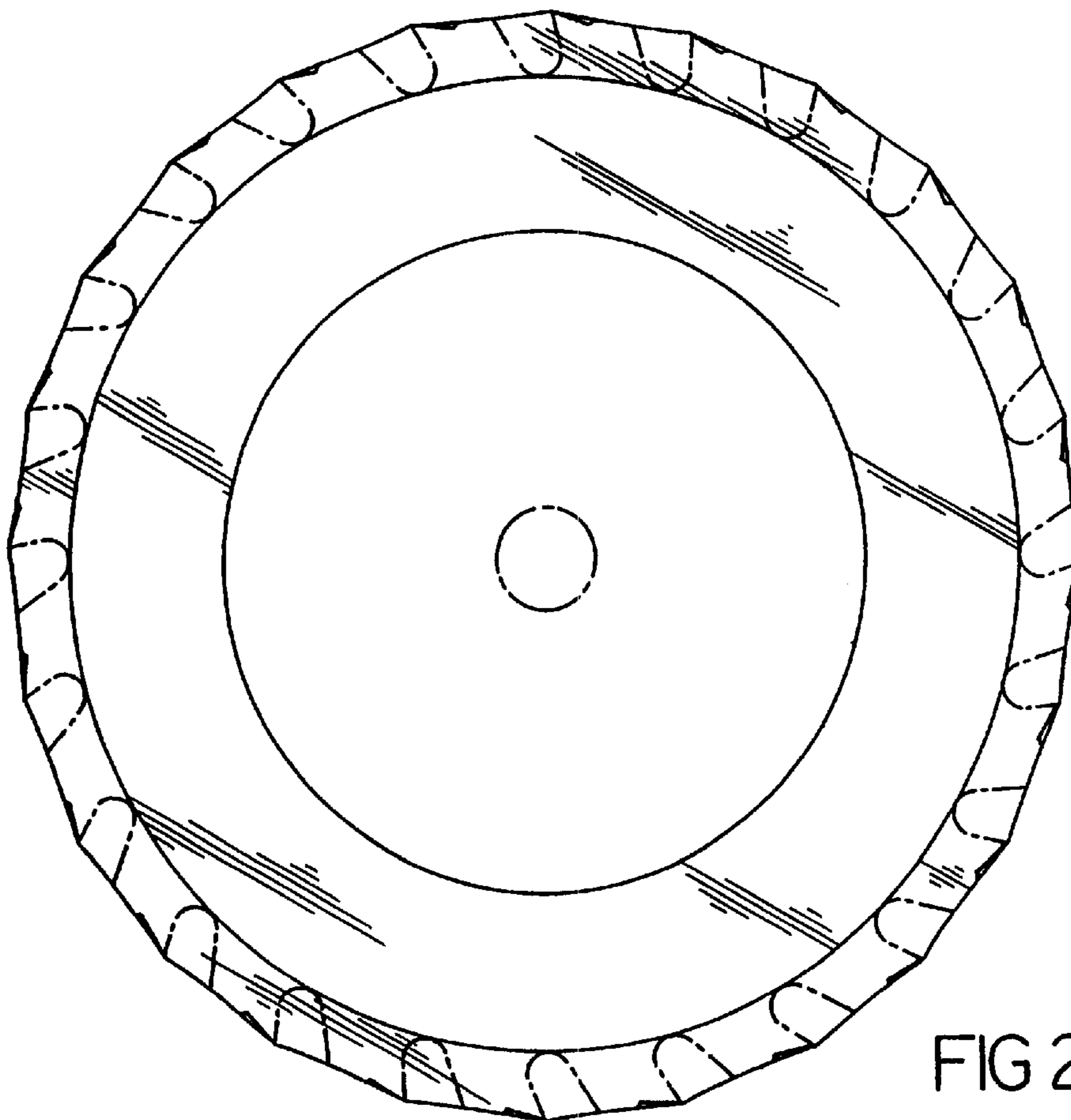
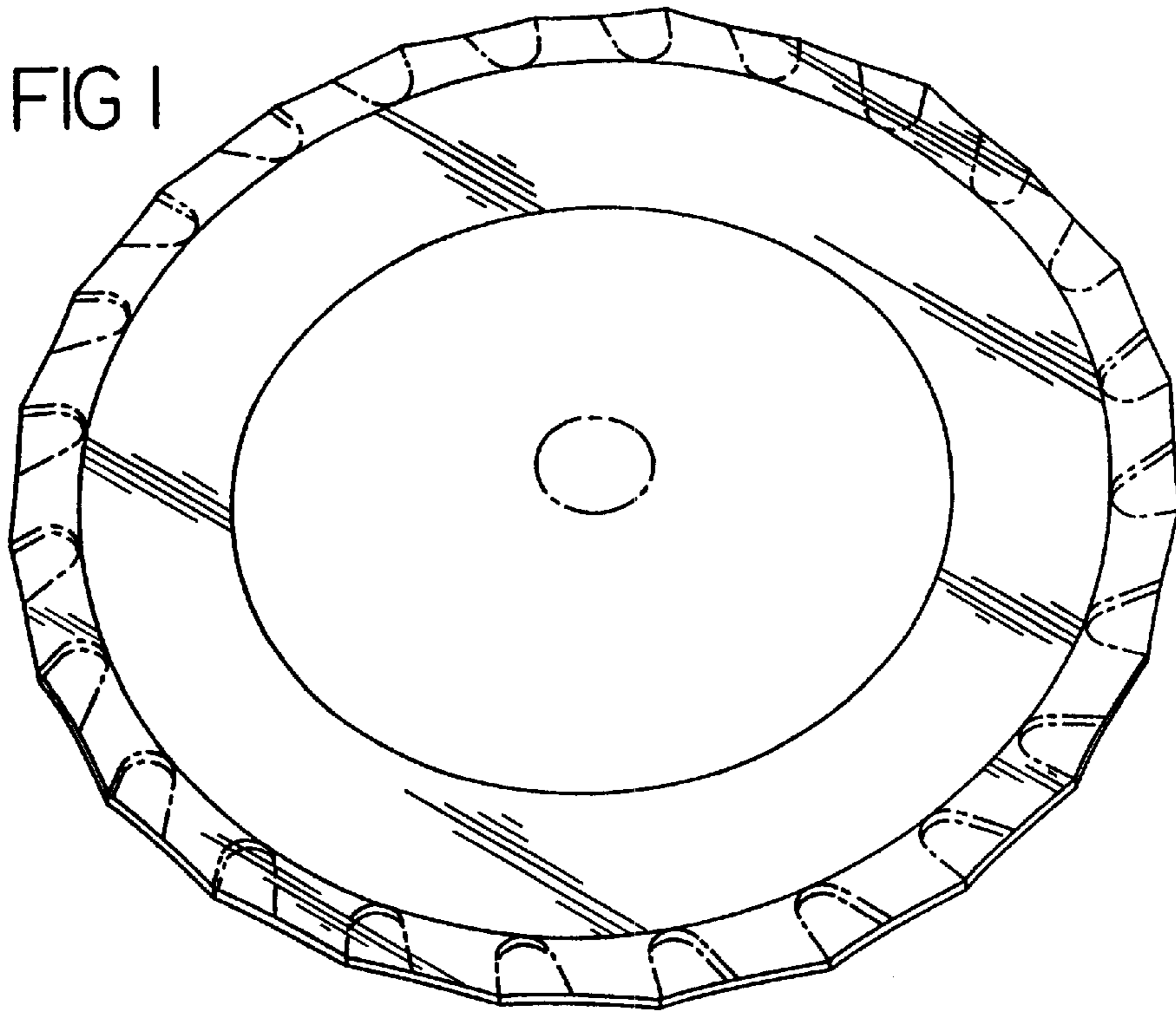


FIG 2

FIG 3

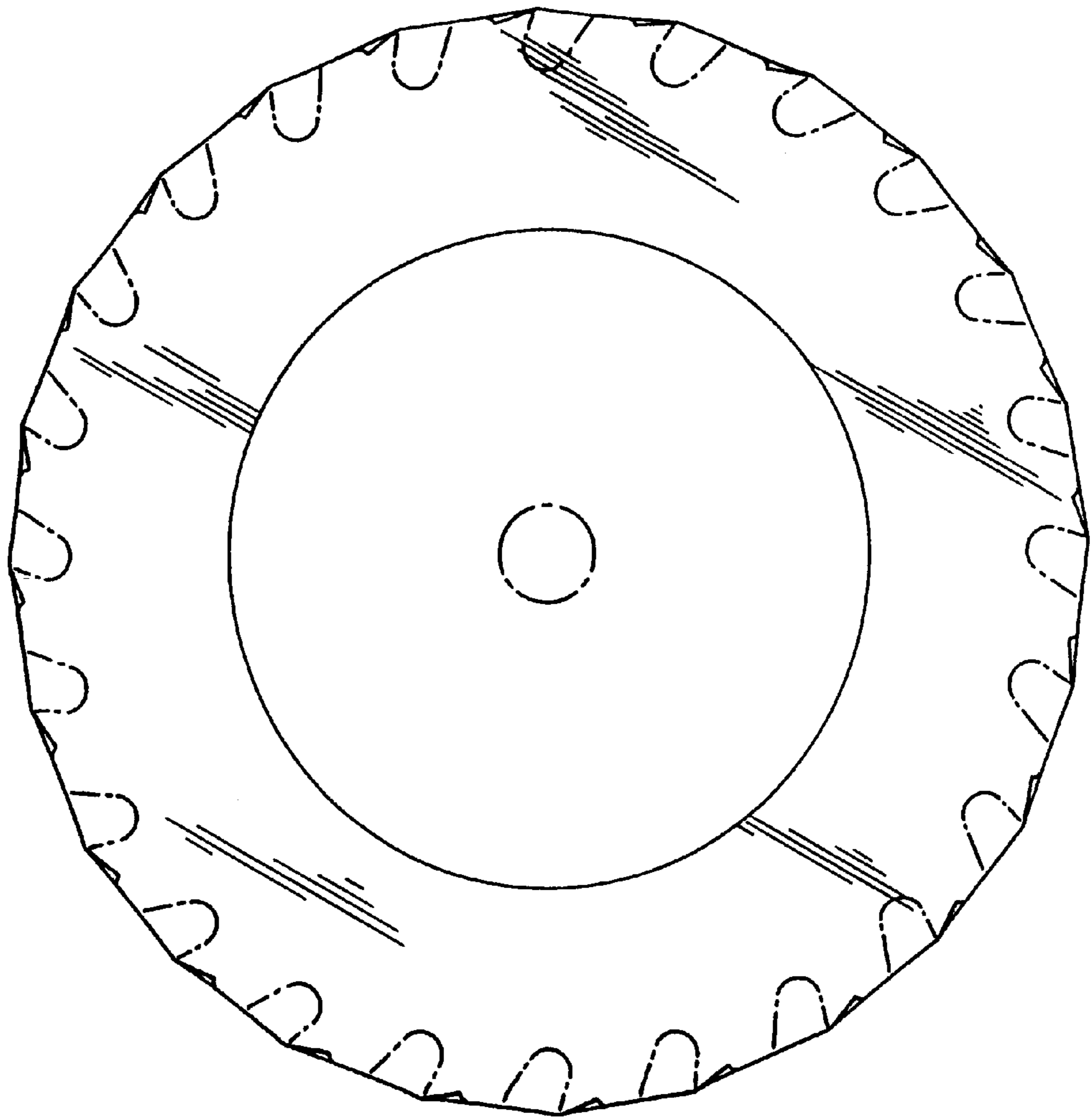


FIG 4

FIG 5

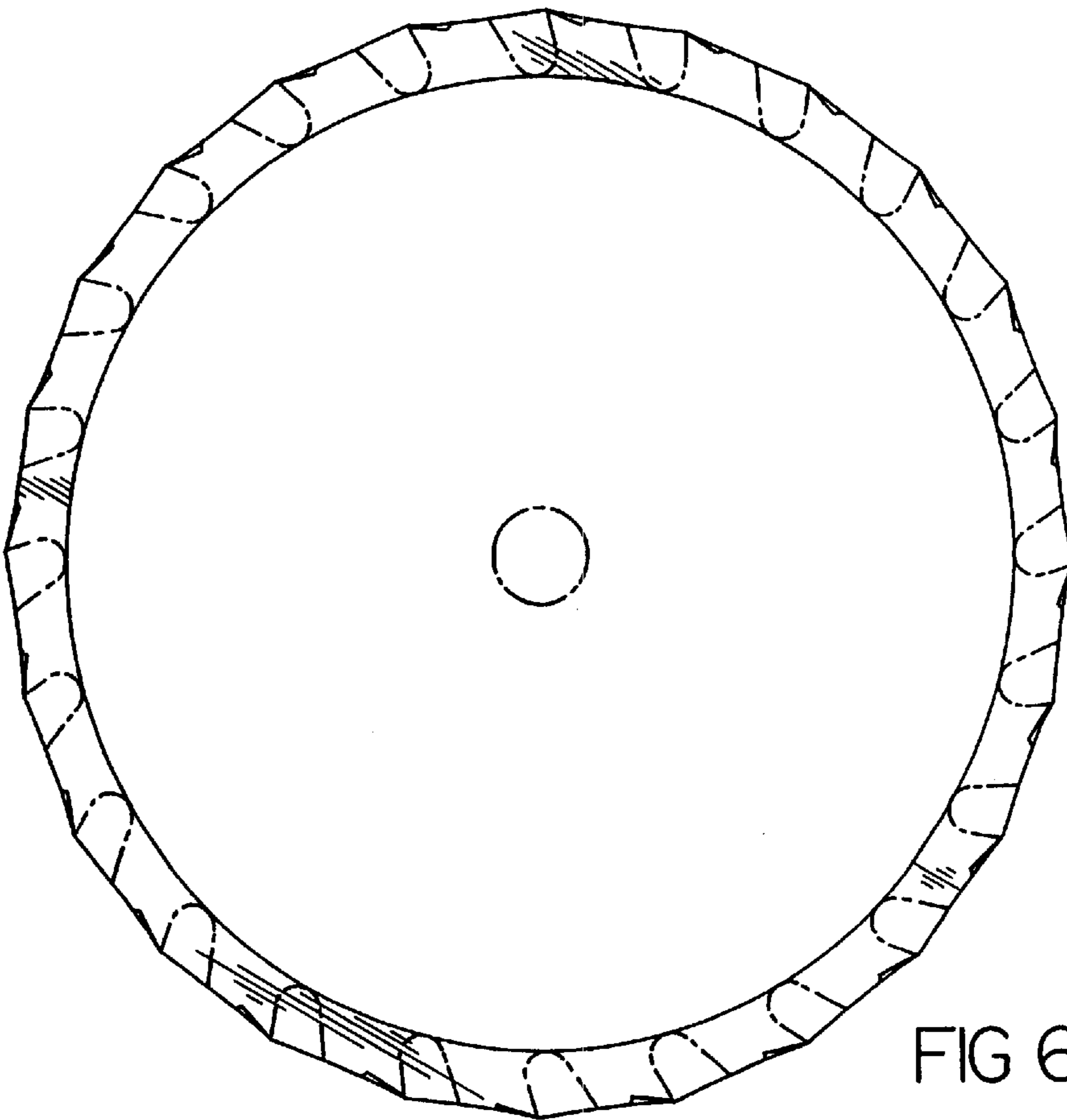
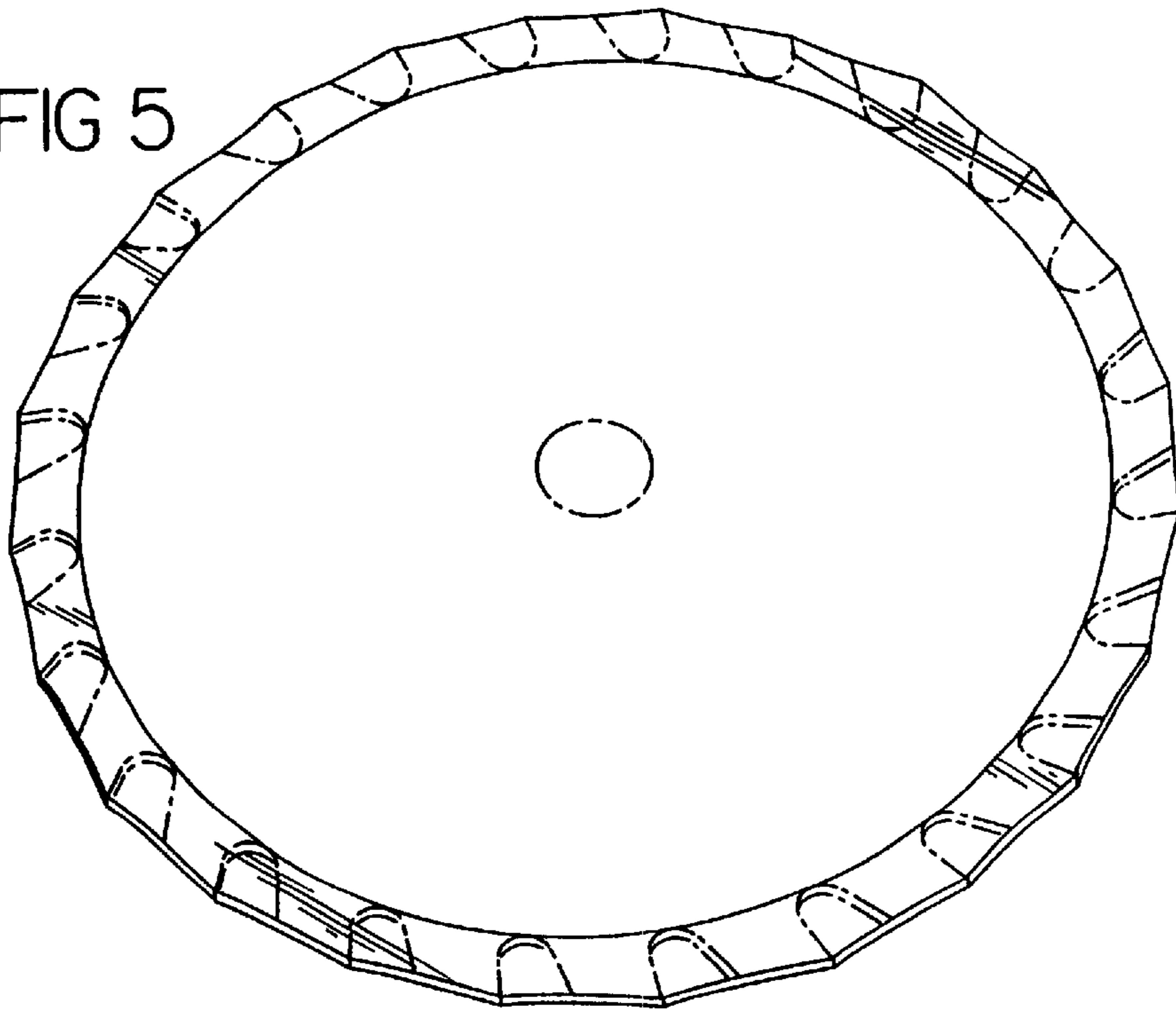


FIG 6

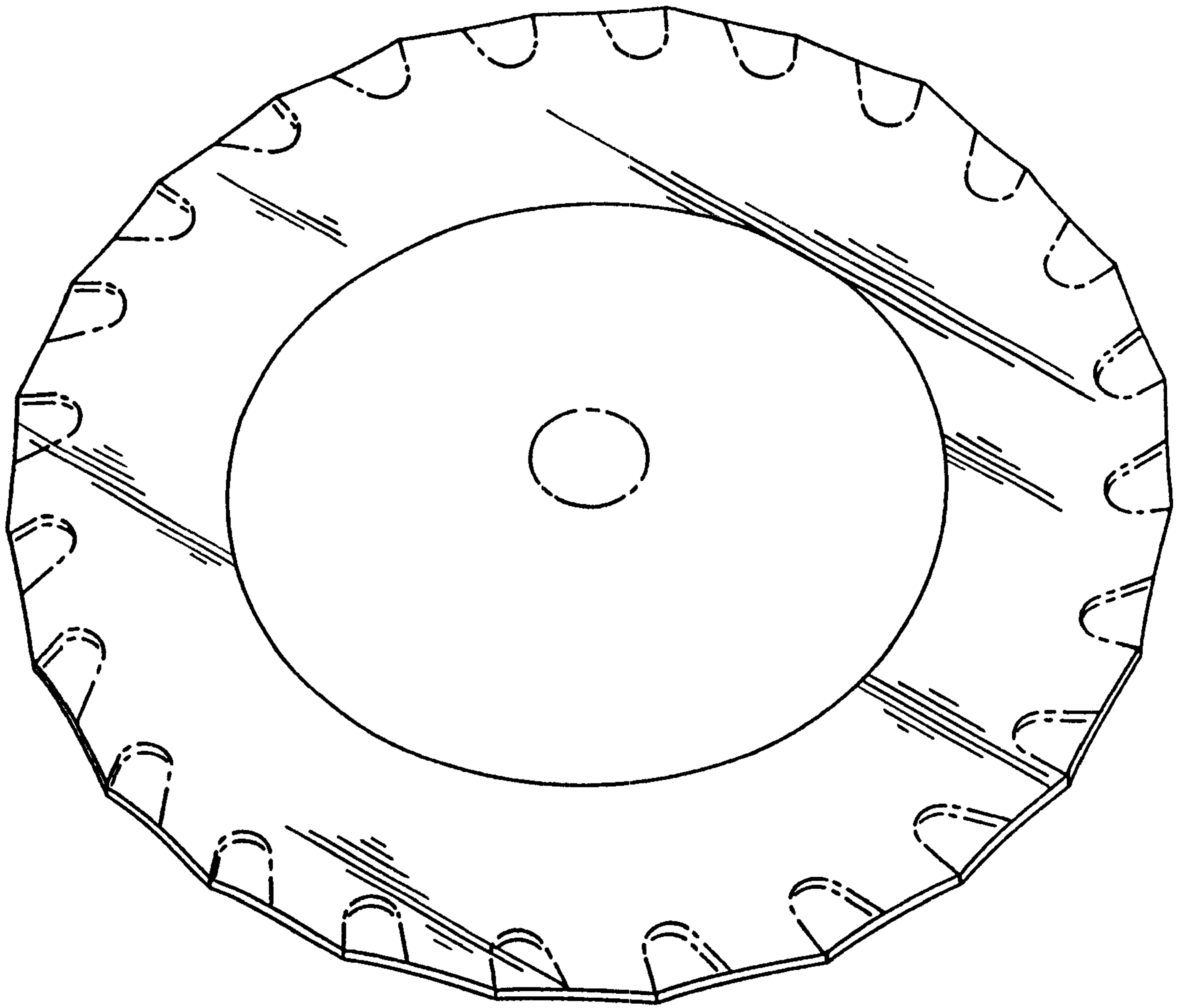


FIG 7