



US00D469352S

(12) **United States Design Patent**
Conti

(10) **Patent No.:** **US D469,352 S**

(45) **Date of Patent:** **** Jan. 28, 2003**

(54) **PLASTIC CONTAINER AND COVER**

6,000,585 A * 12/1999 Stewart et al. 220/304
D442,860 S * 5/2001 Symons et al. D9/428

(75) Inventor: **Rino Conti**, Stoughton, MA (US)

* cited by examiner

(73) Assignee: **Plastican, Inc.**, Leominster, MA (US)

Primary Examiner—Prabhakar Deshmukh

(**) Term: **14 Years**

(74) *Attorney, Agent, or Firm*—Nicholas A. Pandiscio

(21) Appl. No.: **29/154,253**

(57) **CLAIM**

(22) Filed: **Jan. 16, 2002**

The ornamental design for a plastic container and cover, as shown and described.

(51) **LOC (7) Cl.** **09-03**

DESCRIPTION

(52) **U.S. Cl.** **D9/428; D9/424; D9/425**

(58) **Field of Search** D9/424, 425, 428,
D9/429, 431; D7/629; 220/304, 780-783,
288, 770, 771, 675; 206/508, 509, 515;
229/406, 400

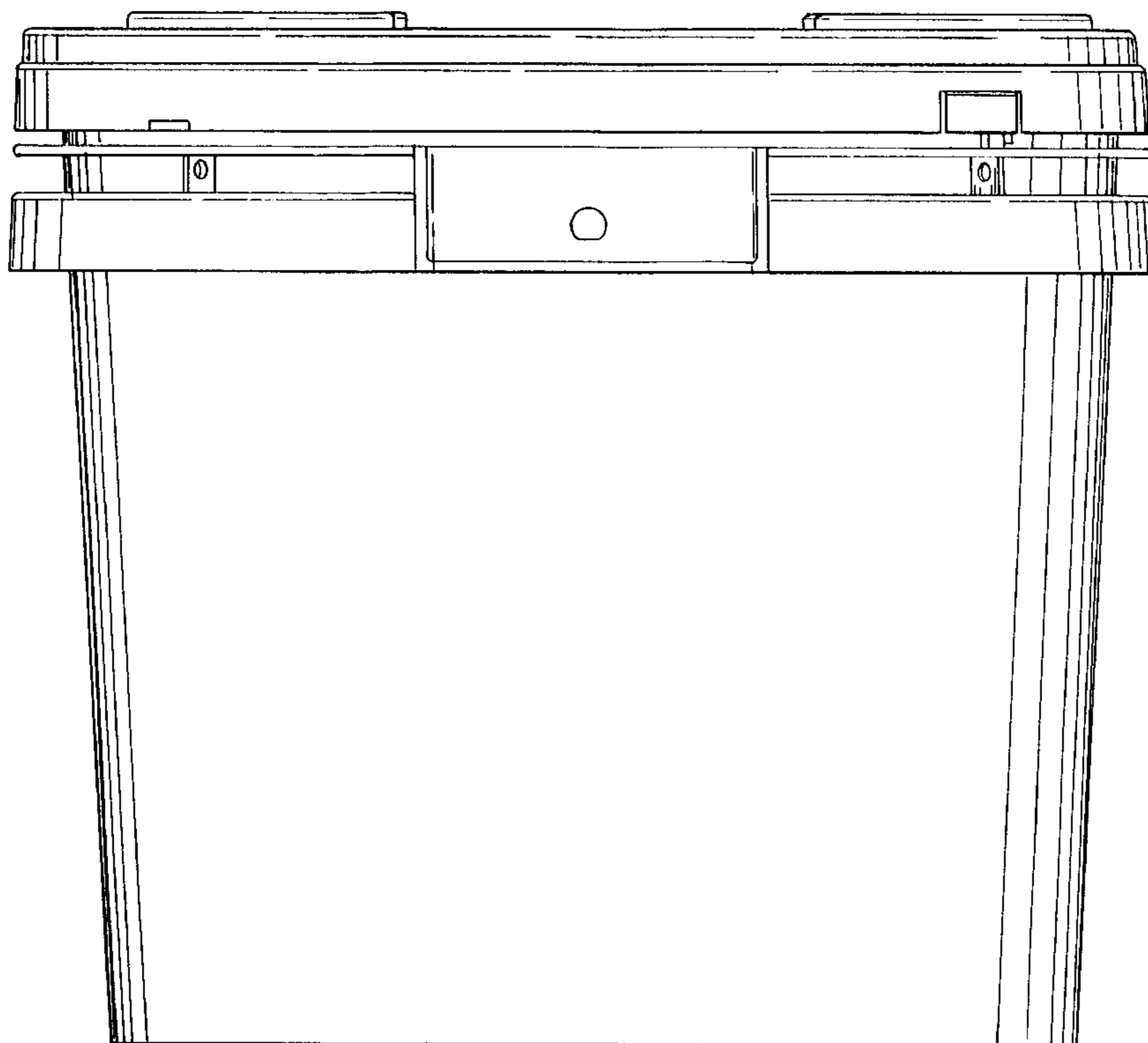
FIG. 1 is a side view in elevation of a plastic container and cover that embody the new design;
FIG. 2 is a side view in elevation of the plastic container and cover rotated 90 degrees from the position of FIG. 1;
FIG. 3 is a top view of the container with cover;
FIG. 4 is a bottom view of the container with cover;
FIG. 5 is a plan view of the cover alone;
FIG. 6 is a bottom view of the cover alone;
FIG. 7 is a side view of the container alone, viewed from the same position as FIG. 1;
FIG. 8 is a plan view of the container alone;
FIG. 9 is a bottom view of the container alone;
FIG. 10 is a sectional view taken along line 10-10 of FIG. 5; and,
FIG. 11 is a sectional view taken along line 11-11 of FIG. 8.

(56) **References Cited**

U.S. PATENT DOCUMENTS

3,470,927 A * 10/1969 Craig 220/304
3,811,597 A 5/1974 Frankenberg 220/60
D317,126 S * 5/1991 Morris, Jr. D9/428
5,150,804 A * 9/1992 Blanchet et al. 206/508
5,207,345 A 5/1993 Stewart 220/254
D359,903 S * 7/1995 Arshinoff et al. D9/428
D361,956 S * 9/1995 Moore D9/428
D376,512 S * 12/1996 Klemme D9/428
5,769,229 A * 6/1998 Andress et al. 220/781
5,944,214 A 8/1999 Conti 220/304

1 Claim, 11 Drawing Sheets



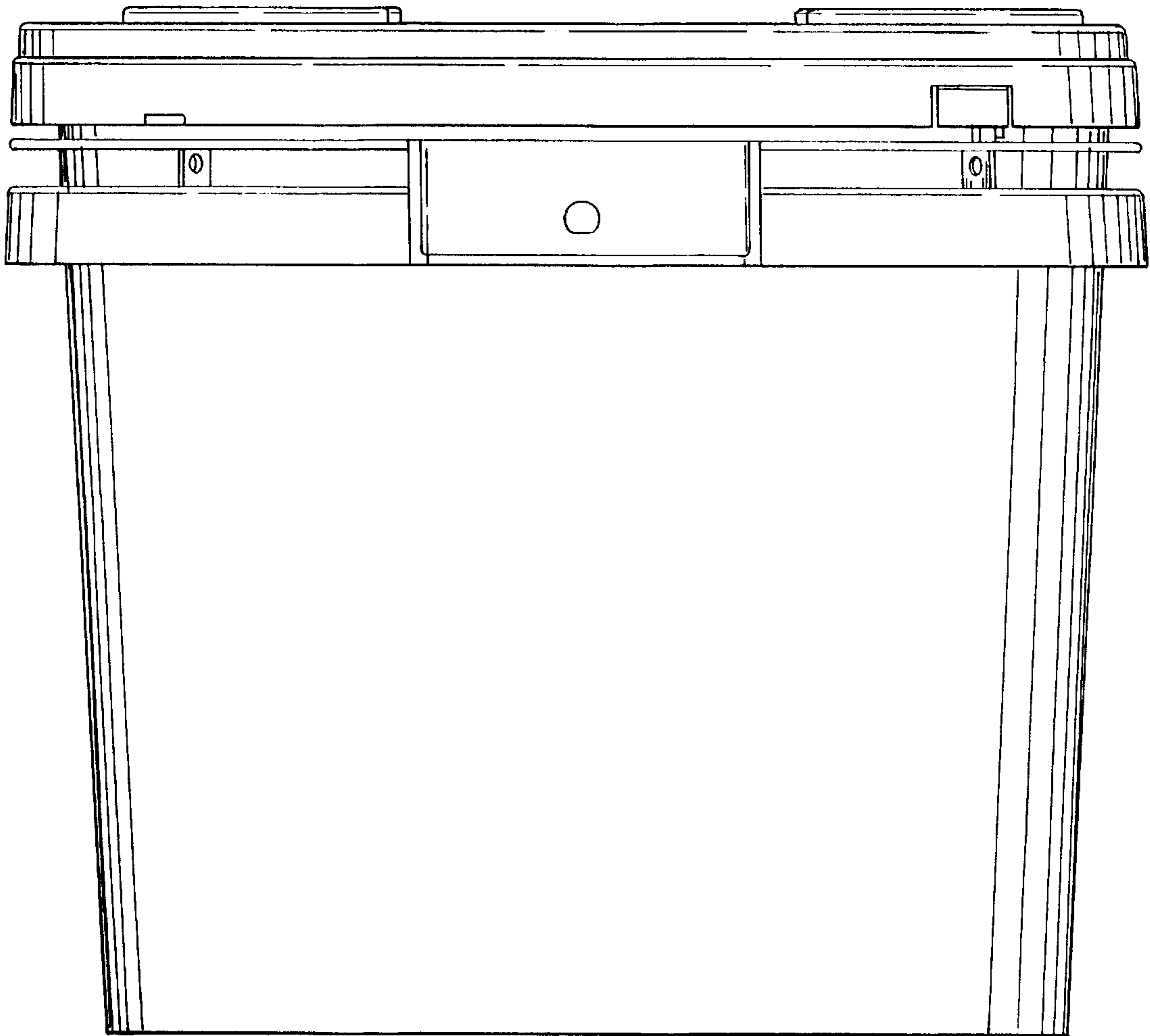


FIG. 1

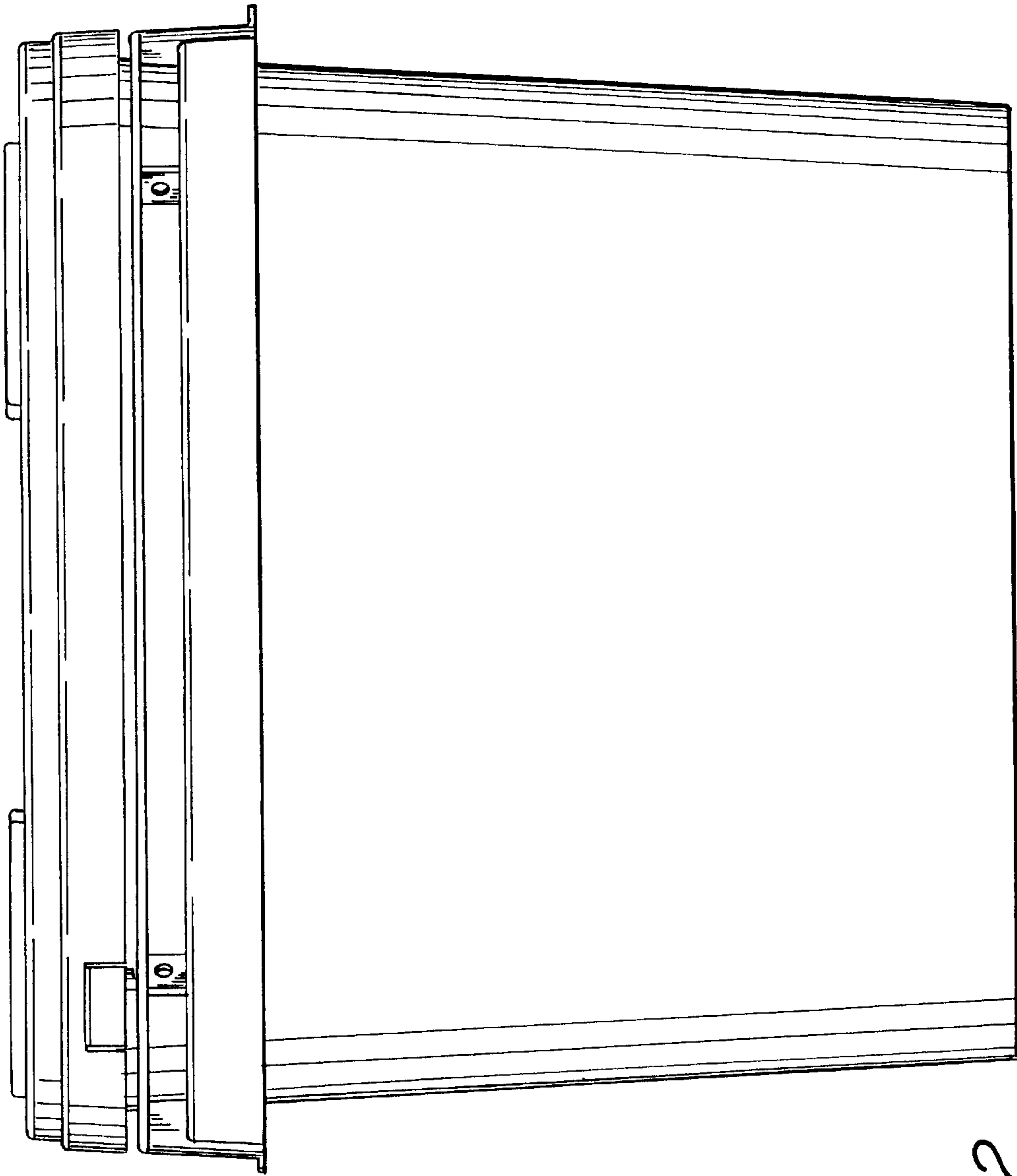


FIG. 2

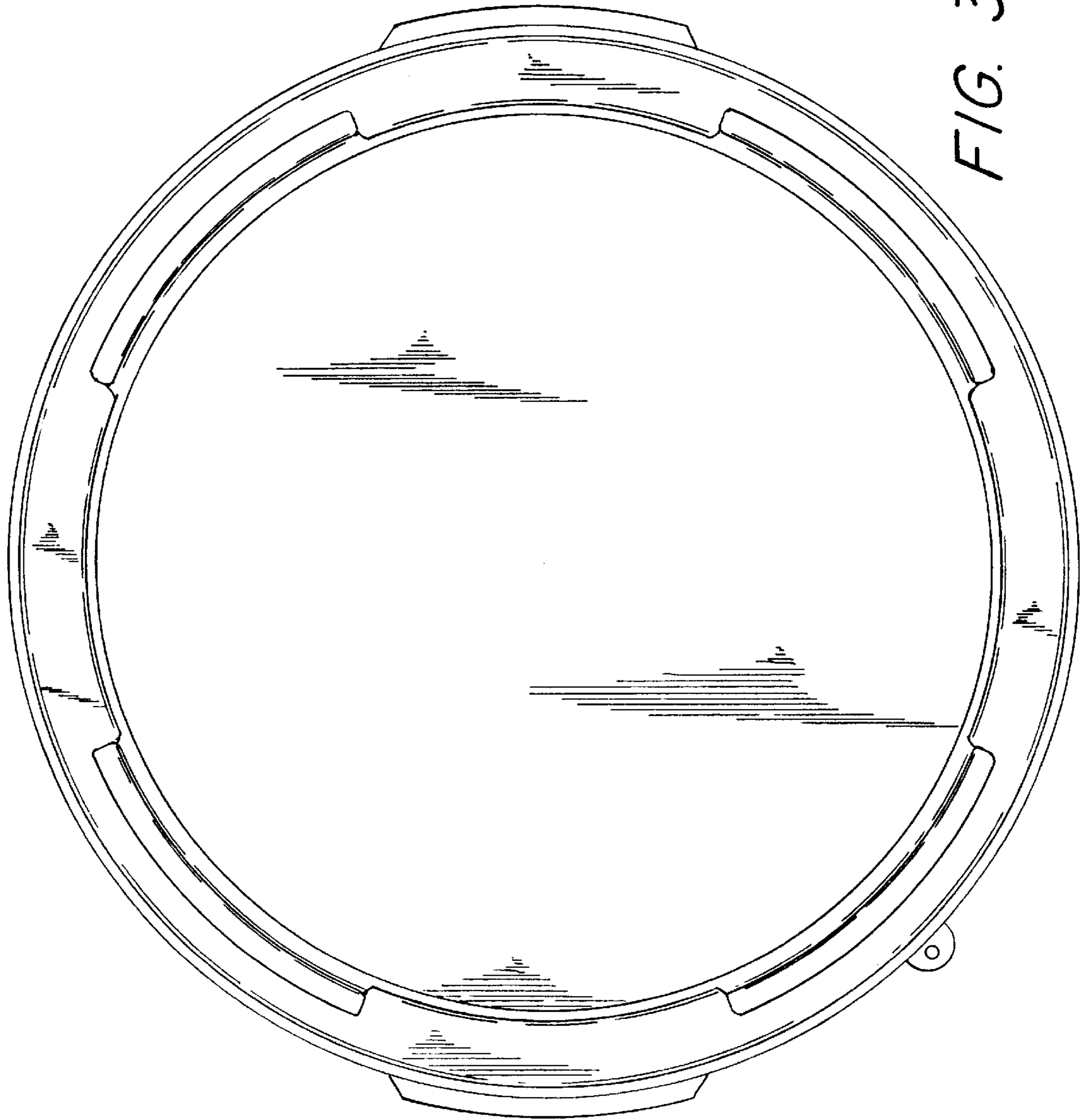


FIG. 3

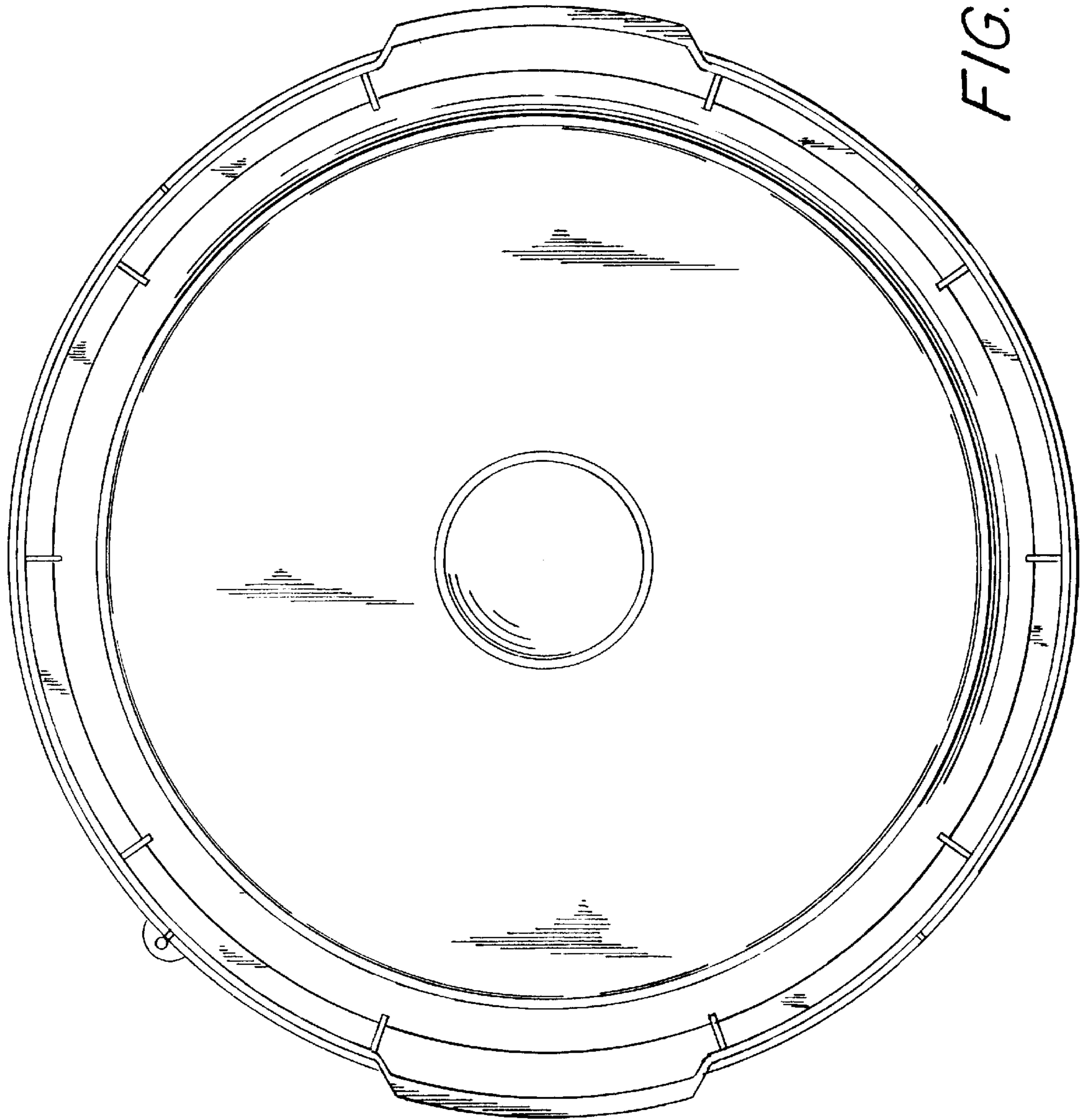


FIG. 4

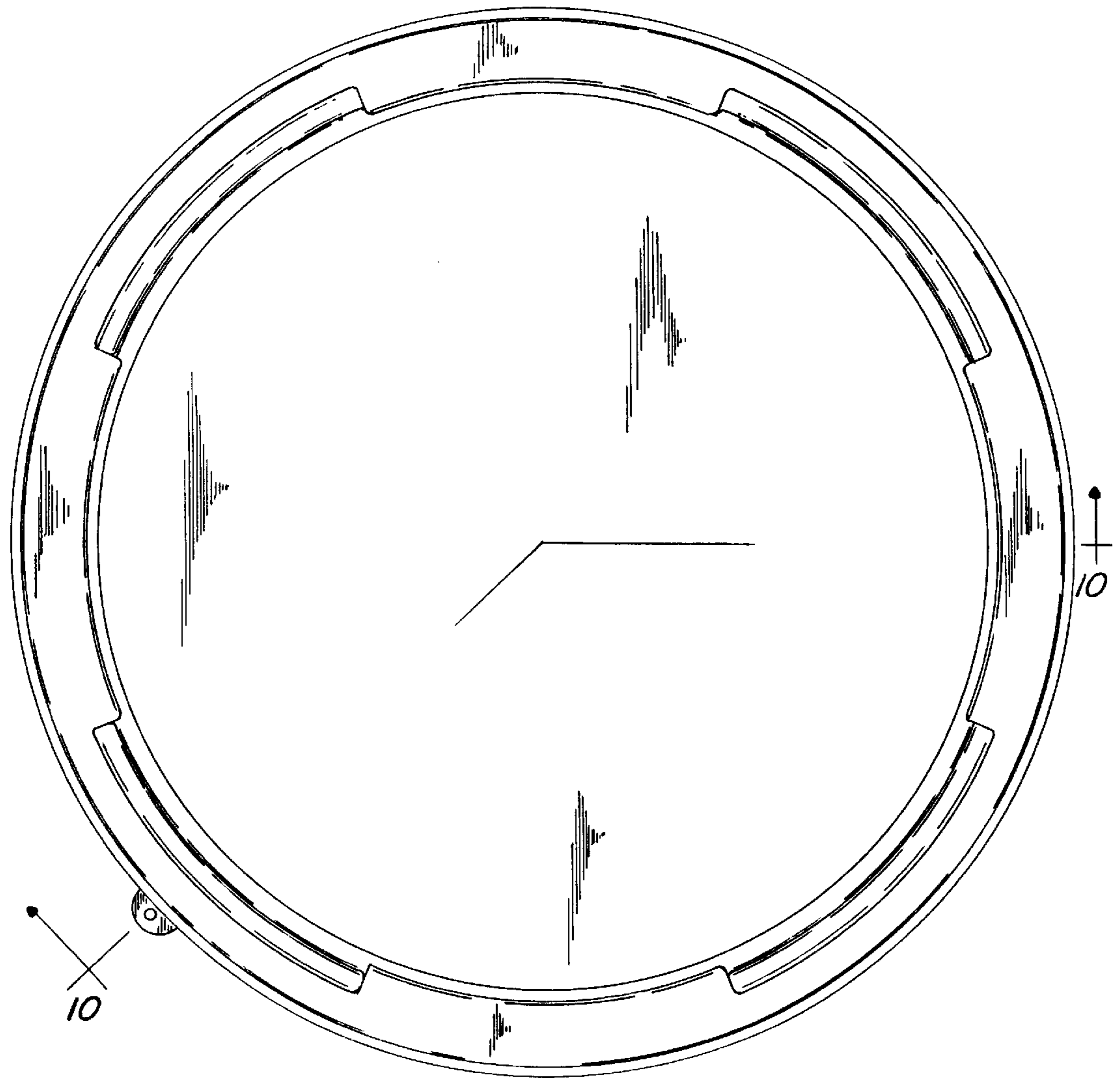


FIG. 5

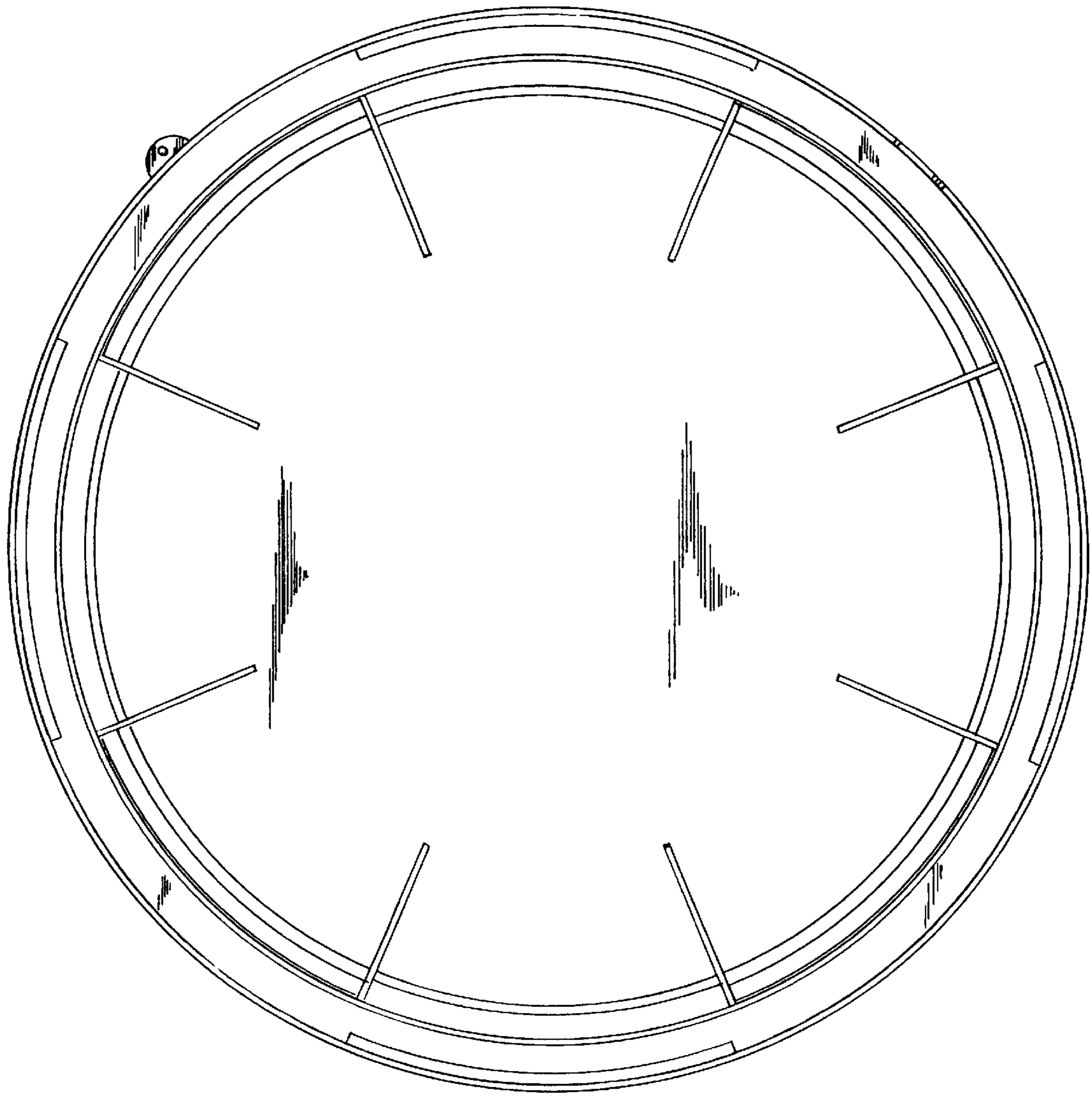


FIG. 6

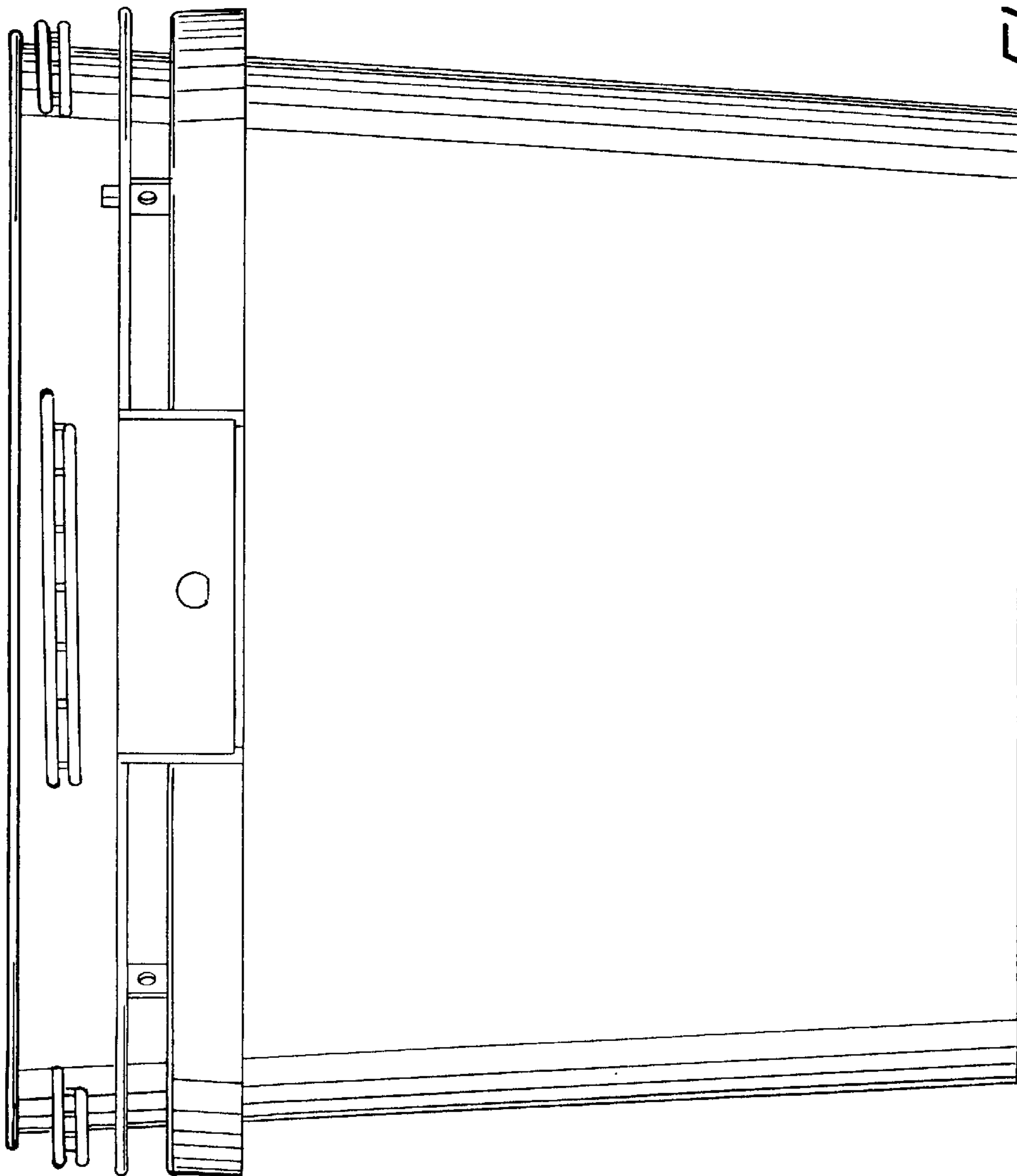


FIG. 7

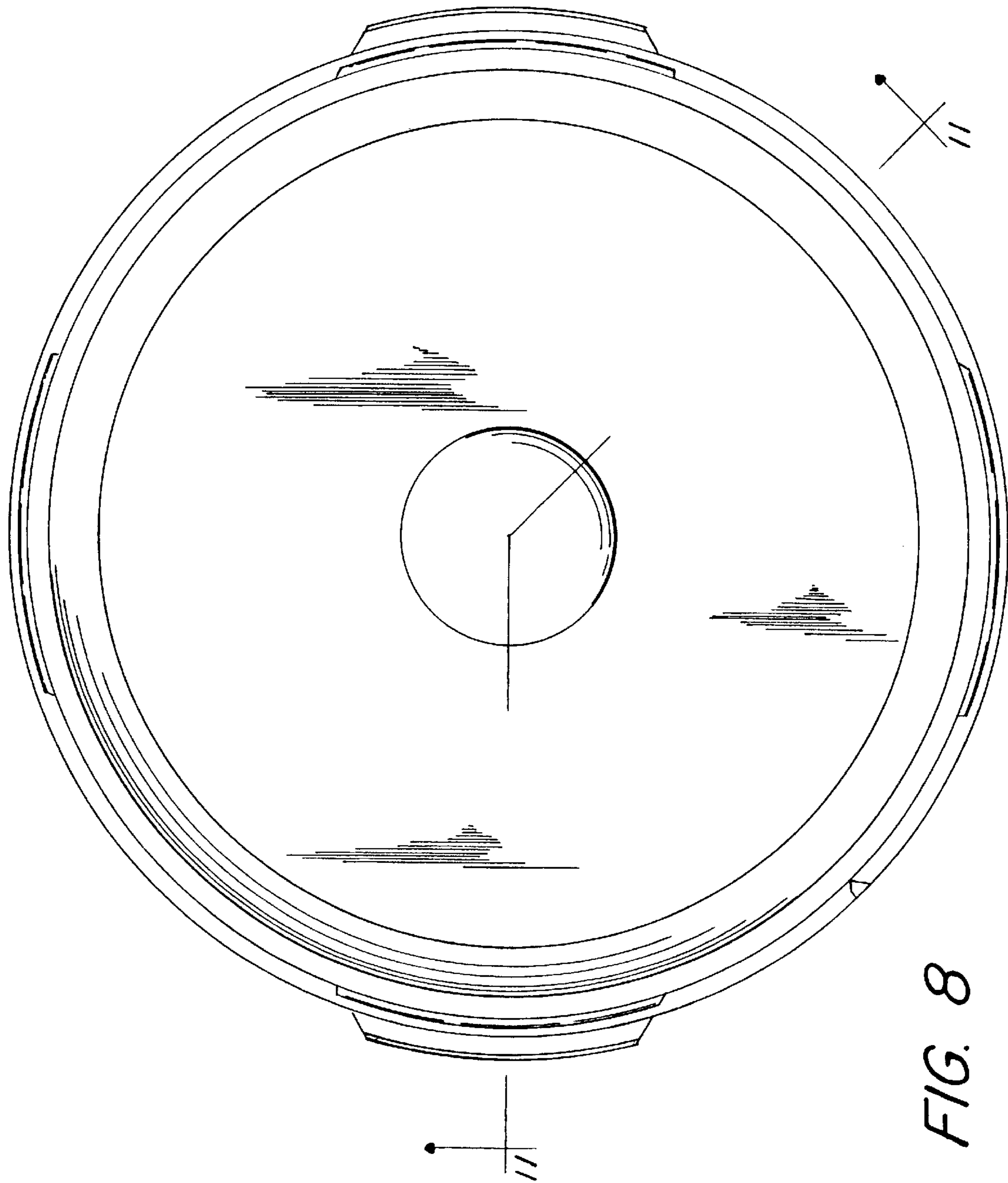


FIG. 8

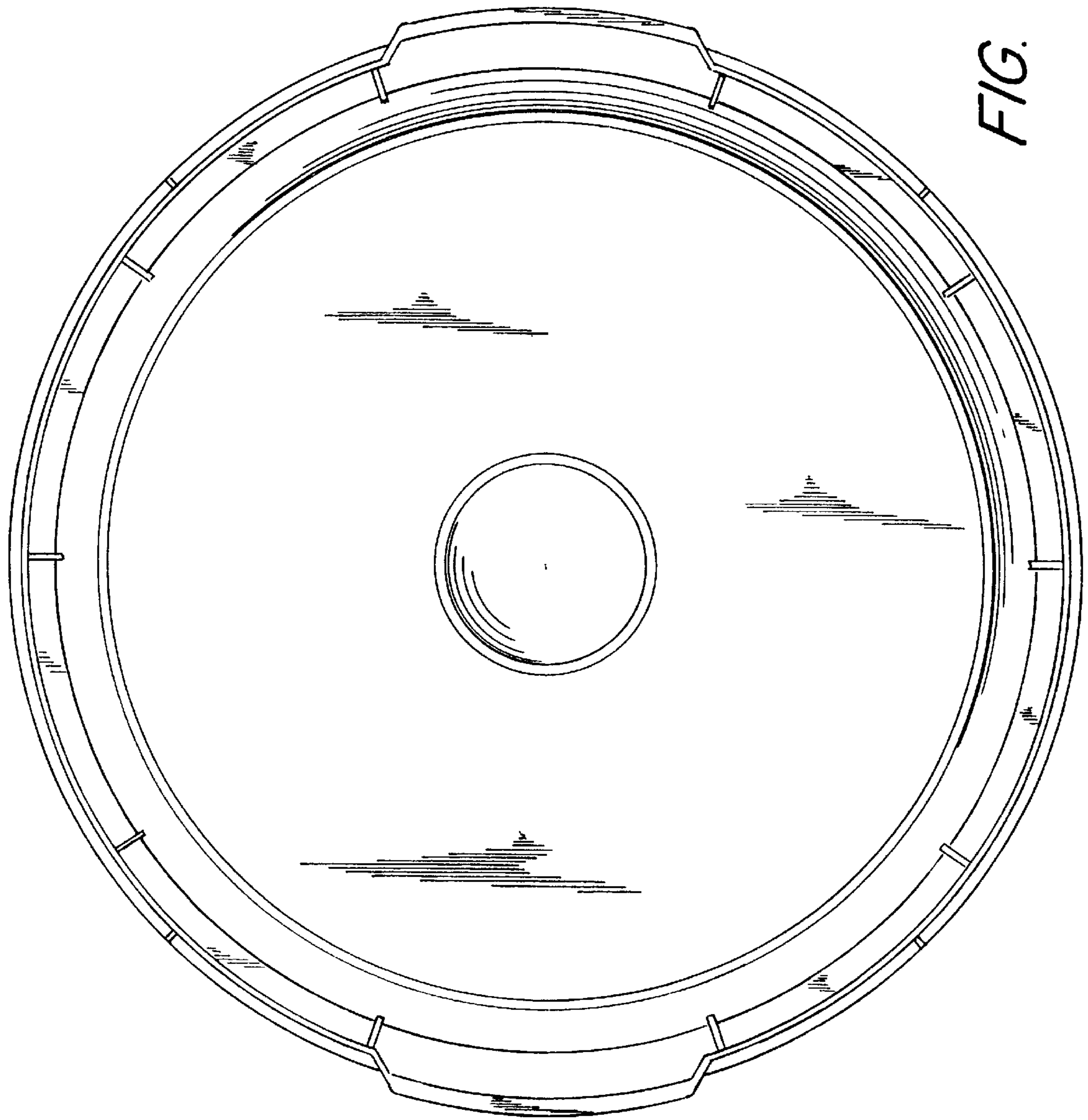


FIG. 9

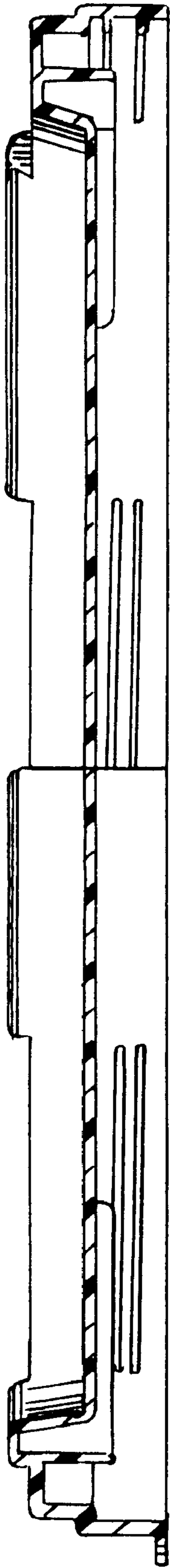


FIG. 10

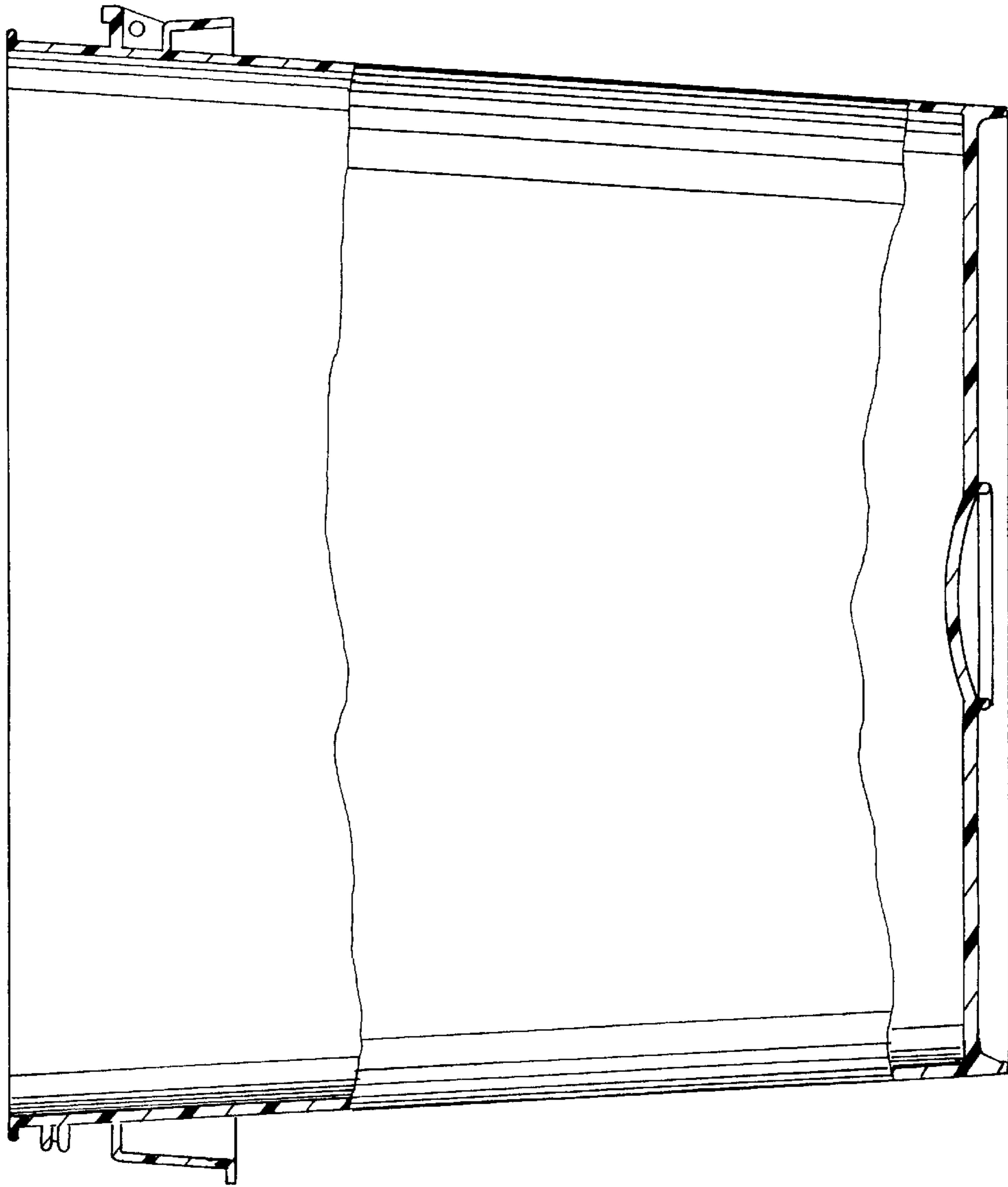


FIG. 11