



US00D469349S

(12) **United States Design Patent**
Meeker et al.

(10) **Patent No.:** **US D469,349 S**

(45) **Date of Patent:** **** Jan. 28, 2003**

(54) **WINDOW FOR PACKAGE**

(75) Inventors: **Shane Edwin Meeker**, Maineville, OH (US); **Julie E. Savchenko**, Cincinnati, OH (US)

(73) Assignee: **The Procter & Gamble Company**, Cincinnati, OH (US)

(**) Term: **14 Years**

(21) Appl. No.: **29/152,362**

(22) Filed: **Dec. 17, 2001**

(51) **LOC (7) Cl.** **09-03**

(52) **U.S. Cl.** **D9/418**

(58) **Field of Search** D9/418, 432, 430, D9/431; 206/769-771, 775-783; 229/162; 220/601, 602, 661, 662

(56) **References Cited**

U.S. PATENT DOCUMENTS

- D92,563 S * 6/1934 Sickel D9/418
- 2,013,227 A * 9/1935 Wilson D9/418 X
- 2,290,104 A * 7/1942 Larson 206/781
- 2,980,242 A * 4/1961 Miller 206/781
- 3,057,466 A * 10/1962 Blondre et al. 206/781
- 3,118,533 A * 1/1964 Curtis 206/776

- D227,351 S * 6/1973 Winton D9/418
- D297,415 S * 8/1988 Gavin et al. D9/418
- 5,119,940 A * 6/1992 Grindrod 206/769
- D337,268 S * 7/1993 Detert et al. D9/418
- D386,079 S * 11/1997 Harper D9/418

* cited by examiner

Primary Examiner—Prabhakar Deshmukh

(74) *Attorney, Agent, or Firm*—Jason J. Camp; Kim William Zerby; Steven W. Miller

(57) **CLAIM**

The ornamental design for a window for package, as shown and described.

DESCRIPTION

FIG. 1 is a perspective view of a window for package embodying the design;

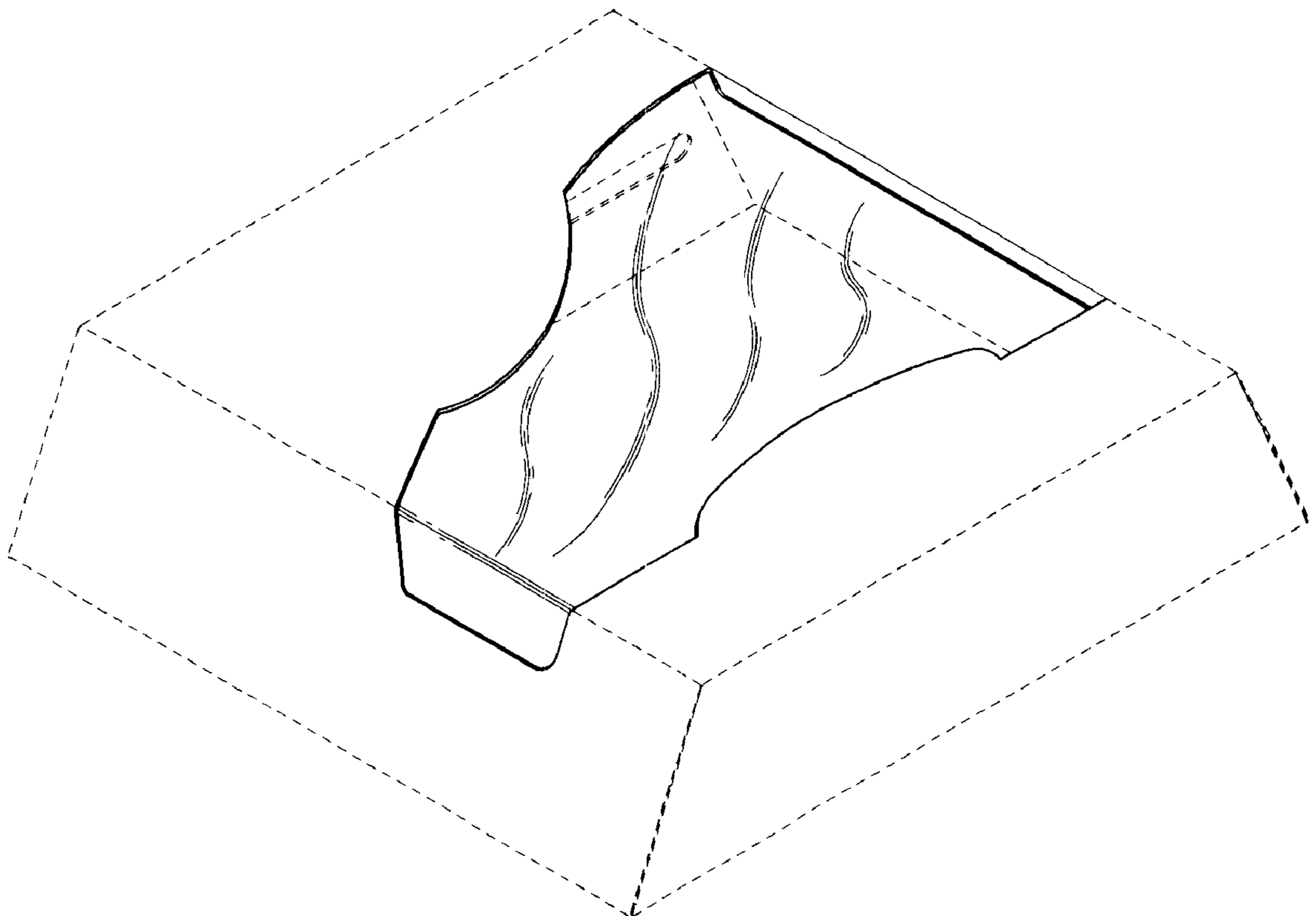
FIG. 2 is a front view of a window for package embodying the design;

FIG. 3 is a side view of a window for package embodying the design; and,

FIG. 4 is a side view of a window for package embodying the design.

The broken lines are for illustrative purpose only and form no part of the claimed design.

1 Claim, 1 Drawing Sheet



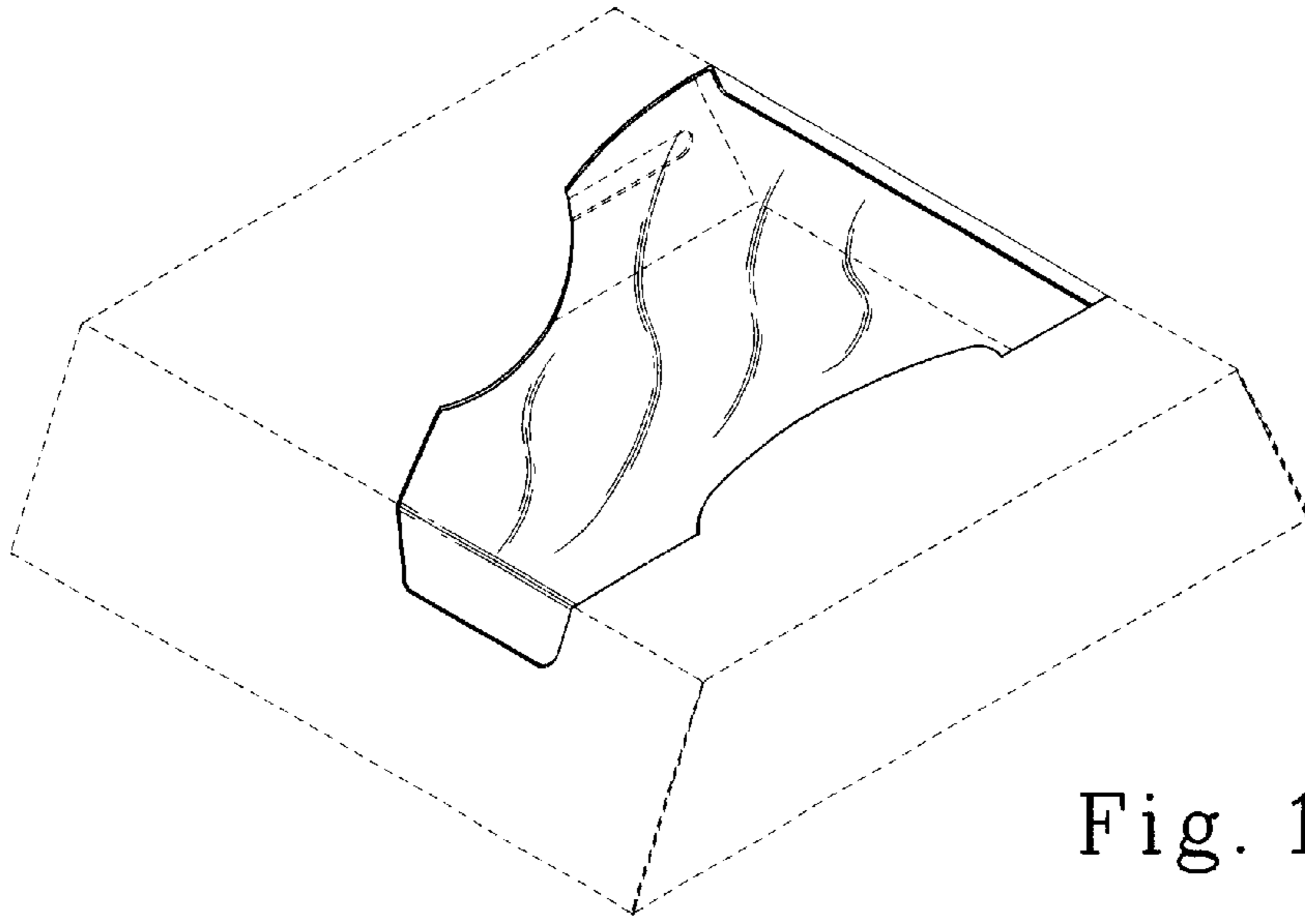


Fig. 1

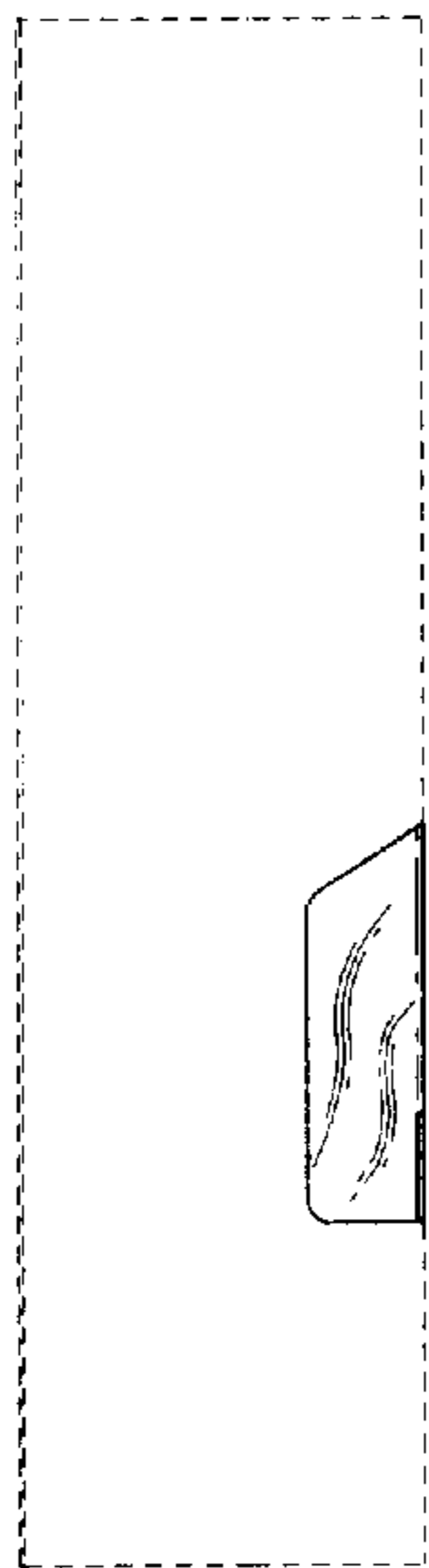


Fig. 3

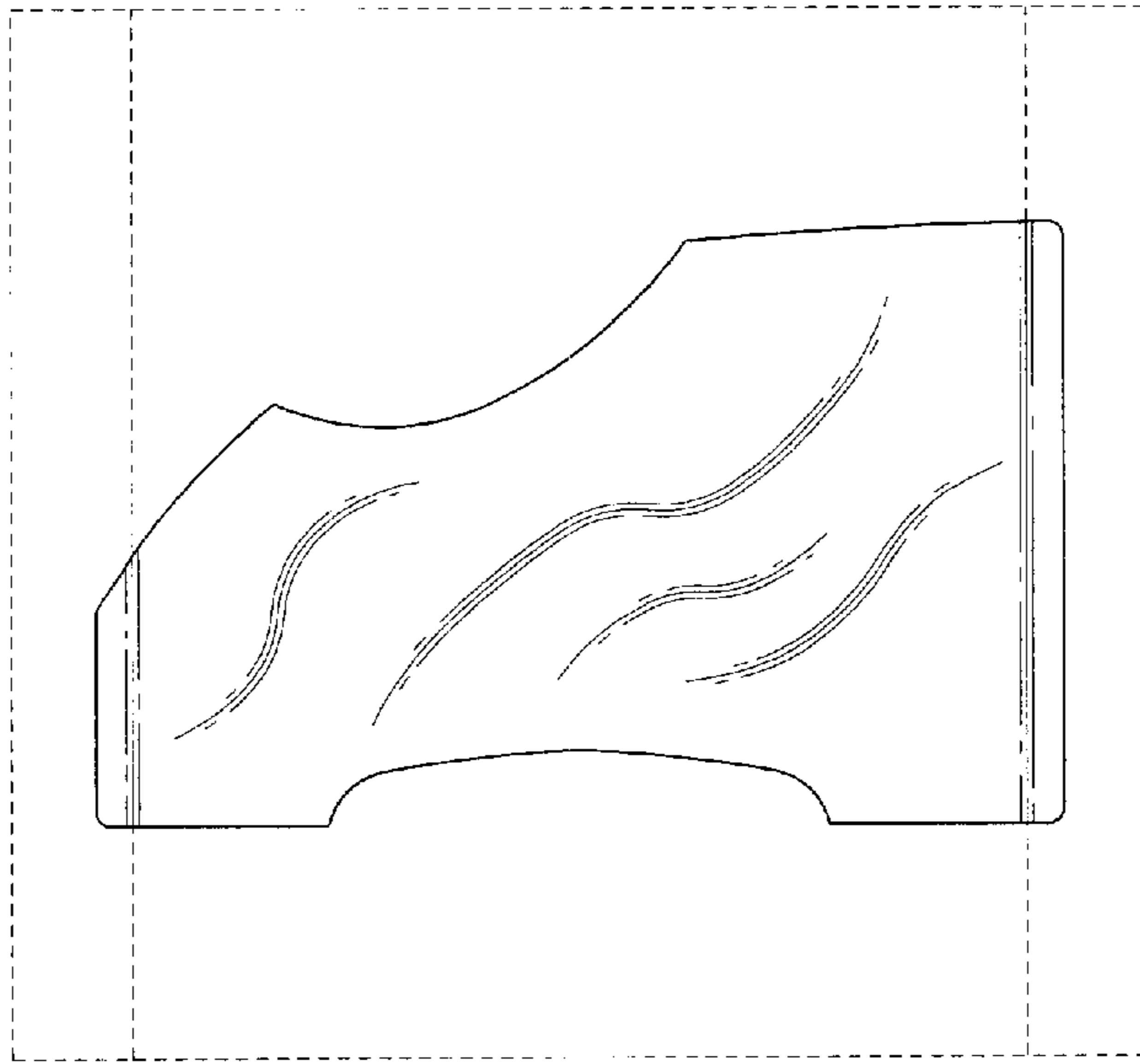


Fig. 2

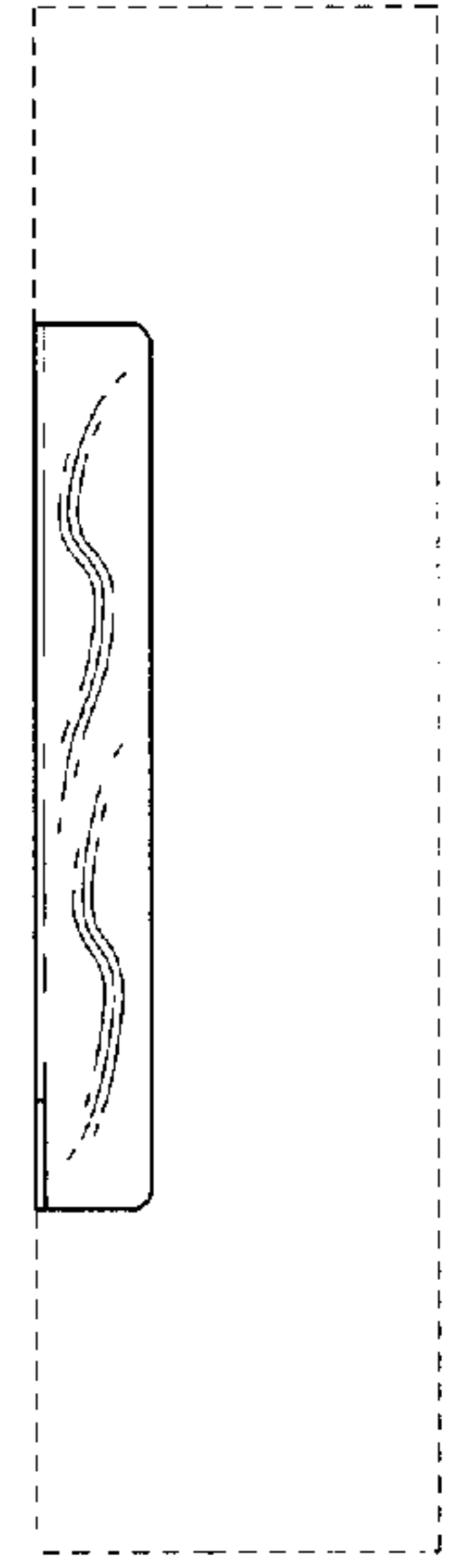


Fig. 4