



US00D469348S

(12) **United States Design Patent**
Demus et al.

(10) **Patent No.:** **US D469,348 S**

(45) **Date of Patent:** **** Jan. 28, 2003**

(54) **ACCESSORY CLAMSHELL DESIGN**

(74) *Attorney, Agent, or Firm*—McDermott, Will & Emery

(75) Inventors: **Jame Michael Demus**, Piscataway, NJ (US); **Kim Vanderhoof**, Morristown, NJ (US)

(57) **CLAIM**

The ornamental design for a accessory clamshell design, substantially as shown and described.

(73) Assignee: **CFLCO Partnership**, Bedminster, NJ (US)

DESCRIPTION

(**) Term: **14 Years**

(21) Appl. No.: **29/152,440**

FIG. 1 is a perspective view of an embodiment of the inventive accessory clamshell design on a container illustrating the pear-shaped feature together with two bars transversing the pear-shaped feature.

(22) Filed: **Dec. 21, 2001**

FIG. 2 is a front view thereof;

(51) **LOC (7) Cl.** **09-03**

FIG. 3 is a back view thereof;

(52) **U.S. Cl.** **D9/415**

FIG. 4 is a side view thereof;

(58) **Field of Search** D9/415, 418, 414, D9/456; 206/461–471, 495, 806

FIG. 5 is the opposite side view thereof;

FIG. 6 is a top view thereof;

FIG. 7 is a bottom view thereof;

(56) **References Cited**

U.S. PATENT DOCUMENTS

D298,742 S	*	11/1988	Didia	D9/415
4,795,029 A	*	1/1989	Cambell et al.	206/471
D447,937 S	*	9/2001	Tsuruishi et al.	D9/415
D451,015 S	*	11/2001	Otto	D9/415
6,330,945 B1	*	12/2001	Reimer	206/471
6,345,716 B1	*	2/2002	Chapman	206/471
D454,300 S	*	3/2002	Pirro et al.	D9/415

FIG. 8 is a perspective view of another embodiment of the accessory clamshell design illustrating the pear-shaped feature together with seven transversing bars;

FIG. 9 is a perspective view of another embodiment of the accessory clamshell design; and,

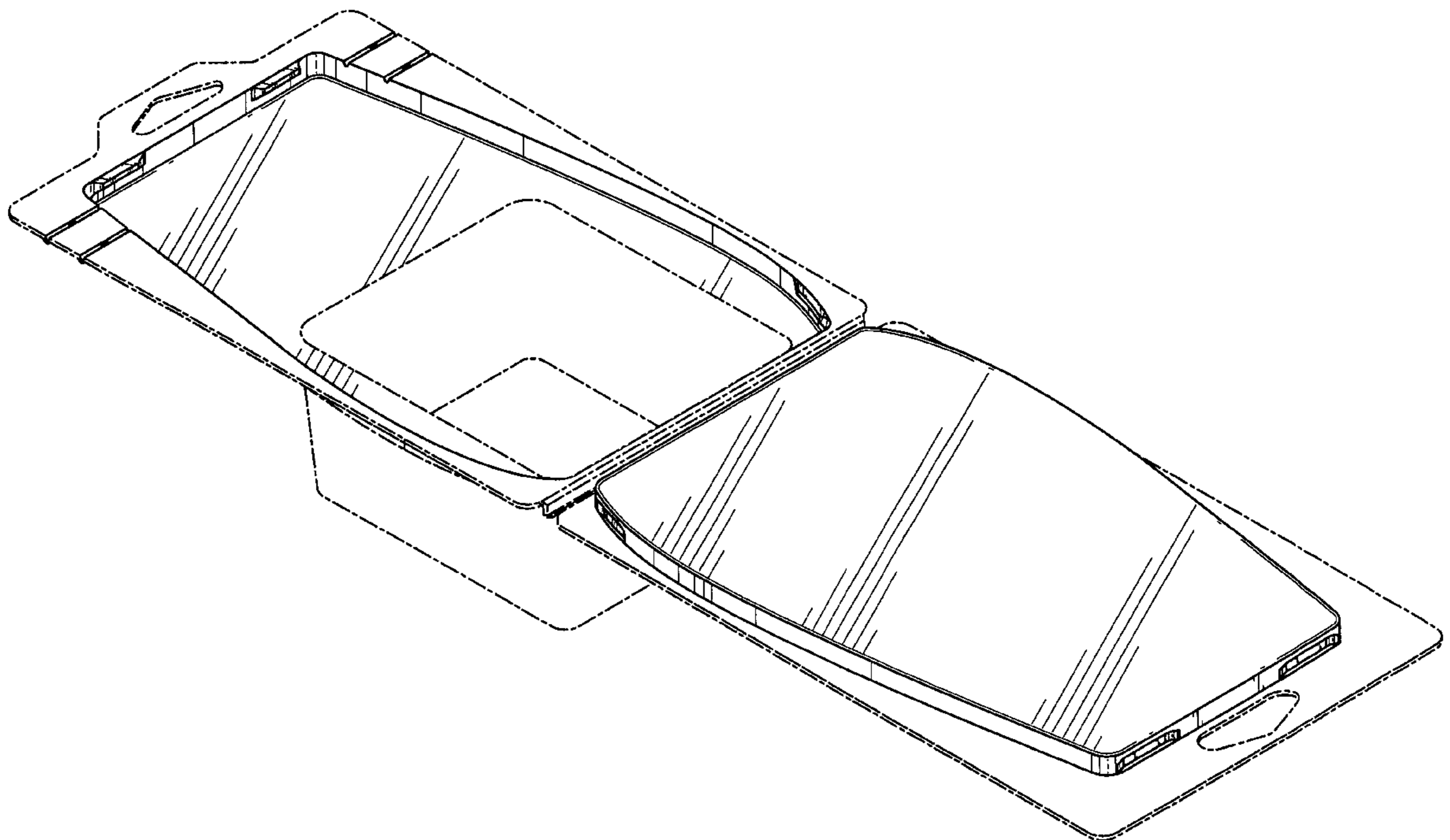
FIG. 10 illustrates a container having the accessory clamshell design embodied in FIG. 9 in its open position.

The broken lines are for illustrative purpose only and forms no part of the claimed design. The inside boundary of the clamshell package is defined by the broken lines around the blister.

* cited by examiner

Primary Examiner—Prabhakar Deshmukh

1 Claim, 9 Drawing Sheets



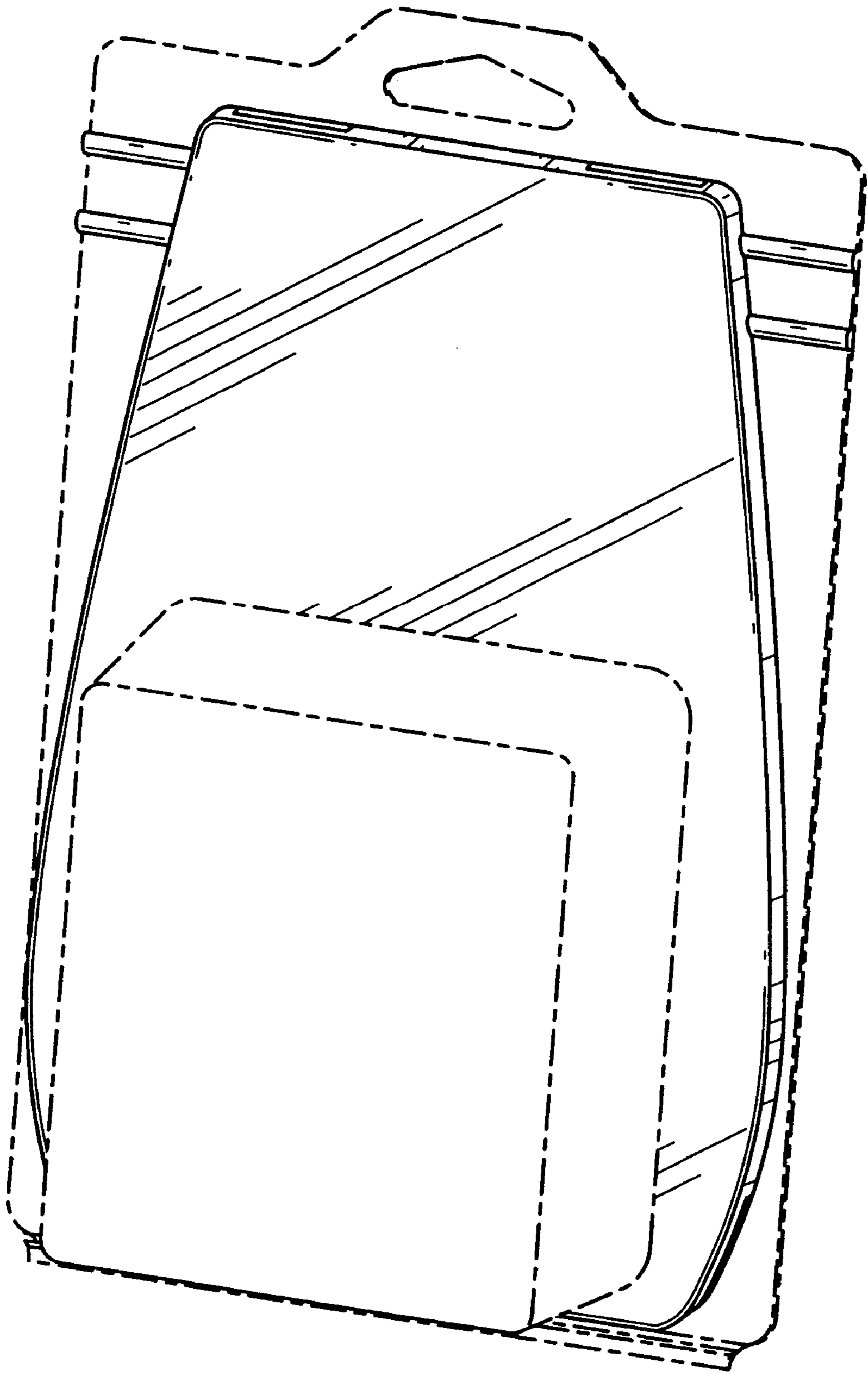


FIG. 1

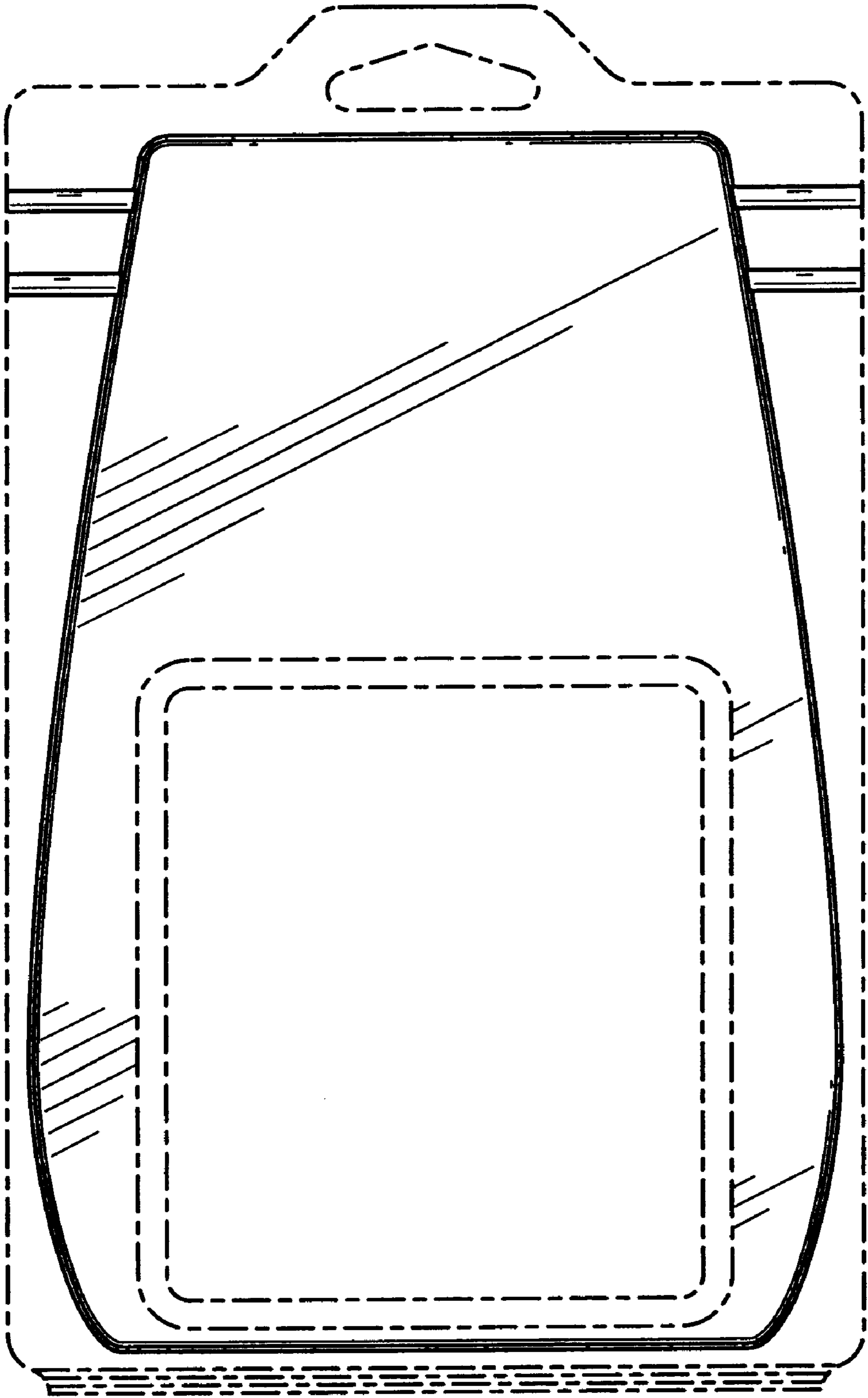


FIG. 2

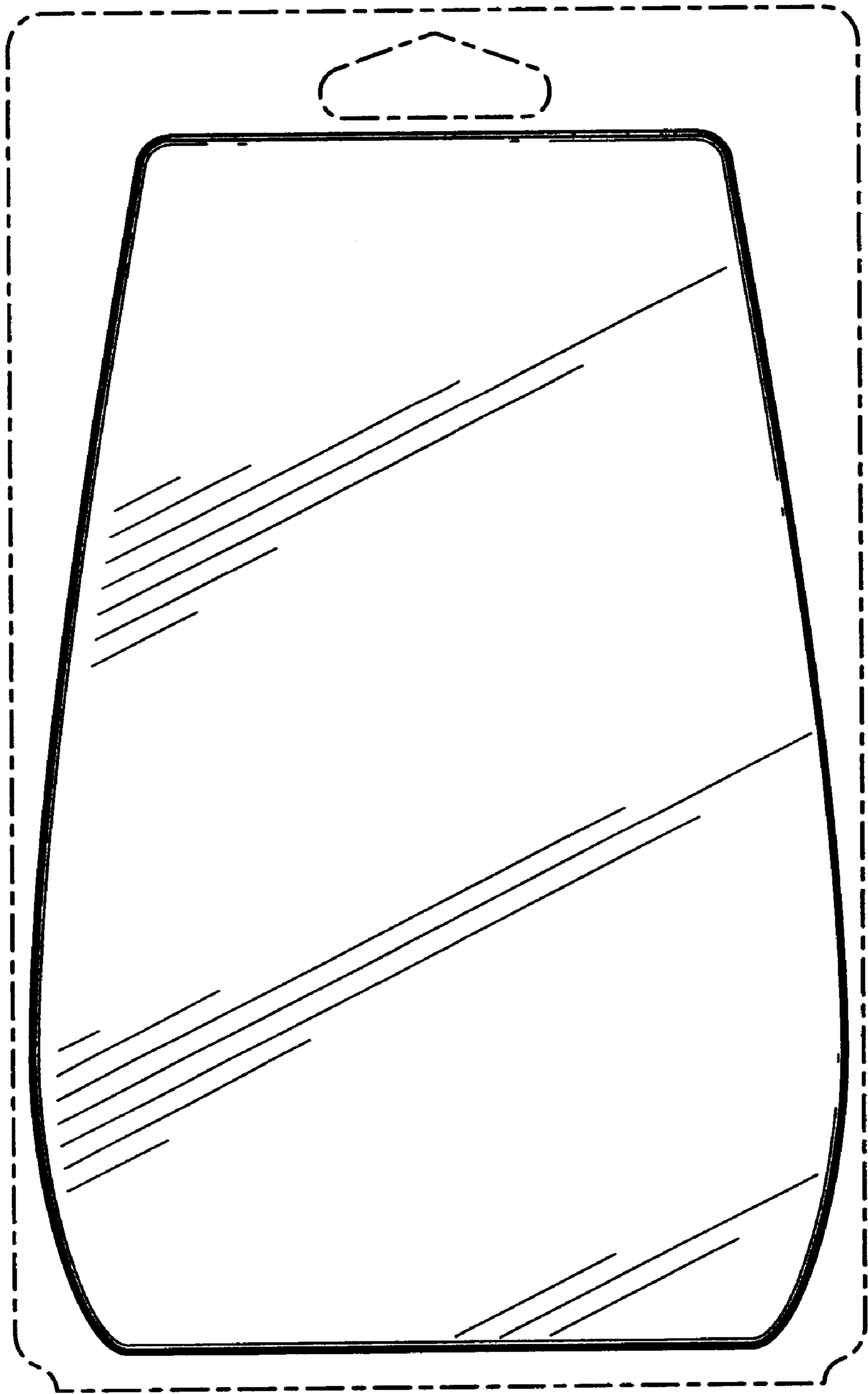


FIG. 3

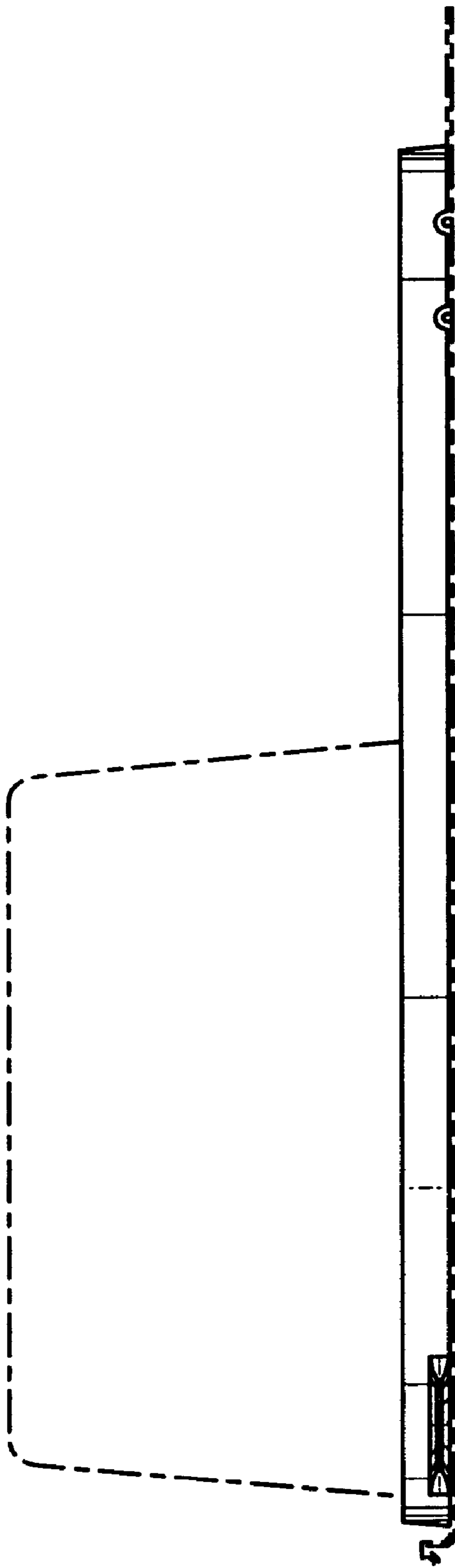


FIG. 4

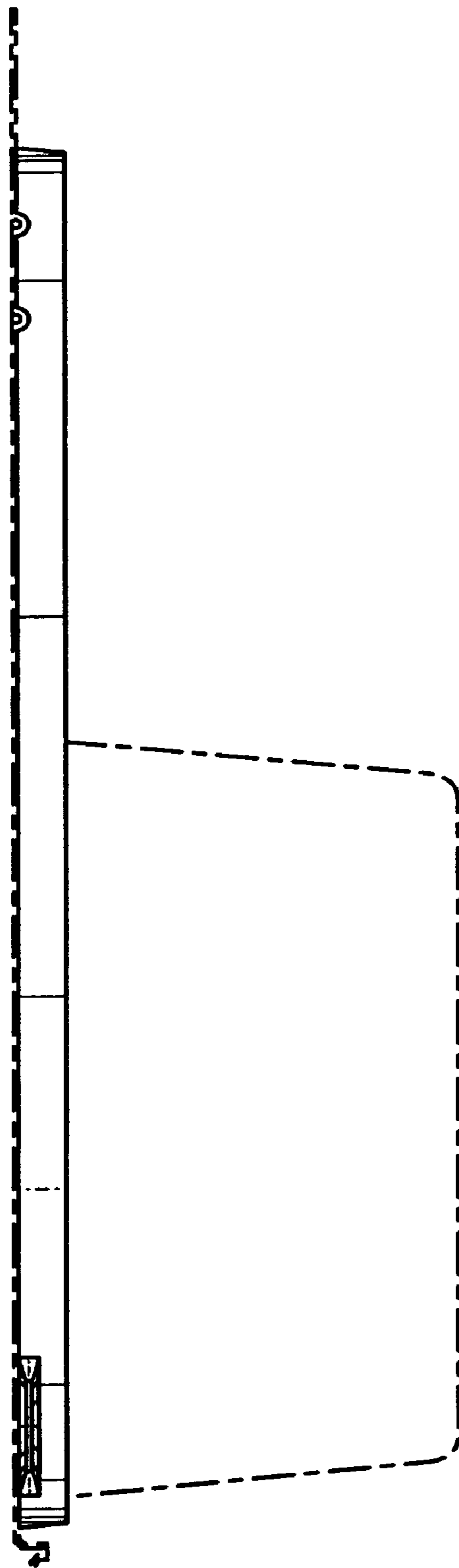


FIG. 5

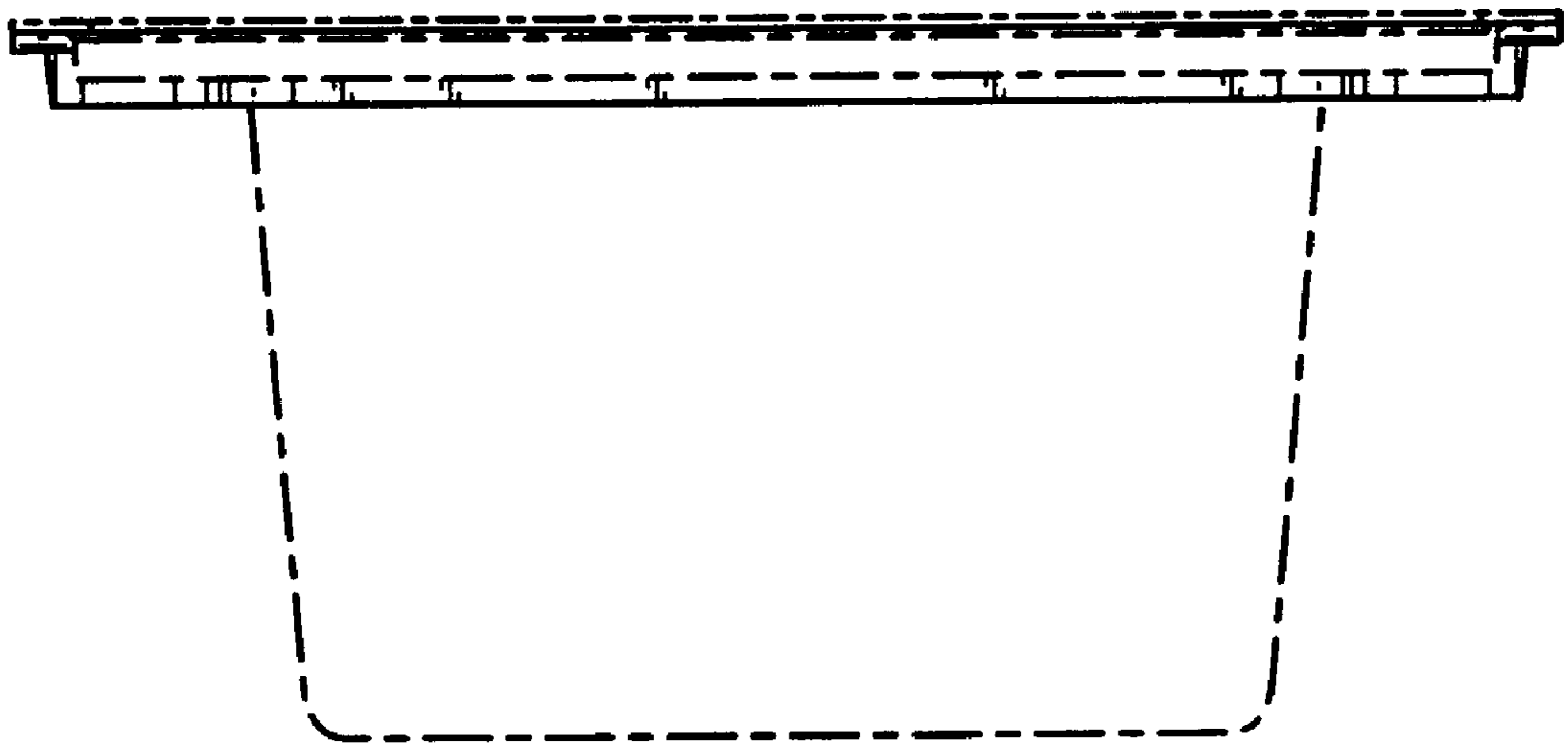


FIG. 6

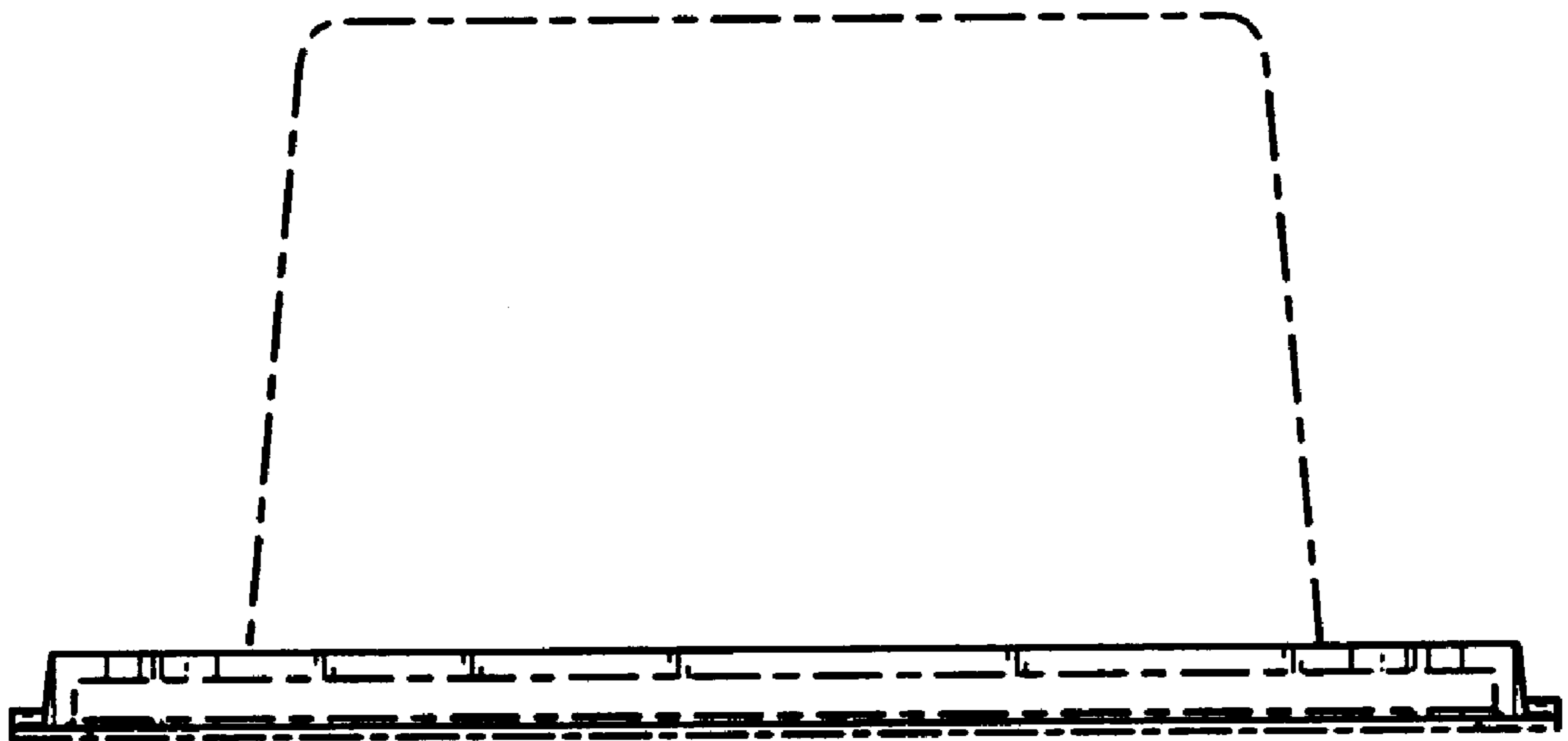


FIG. 7

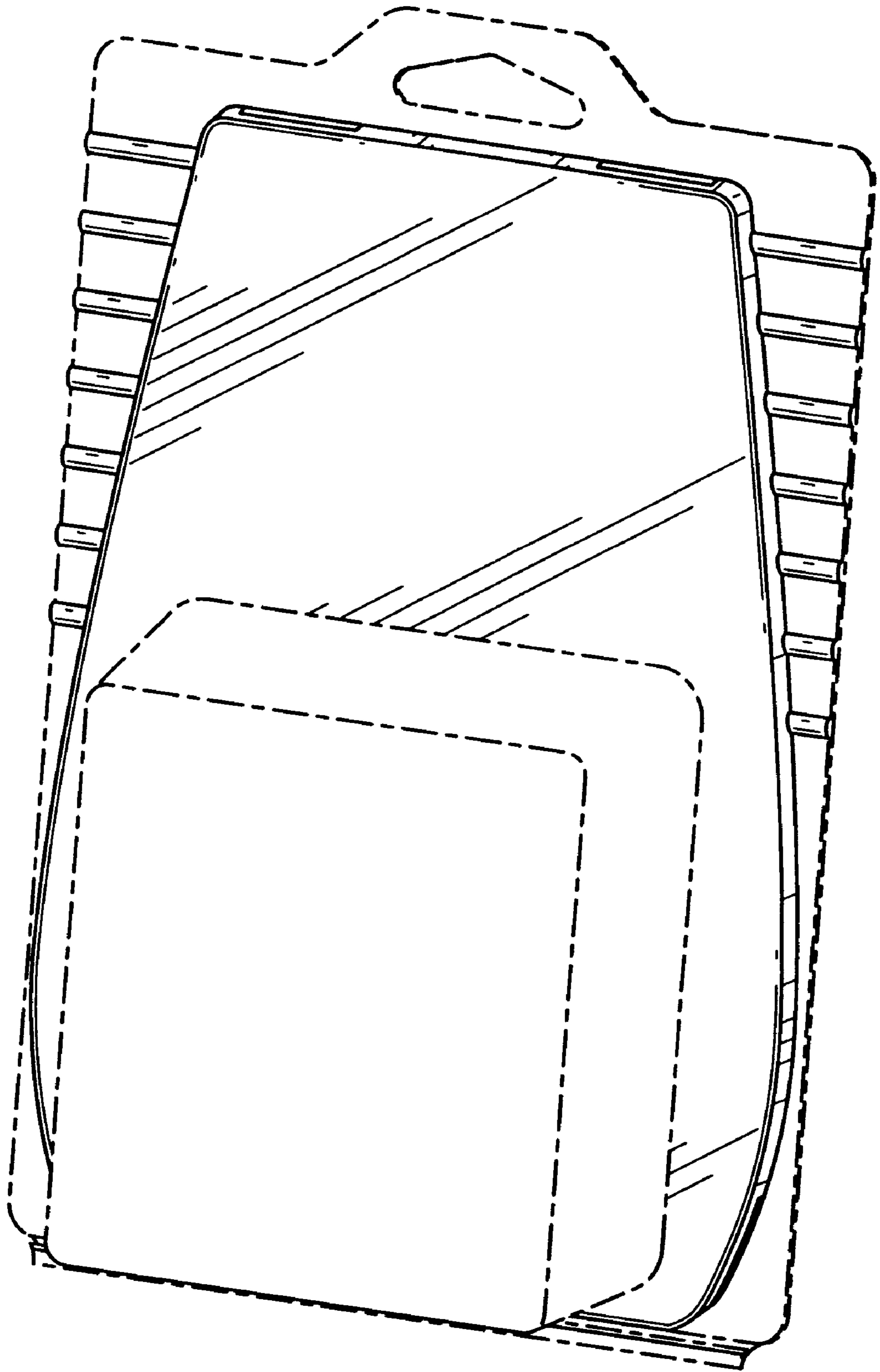


FIG. 8

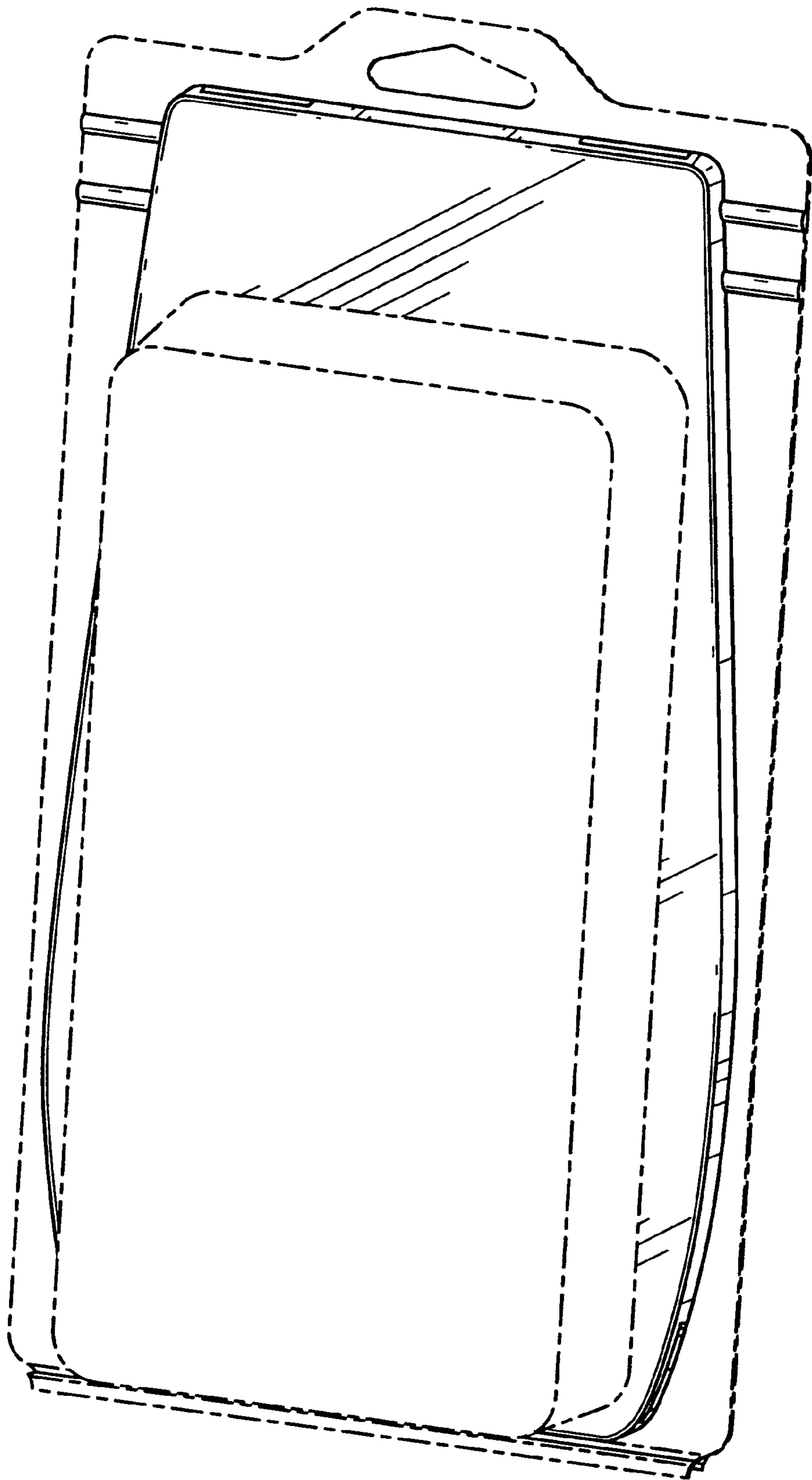


FIG. 9

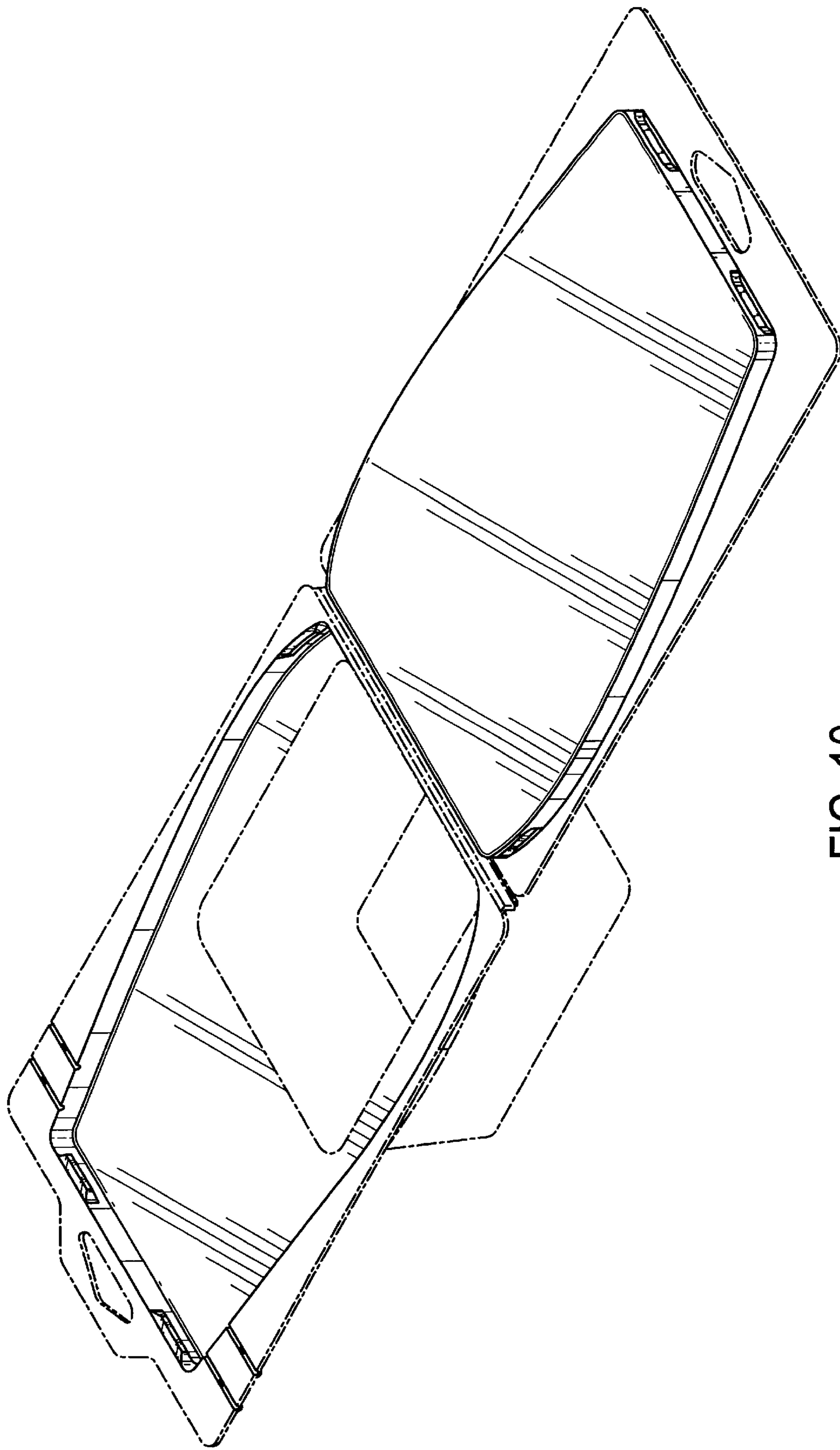


FIG. 10

UNITED STATES PATENT AND TRADEMARK OFFICE
CERTIFICATE OF CORRECTION

PATENT NO. : Des. 469,348 S
DATED : January 28, 2003
INVENTOR(S) : James Michael Demus et al.

Page 1 of 1

It is certified that error appears in the above-identified patent and that said Letters Patent is hereby corrected as shown below:

Title page,

Item [73], Assignee, change "CFLCO Partnership" to -- **CELLCO Partnership** --.

Signed and Sealed this

Nineteenth Day of August, 2003

A handwritten signature in black ink, appearing to read "James E. Rogan", with a horizontal line drawn underneath it.

JAMES E. ROGAN
Director of the United States Patent and Trademark Office