



US00D469342S

(12) **United States Design Patent**  
**Metzentine**

(10) **Patent No.:** **US D469,342 S**

(45) **Date of Patent:** **\*\* Jan. 28, 2003**

(54) **TORCH HOLDING DEVICE**

D430,789 S 9/2000 Opperman  
D435,435 S 12/2000 Shea

(76) Inventor: **Henry A Metzentine**, 10680 SW.  
Mintken, Culver, OR (US) 97734

\* cited by examiner

(\*\*) Term: **14 Years**

*Primary Examiner*—Pamela Burgess

(21) Appl. No.: **29/151,897**

(57) **CLAIM**

(22) Filed: **Nov. 9, 2001**

The ornamental design for a torch holding device, as shown and described.

(51) **LOC (7) Cl.** ..... **08-05**

**DESCRIPTION**

(52) **U.S. Cl.** ..... **D8/373**

(58) **Field of Search** ..... D8/381, 373, 363,  
D8/380, 71, 354; 248/230.2, 254, 262,  
314, 231.71, 309.1, 156, 316.5, 316.8, 218.4,  
224.7, 221.11, 214, 534, 536; 40/603, 610;  
211/70.6, 89.01; 206/214

FIG. 1 is a front elevational view of the torch holding device of the present invention;

FIG. 2 is a rear elevational view of the torch holding device of FIG. 1;

FIG. 3 is a left side elevational view of the torch holding device of FIG. 1, the right view being a mirror image thereof;

FIG. 4 is a top plan view of the torch holding device of FIG. 1;

FIG. 5 is a bottom plan view of the torch holding device of FIG. 1; and,

FIG. 6 is a top, front, right side perspective view of the torch holding device of FIG. 1.

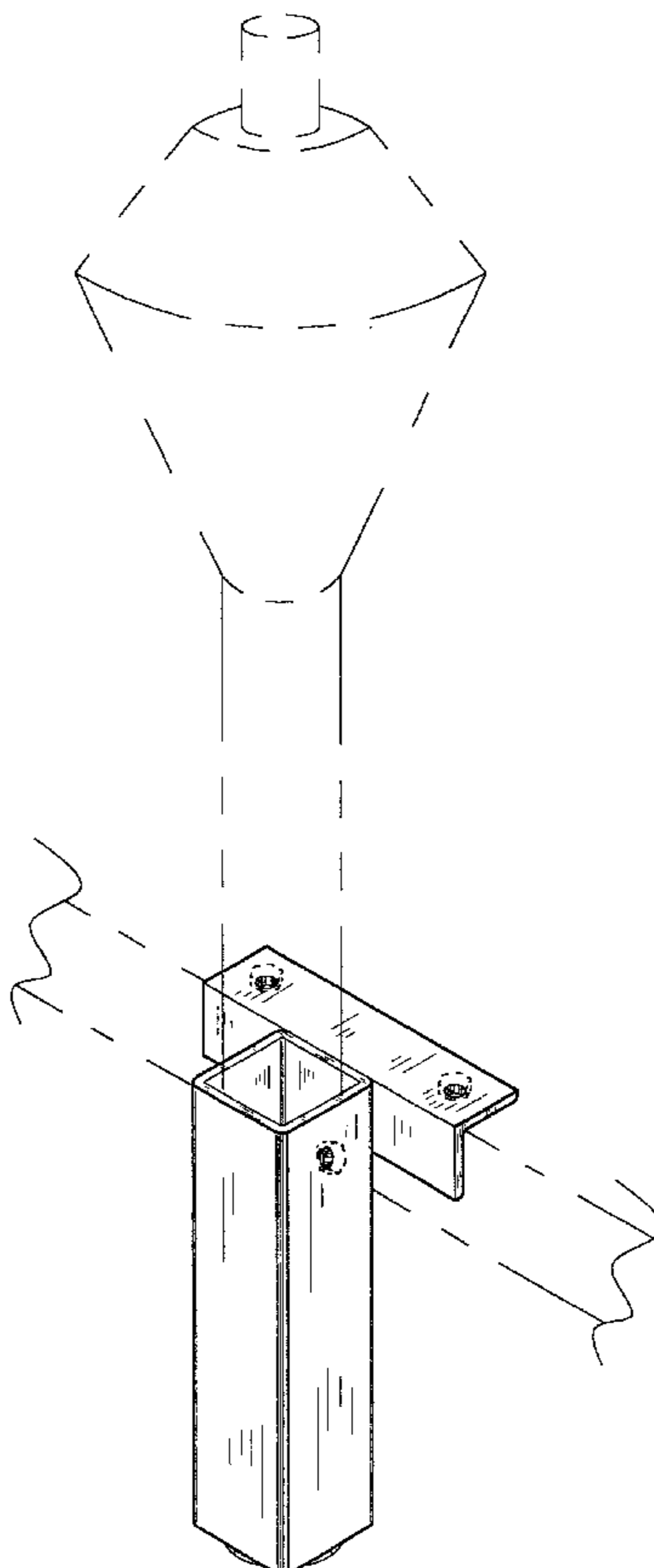
The broken lines showing of a torch, railing and bolts in FIG. 6 are for illustrative purposes only and form no part of the claimed design.

(56) **References Cited**

**U.S. PATENT DOCUMENTS**

4,815,688	A	*	3/1989	Wood	.....	248/118
D305,219	S	*	12/1989	Wood	.....	D12/133
D306,690	S	*	3/1990	Bison	.....	D8/373
5,120,016	A		6/1992	Dysarz		
D355,582	S	*	2/1995	Sleight	.....	D8/354
D374,393	S	*	10/1996	Beasley	.....	D8/373
5,618,078	A		4/1997	Aberle		
6,003,826	A		12/1999	Galloway		
D422,885	S	*	4/2000	Marino et al.	.....	D8/354
6,092,342	A		7/2000	Sharapata		

**1 Claim, 3 Drawing Sheets**



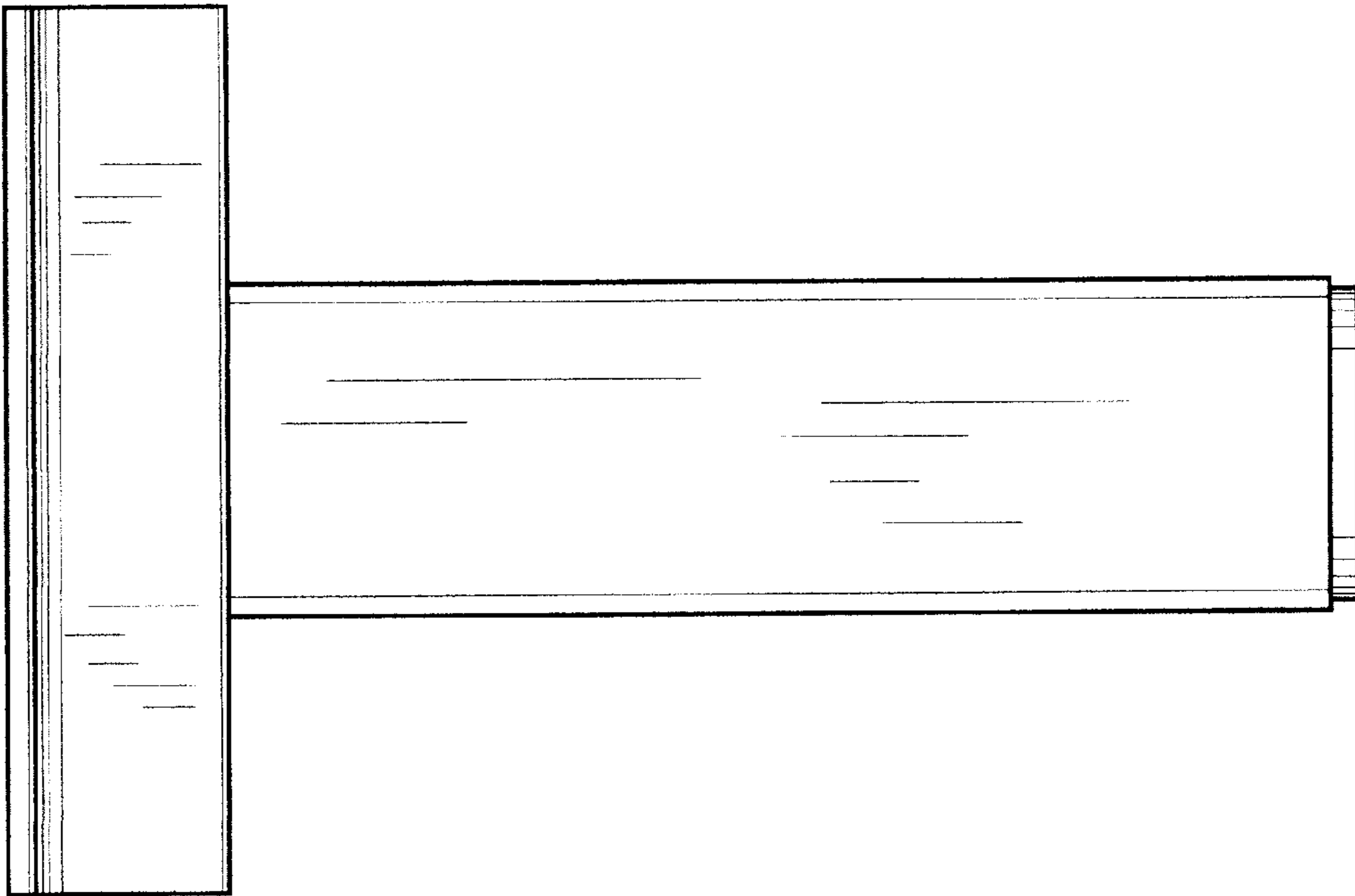


FIG. 2

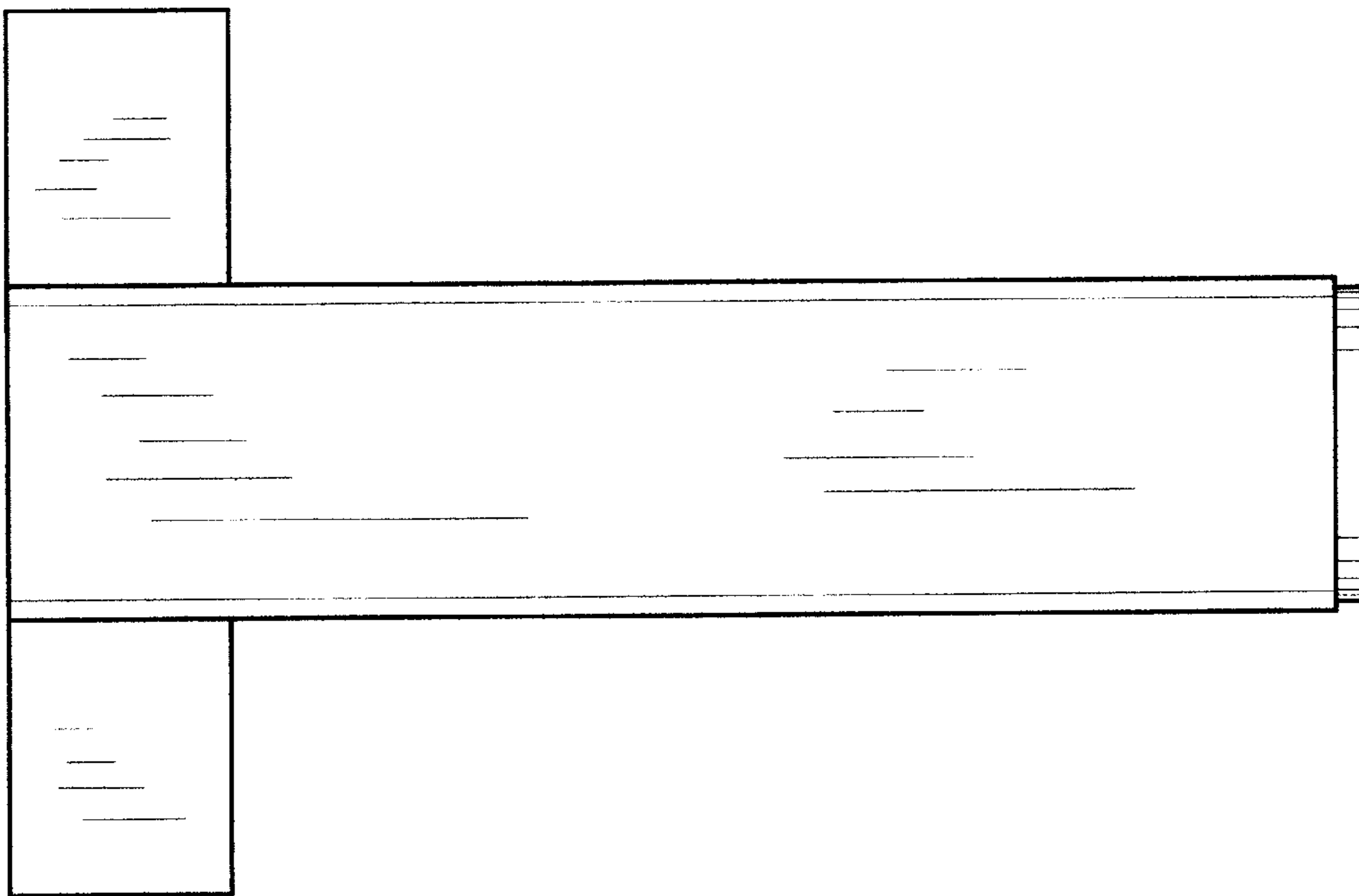


FIG. 1

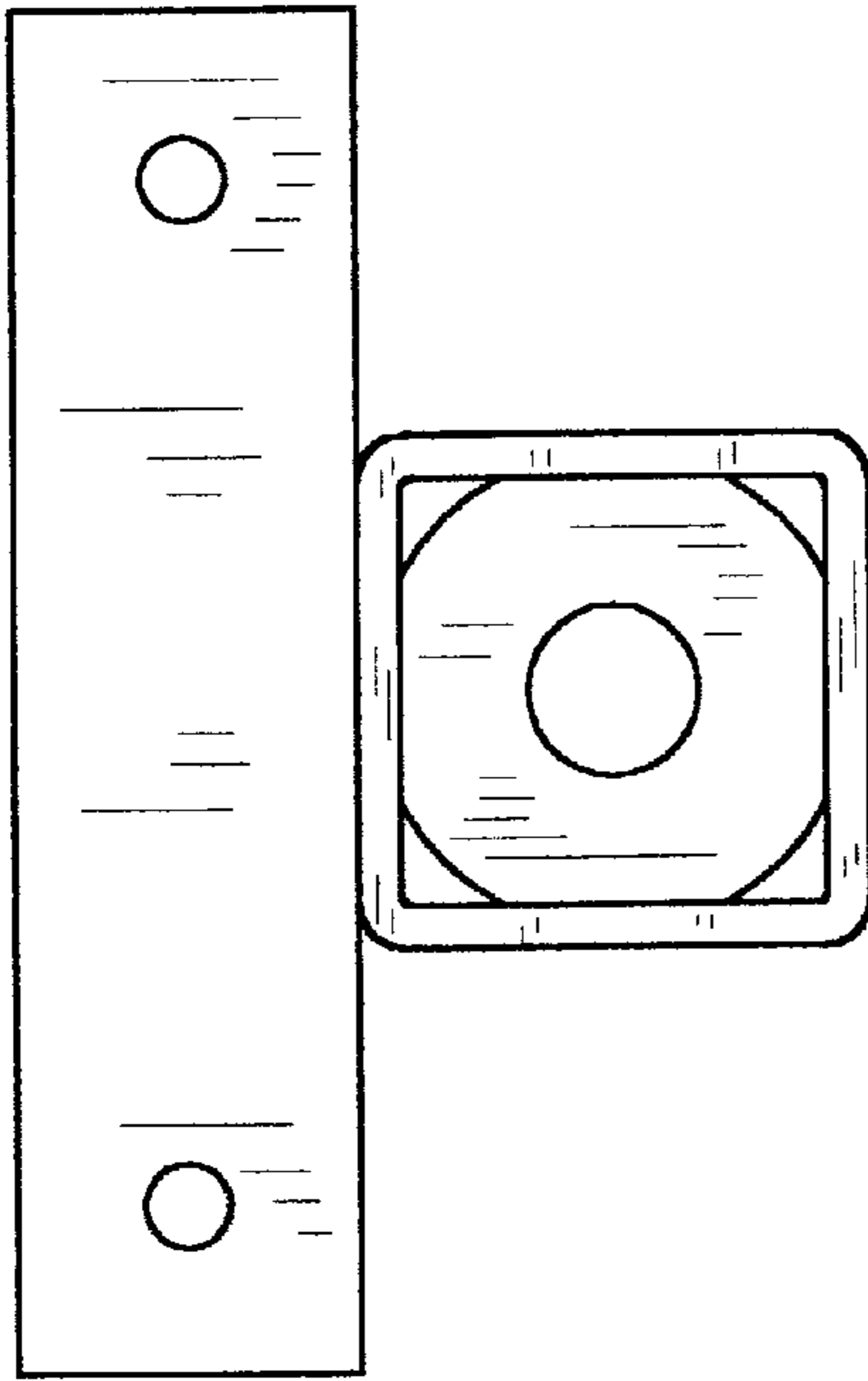


FIG. 4

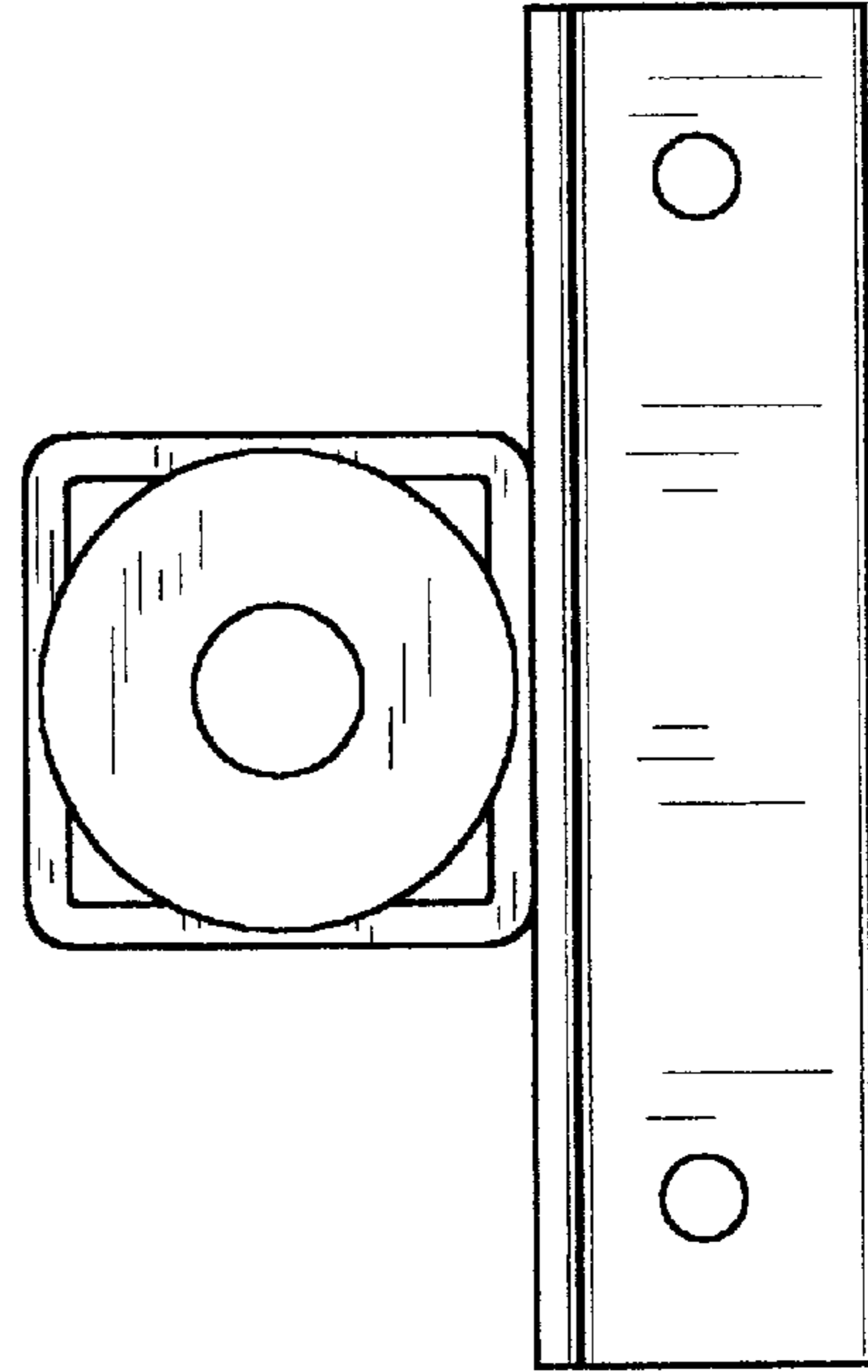


FIG. 5

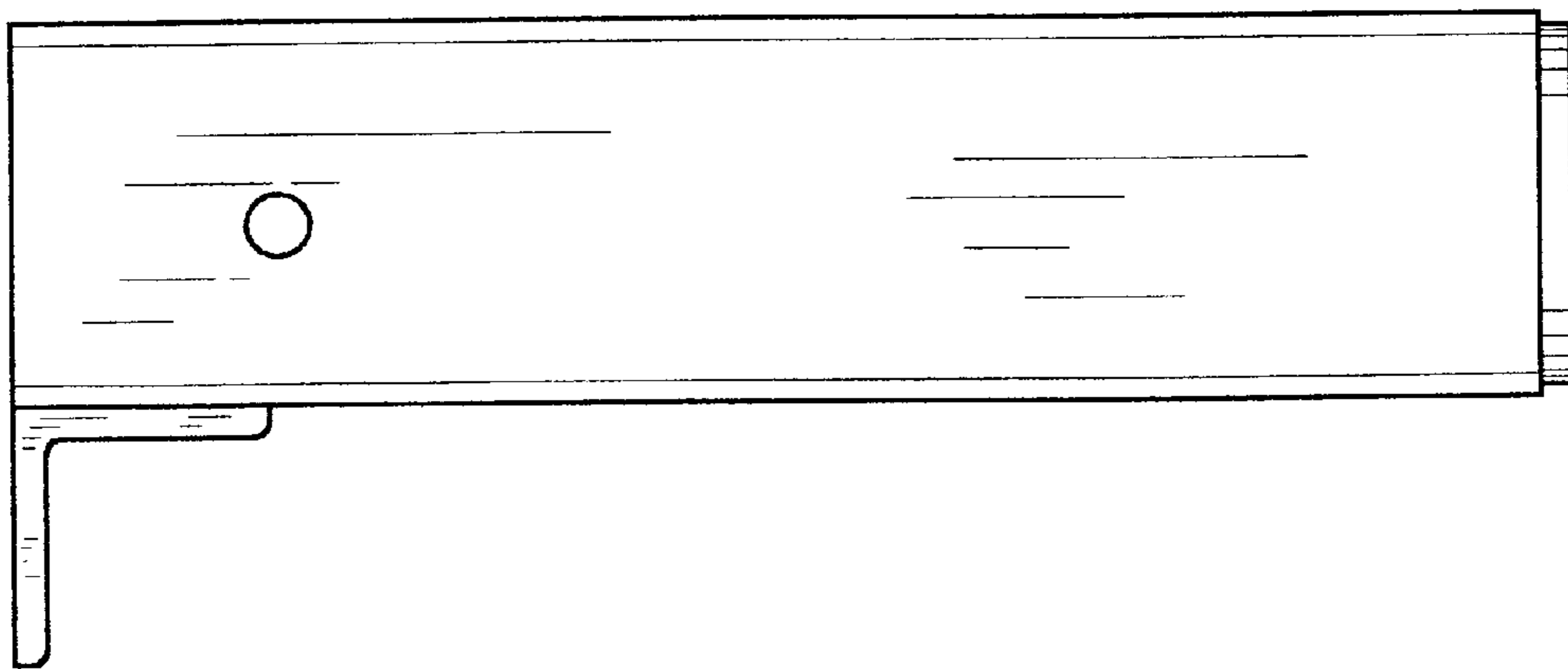


FIG. 3

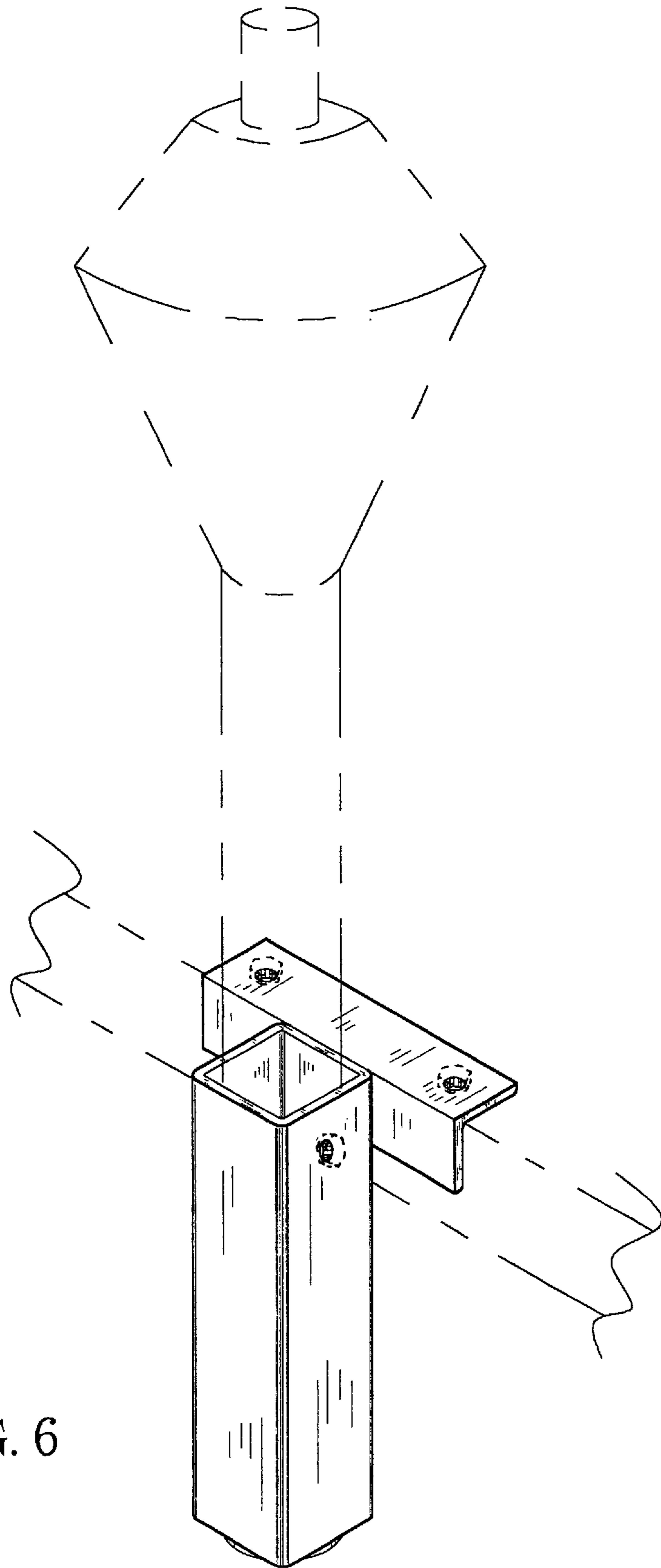


FIG. 6