



US00D469338S

(12) **United States Design Patent**
Chace

(10) **Patent No.:** **US D469,338 S**

(45) **Date of Patent:** **** Jan. 28, 2003**

(54) **INTERLOCKING ATTIC ACCESS BLOCK MEMBER**

4,928,441 A 5/1990 Daley 52/19
5,274,966 A 1/1994 Daley 52/23
5,475,955 A 12/1995 Dickinson 52/202

(76) Inventor: **David A. Chace**, 15015 - 130th Ave.
SE., Renton, WA (US) 98058

* cited by examiner

(**) Term: **14 Years**

Primary Examiner—Brian N. Vinson
(74) *Attorney, Agent, or Firm*—Dean A. Craine

(21) Appl. No.: **29/151,842**

(57) **CLAIM**

(22) Filed: **Nov. 13, 2001**

The ornamental design for an interlocking attic access block member, as shown and described.

(51) **LOC (7) Cl.** **08-08**

(52) **U.S. Cl.** **D8/349**

(58) **Field of Search** D8/400, 349, 354;
D25/61, 62, 113; 52/202, 22; 182/46

DESCRIPTION

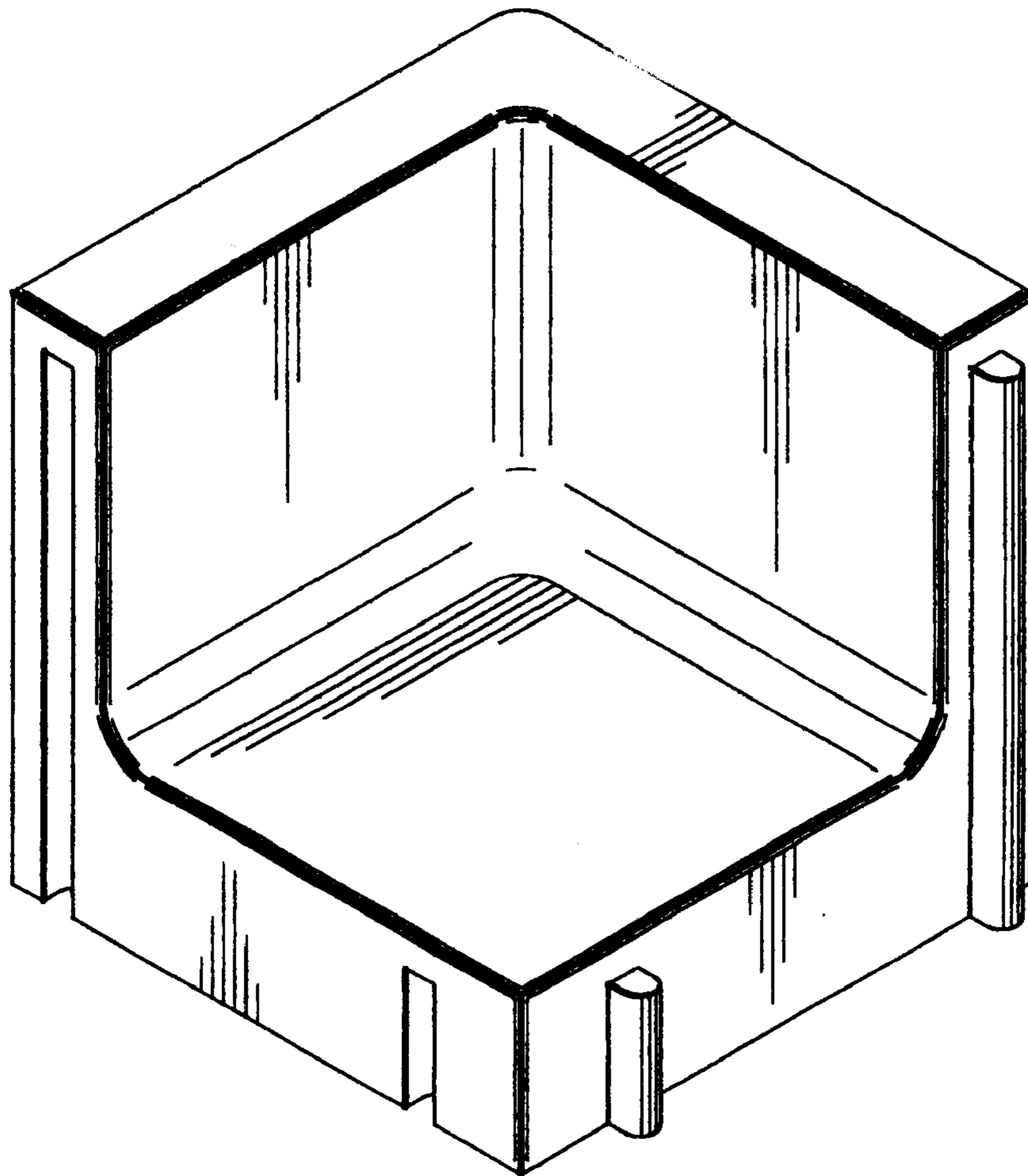
(56) **References Cited**

U.S. PATENT DOCUMENTS

4,281,743 A	*	8/1981	Fuller	182/46
4,344,505 A		8/1982	Waters et al.	182/47
4,550,534 A		11/1985	Mariano et al.	52/19
4,658,555 A		4/1987	Steiner	52/202
4,832,153 A		5/1989	Daw et al.	182/46

FIG. 1 is a perspective view of the interlocking attic access block member.
FIG. 2 is a top plan view of the invention.
FIG. 3 is a bottom plan view of the invention.
FIG. 4 is a left side elevation view of the invention.
FIG. 5 is a right side elevation view of the invention.
FIG. 6 is a front elevation view of the invention; and,
FIG. 7 is a rear elevation view of the invention.

1 Claim, 2 Drawing Sheets



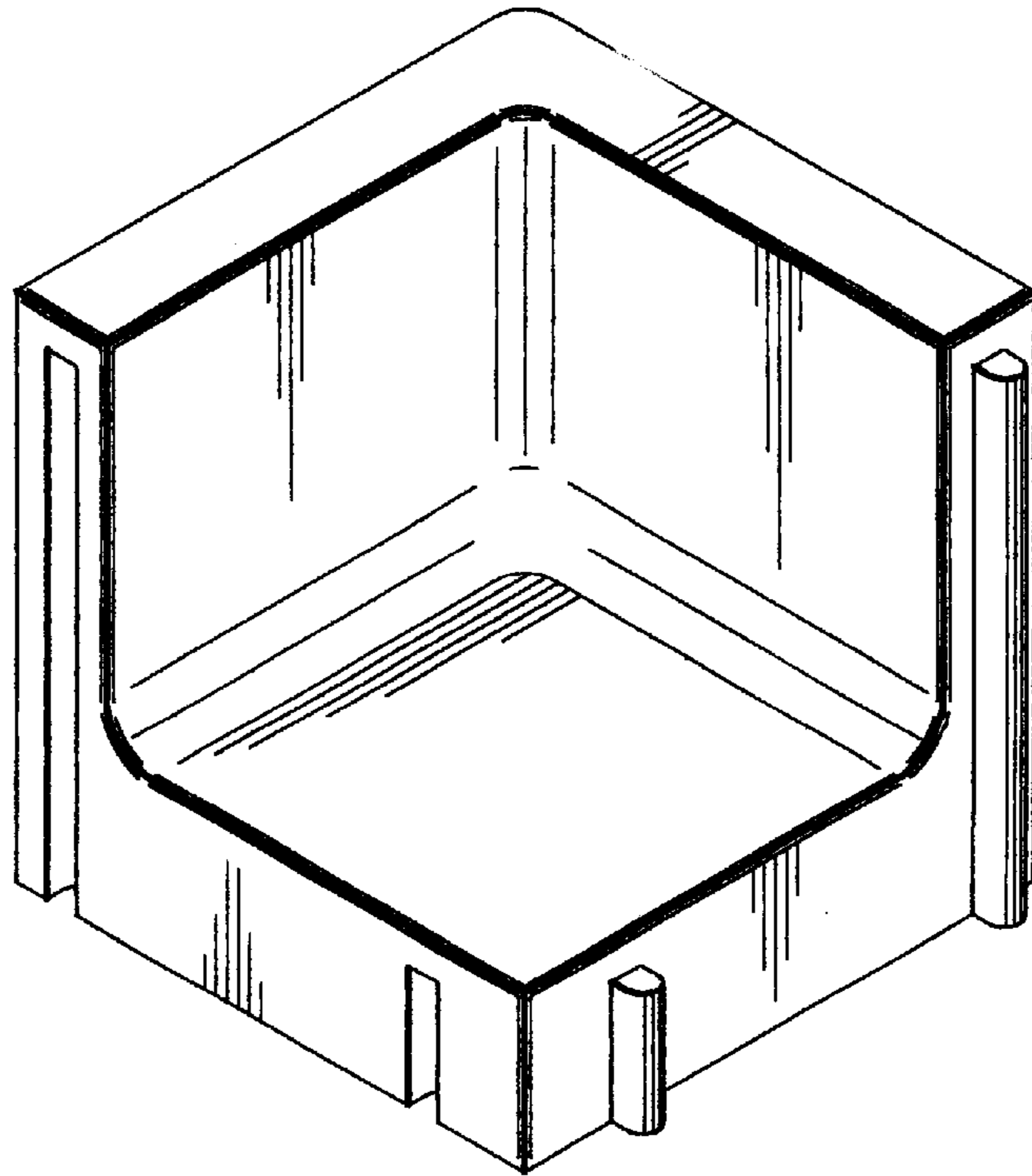


FIG. 1

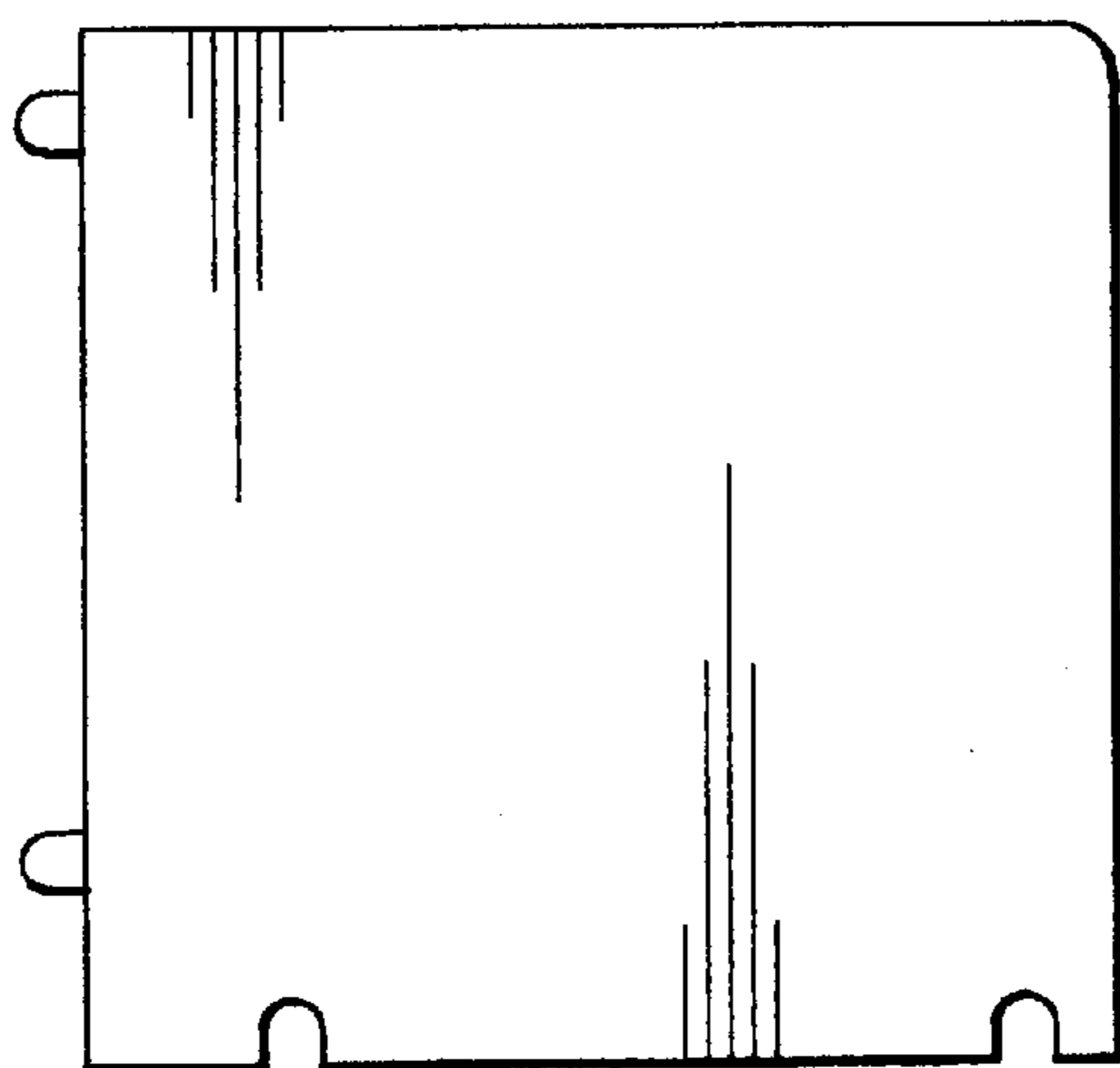


FIG. 3

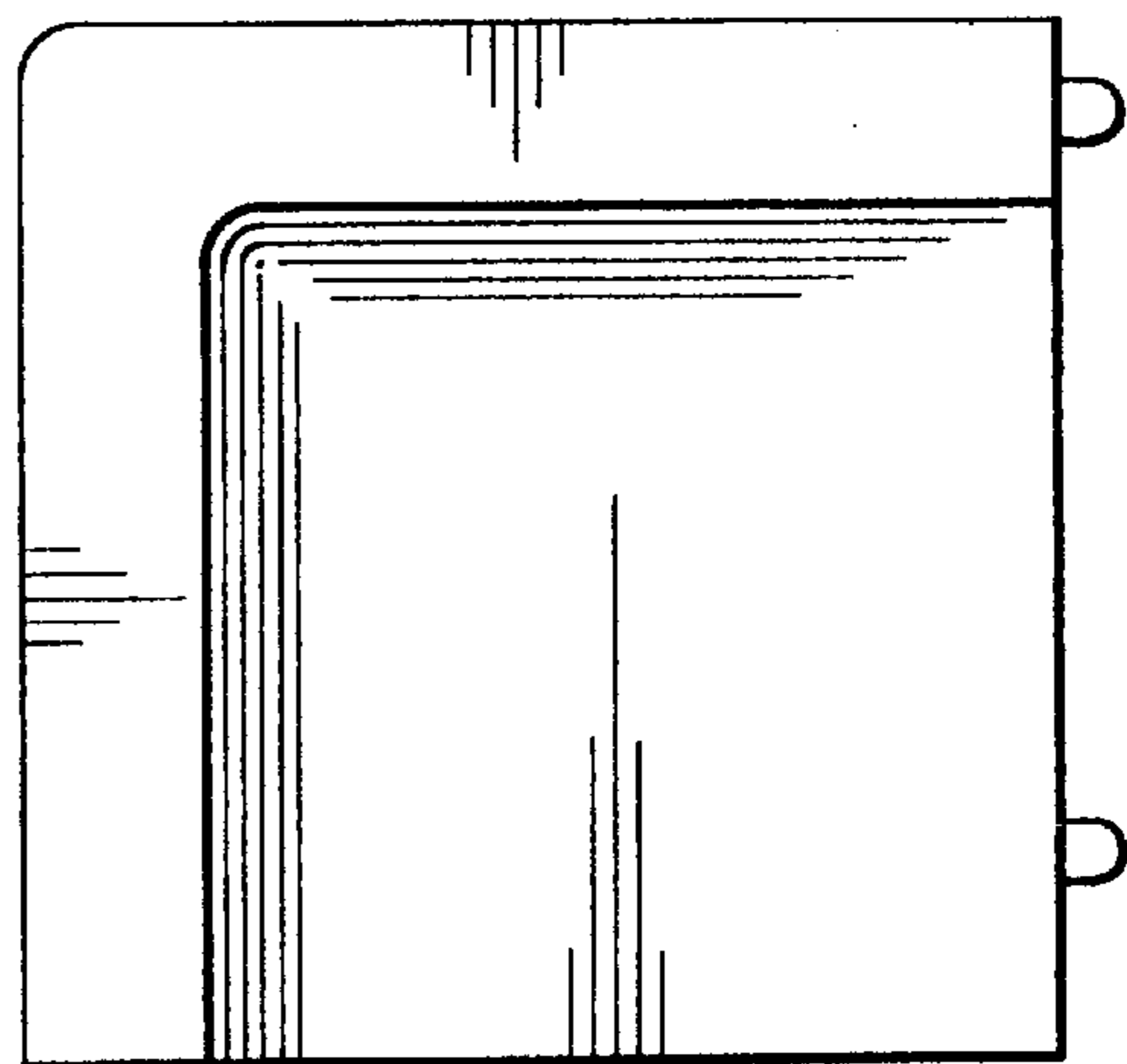


FIG. 2

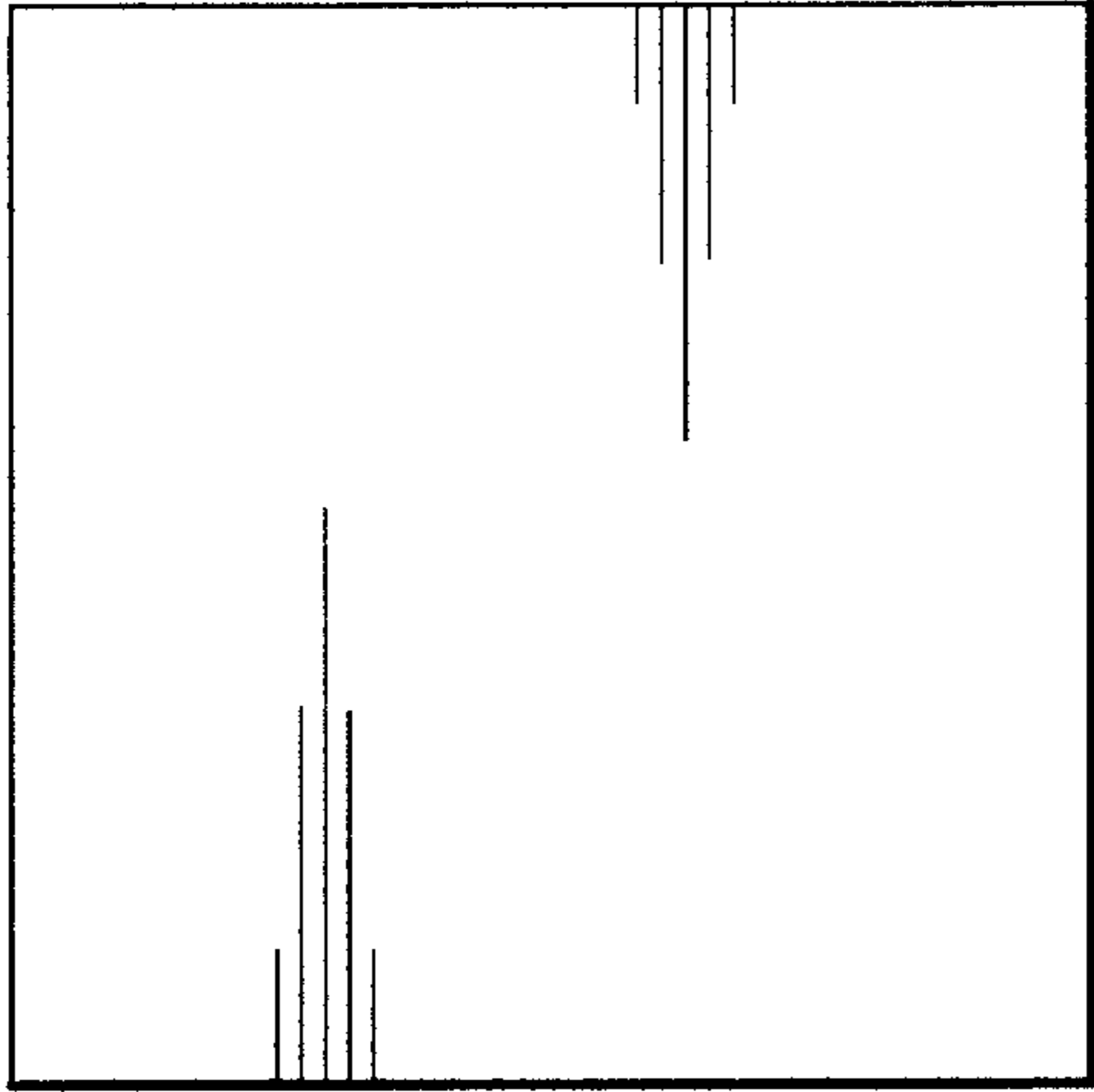


FIG. 4

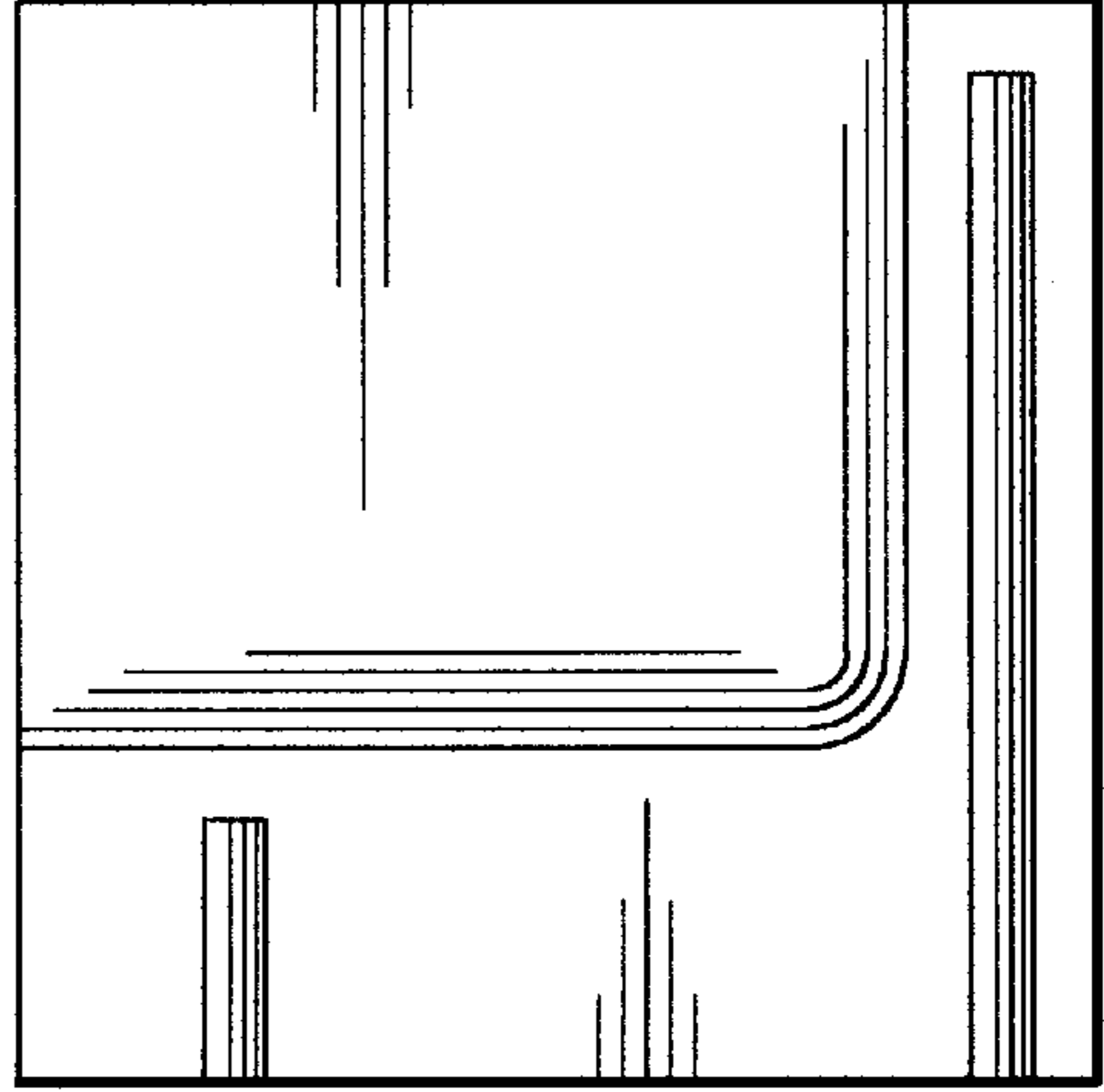


FIG. 5

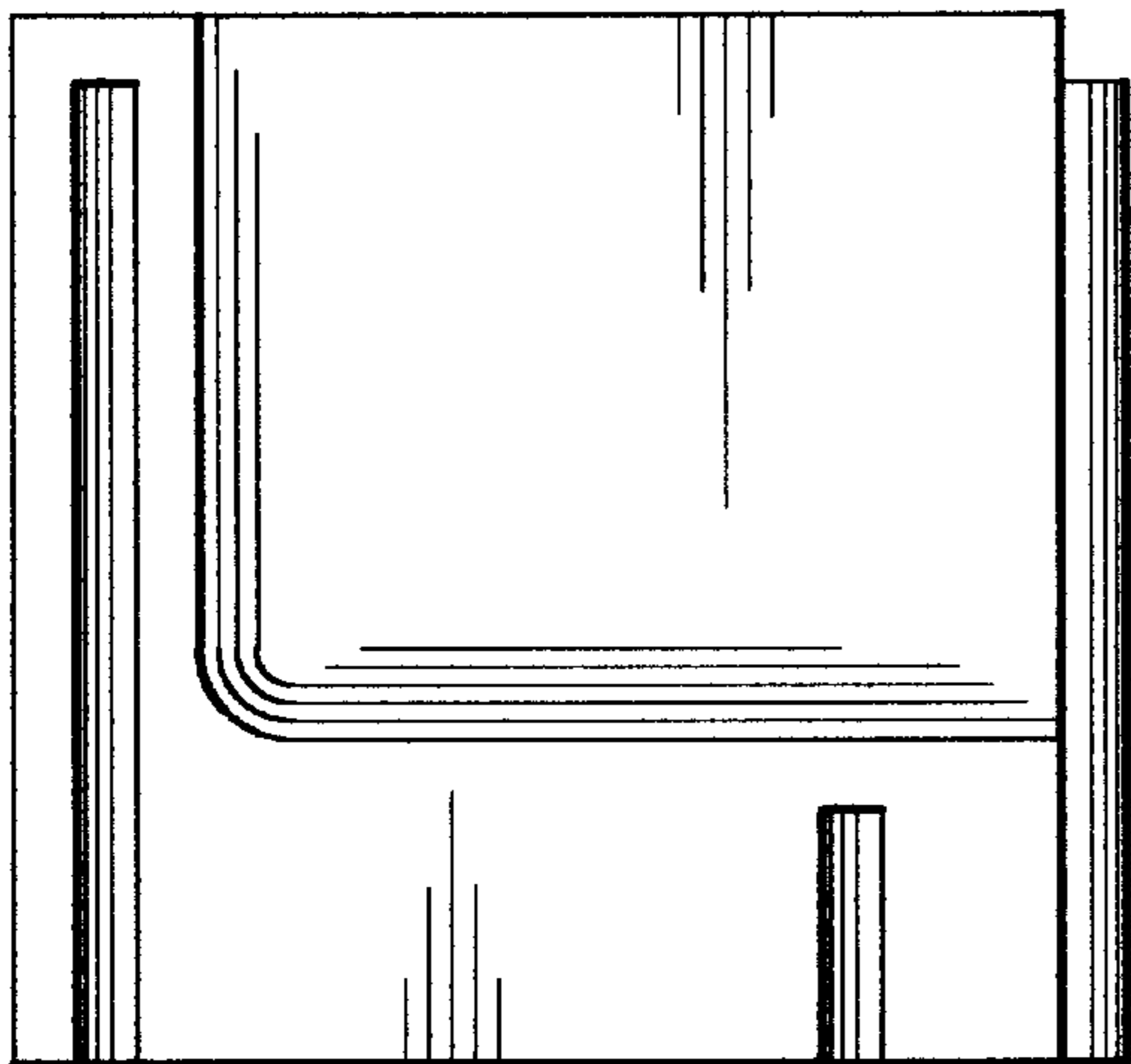


FIG. 6

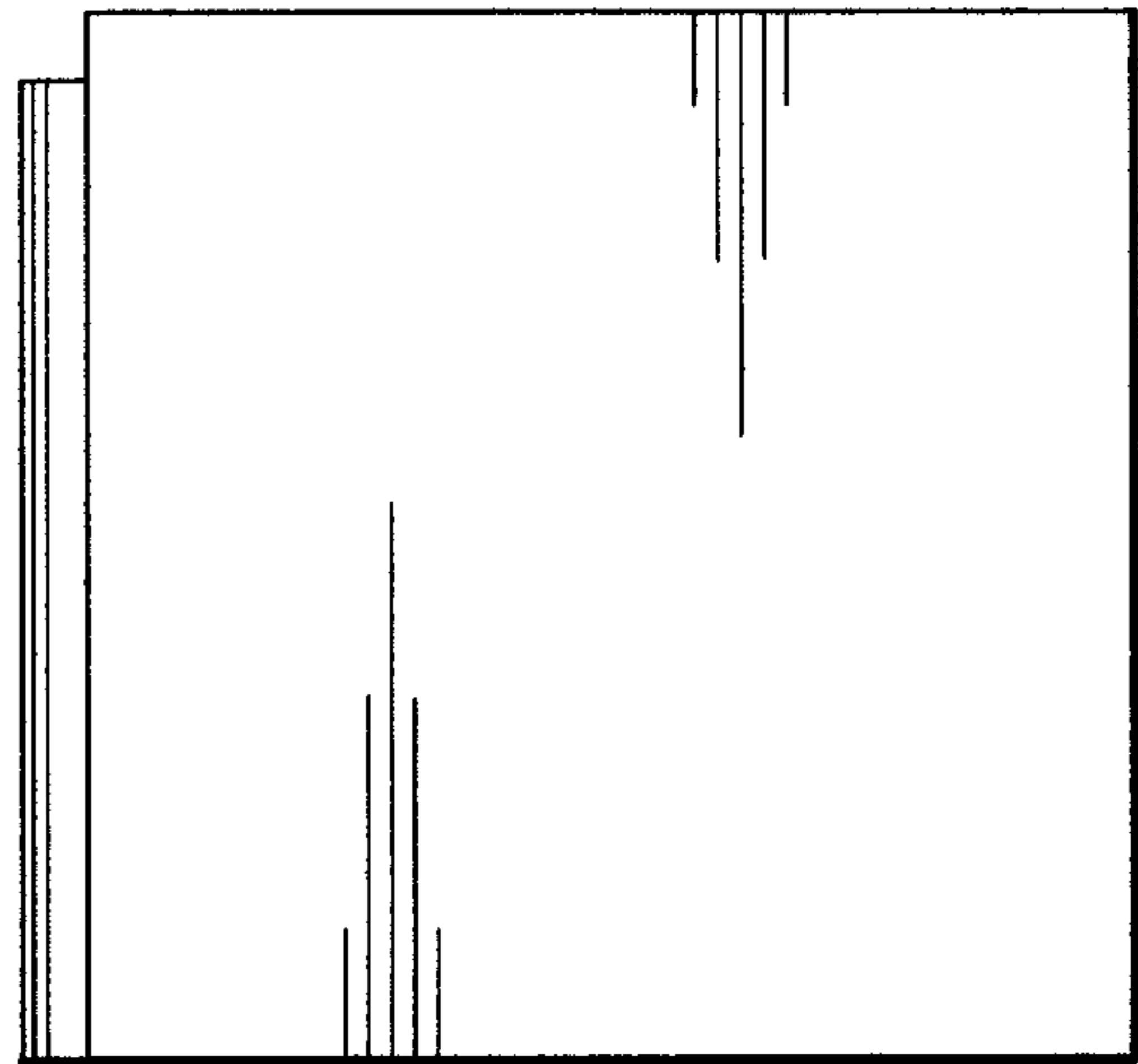


FIG. 7