



US00D469336S

(12) **United States Design Patent**
Votruba et al.

(10) **Patent No.:** **US D469,336 S**

(45) **Date of Patent:** **** Jan. 28, 2003**

(54) **KEEPER**

(75) Inventors: **Edward J. Votruba**, Chandler, AZ
(US); **Patrick W. Breslin**, Peoria, AZ
(US); **Michael H. Dilgard**, Tempe, AZ
(US); **David L. Simpson**, Higley, AZ
(US); **Thomas F. Bone**, Mesa, AZ (US)

(73) Assignee: **U-Haul International, Inc.**, Phoenix,
AZ (US)

(**) Term: **14 Years**

(21) Appl. No.: **29/145,887**

(22) Filed: **Jul. 31, 2001**

Related U.S. Application Data

(63) Continuation-in-part of application No. 09/901,375, filed on Jul. 9, 2001, which is a continuation-in-part of application No. 09/884,706, filed on Jun. 19, 2001.

(51) **LOC (7) Cl.** **08-08**

(52) **U.S. Cl.** **D8/343**

(58) **Field of Search** D8/330, 331, 343,
D8/344; 292/340, 341, 341.15, 341.17,
DIG. 12, DIG. 20, DIG. 30

(56) **References Cited**

U.S. PATENT DOCUMENTS

1,112,738 A	10/1914	Voigt	292/104
2,339,537 A	1/1944	Wise	292/110
2,595,450 A	5/1952	Coffing	294/83
2,727,774 A	12/1955	Marple et al.	292/216
2,728,971 A	1/1956	Harter	292/17
2,931,205 A	4/1960	Schmitz	292/229
3,425,727 A	2/1969	Swanson	292/129

D228,170 S	*	8/1973	Morris	D8/344
3,893,722 A		7/1975	Galbreath et al.	292/100
4,014,572 A		3/1977	Binns	292/108
D247,546 S	*	3/1978	Shaw et al.	D8/344
4,709,950 A		12/1987	Zortman	292/92
D311,856 S	*	11/1990	Tousaw	D8/331
5,174,617 A		12/1992	Huber et al.	292/108
5,269,586 A		12/1993	Hahn et al.	292/224
5,273,325 A		12/1993	Zimmerman	292/216
5,522,626 A		6/1996	Dominique	292/198
5,632,515 A		5/1997	Dowling	292/216
5,713,691 A		2/1998	Solberg	403/322
5,820,170 A		10/1998	Clancy	292/26
D402,602 S	*	12/1998	Niswanger	D8/331 X

* cited by examiner

Primary Examiner—Brian N. Vinson

(74) *Attorney, Agent, or Firm*—Jeffer, Mangels, Butler & Marmaro LLP

(57) **CLAIM**

The ornamental design for a keeper, as shown and described.

DESCRIPTION

FIG. 1 is a perspective view of a keeper showing our new design.

FIG. 2 is a top plan view of the keeper of FIG. 1.

FIG. 3 is a right side elevational view of the keeper of FIG. 1, the left side elevational view being a mirror reflection of the right side elevational view.

FIG. 4 is a front elevational view of the keeper of FIG. 1.

FIG. 5 is a rear elevational view of the keeper of FIG. 1.

FIG. 6 is a bottom plan view of the keeper of FIG. 1; and, FIG. 7 is a perspective view of the keeper in accordance with a second embodiment of the present invention.

1 Claim, 2 Drawing Sheets

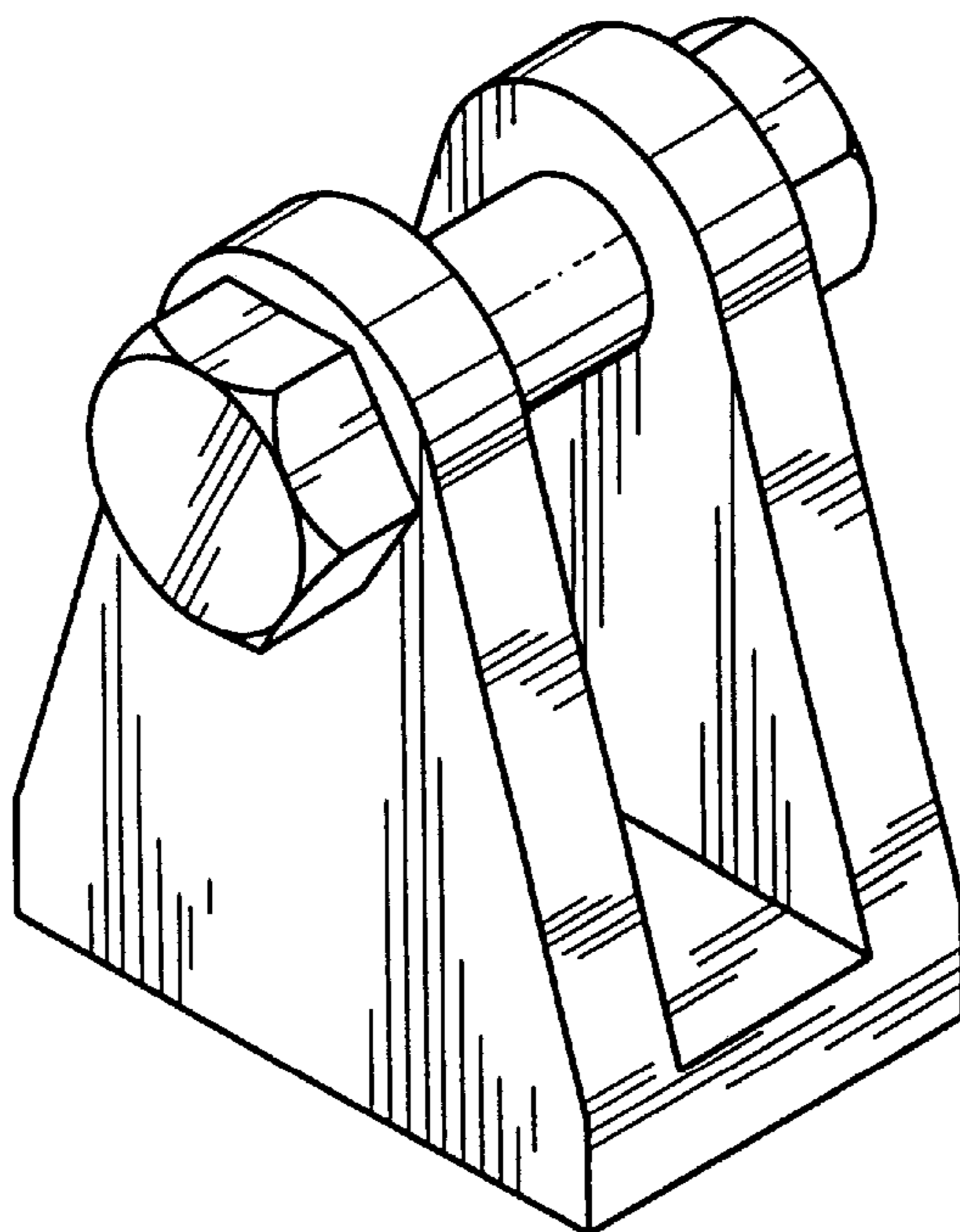


FIG. 1

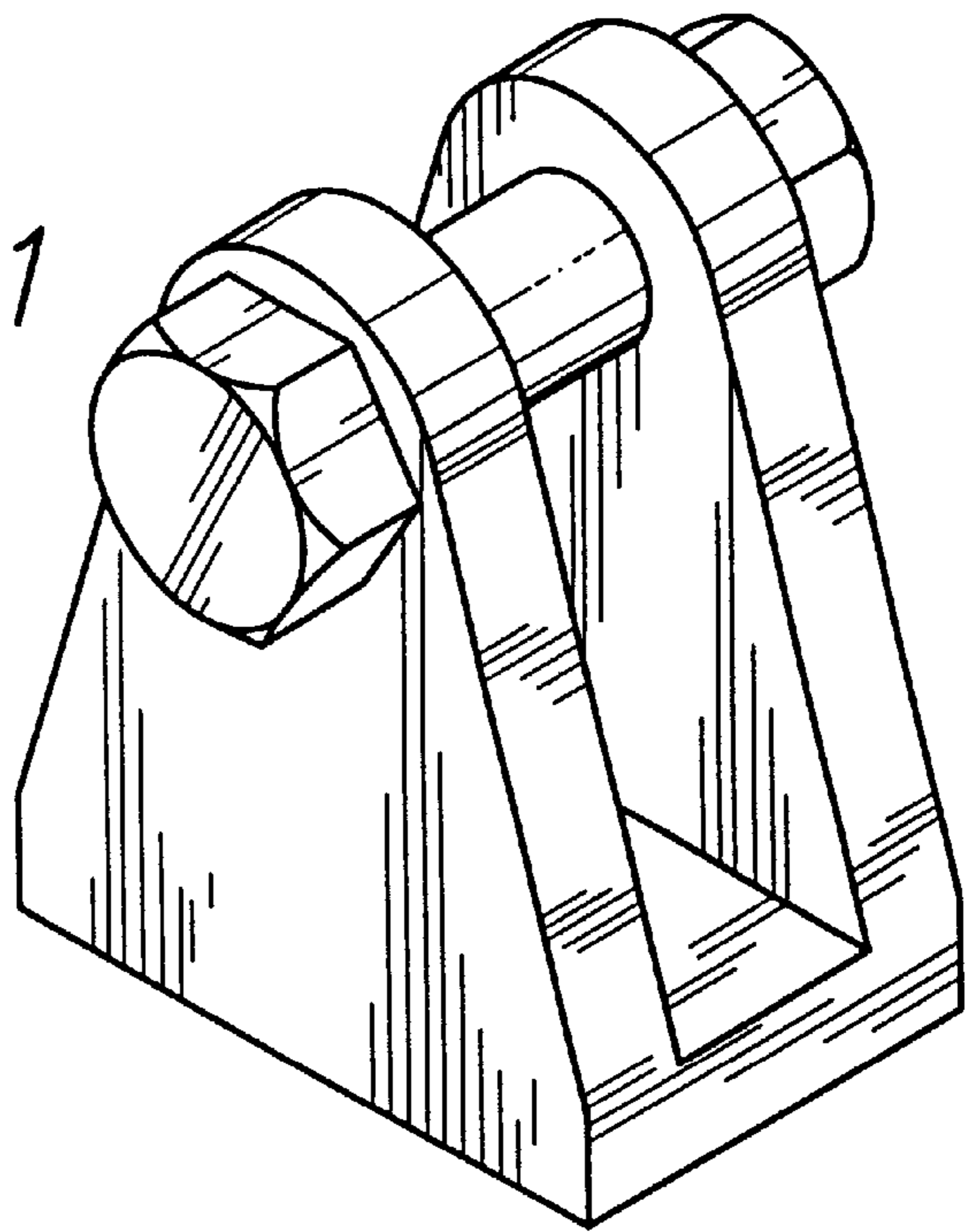


FIG. 7

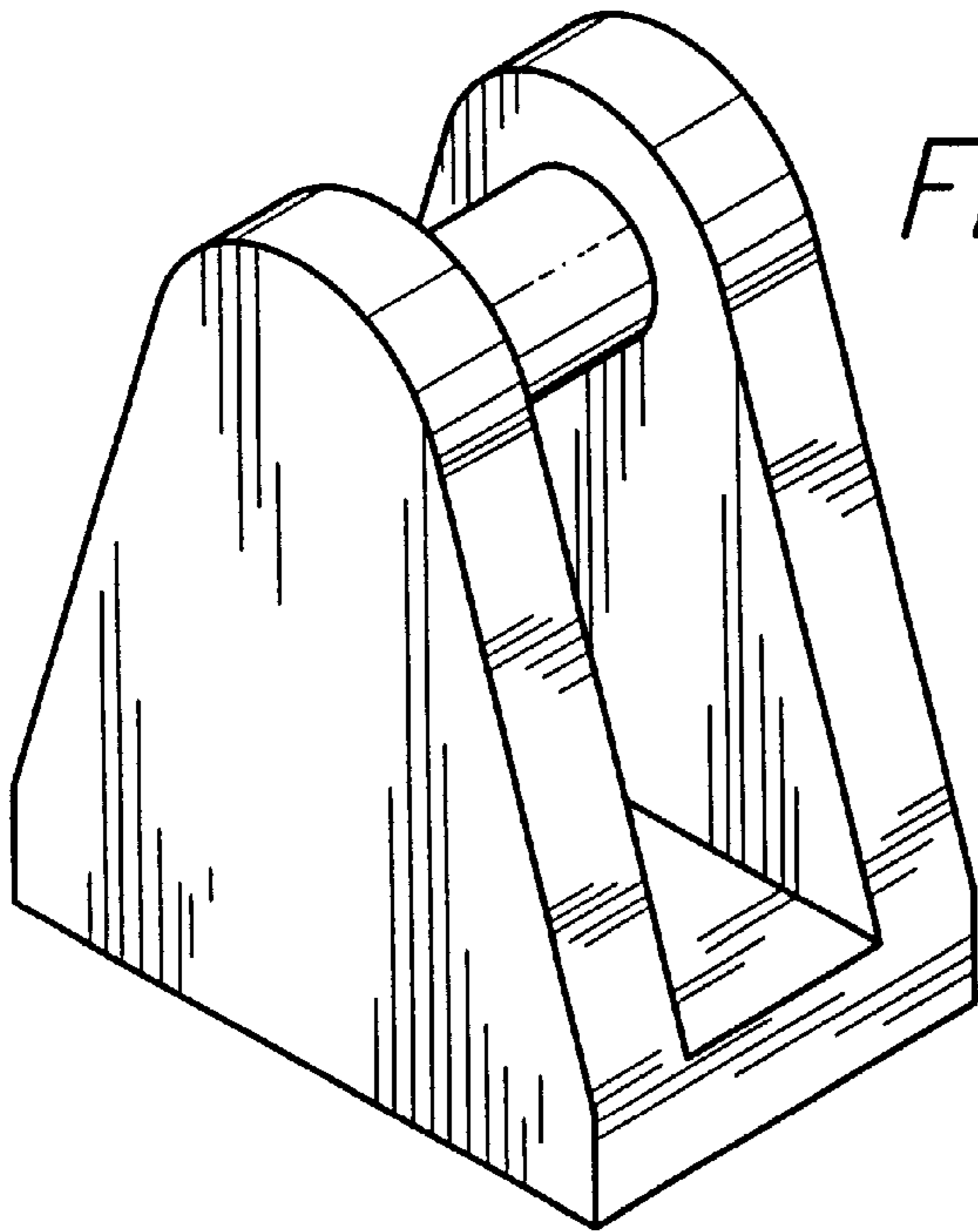


FIG. 2

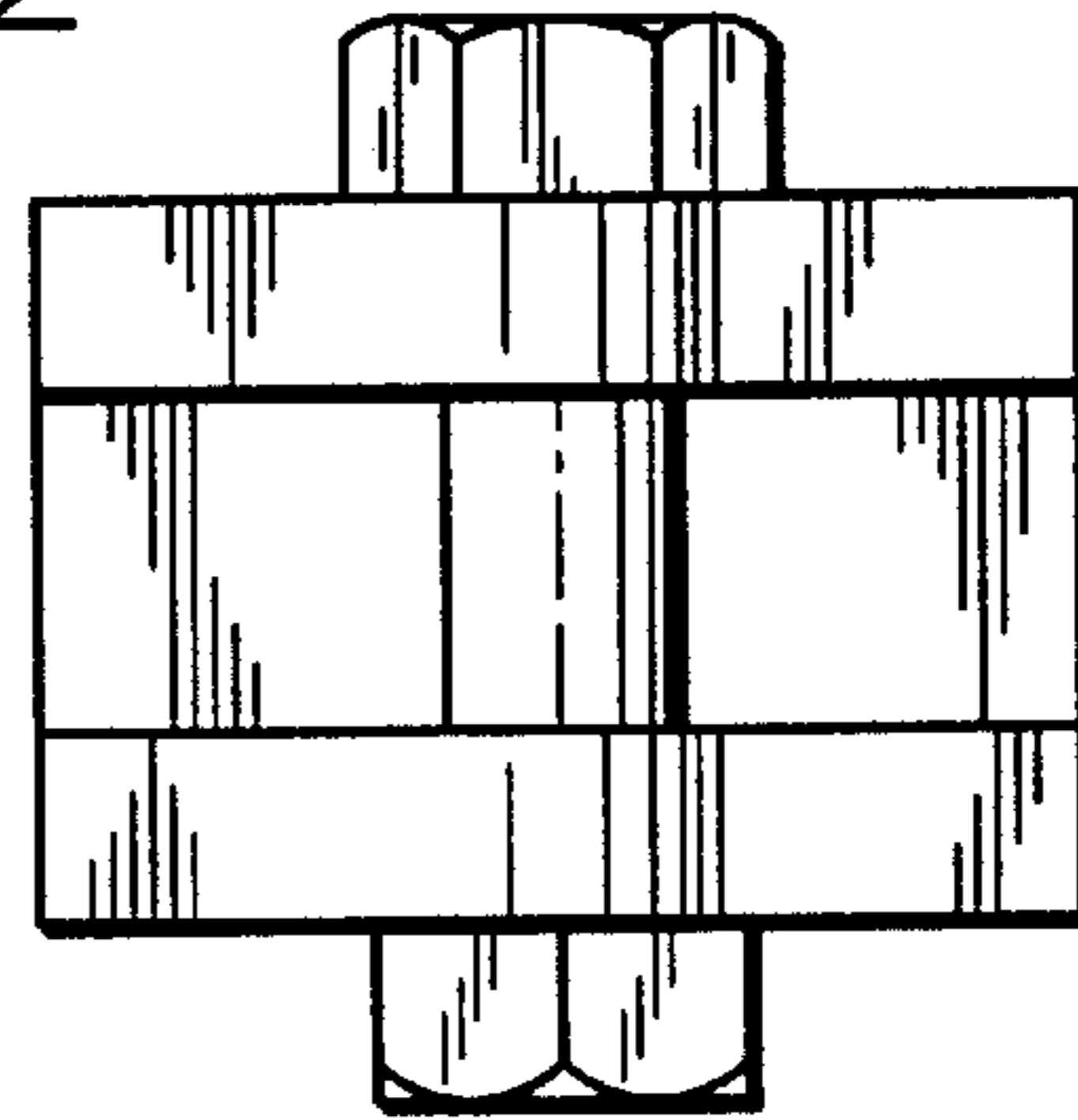


FIG. 3

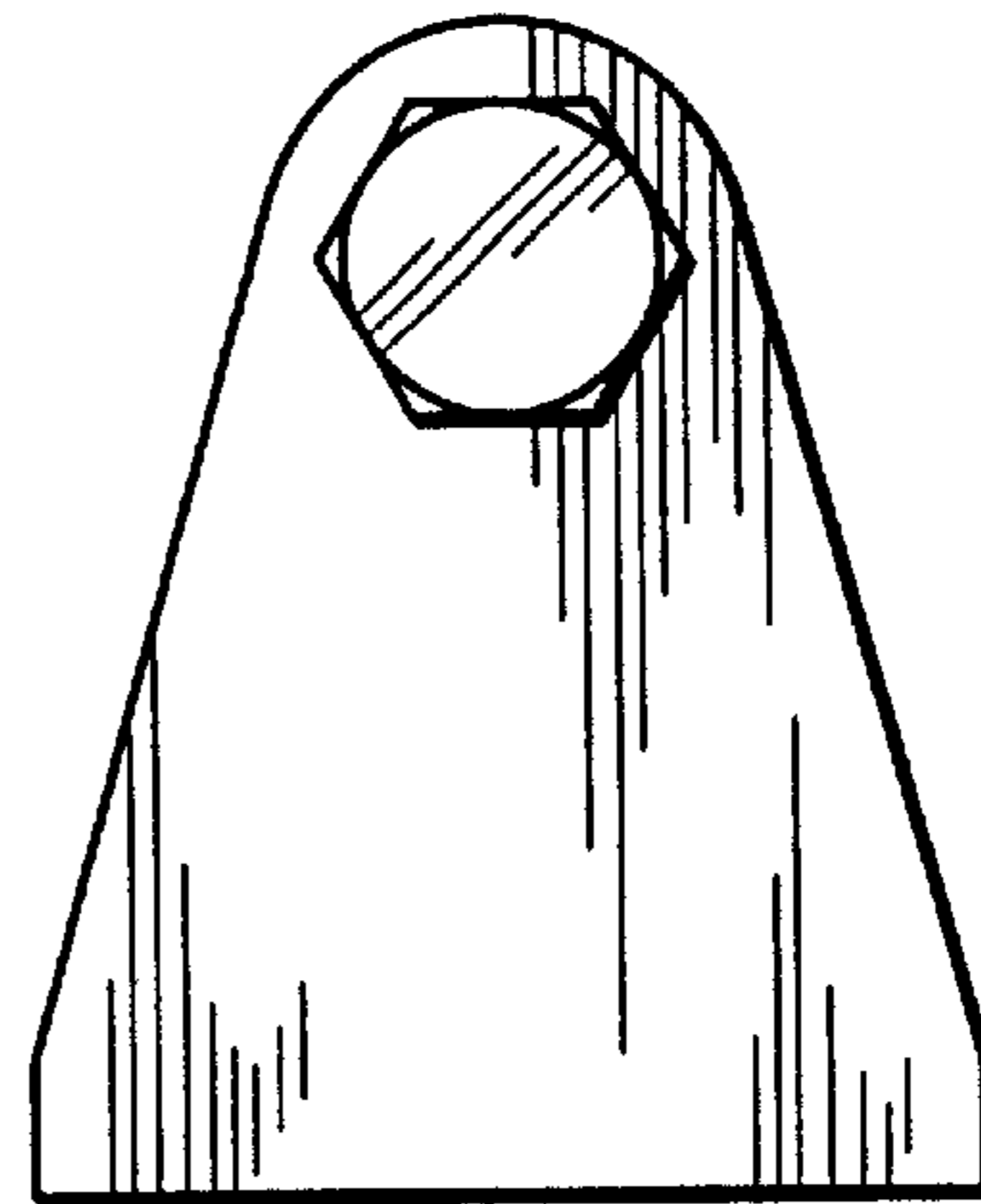
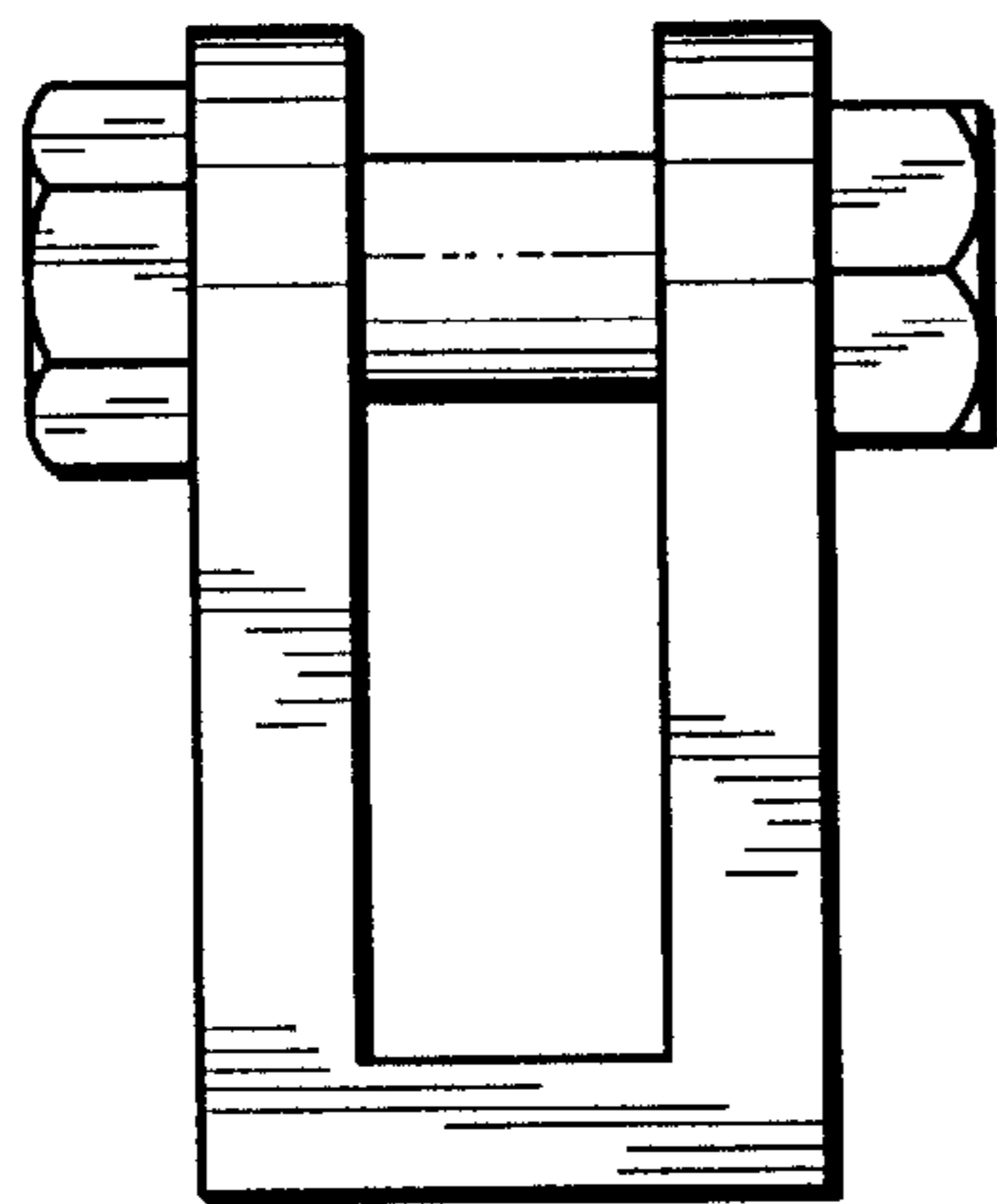


FIG. 4

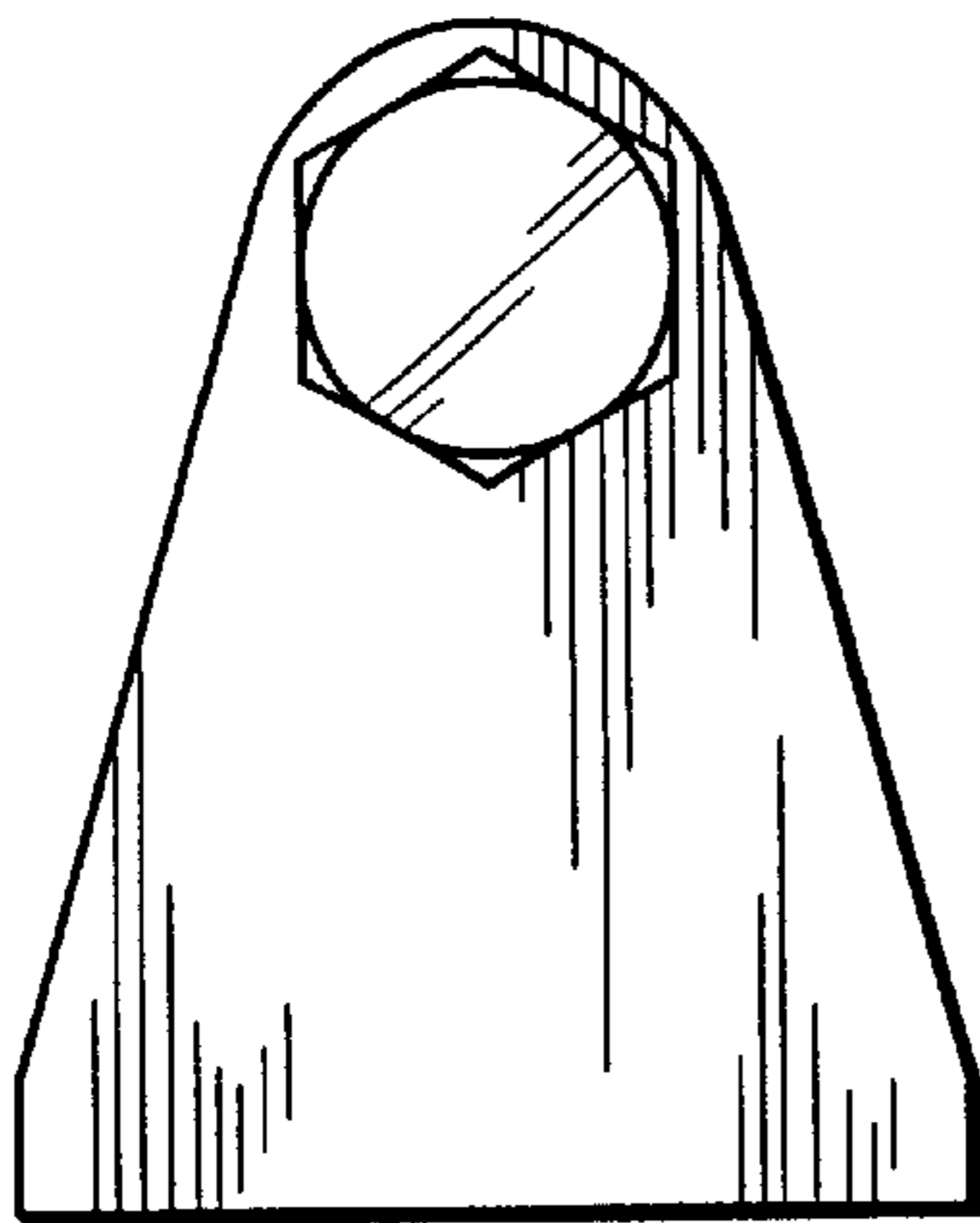


FIG. 5

FIG. 6

