



US00D469335S

(12) **United States Design Patent**  
**Votruba et al.**

(10) **Patent No.:** **US D469,335 S**

(45) **Date of Patent:** **\*\* Jan. 28, 2003**

(54) **STRIKER**  
(75) Inventors: **Edward J. Votruba**, Chandler, AZ  
(US); **Patrick W. Breslin**, Peoria, AZ  
(US); **Michael H. Dilgard**, Tempe, AZ  
(US); **David L. Simpson**, Higley, AZ  
(US); **Thomas F. Bone**, Mesa, AZ (US)

(73) Assignee: **U-Haul International, Inc.**, Phoenix,  
AZ (US)

(\*\*) Term: **14 Years**

(21) Appl. No.: **29/145,869**

(22) Filed: **Jul. 31, 2001**

**Related U.S. Application Data**

(63) Continuation-in-part of application No. 09/901,375, filed on Jul. 9, 2001, which is a continuation-in-part of application No. 09/884,706, filed on Jun. 19, 2001.

(51) **LOC (7) Cl.** ..... **08-08**

(52) **U.S. Cl.** ..... **D8/343**

(58) **Field of Search** ..... D8/330, 331, 336,  
D8/339, 343, 344, 345; 292/340, 341, 341.15,  
341.17, DIG. 12, DIG. 24

(56) **References Cited**

**U.S. PATENT DOCUMENTS**

|             |         |               |         |
|-------------|---------|---------------|---------|
| 1,112,738 A | 10/1914 | Voigt         | 292/104 |
| 2,339,537 A | 1/1944  | Wise          | 292/110 |
| 2,595,450 A | 5/1952  | Coffing       | 294/83  |
| 2,727,774 A | 12/1955 | Marple et al. | 292/216 |
| 2,728,971 A | 1/1956  | Harter        | 292/17  |

|             |          |                  |         |
|-------------|----------|------------------|---------|
| 2,931,205 A | 4/1960   | Schmitz          | 292/229 |
| 3,425,727 A | 2/1969   | Swanson          | 292/129 |
| 3,893,722 A | 7/1975   | Galbreath et al. | 292/100 |
| 4,014,572 A | 3/1977   | Binns            | 292/108 |
| D283,299 S  | * 4/1986 | Mazie            | D8/343  |
| 4,709,950 A | 12/1987  | Zortman          | 292/92  |
| 5,174,617 A | 12/1992  | Huber et al.     | 292/108 |
| 5,269,586 A | 12/1993  | Hahn et al.      | 292/224 |
| 5,273,325 A | 12/1993  | Zimmerman        | 292/216 |
| 5,522,626 A | 6/1996   | Dominique        | 292/198 |
| 5,632,515 A | 5/1997   | Dowling          | 292/216 |
| 5,713,691 A | 2/1998   | Solberg          | 403/322 |
| 5,820,170 A | 10/1998  | Clancy           | 292/26  |
| D441,272 S  | * 5/2001 | Shedd et al.     | D8/344  |

\* cited by examiner

*Primary Examiner*—Brian N. Vinson

(74) *Attorney, Agent, or Firm*—Jeffer, Mangels, Butler & Marmaro LLP

(57) **CLAIM**

The ornamental design for a striker, as shown and described.

**DESCRIPTION**

FIG. 1 is a perspective view of a striker showing our new design.

FIG. 2 is a right side plan view of striker of FIG. 1, the left side elevational view being a mirror reflection of the right side elevational view.

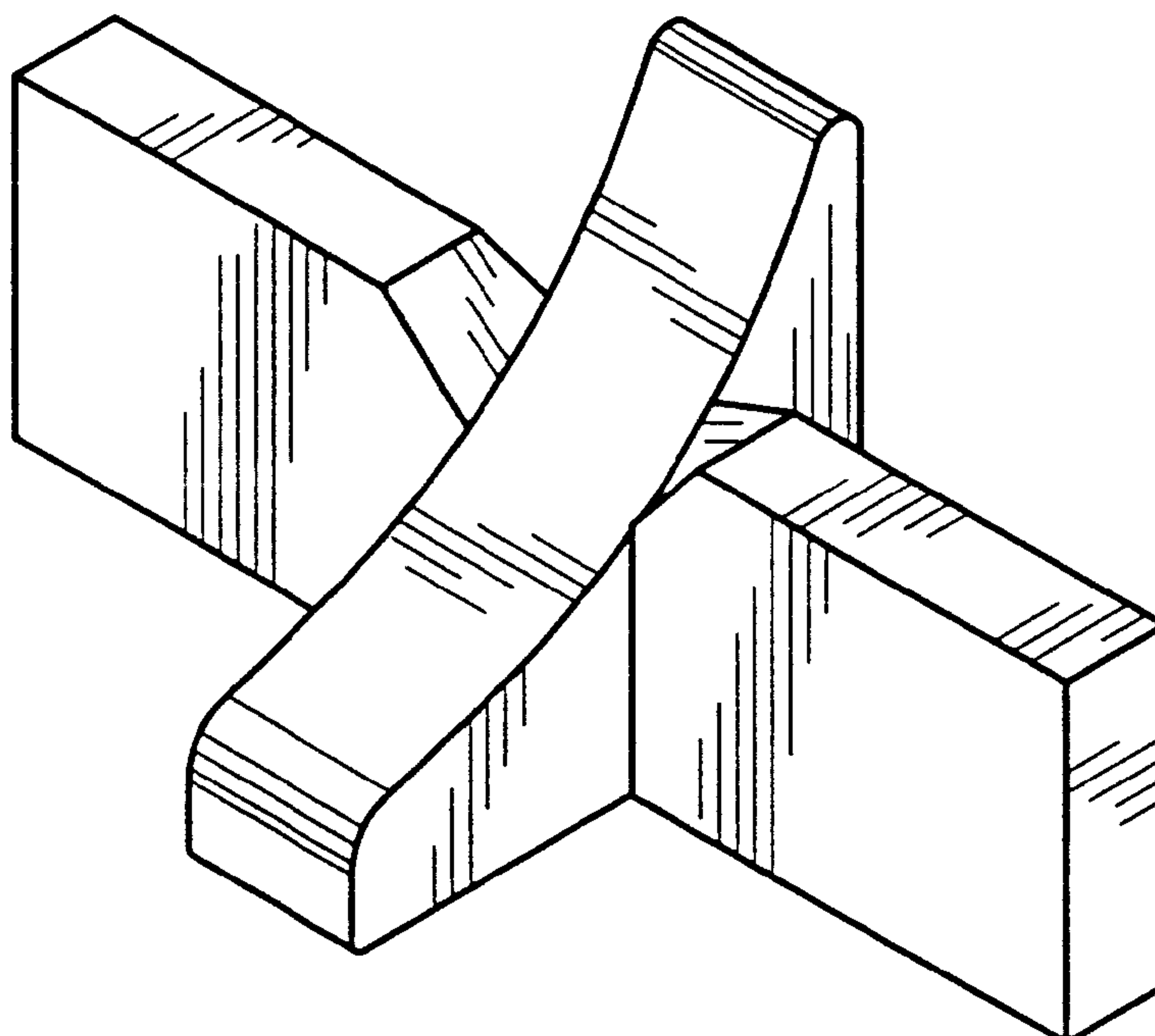
FIG. 3 is a rear elevational view of the striker of FIG. 1.

FIG. 4 is top elevational view of the striker of FIG. 1.

FIG. 5 is a front elevational view of the striker of FIG. 1; and,

FIG. 6 is a bottom plan view of the striker of FIG. 1.

**1 Claim, 2 Drawing Sheets**



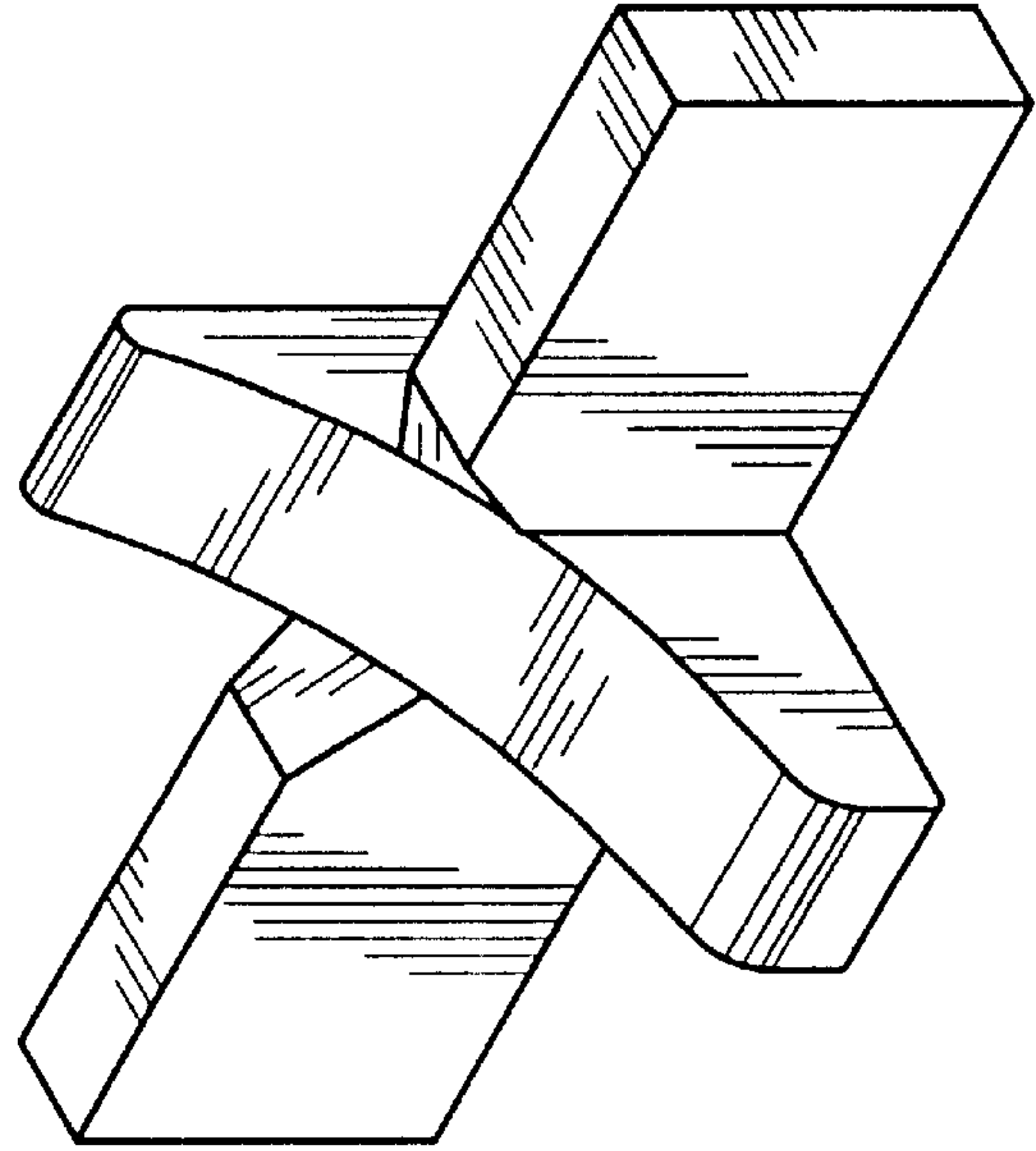
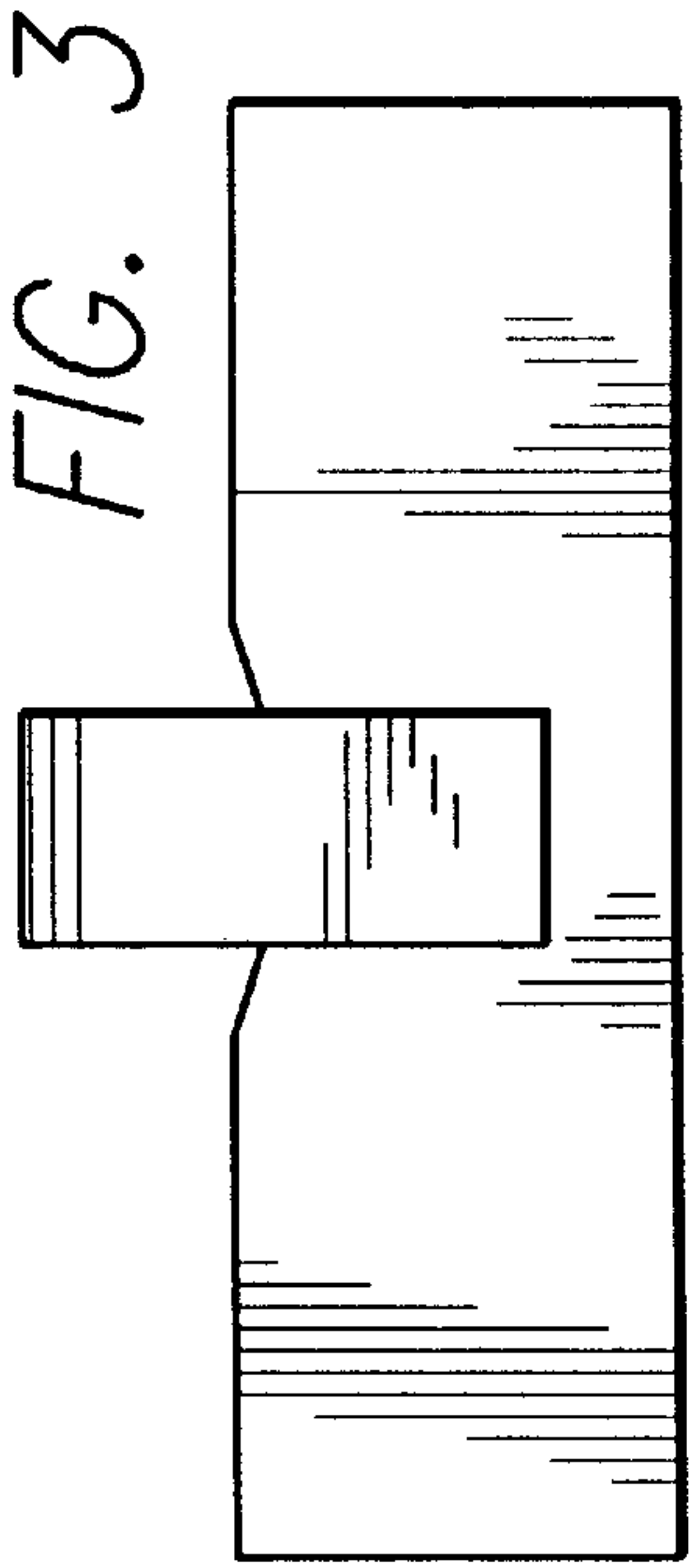
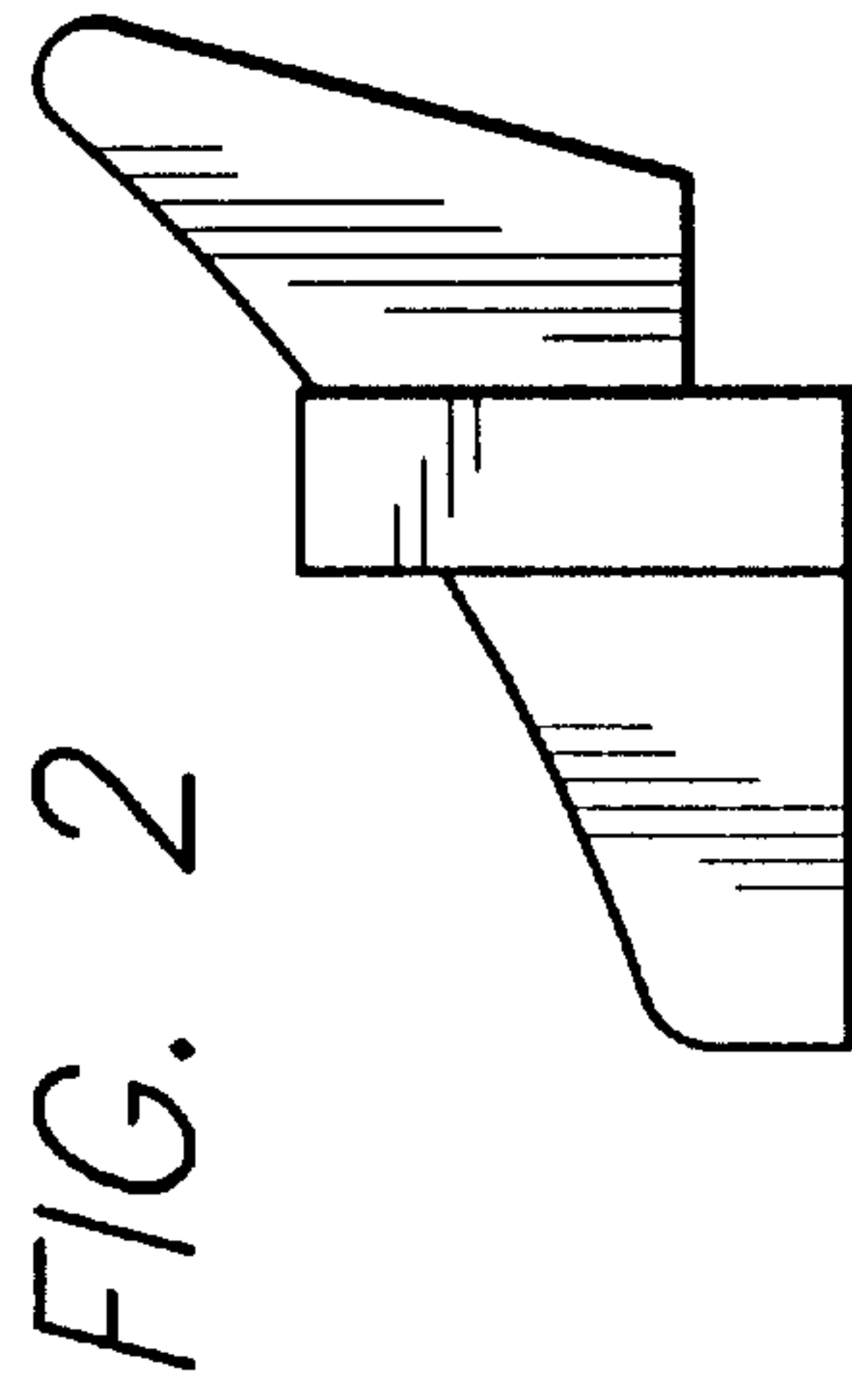


FIG. 1

FIG. 4

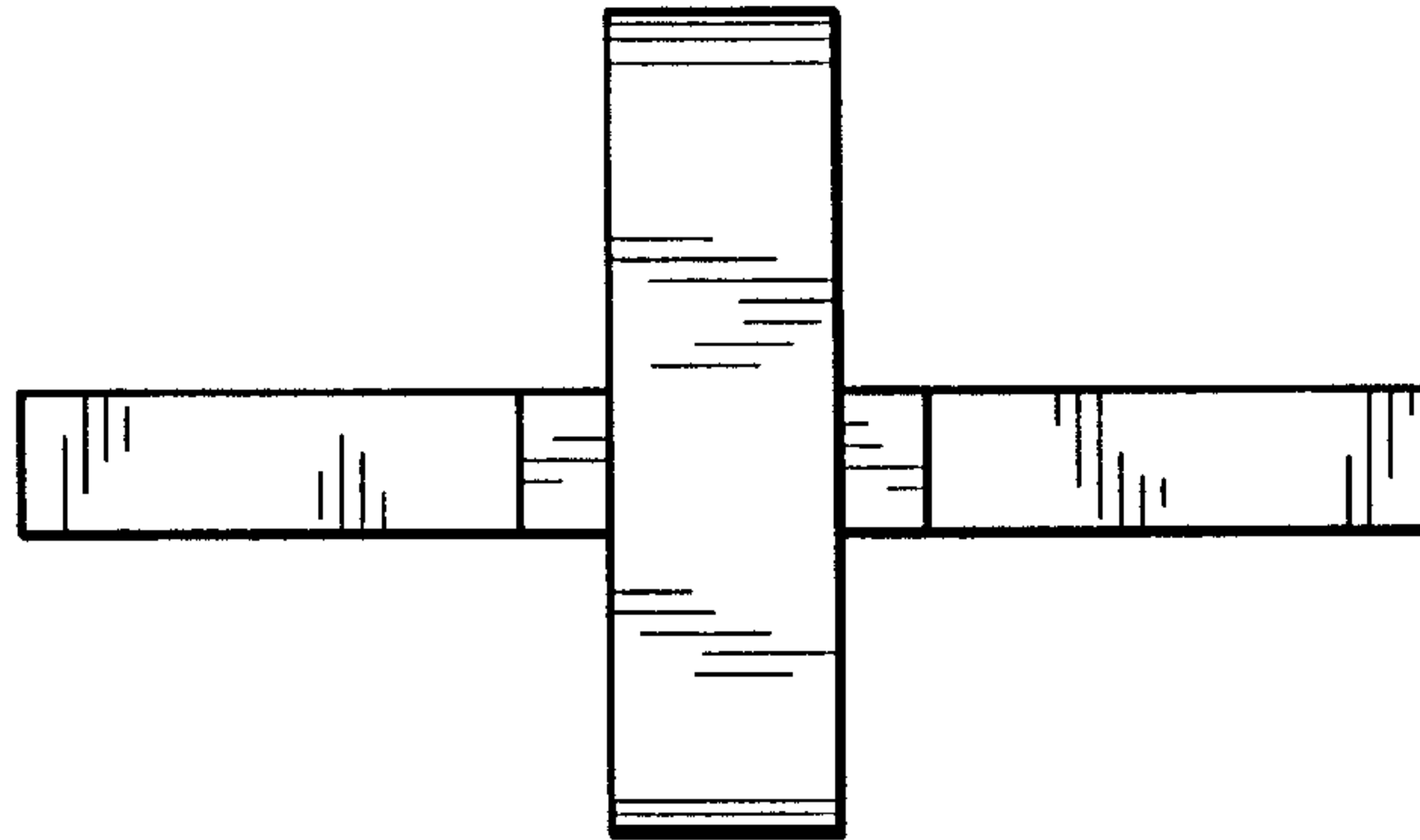


FIG. 5

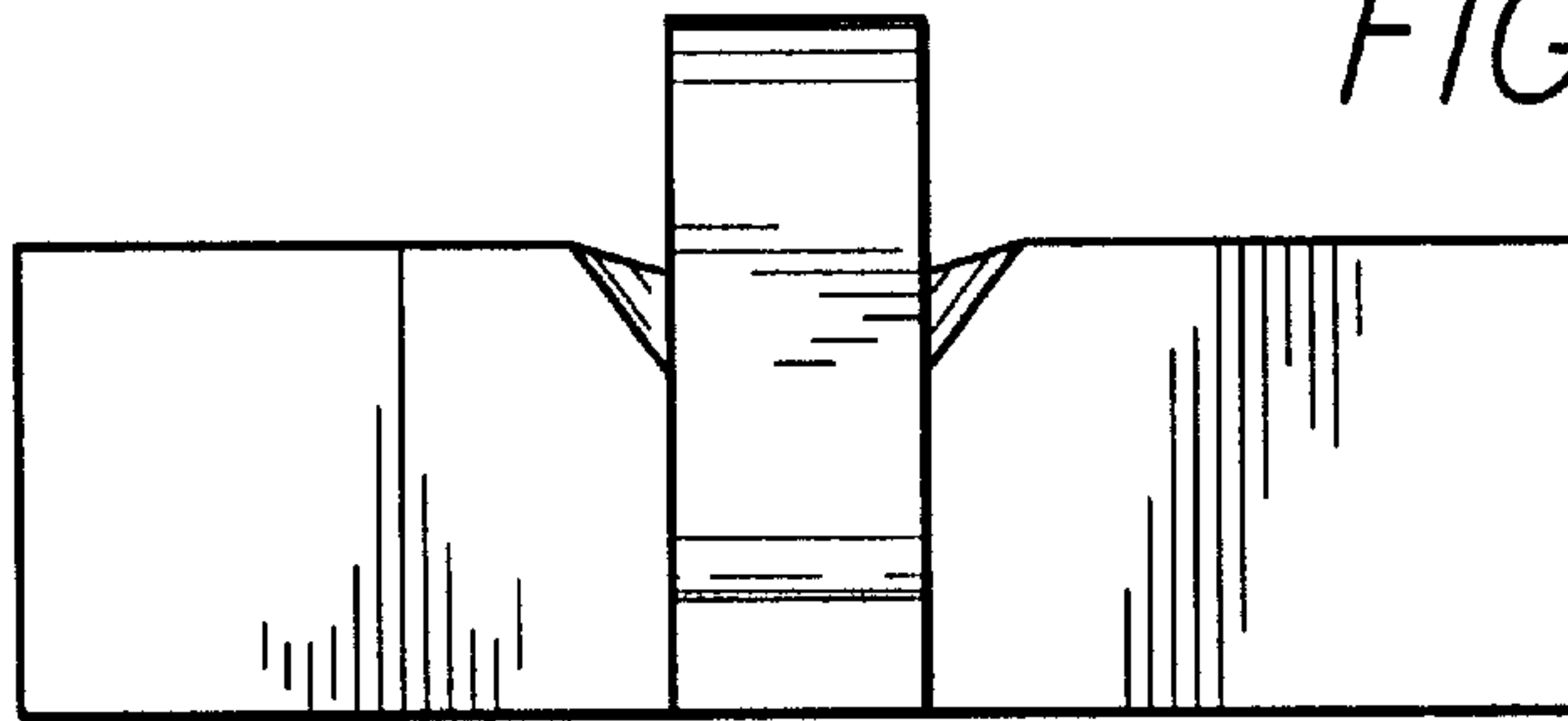


FIG. 6

