



US00D469332S

(12) **United States Design Patent**  
**Meekma et al.**

(10) **Patent No.: US D469,332 S**

(45) **Date of Patent: \*\* Jan. 28, 2003**

(54) **ADJUSTABLE CABLE LOCK**  
  
(75) Inventors: **Glenn Meekma**, Menomonee Falls, WI (US); **John B. Zapushek**, Racine, WI (US); **Terrence K. Mahon**, Whitefish Bay, WI (US); **Dio Caverro**, Columbus, OH (US)

(73) Assignee: **Master Lock Company**, Milwaukee, WI (US)

(\*\*) Term: **14 Years**

(21) Appl. No.: **29/146,000**

(22) Filed: **Aug. 1, 2001**

(51) **LOC (7) Cl. .... 08-07**

(52) **U.S. Cl. .... D8/333**

(58) **Field of Search** ..... D8/330, 331, 333;  
70/14, 57, 57.1, 58, 77, 233, 336, 344,  
DIG. 27

(56) **References Cited**

**U.S. PATENT DOCUMENTS**

1,358,184	A	11/1920	Voight	
1,380,719	A	6/1921	Johnson	
1,384,561	A	7/1921	Hampton	
1,394,259	A	10/1921	Johnson	
1,475,256	A	11/1923	Belair	
1,539,301	A	5/1925	Cooper	
1,566,965	A	12/1925	Johnson	
1,660,040	A	2/1928	Lehtonen	
2,190,661	A	2/1940	Hauer	70/49
3,841,118	A	10/1974	Stone	70/33
3,907,255	A	9/1975	McElroy	254/156
5,517,835	A	5/1996	Smith	70/14

D394,197	S	*	5/1998	Zeller	.....	D8/333
5,791,170	A		8/1998	Officer	.....	70/49
6,003,348	A		12/1999	McCrea	.....	70/18
D435,428	S	*	12/2000	Ling	.....	D8/333
D457,802	S	*	5/2002	Meekma et al.	.....	D8/333

**FOREIGN PATENT DOCUMENTS**

CA	1171294	7/1984
CA	2190575	11/1995
EP	0 893 562 A1	1/1999

\* cited by examiner

*Primary Examiner*—Brian N. Vinson

(74) *Attorney, Agent, or Firm*—Calfee, Halter & Griswold LLP

(57) **CLAIM**

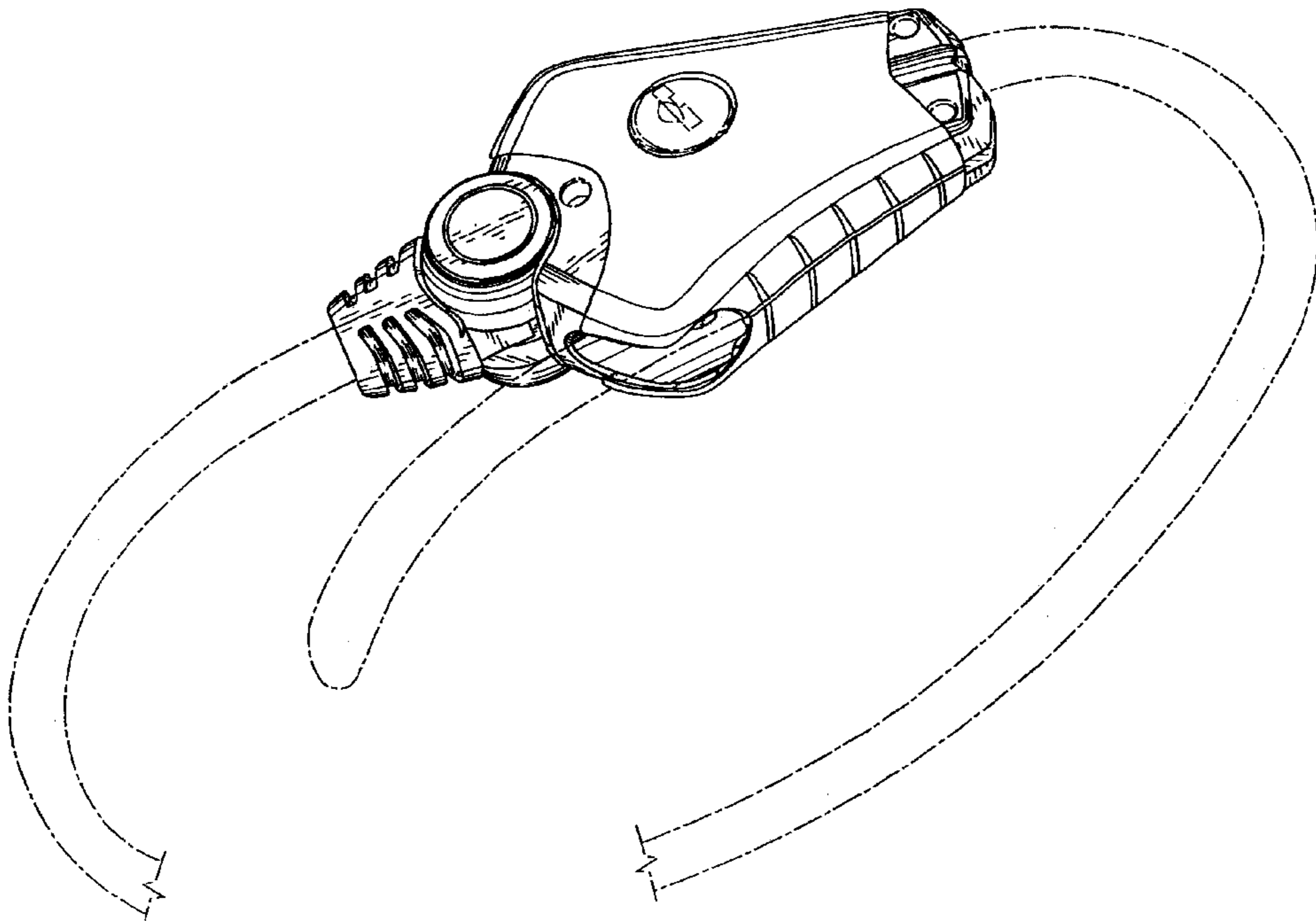
The ornamental design for an adjustable cable lock, as shown and described.

**DESCRIPTION**

FIG. 1 is a perspective view of an adjustable cable lock showing the new design; FIG. 2 is a front view of the adjustable cable lock of FIG. 1; FIG. 3 is a back view of the adjustable cable lock of FIG. 1; FIG. 4 is a top view of the adjustable cable lock of FIG. 1; FIG. 5 is a bottom view of the adjustable cable lock of FIG. 1; FIG. 6 is a right view of the adjustable cable lock of FIG. 1; and, FIG. 7 is a left view of the adjustable cable lock shown in FIG. 1.

The portions of the Figures shown in phantom lines are not part of the claimed design but are for illustration only.

**1 Claim, 6 Drawing Sheets**



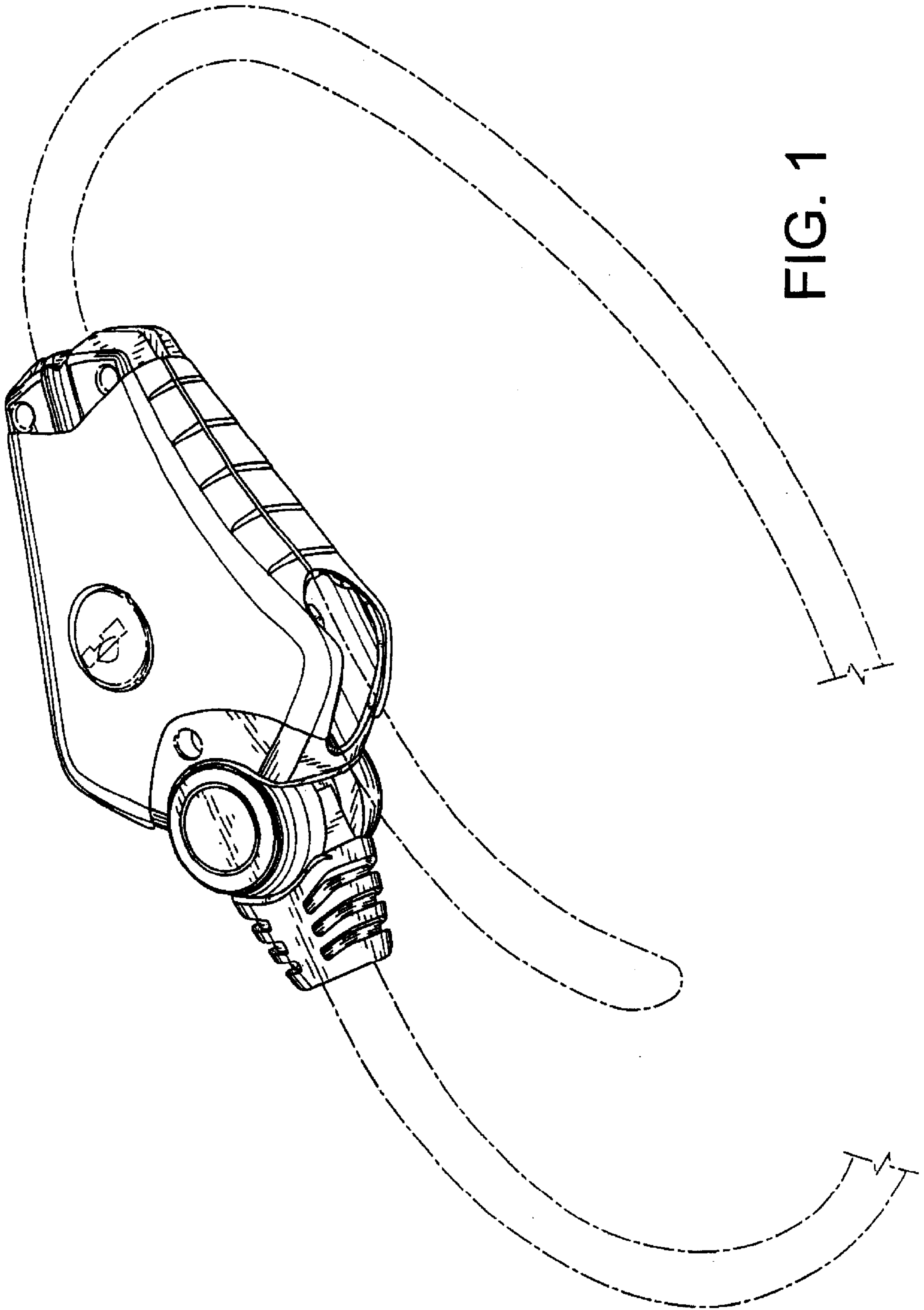


FIG. 1

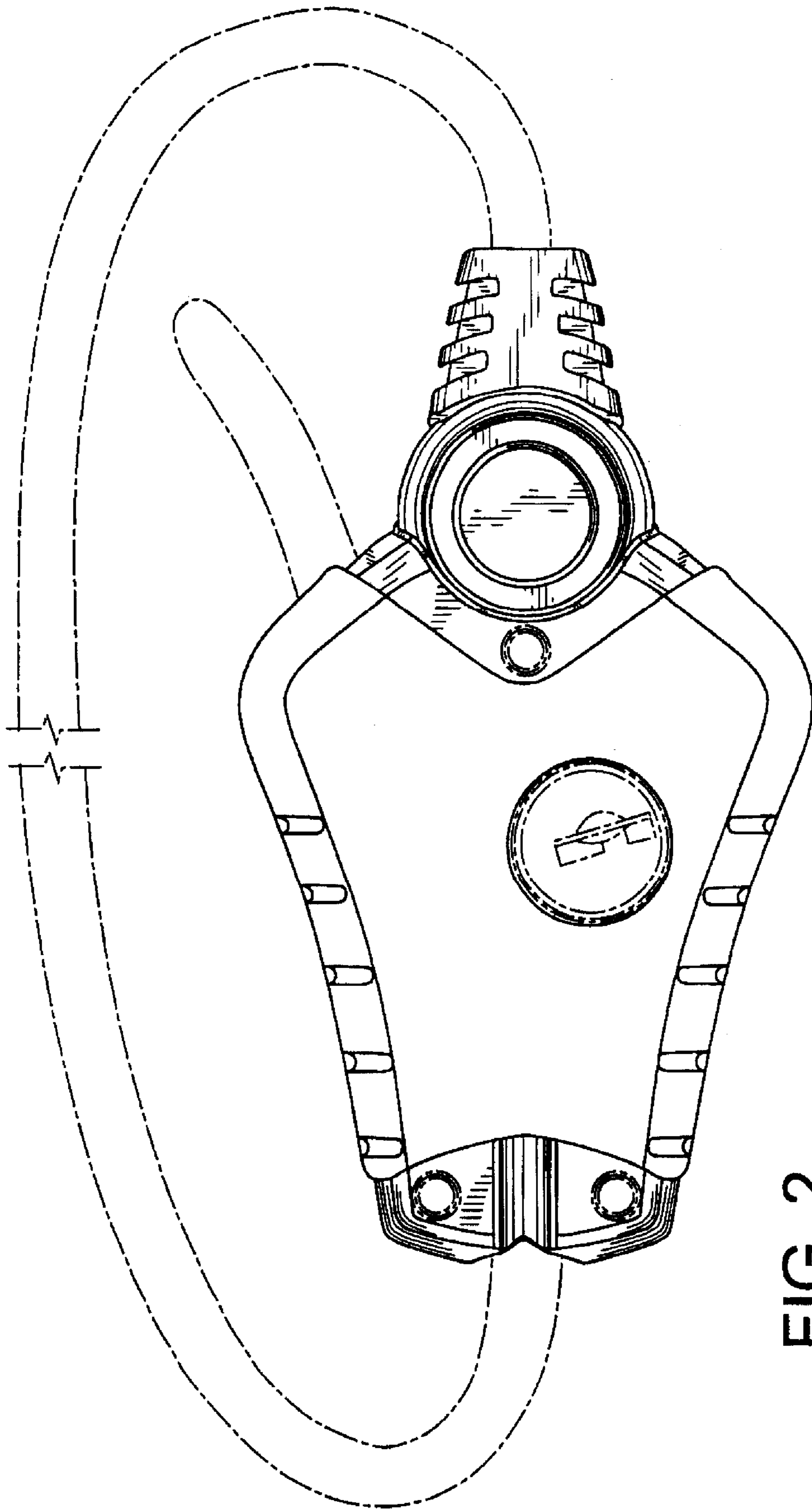


FIG. 2

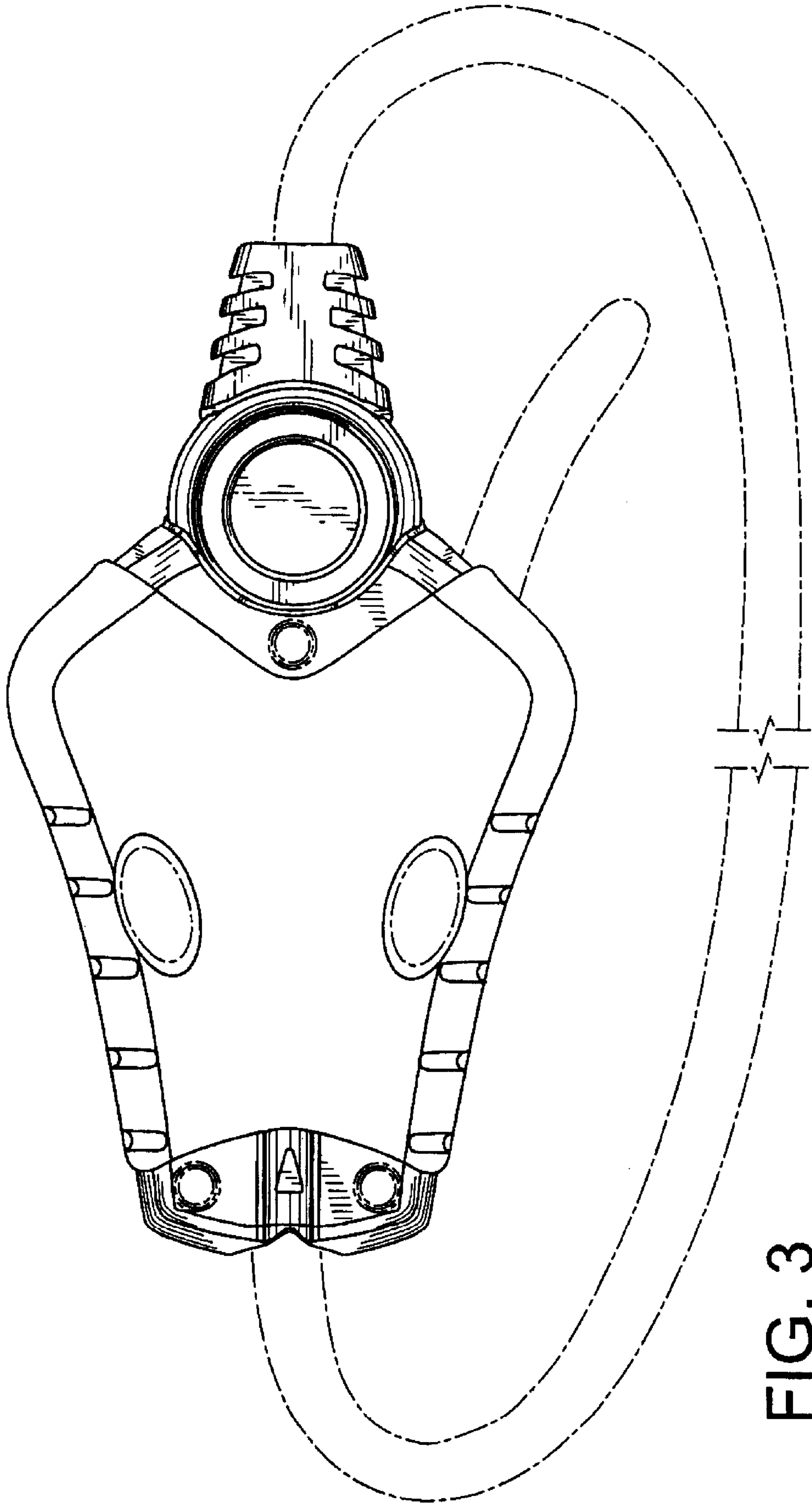


FIG. 3



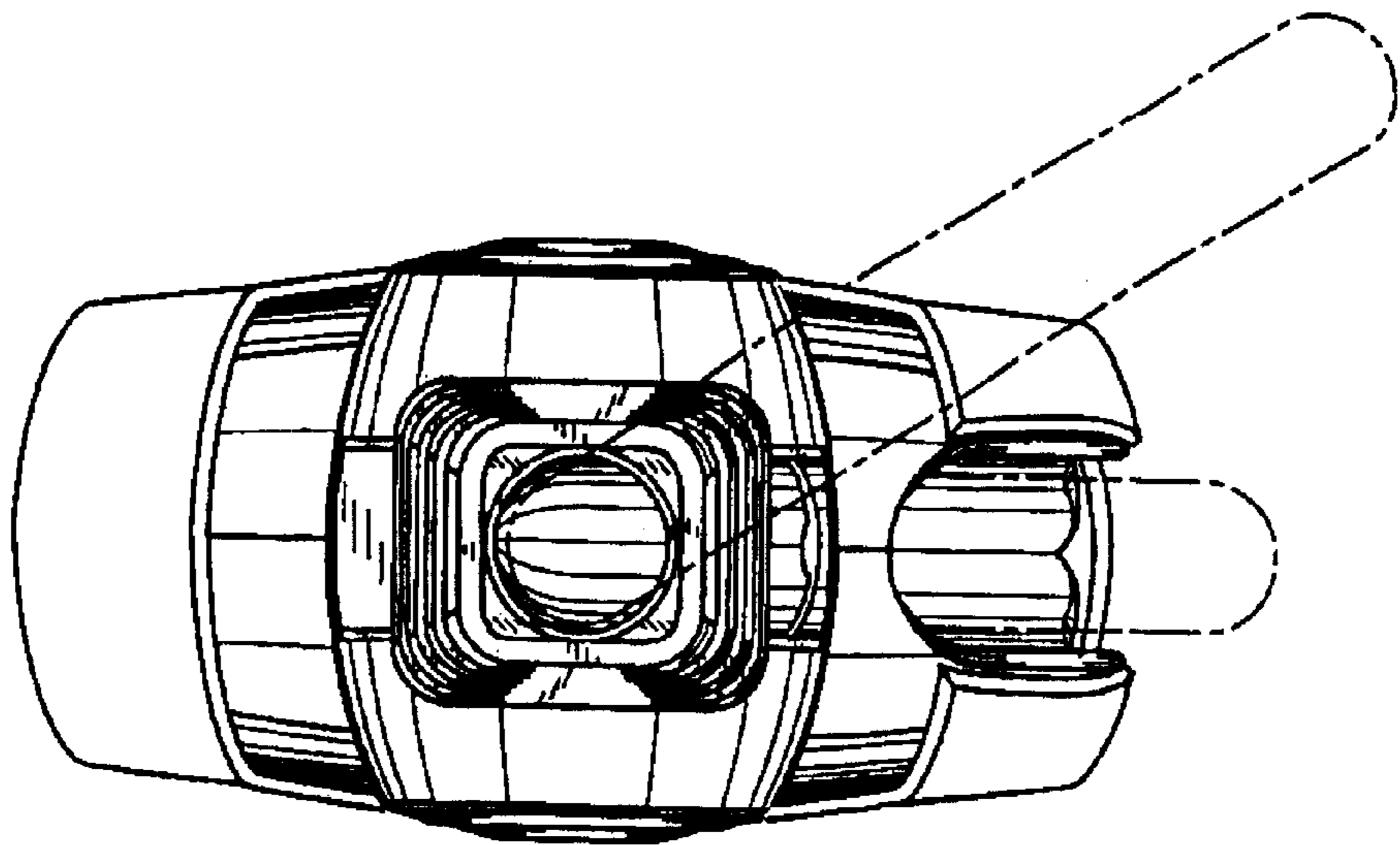


FIG. 4

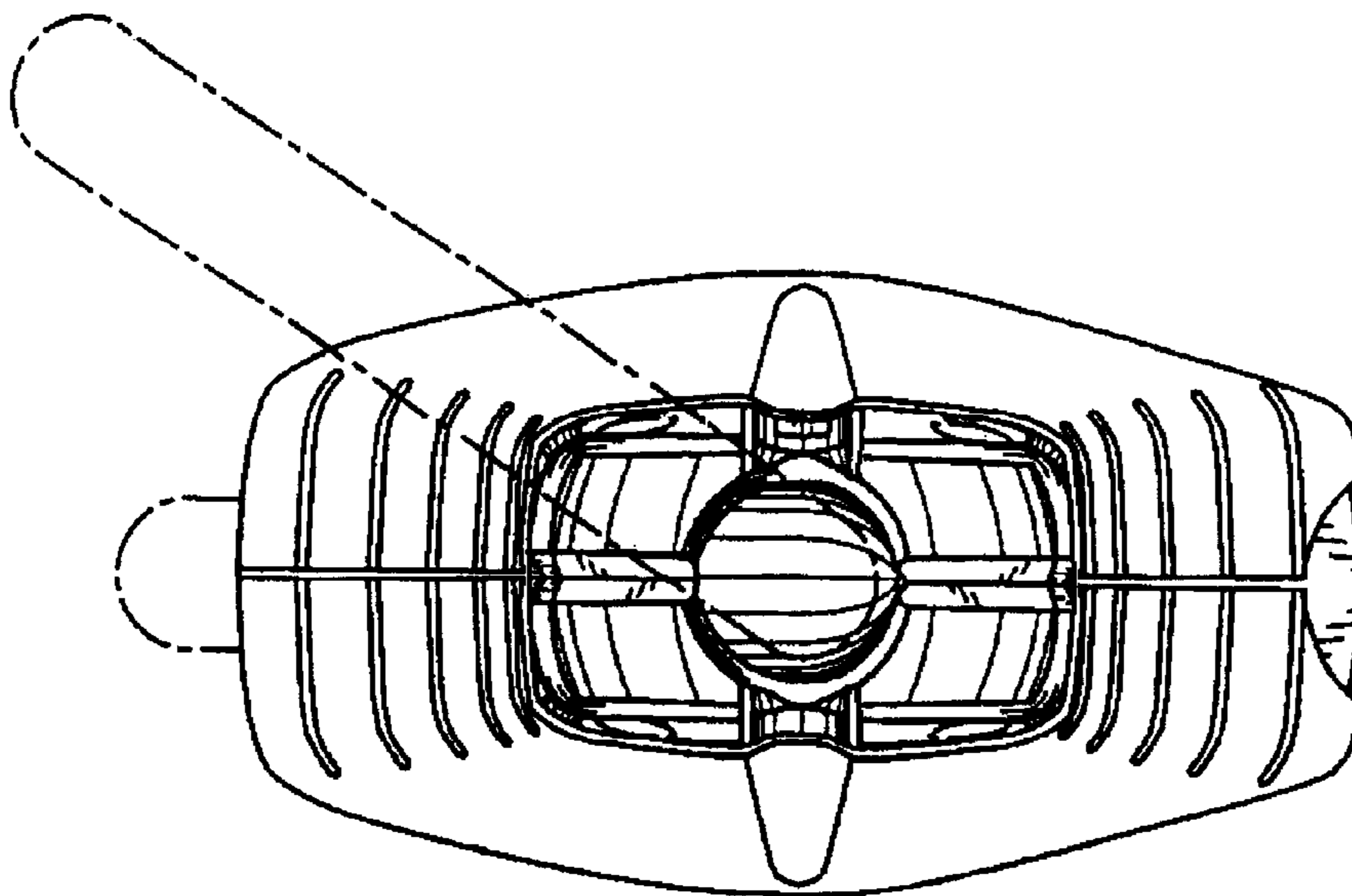


FIG. 5

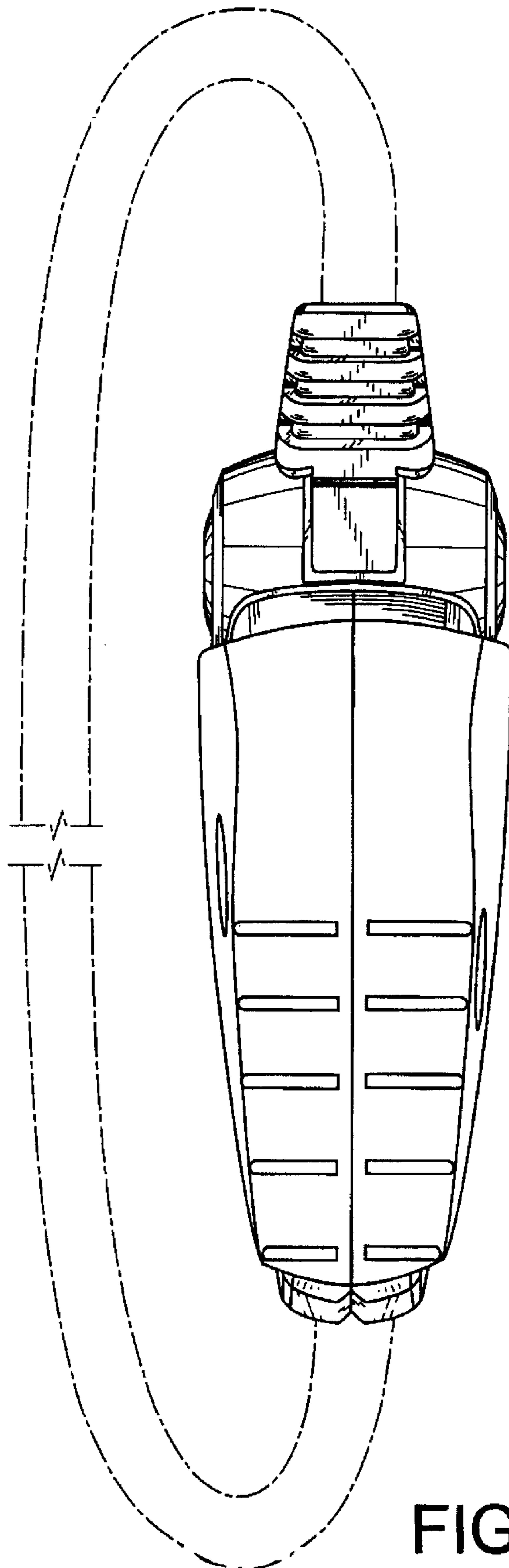


FIG. 6

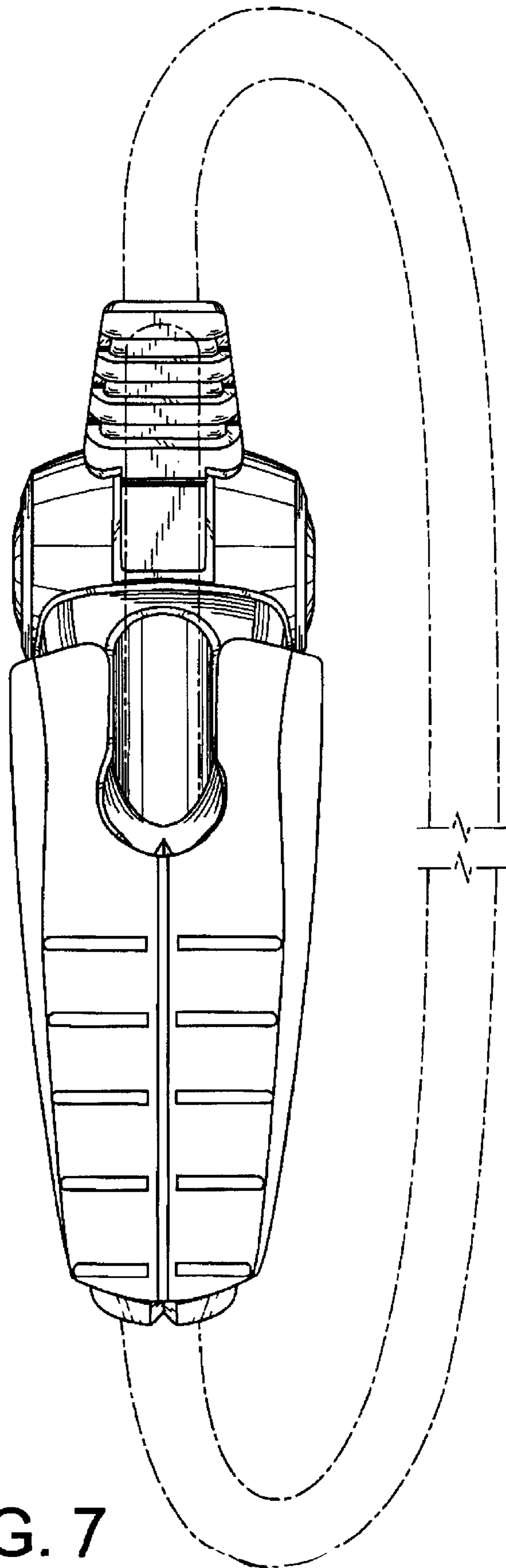


FIG. 7