



US00D469331S

(12) **United States Design Patent**
Hansen

(10) **Patent No.:** **US D469,331 S**

(45) **Date of Patent:** **** Jan. 28, 2003**

(54) **T-SHAPED HANDLE**

(75) Inventor: **Randall C. Hansen**, 6 Old Mill Ct.,
Columbia, SC (US) 29206

(73) Assignee: **Randall C. Hansen**

(**) Term: **14 Years**

(21) Appl. No.: **29/152,519**

(22) Filed: **Dec. 19, 2001**

(51) **LOC (7) Cl.** **08-06**

(52) **U.S. Cl.** **D8/306; D8/307**

(58) **Field of Search** D8/300-302, 306,
D8/307, 350, 352, 353, 338, 341; 292/336.3,
347, 356, 357, DIG. 12, 23.3, 31.67; 16/402,
412, 445; 70/208, 211, 101, 91

(56) **References Cited**

U.S. PATENT DOCUMENTS

- D119,418 S * 3/1940 Anderson et al.
- 4,370,874 A * 2/1983 Munn 292/DIG. 31
- 4,706,478 A 11/1987 Swan et al.
- 5,015,019 A * 5/1991 Razdolsky 292/336.3
- D323,776 S 2/1992 Hansen
- D328,231 S 7/1992 Hansen

- 5,526,660 A 6/1996 Bennett et al.
- 5,984,383 A 11/1999 Parikh et al.
- D442,844 S * 5/2001 Mirick D8/301
- 6,418,761 B1 * 7/2002 Wytcherley et al. 70/208

* cited by examiner

Primary Examiner—B. J. Bullock

(74) *Attorney, Agent, or Firm*—Dority & Manning, PA

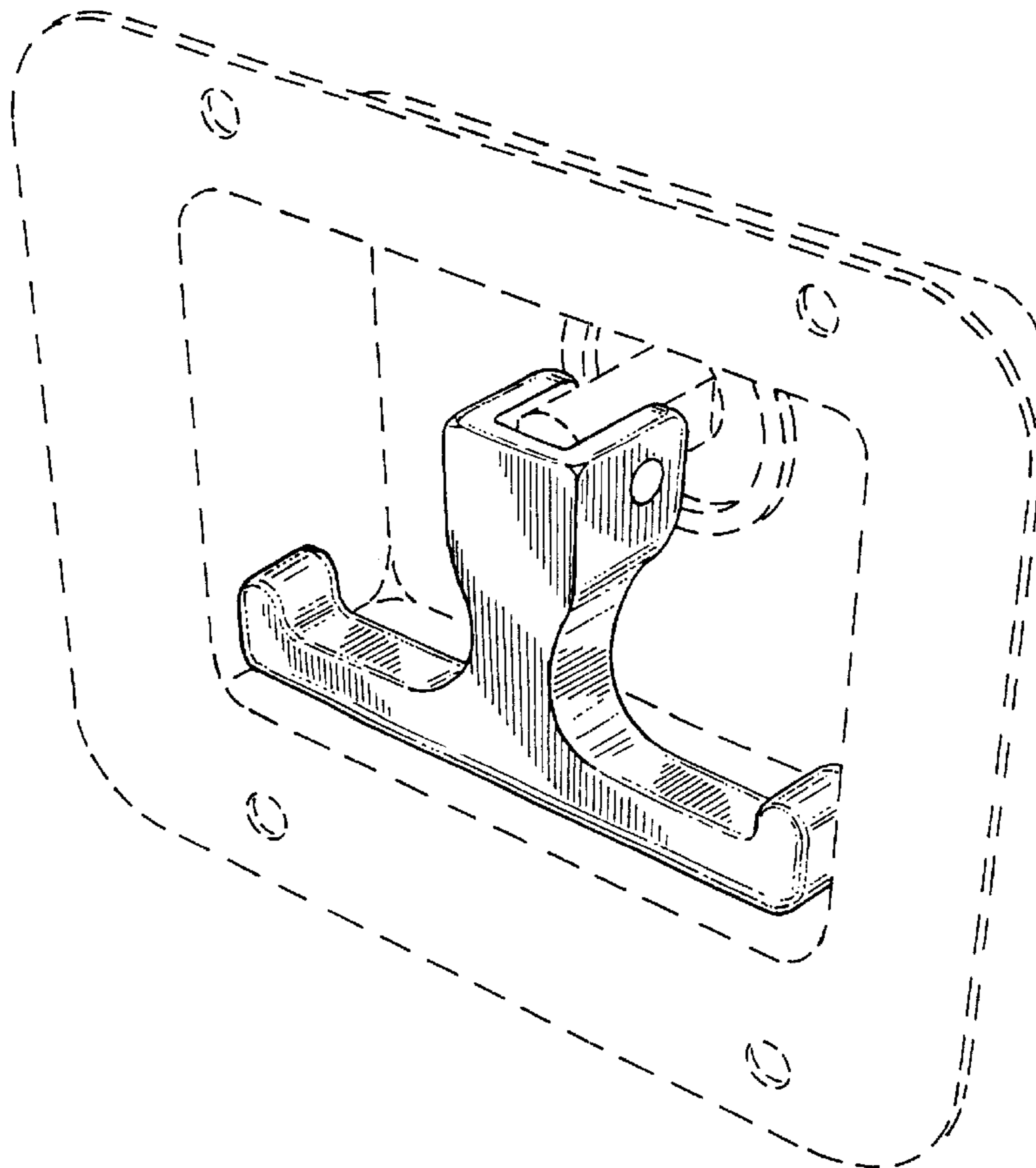
(57) **CLAIM**

The ornamental design for a T-shaped handle, as shown and described.

DESCRIPTION

FIG. 1 is a perspective view of a T-shaped handle. The handle is shown attached to a shaft in a conventional tray. FIG. 2 is a front view of the T-shaped handle of FIG. 1. FIG. 3 is a back view of the T-shaped handle of FIG. 1. FIG. 4 is a top view of the T-shaped handle of FIG. 1. FIG. 5 is a bottom view of the T-shaped handle of FIG. 1. FIG. 6 is a right-side view of the T-shaped handle of FIG. 1; and, FIG. 7 is a left-side view of the T-shaped handle of FIG. 1. The broken lines are for illustrative purposes only and form no part of the claimed design.

1 Claim, 3 Drawing Sheets



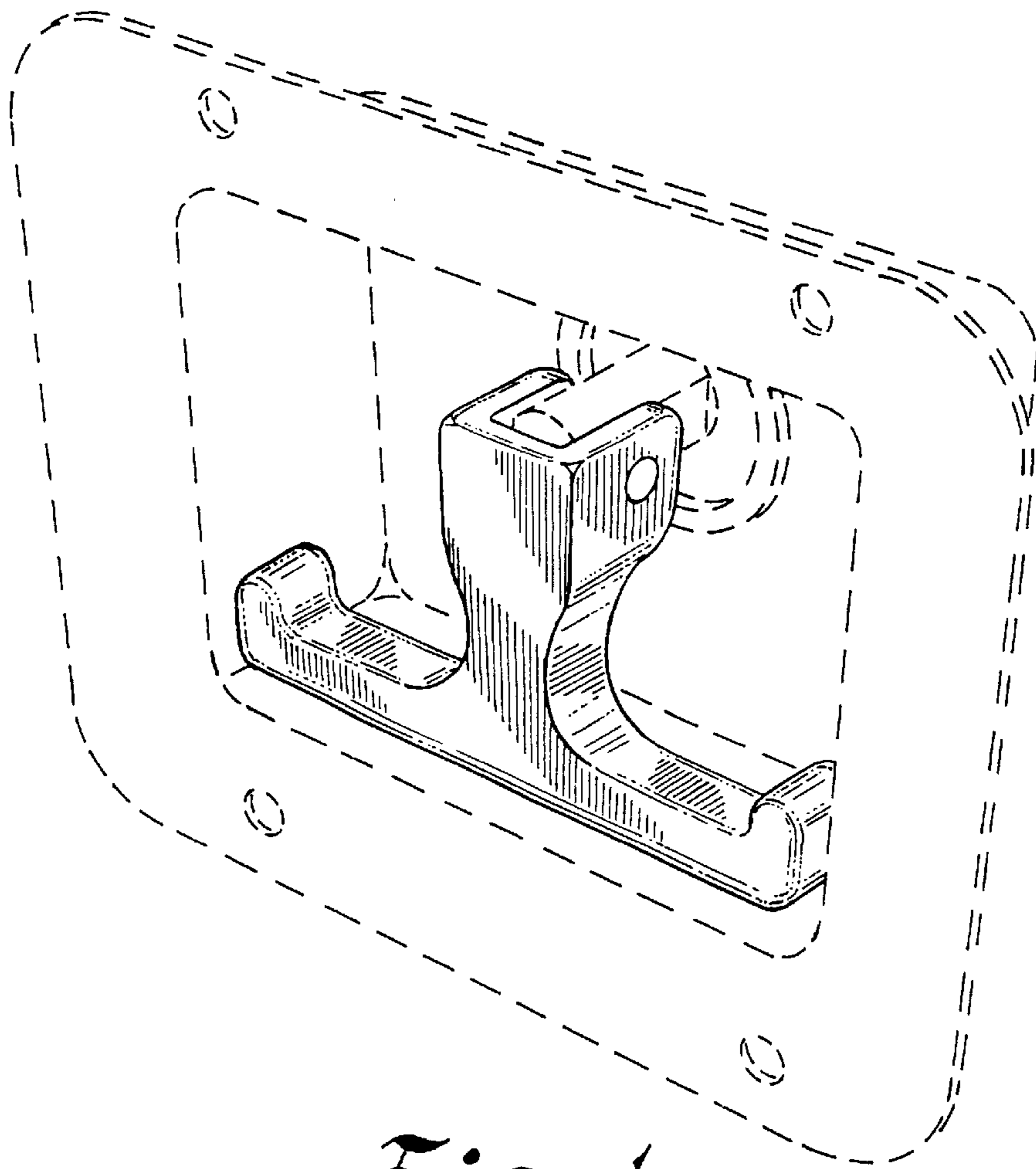


Fig. 1

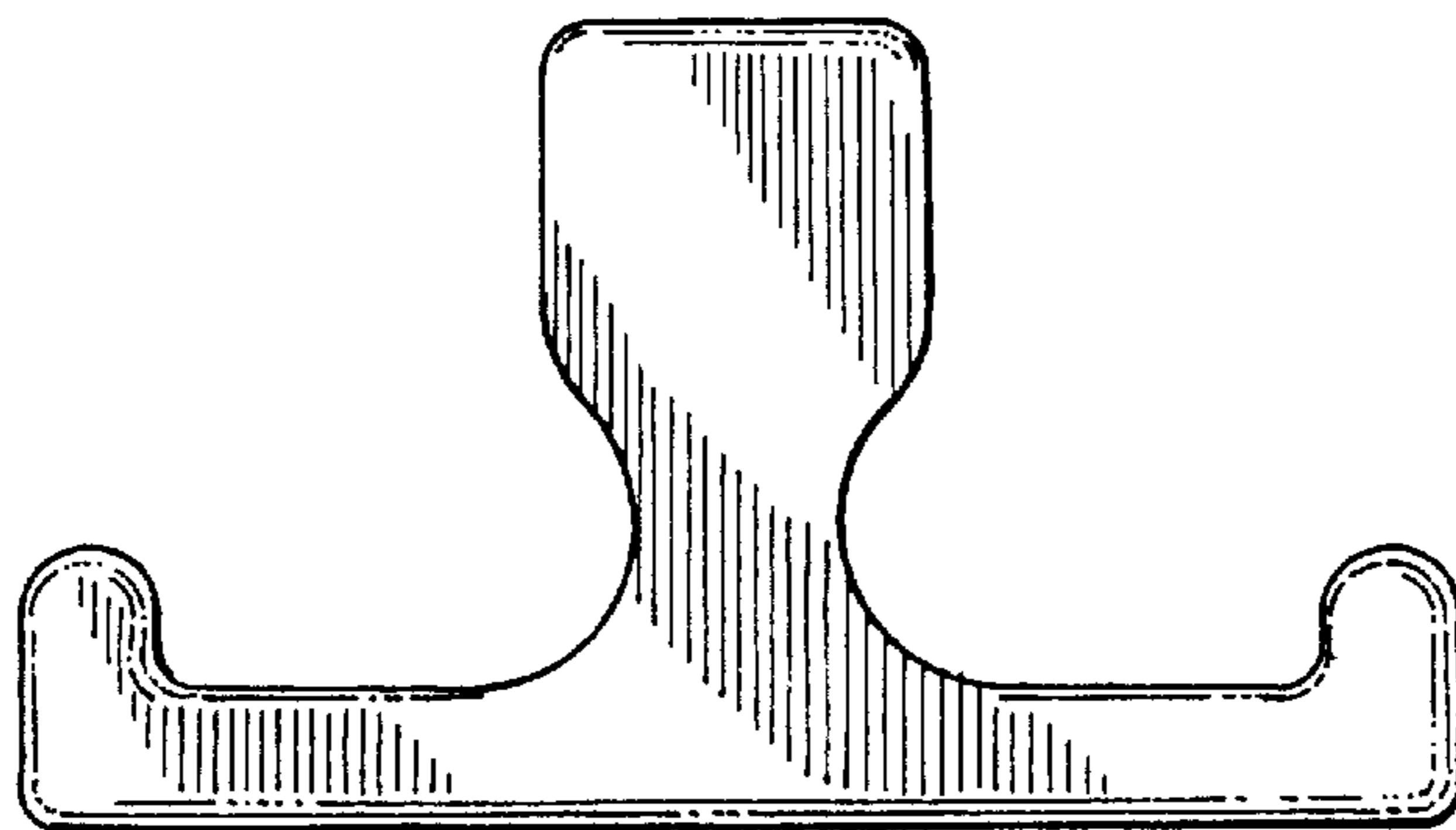


Fig. 2

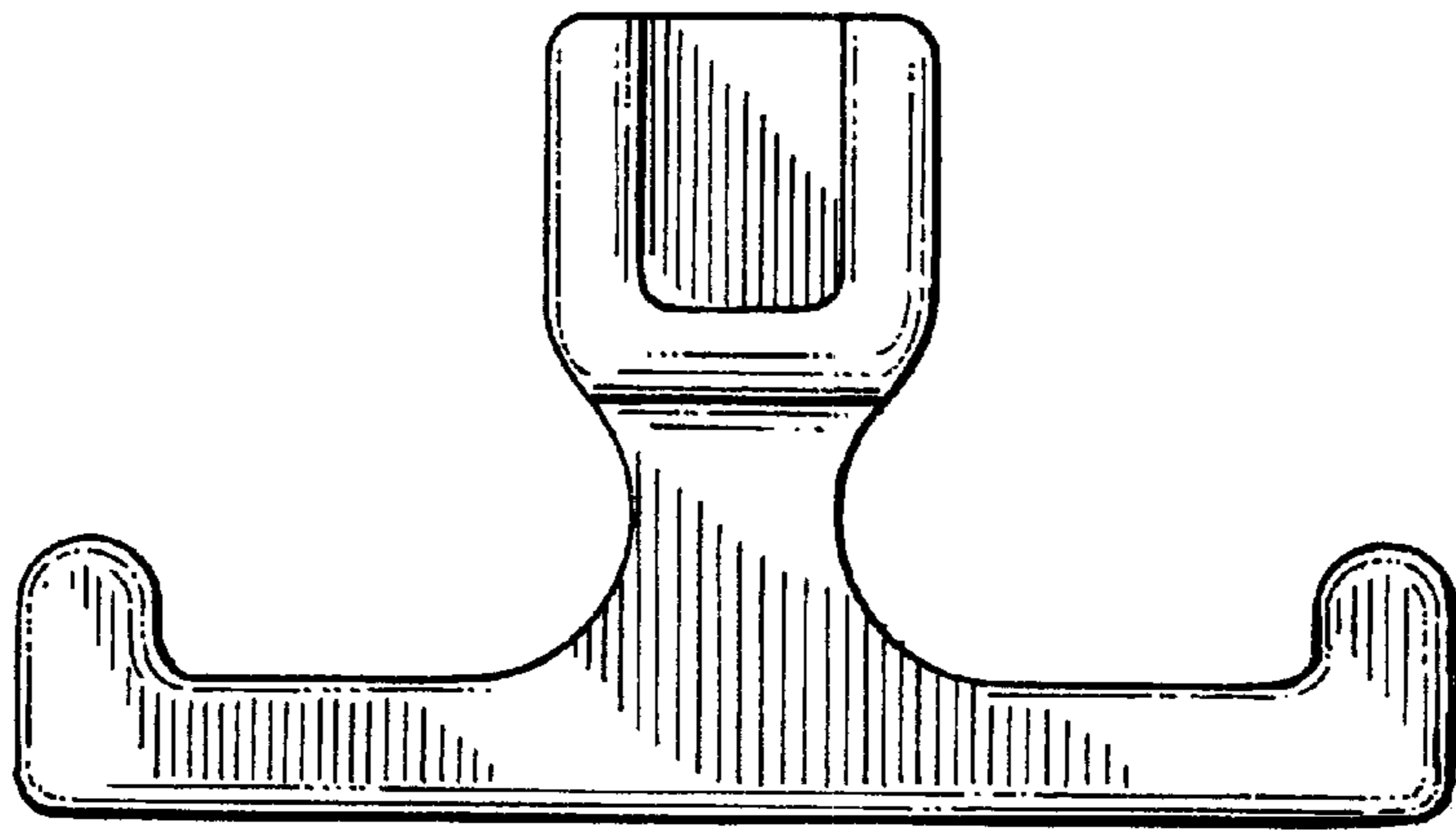


Fig. 3

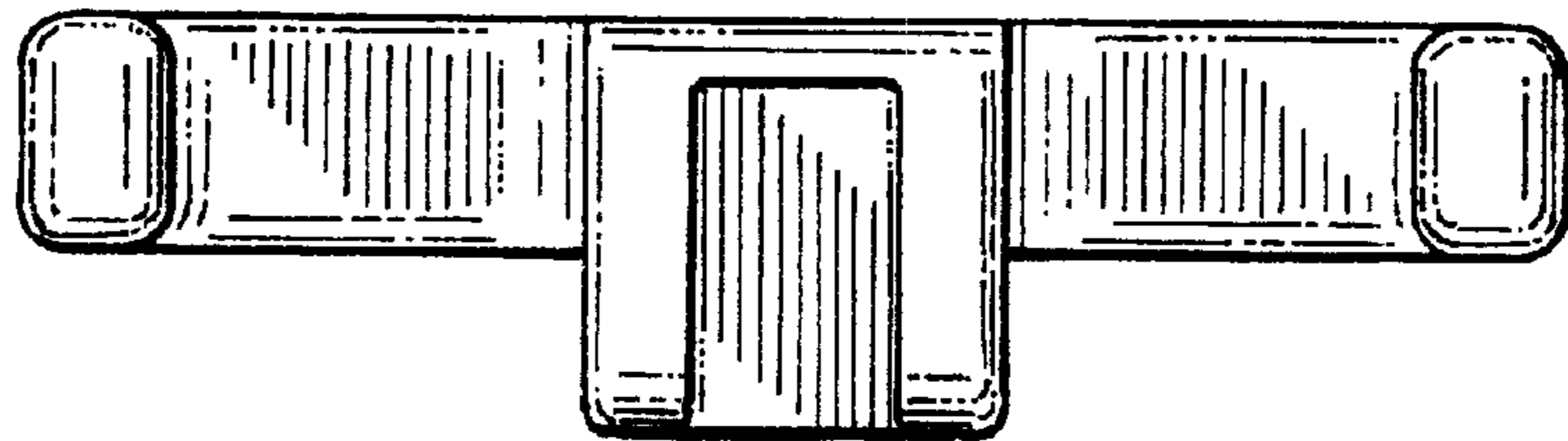


Fig. 4

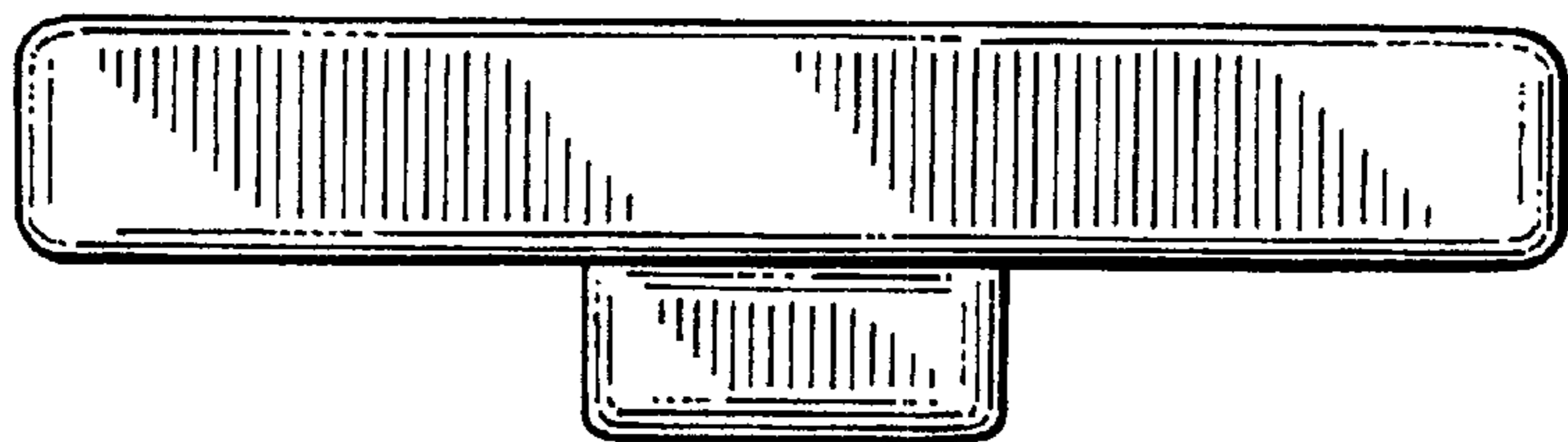


Fig. 5

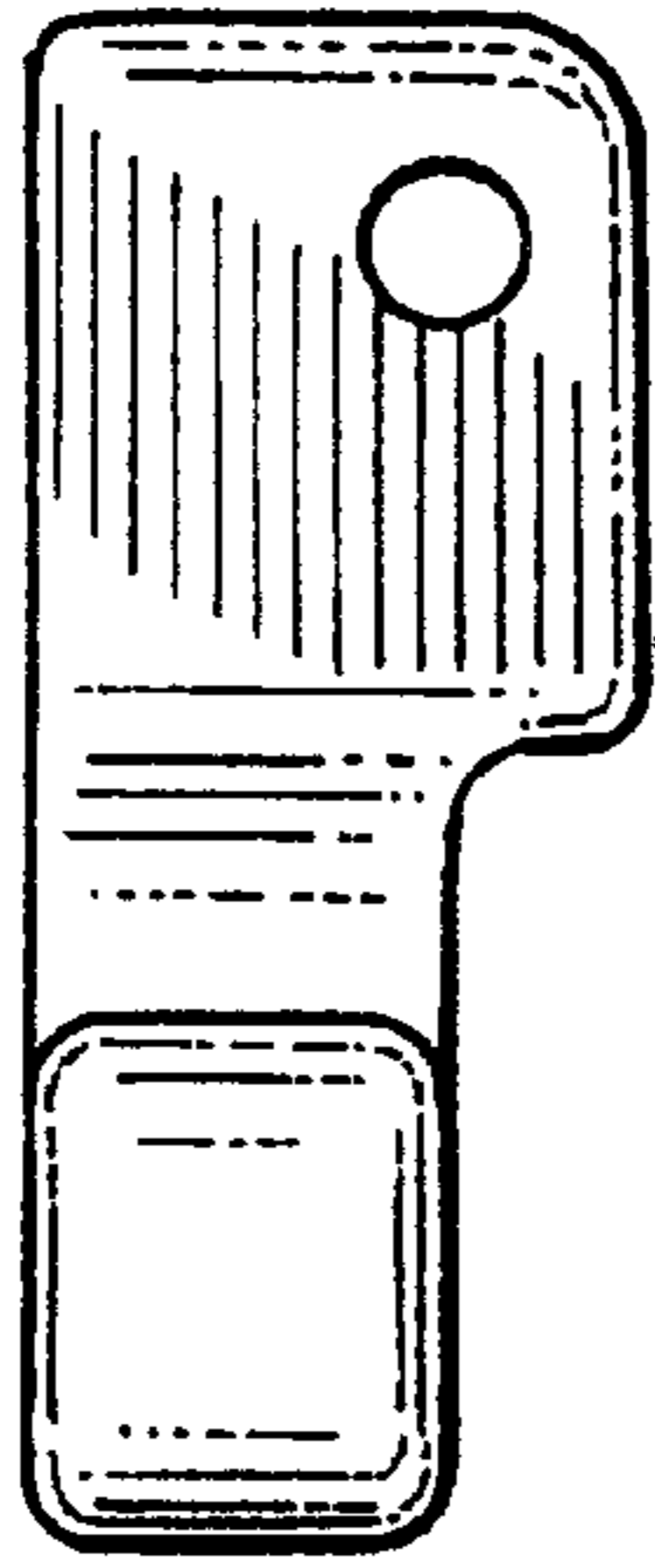


Fig. 6

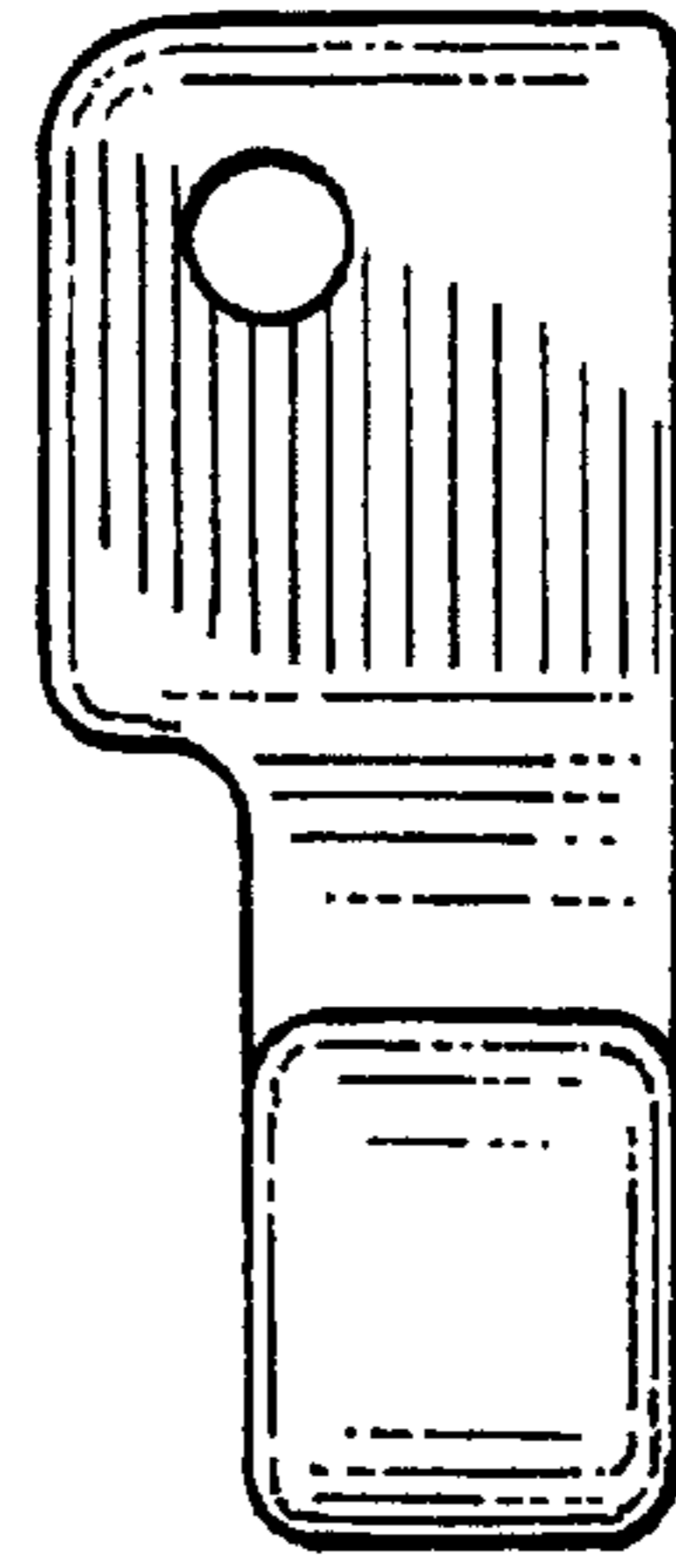


Fig. 7