



US00D469330S

(12) **United States Design Patent**
Novoa

(10) **Patent No.:** **US D469,330 S**

(45) **Date of Patent:** **** Jan. 28, 2003**

(54) **HANDLEBAR GRIP**

D354,216 S * 1/1995 Chen D8/303

(76) Inventor: **Luis Novoa**, Finkenweg 10, CH-2557
Studen (CH)

FOREIGN PATENT DOCUMENTS

FR 2654698 5/1991

(**) Term: **14 Years**

* cited by examiner

(21) Appl. No.: **29/152,567**

Primary Examiner—Alan P. Douglas

Assistant Examiner—Linda Brooks

(22) Filed: **Dec. 26, 2001**

(74) *Attorney, Agent, or Firm*—Ostrolenk, Faber, Gerb & Soffen, LLP

(51) **LOC (7) Cl.** **08-06**

(52) **U.S. Cl.** **D8/303**

(57) **CLAIM**

(58) **Field of Search** D8/303; 74/551.8,
74/551.9; 16/110.1, 421, 430

The ornamental design for a handlebar grip, as shown and described.

(56) **References Cited**

DESCRIPTION

U.S. PATENT DOCUMENTS

FIG. 1 is a perspective view of a handlebar grip of my new design; and,

FIG. 2 is an enlarged end view thereof.

5,165,301	A	11/1992	Jeshurun et al.	74/551.1
D340,636	S	* 10/1993	Ming-Chang	D8/303
5,269,196	A	12/1993	Rafac	74/551.1
D352,443	S	* 11/1994	Chen	D8/303

1 Claim, 1 Drawing Sheet

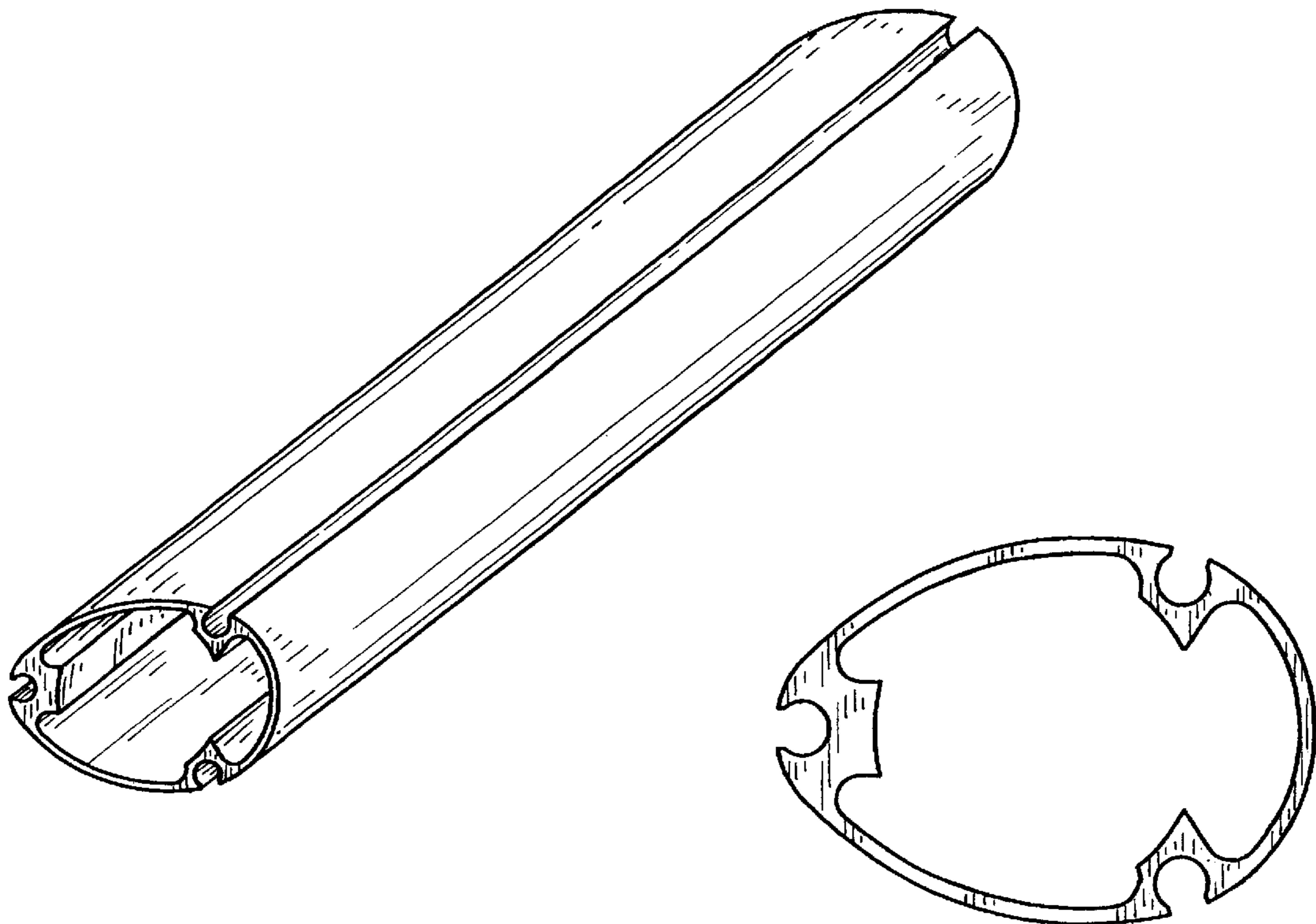


FIG. 1

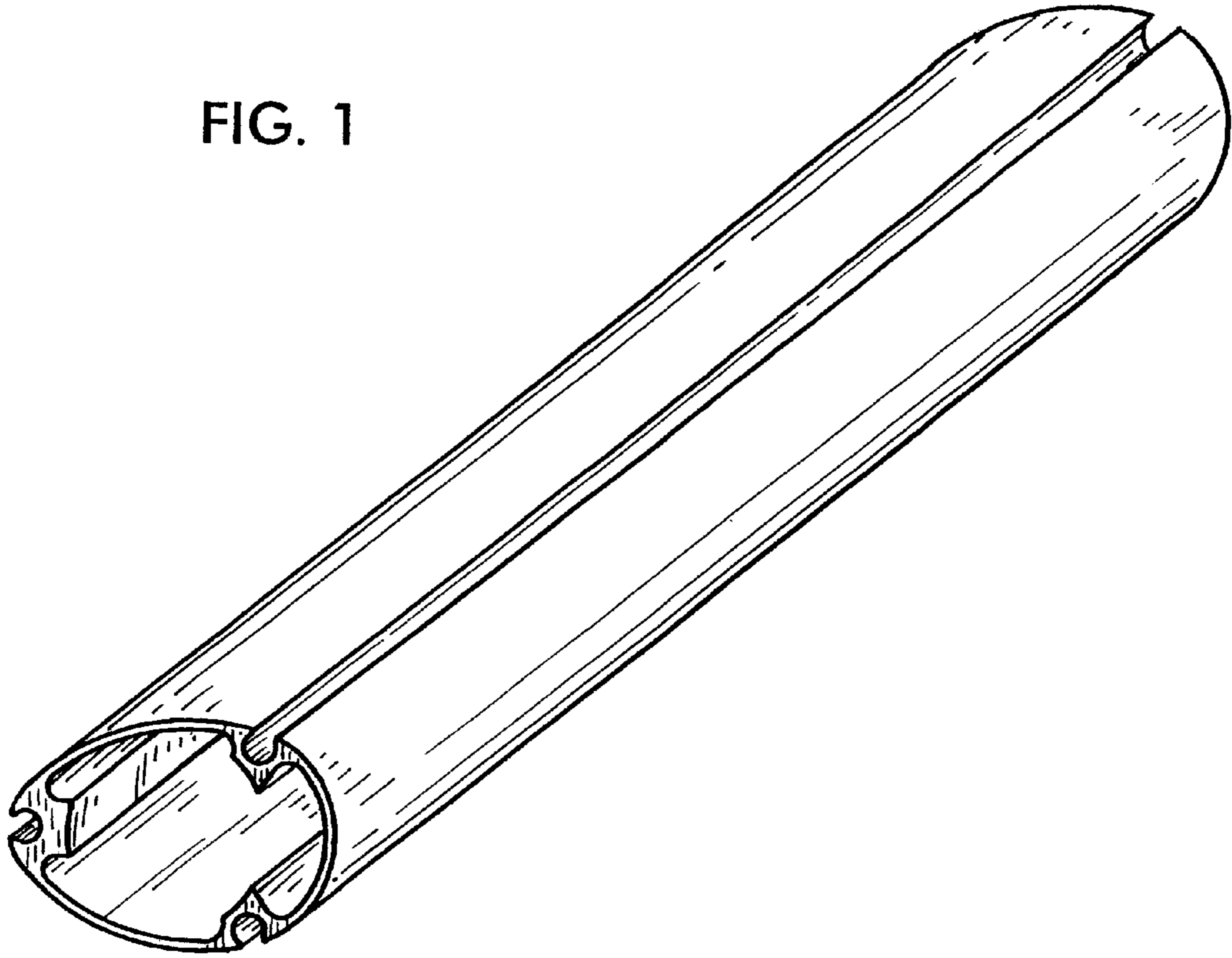


FIG. 2

