



US00D469329S

(12) **United States Design Patent**  
**Martin**

(10) **Patent No.:** **US D469,329 S**

(45) **Date of Patent:** **\*\* Jan. 28, 2003**

(54) **INTEGRATED CABINET HANDLE AND LOCK**

D322,385 S \* 12/1991 Simonton et al. .... D8/313  
5,074,009 A \* 12/1991 Simonton et al. .... 312/348.6  
5,369,969 A \* 12/1994 Sassella et al. .... 292/347  
D402,528 S \* 12/1998 Brucker ..... D8/313

(75) Inventor: **Frank J. Martin**, Seattle, WA (US)

\* cited by examiner

(73) Assignee: **Olympus Lock, Inc.**, Seattle, WA (US)

*Primary Examiner*—B. J. Bullock

(\*\*) Term: **14 Years**

(74) *Attorney, Agent, or Firm*—Seed IP Law Group PLLC

(21) Appl. No.: **29/160,753**

(57) **CLAIM**

(22) Filed: **May 15, 2002**

The ornamental design for an integrated cabinet handle and lock, as shown and described.

**Related U.S. Application Data**

**DESCRIPTION**

(63) Continuation of application No. 09/702,368, filed on Oct. 30, 2000, now Pat. No. 6,412,317.

FIG. 1 is a front right perspective view of an integrated cabinet handle and lock showing my new design.

(51) **LOC (7) Cl.** ..... **08-06**

FIG. 2 is a front elevational view of the design.

(52) **U.S. Cl.** ..... **D8/301; D8/313; D8/316**

FIG. 3 is a right side elevational view of the design.

(58) **Field of Search** ..... D8/301, 302, 313, D8/316, 338, 341; 70/85, 86, 457, DIG. 31; 292/336.3, 347; 312/348.6, 348.4; 16/415, 422, 443

FIG. 4 is a rear elevational view of the design.

FIG. 5 is a top plan view of the design; and,

FIG. 6 is a bottom plan view of the design.

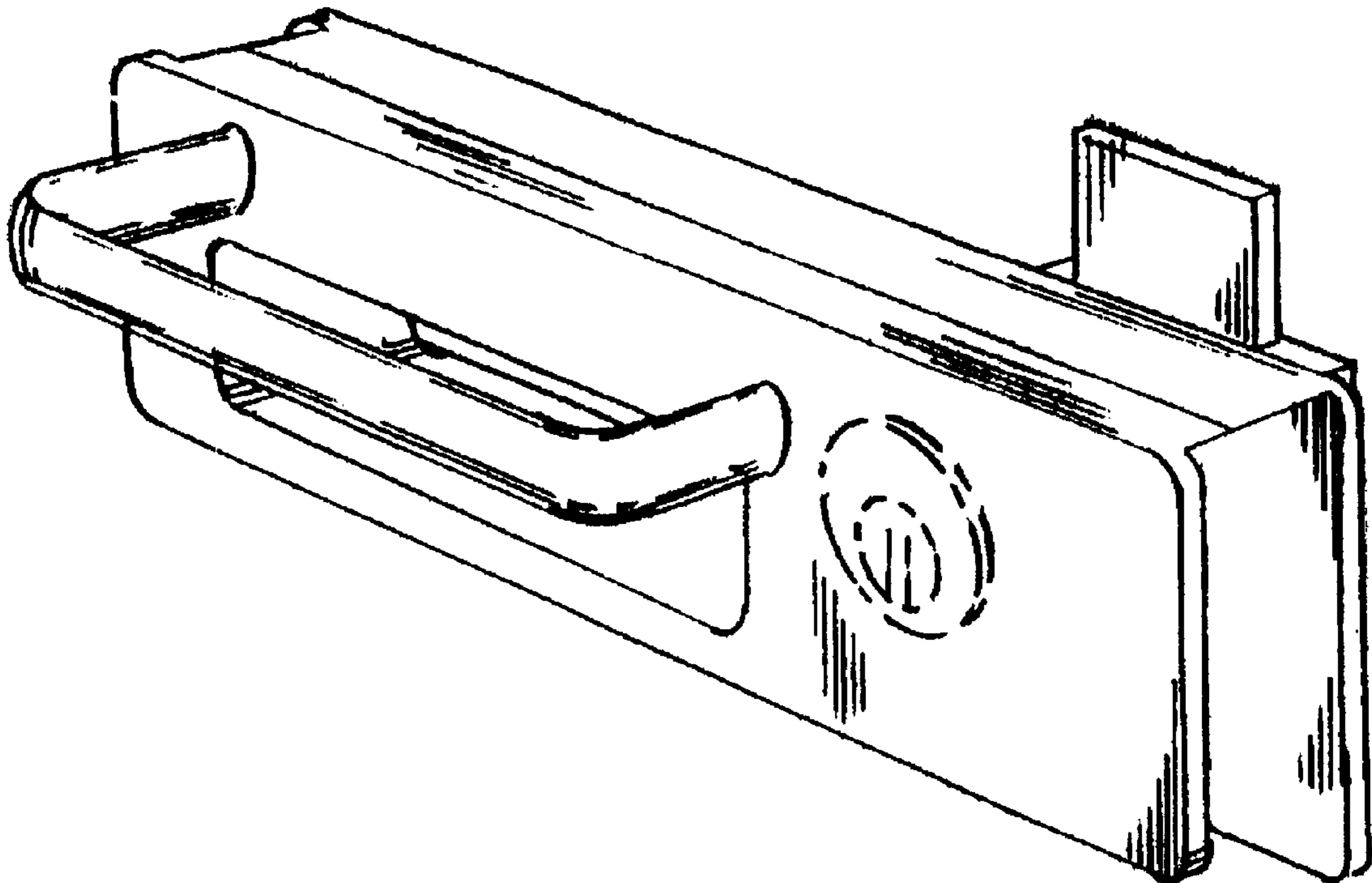
The broken lines are for illustrative purposes only and form no part of the claimed design.

(56) **References Cited**

**U.S. PATENT DOCUMENTS**

4,744,126 A \* 5/1988 Bisbing ..... 16/443

**1 Claim, 2 Drawing Sheets**



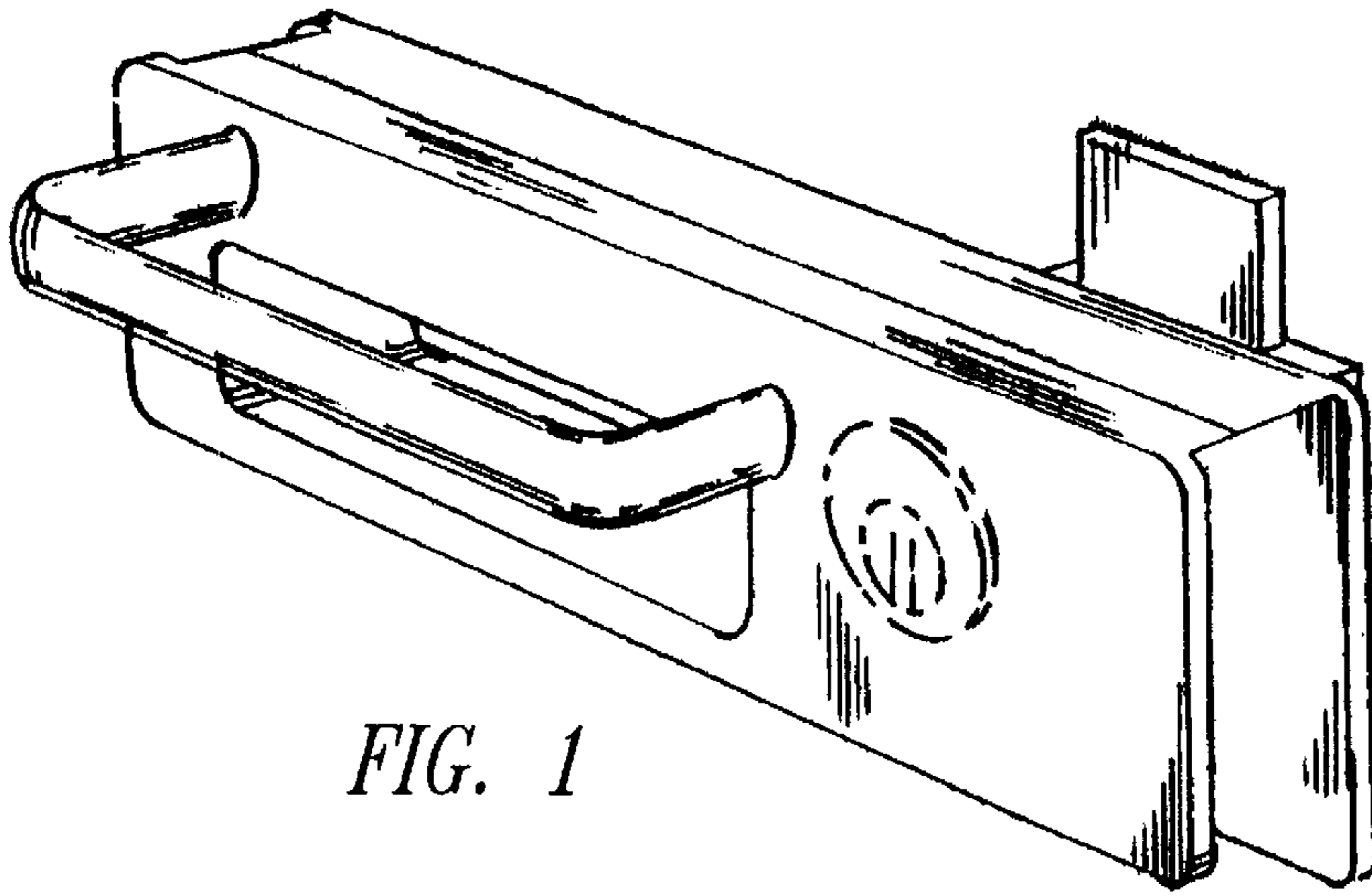


FIG. 1

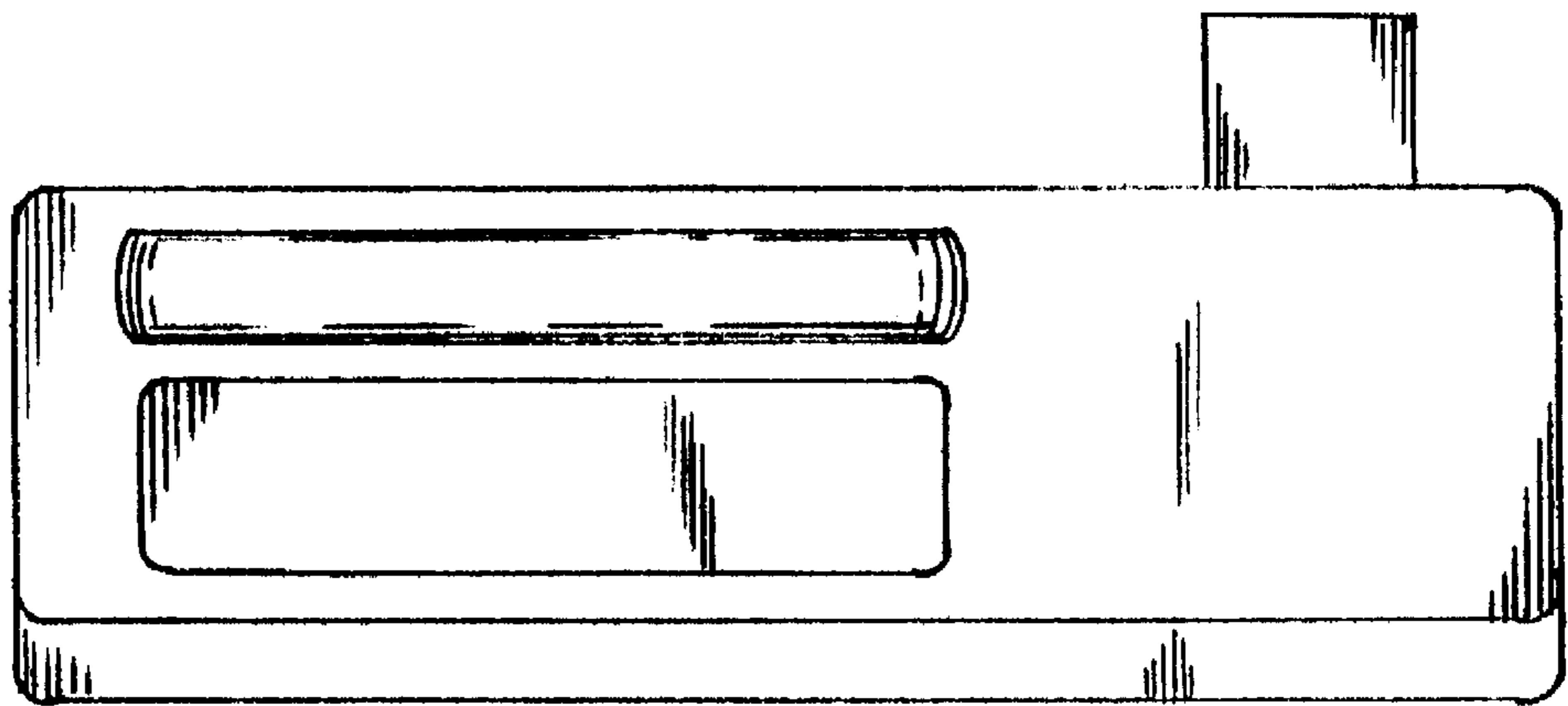


FIG. 2

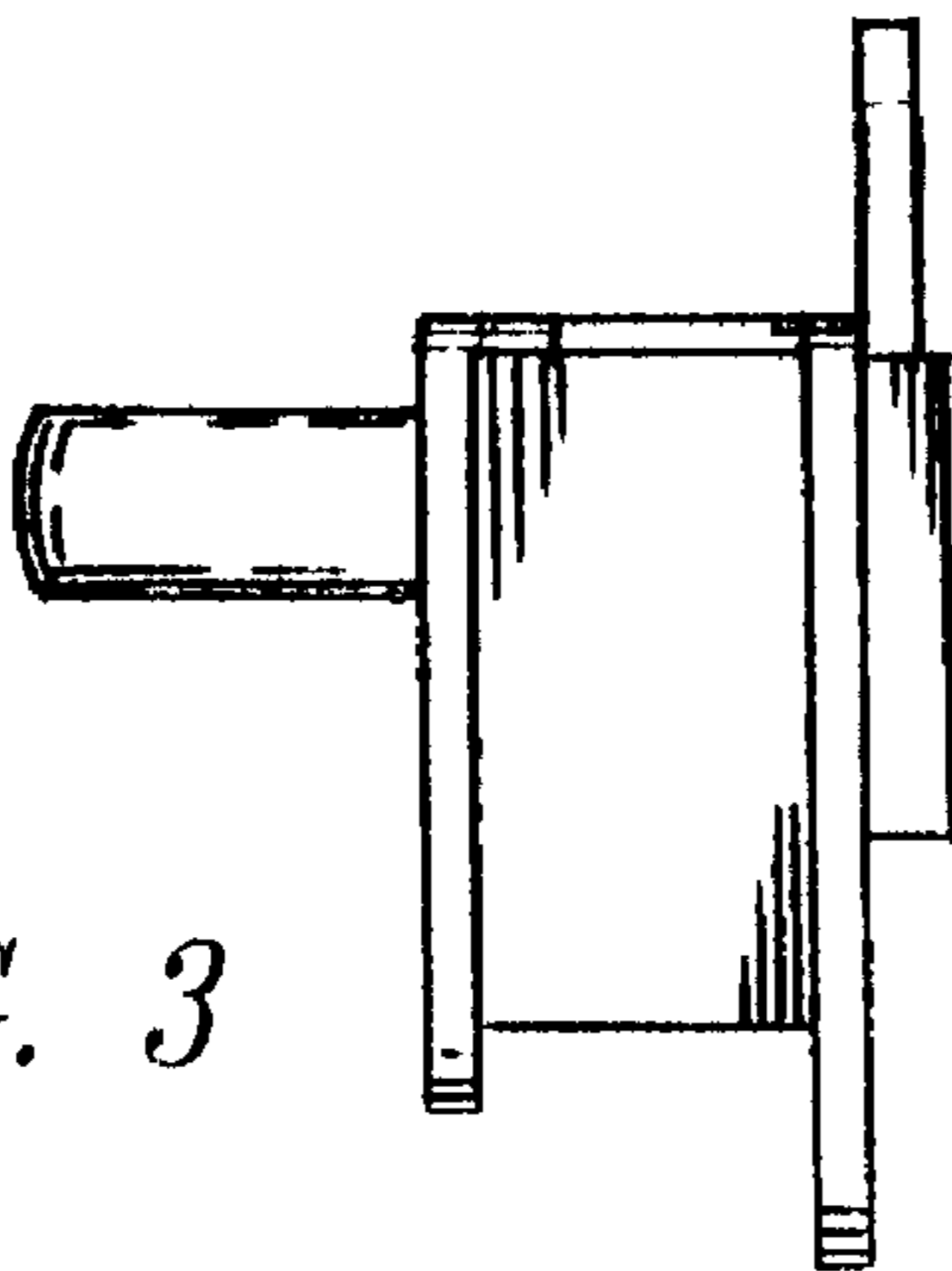


FIG. 3

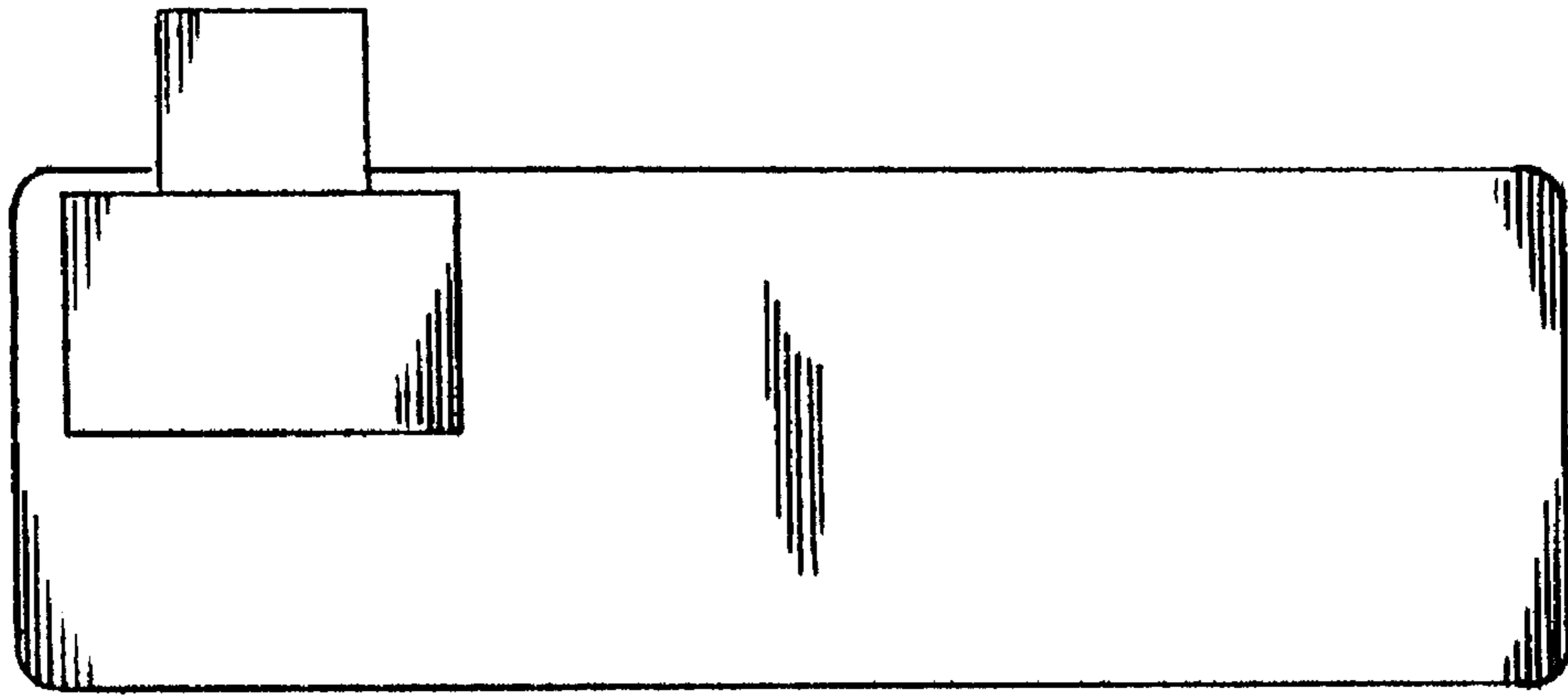


FIG. 4

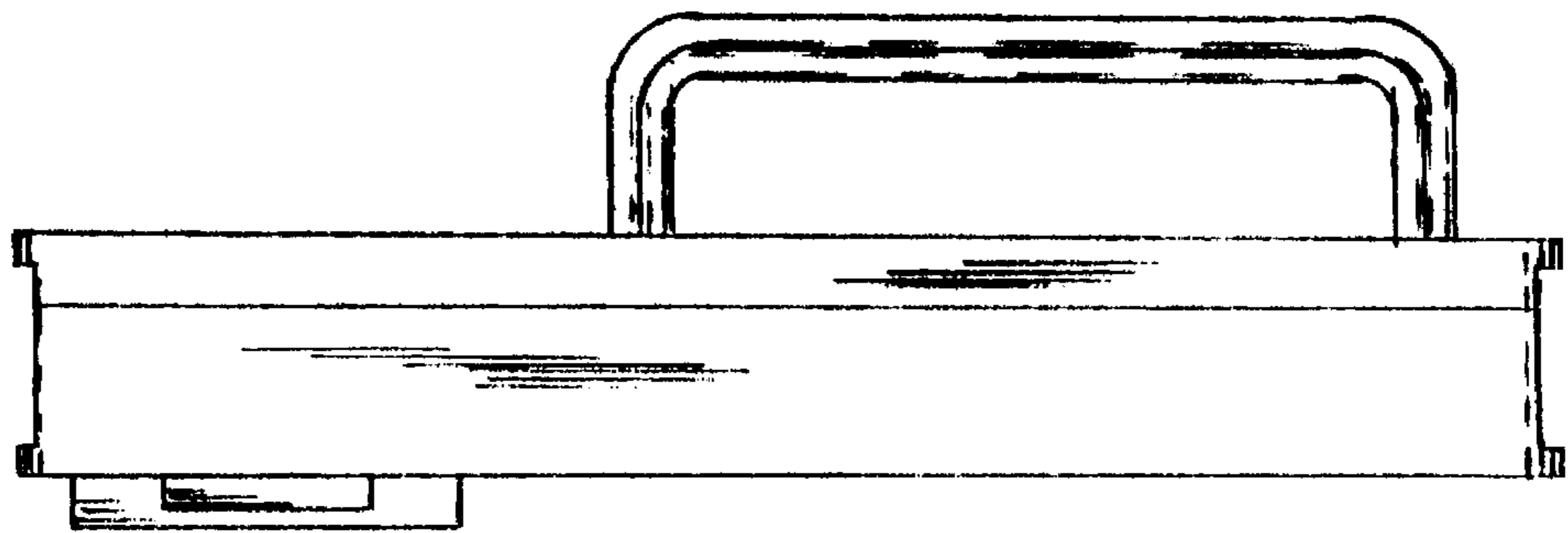


FIG. 5

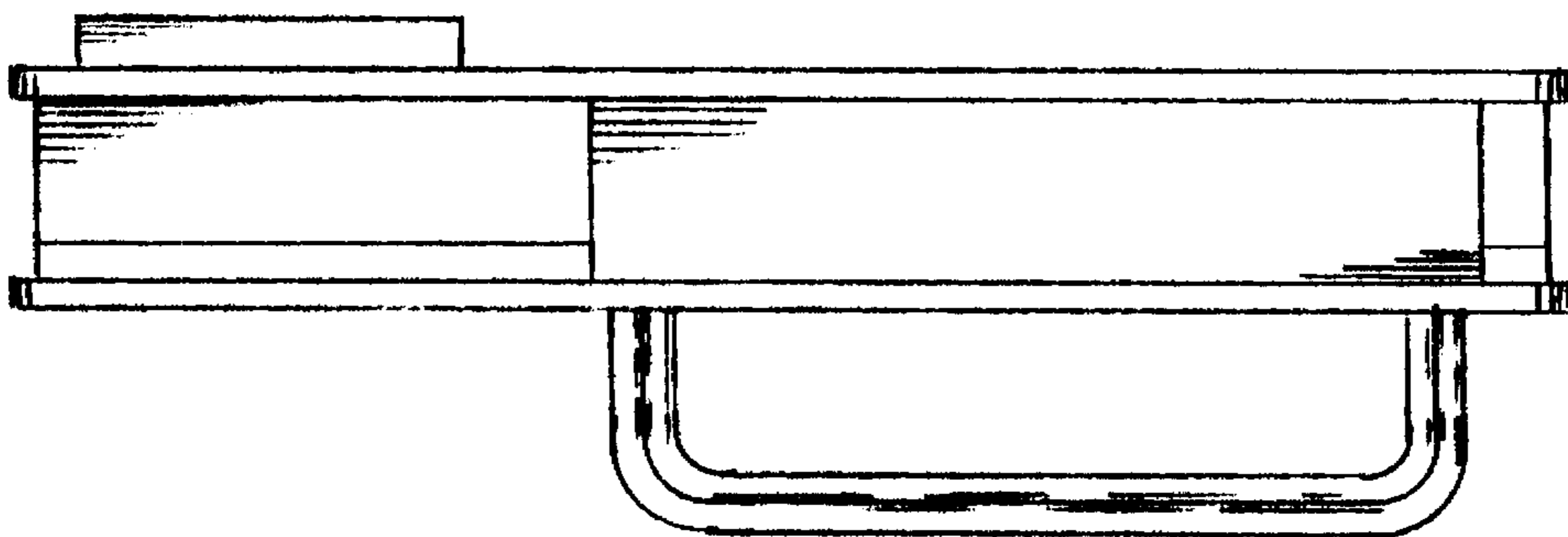


FIG. 6