



US00D469325S

(12) **United States Design Patent**
Carroll

(10) **Patent No.:** **US D469,325 S**

(45) **Date of Patent:** **** Jan. 28, 2003**

(54) **DRILL CHUCK ATTACHMENT FOR USE WITH EXTENDABLE SPLINE-DRIVE SOCKET ASSEMBLY**

D312,760 S * 12/1990 Colvin D8/29
5,651,647 A * 7/1997 Ray 279/14
D404,988 S * 2/1999 Long D8/70
D416,461 S * 11/1999 Long D8/70
D427,216 S * 6/2000 Miles et al. D15/140

(76) **Inventor:** **Sean M. Carroll**, 1145 El Camino Real #2, Burlingame, CA (US) 94010

* cited by examiner

(**) **Term:** **14 Years**

Primary Examiner—Doris V. Coles

Assistant Examiner—Elizabeth A. Albert

(21) **Appl. No.:** **29/160,447**

(74) *Attorney, Agent, or Firm*—Gregory Smith & Associates; Carol D. Titus

(22) **Filed:** **May 9, 2002**

Related U.S. Application Data

(57) **CLAIM**

(63) Continuation-in-part of application No. 29/155,019, filed on Feb. 1, 2002, which is a continuation-in-part of application No. 29/136,362, filed on Jan. 29, 2001, now Pat. No. Des. 459,961, which is a continuation of application No. 09/185,235, filed on Nov. 3, 1998, now abandoned.

The ornamental design for a drill chuck attachment for use with extendable spline-drive socket assembly, as shown and described.

DESCRIPTION

(51) **LOC (7) Cl.** **08-01**

FIG. 1 is a top perspective view of the drill chuck attachment for use with extendable spline-drive socket assembly;

(52) **U.S. Cl.** **D8/70**

FIG. 2 is a bottom perspective view thereof;

(58) **Field of Search** D8/29, 70; D15/138,

FIG. 3 is a left side view thereof, the right side view being a mirror image thereof;

D15/140; 81/57.14, 124.4, 128; 279/60,

FIG. 4 is a front end view thereof; and,

61, 62, 63, 64, 136, 157, 902; 408/239 A,

FIG. 5 is a back end view thereof.

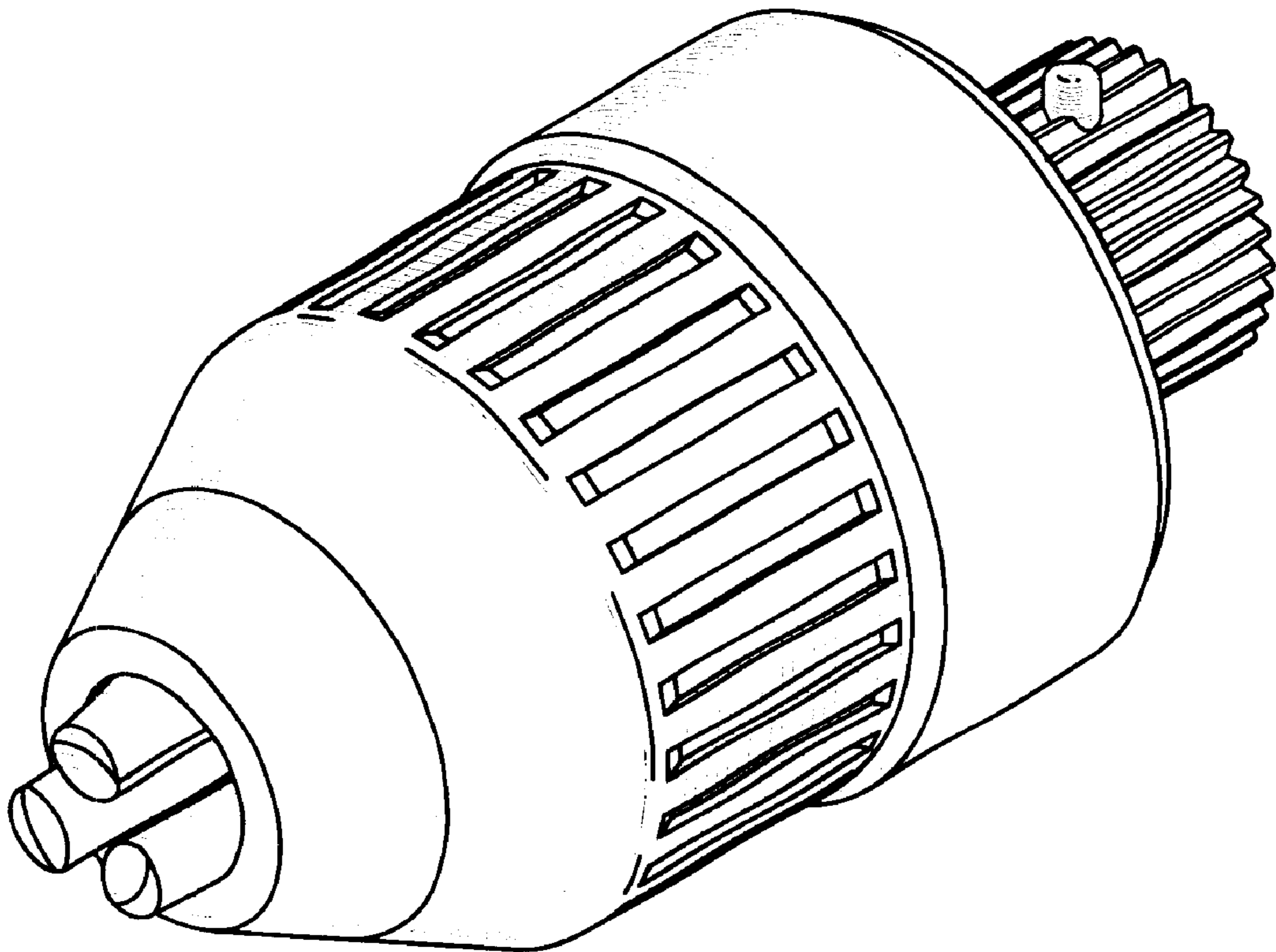
240, 704, 705, 706, 707, 708

(56) **References Cited**

U.S. PATENT DOCUMENTS

4,608,887 A * 9/1986 Colvin 279/64

1 Claim, 1 Drawing Sheet



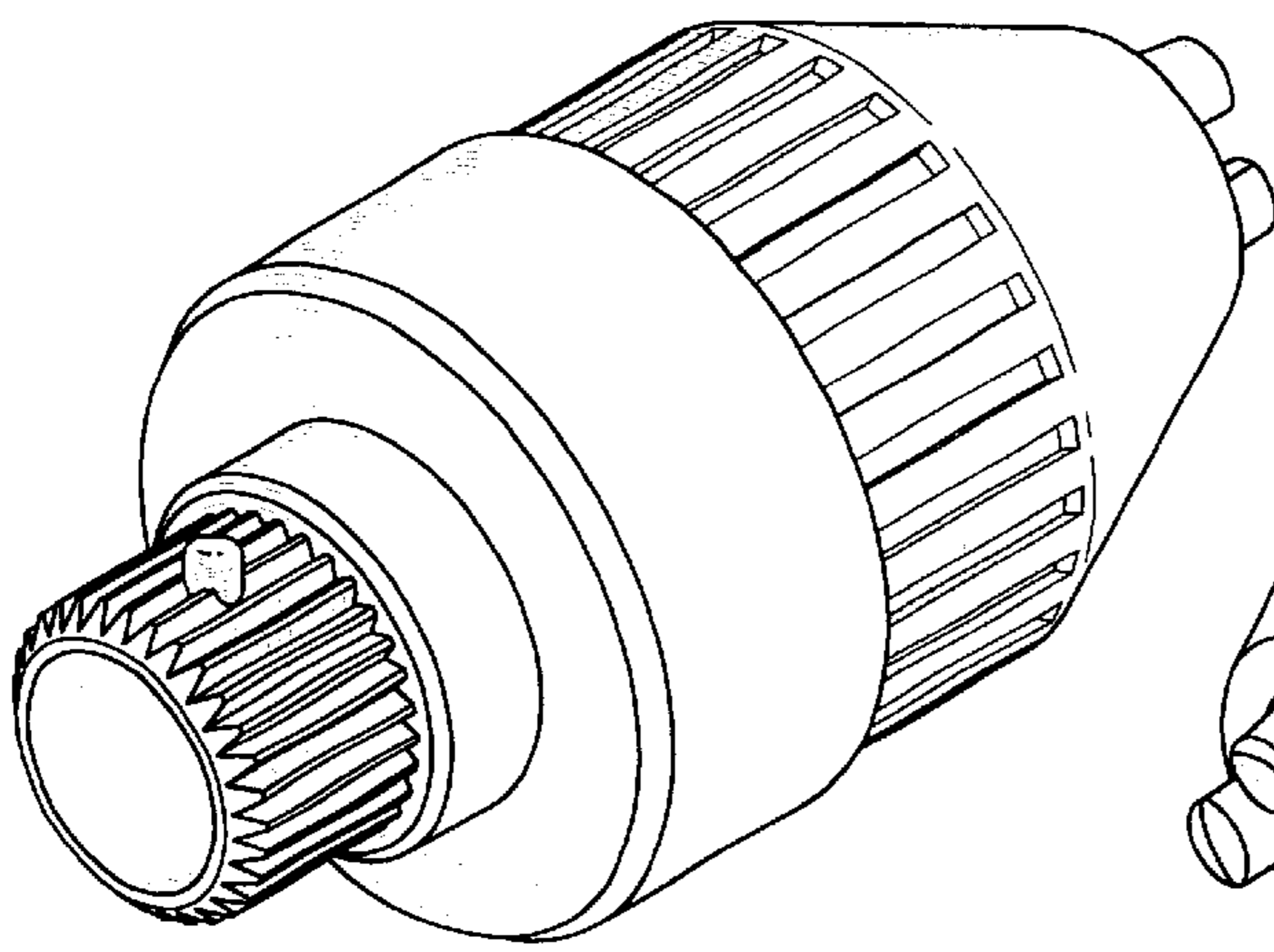


figure 1

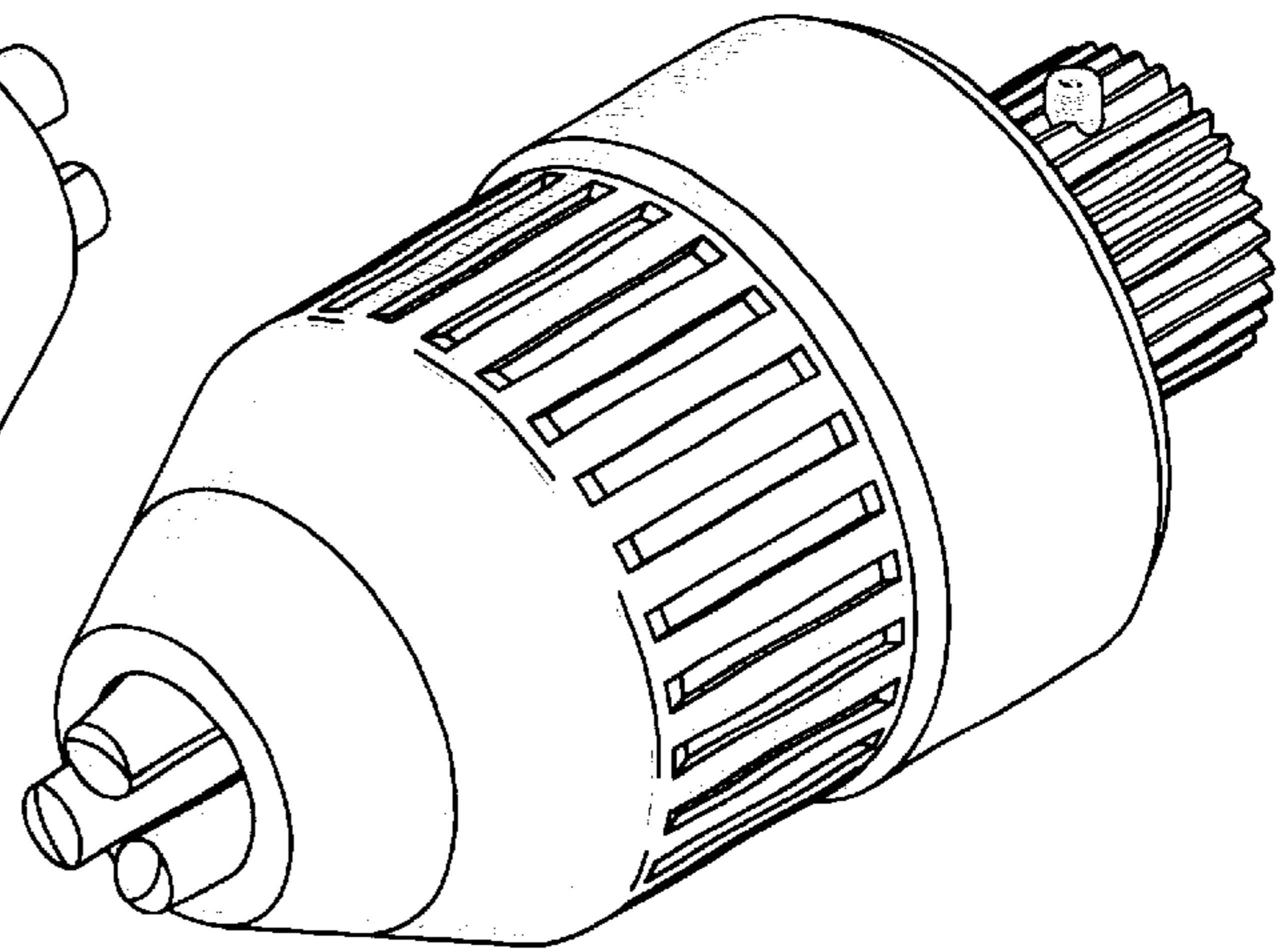


figure 2

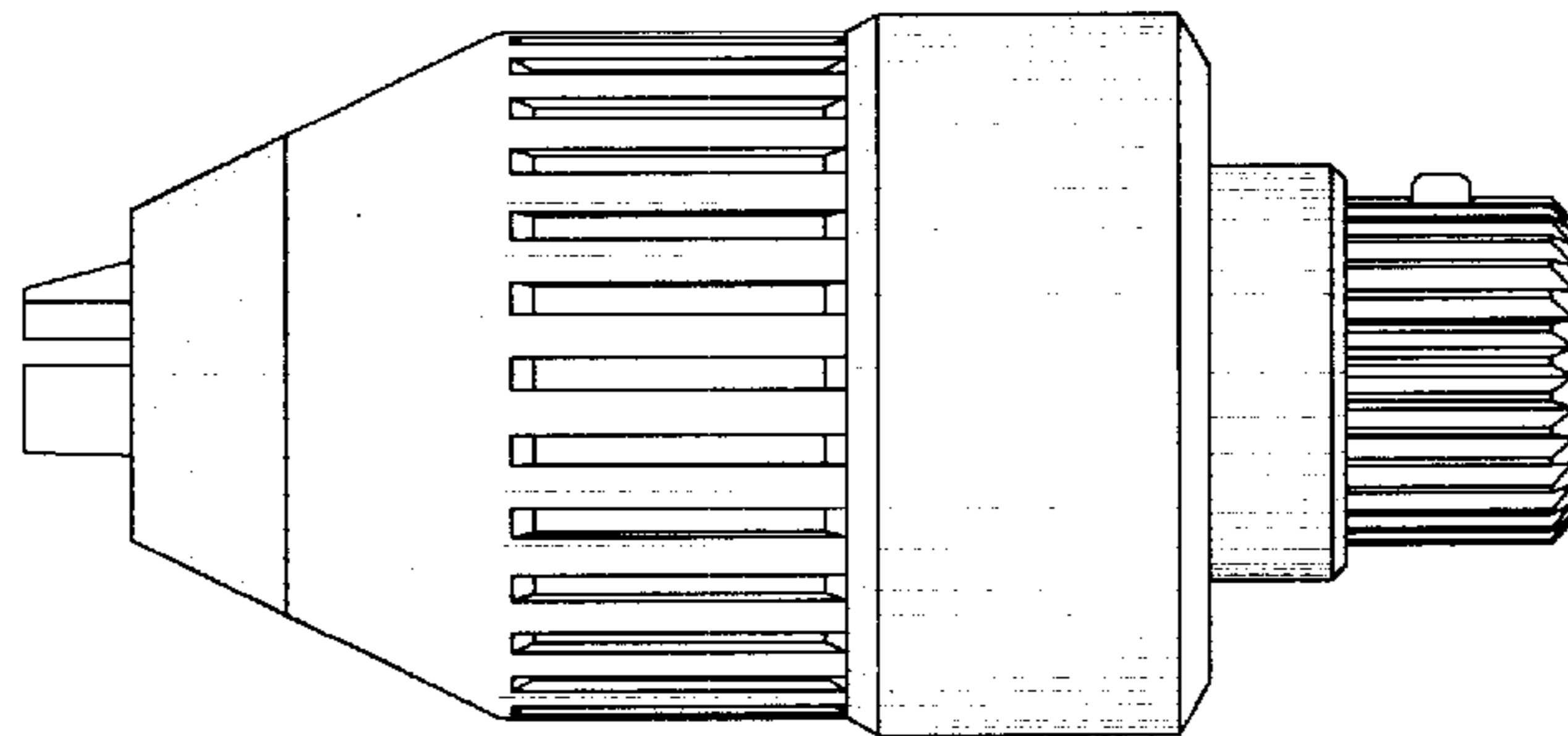


figure 3

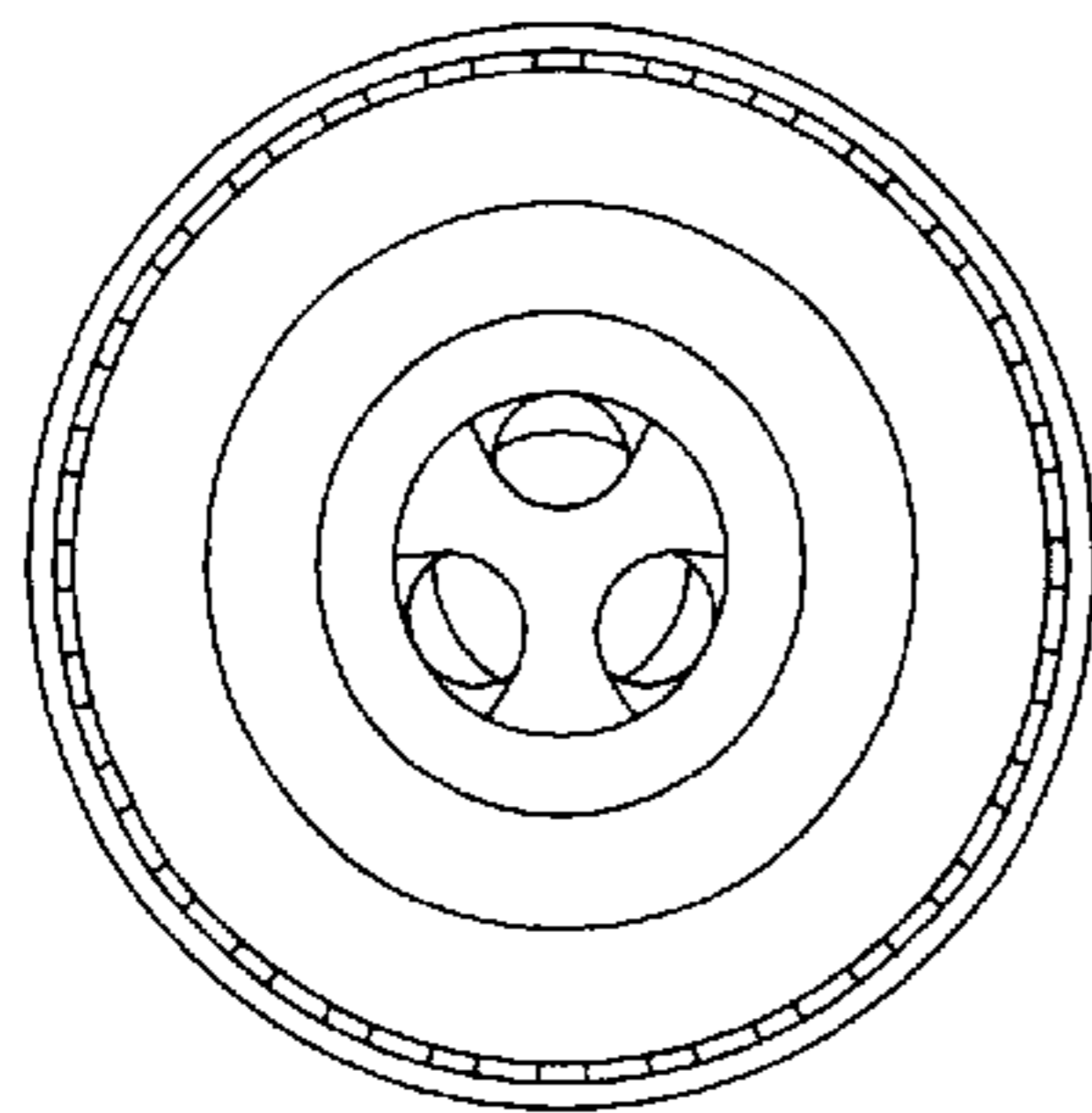


figure 4

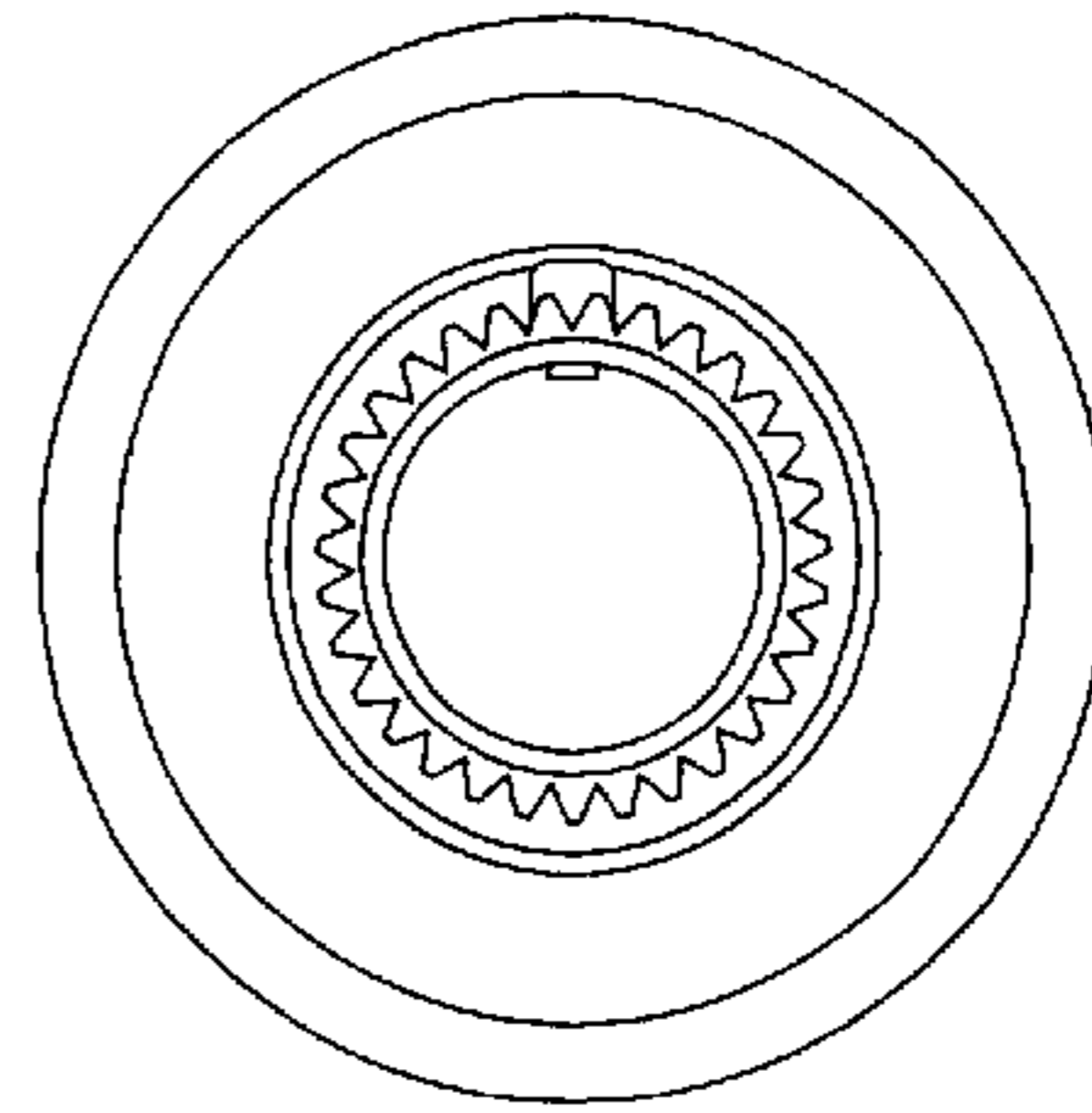


figure 5