



US00D469324S

(12) **United States Design Patent**
Heun

(10) **Patent No.:** **US D469,324 S**

(45) **Date of Patent:** **** Jan. 28, 2003**

(54) **ELECTRIC DRIVER FOR SCREW OR THE LIKE**

(75) **Inventor:** **Ping Hay Heun, Aberdeen (HK)**

(73) **Assignee:** **Choon Nang Electrical Appliance Mfy., Ltd., Aberdeen (HK)**

(**) **Term:** **14 Years**

(21) **Appl. No.:** **29/158,332**

(22) **Filed:** **Apr. 4, 2002**

(30) **Foreign Application Priority Data**

Jan. 31, 2002 (GB) 3001156

(51) **LOC (7) Cl.** **08-04**

(52) **U.S. Cl.** **D8/68**

(58) **Field of Search** D8/61, 62, 63, D8/64, 65, 66, 67, 68, 69, 70; 81/57.11, 429, 464, 465, 466, 469, 489; 173/13, 169, 178, 213, 217; 227/8, 114, 120, 130, 136, 142; 310/50; 408/20, 124, 125, 234, 241 R; 451/358

(56) **References Cited**

U.S. PATENT DOCUMENTS

- D382,457 S * 8/1997 Ghode et al. D8/68
- D396,177 S * 7/1998 Schultz D8/68
- D414,667 S * 10/1999 Lee D8/68
- D426,126 S * 6/2000 Schultz D8/61

- D429,134 S * 8/2000 Schultz et al. D8/61
- 6,152,639 A * 11/2000 Hsu 408/241 R
- D459,178 S * 6/2002 Heun D8/68
- D460,673 S * 7/2002 Heun D8/68
- D460,674 S * 7/2002 Heun D8/68

* cited by examiner

Primary Examiner—Doris V. Coles

Assistant Examiner—T. Chase Nelson

(74) *Attorney, Agent, or Firm*—Leydig, Voit & Mayer, Ltd.

(57) **CLAIM**

The ornamental design for an electric driver for screw or the like, as shown and described.

DESCRIPTION

FIG. 1 is a left side and front end perspective view of an electric driver for screw or the like showing my new design; FIG. 2 is a left side, rear end and top perspective view thereof;

FIG. 3 is a left side elevational view thereof;

FIG. 4 is a right side elevational view thereof;

FIG. 5 is a front end elevational view thereof;

FIG. 6 is a rear end elevational view thereof;

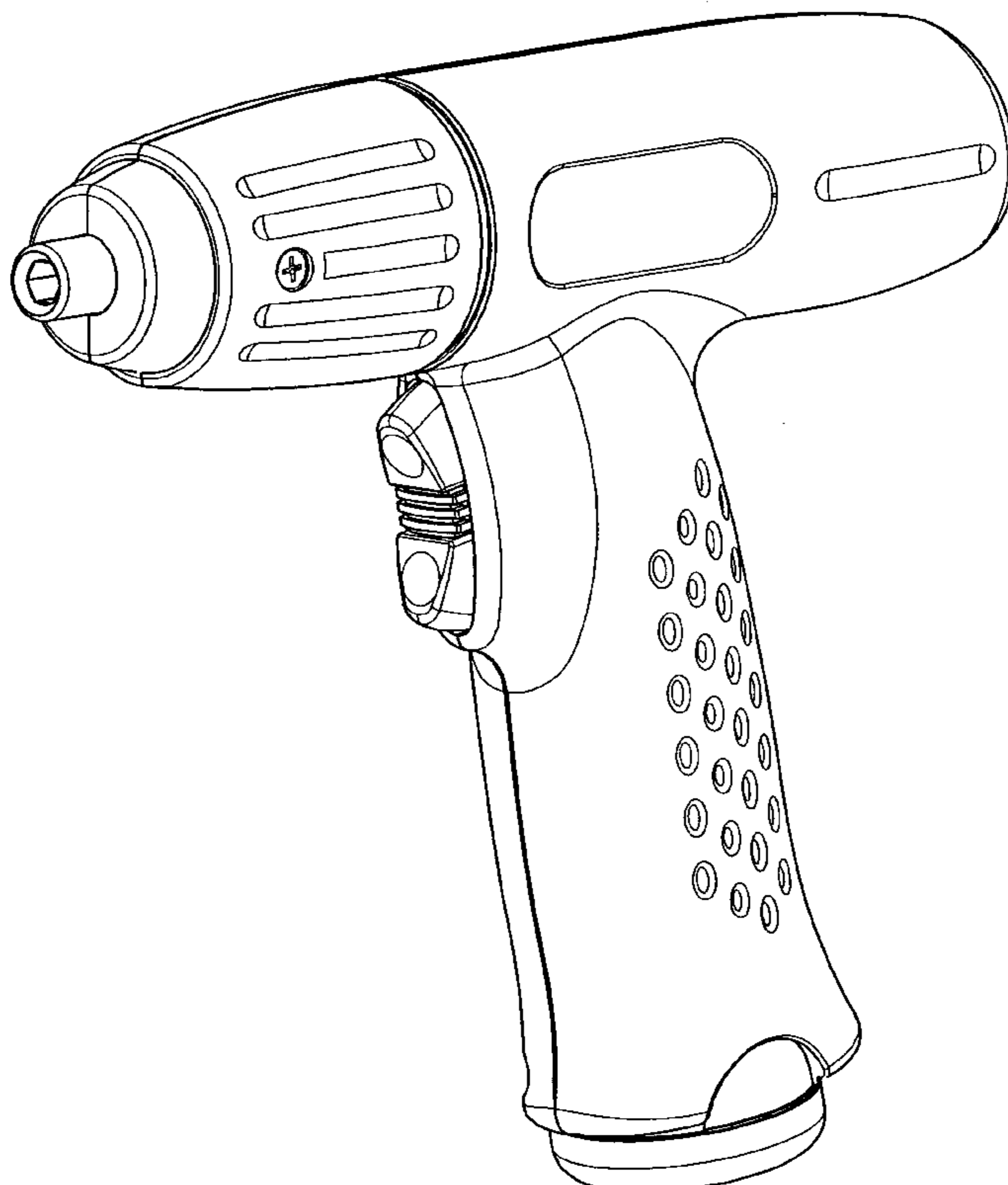
FIG. 7 is a top plan view thereof;

FIG. 8 is a bottom plan view thereof;

FIG. 9 is a left side and front end perspective view of the article with a part thereof opened; and,

FIG. 10 is a left side, rear end and top perspective view of the article with a part thereof opened.

1 Claim, 10 Drawing Sheets



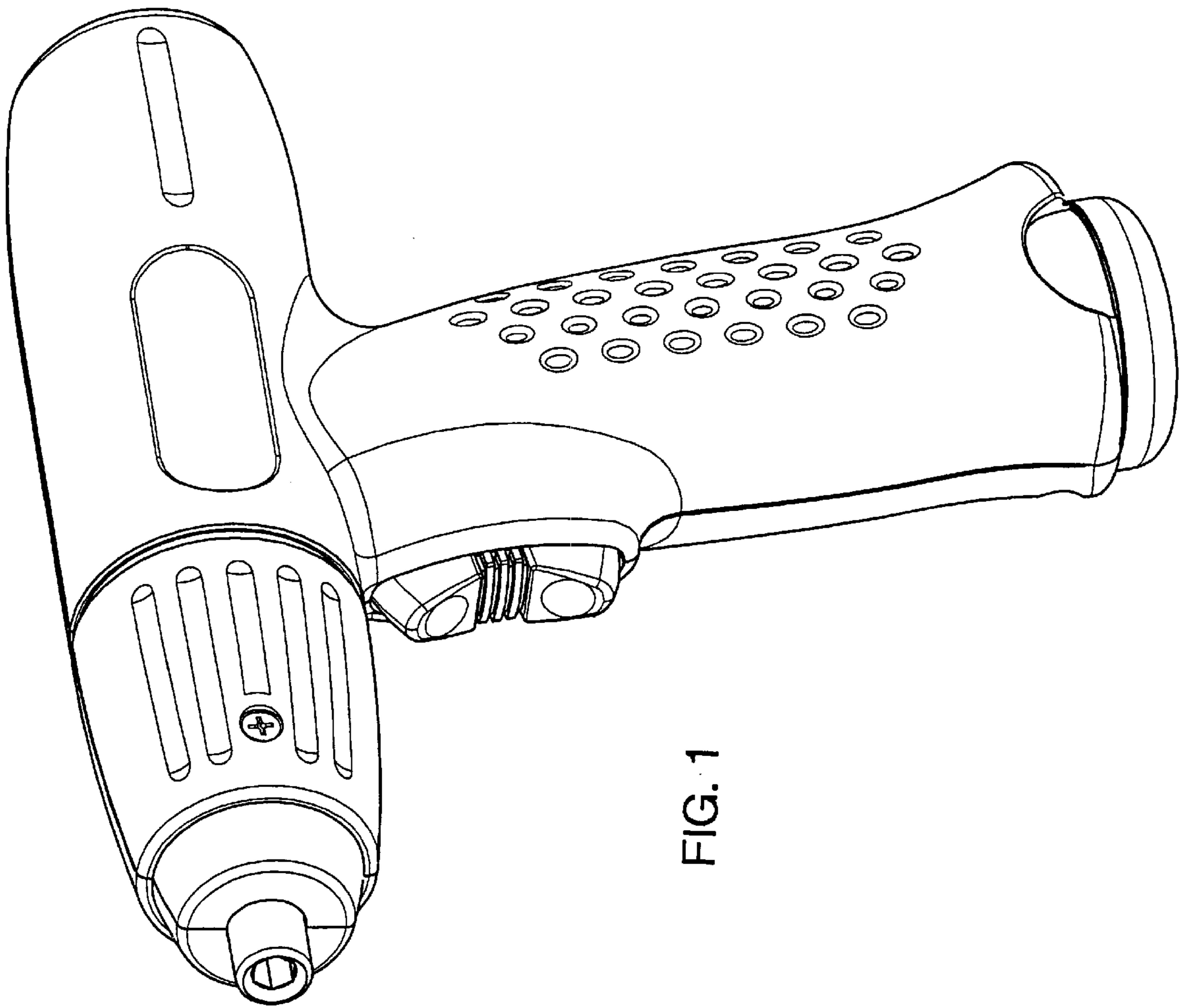


FIG. 1

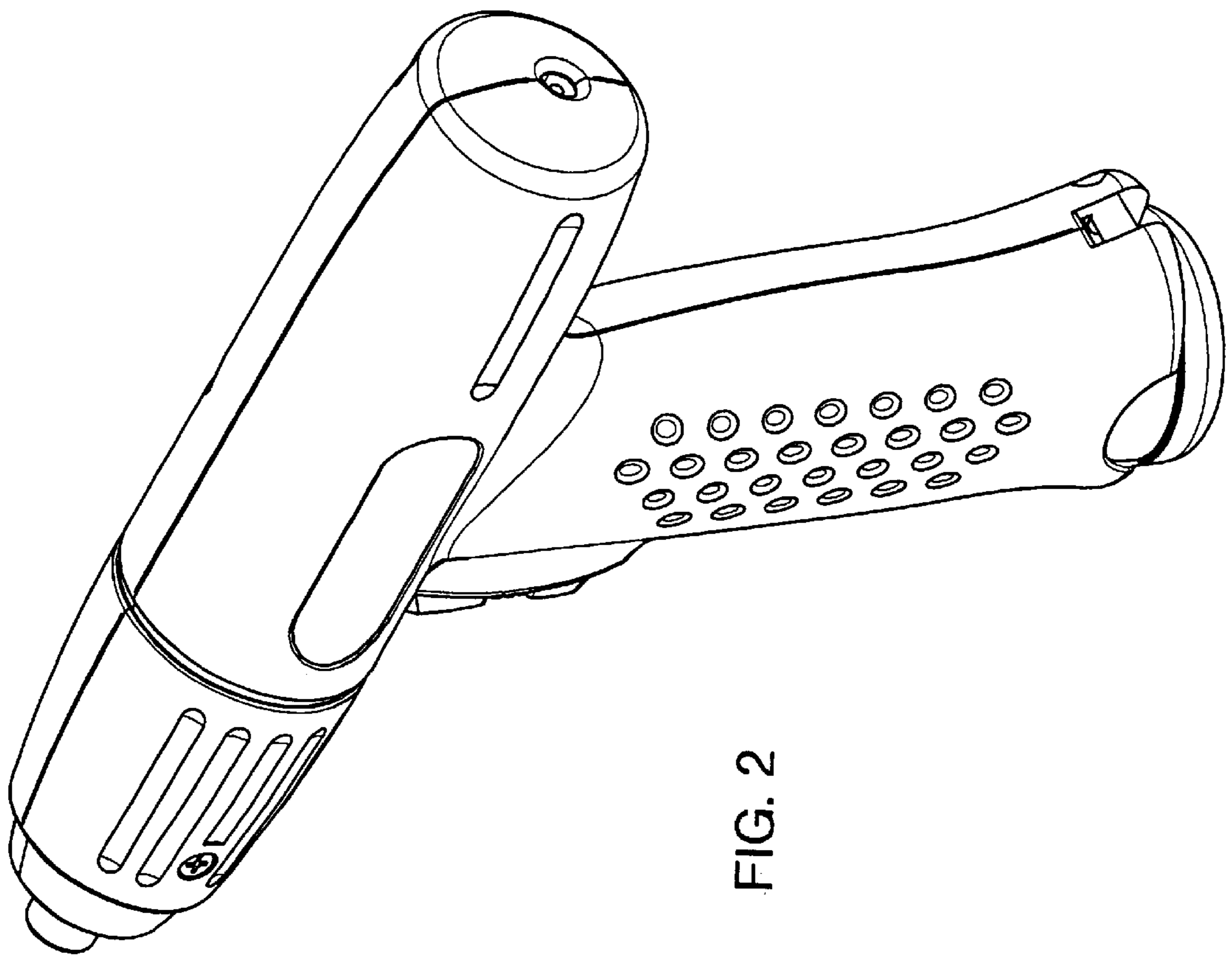


FIG. 2

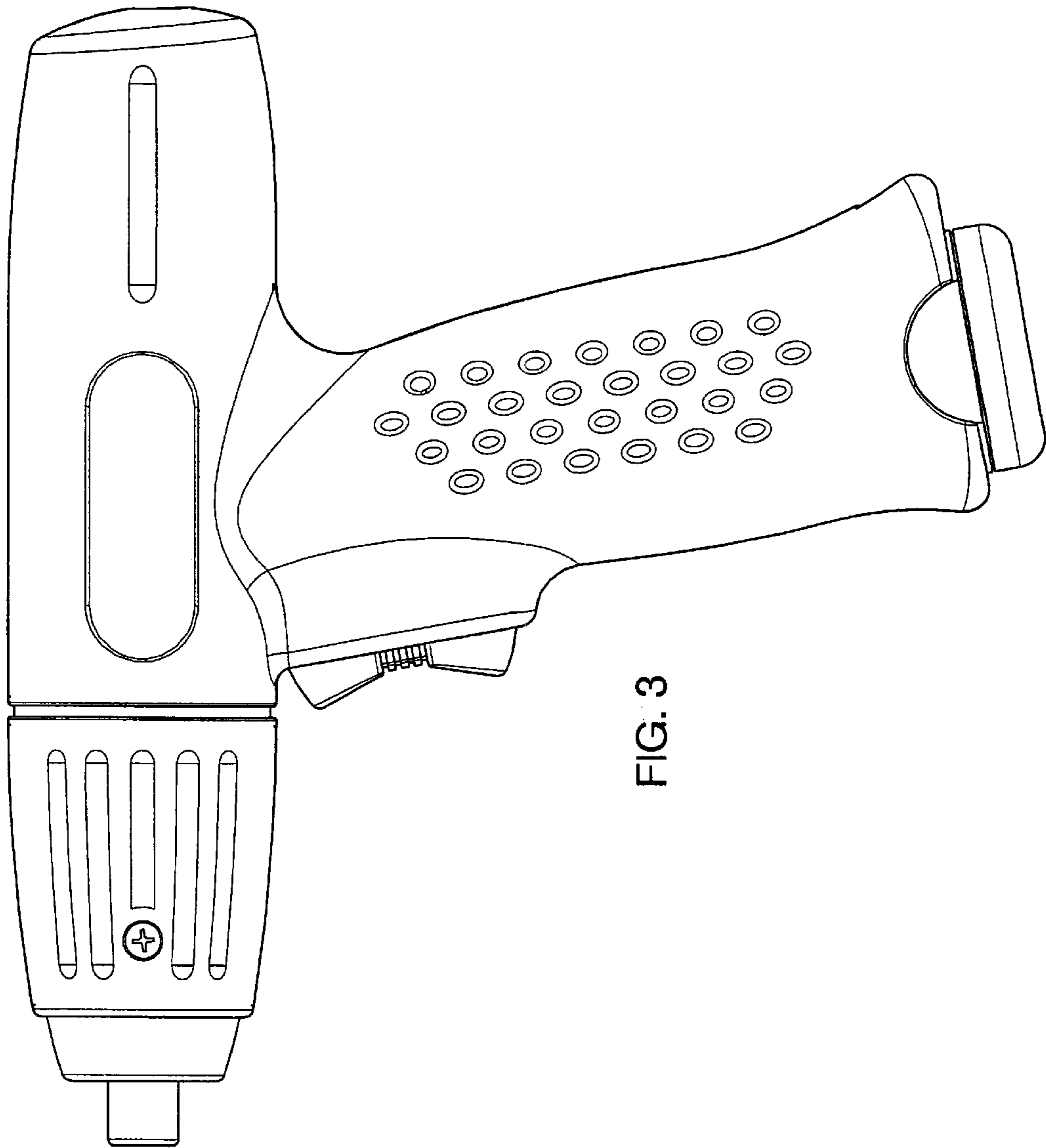


FIG. 3

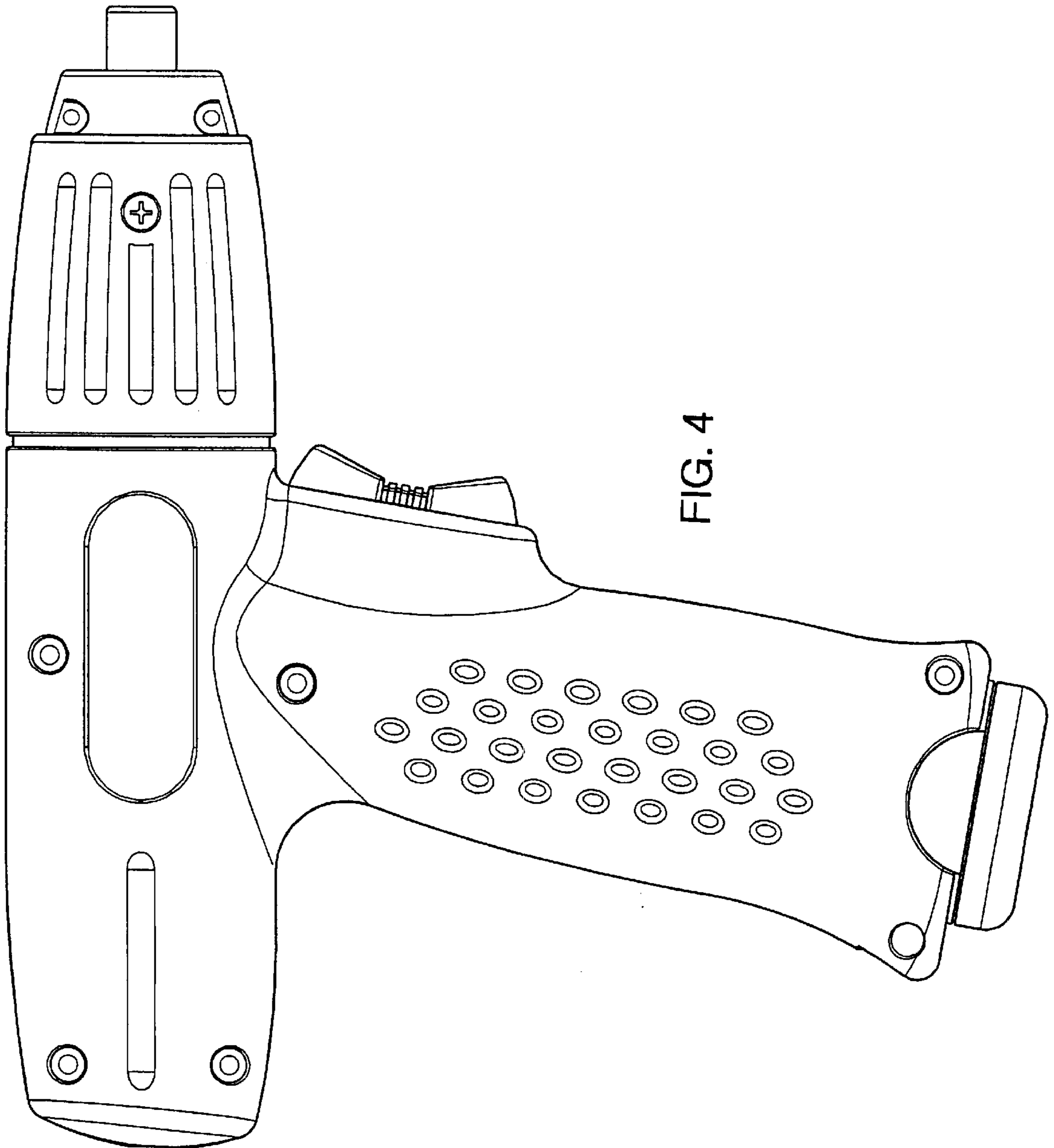


FIG. 4

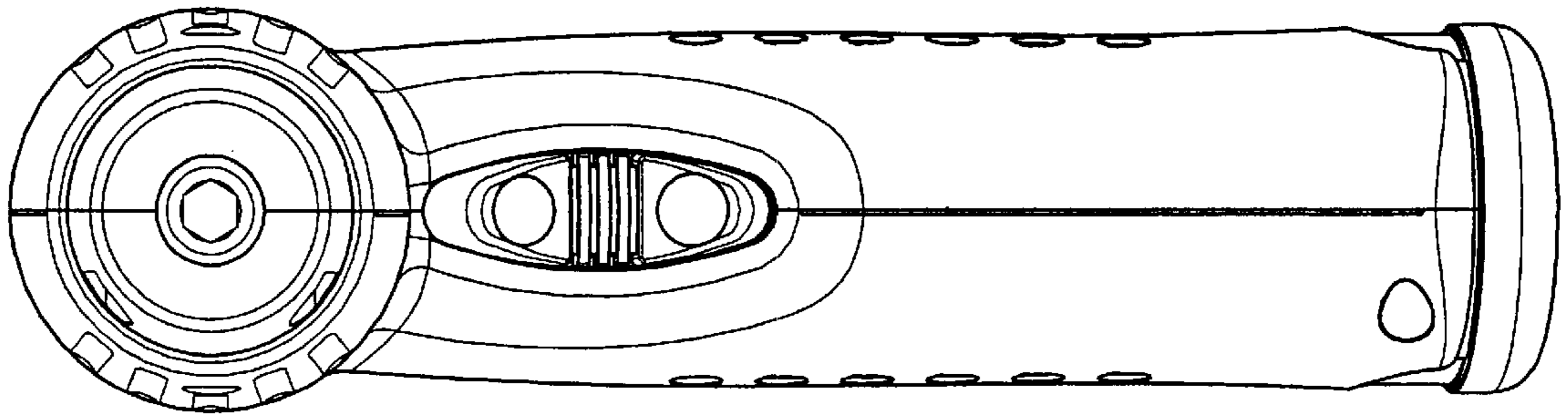


FIG. 5

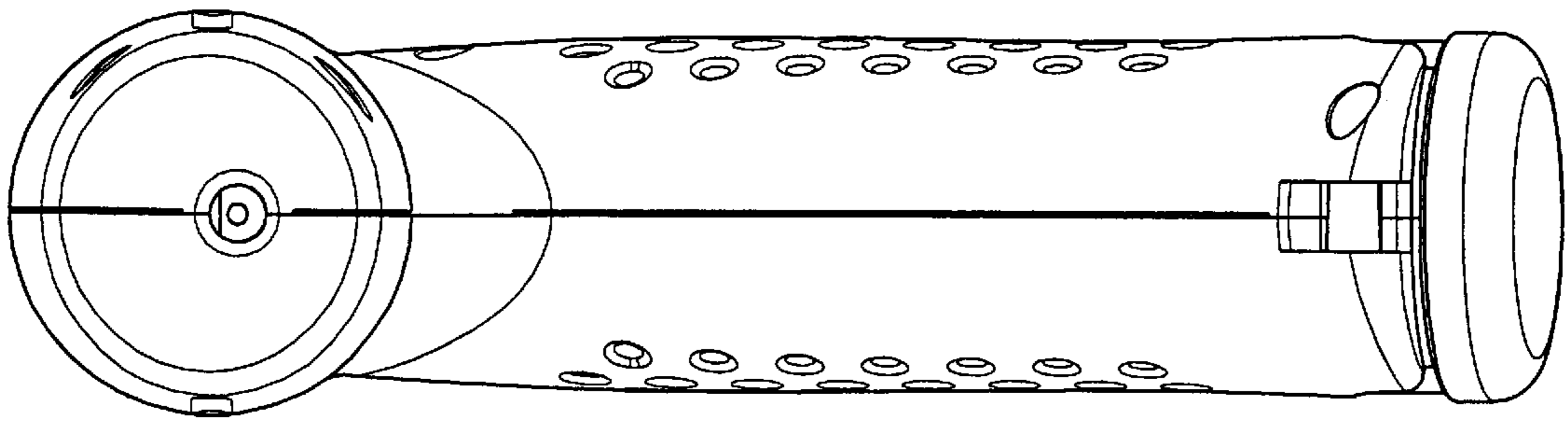


FIG. 6

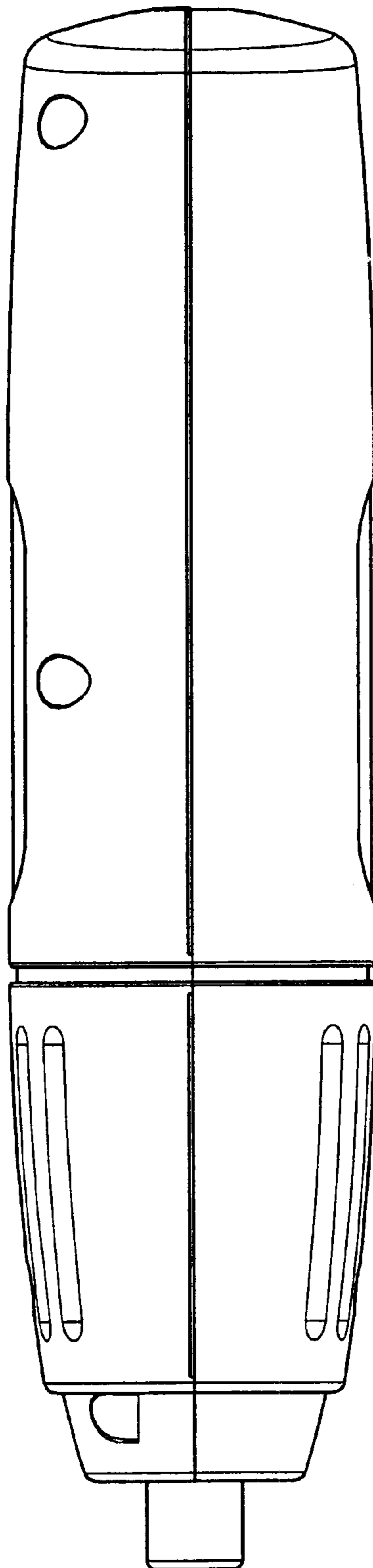


FIG. 7

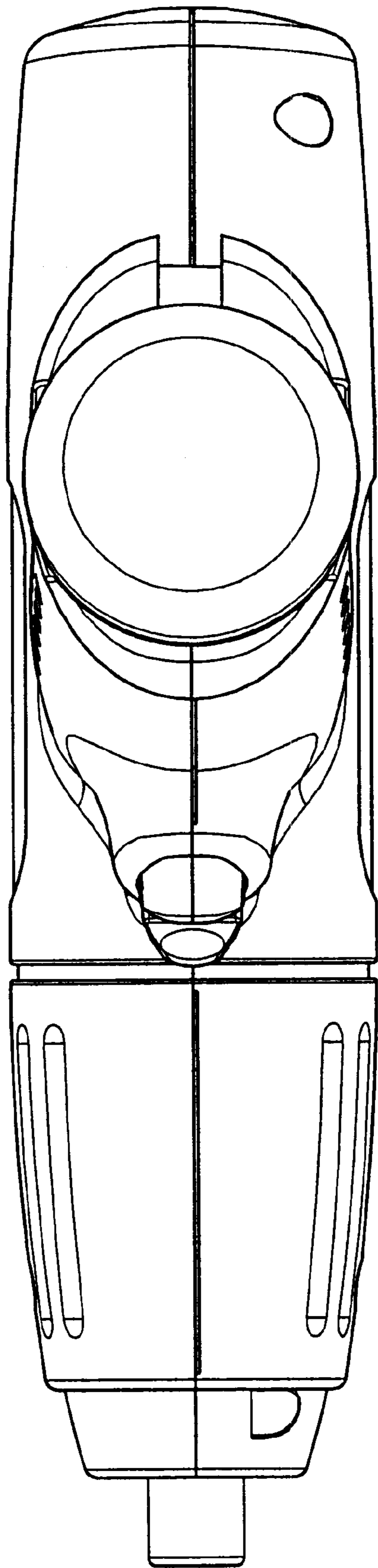
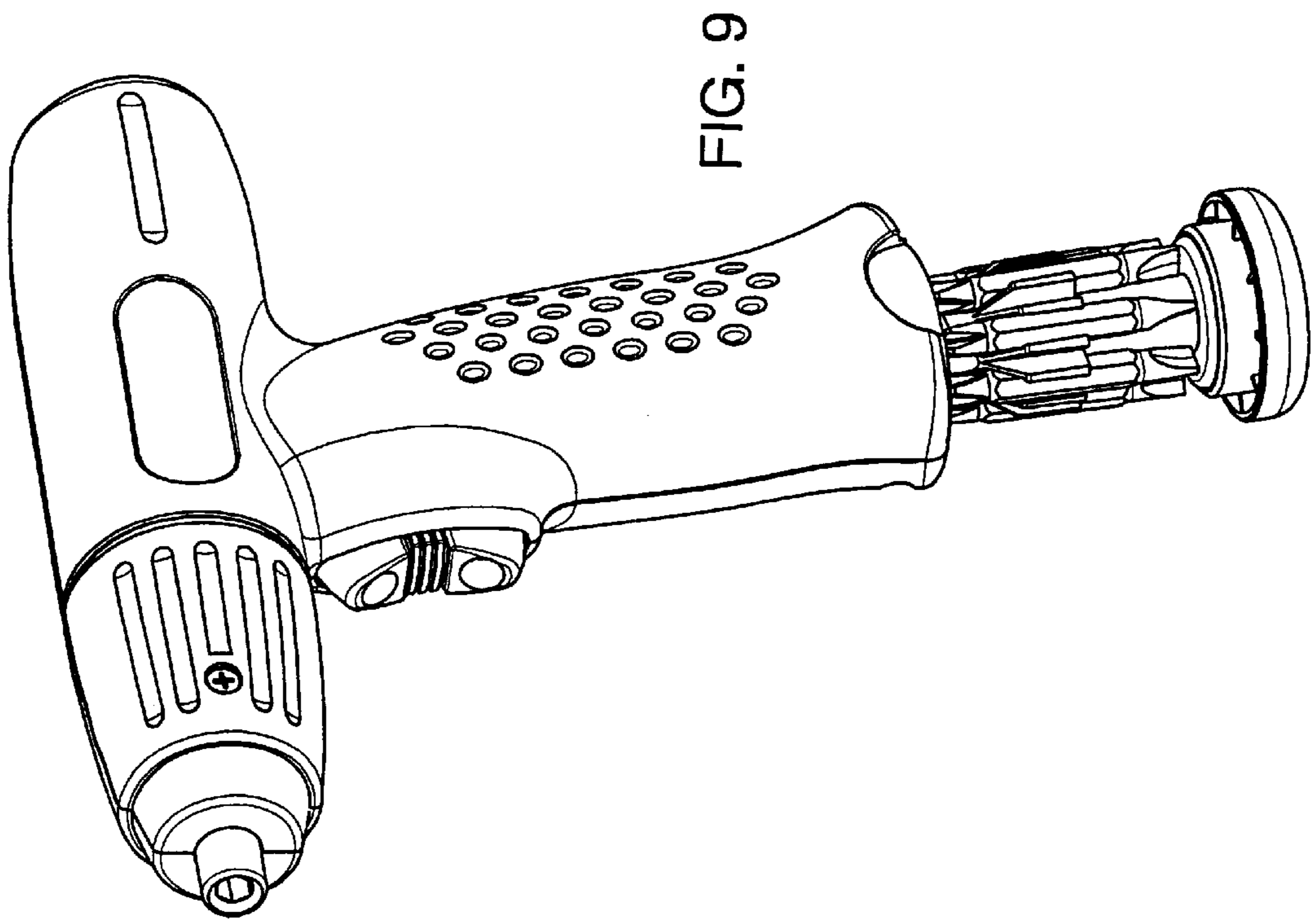


FIG. 8



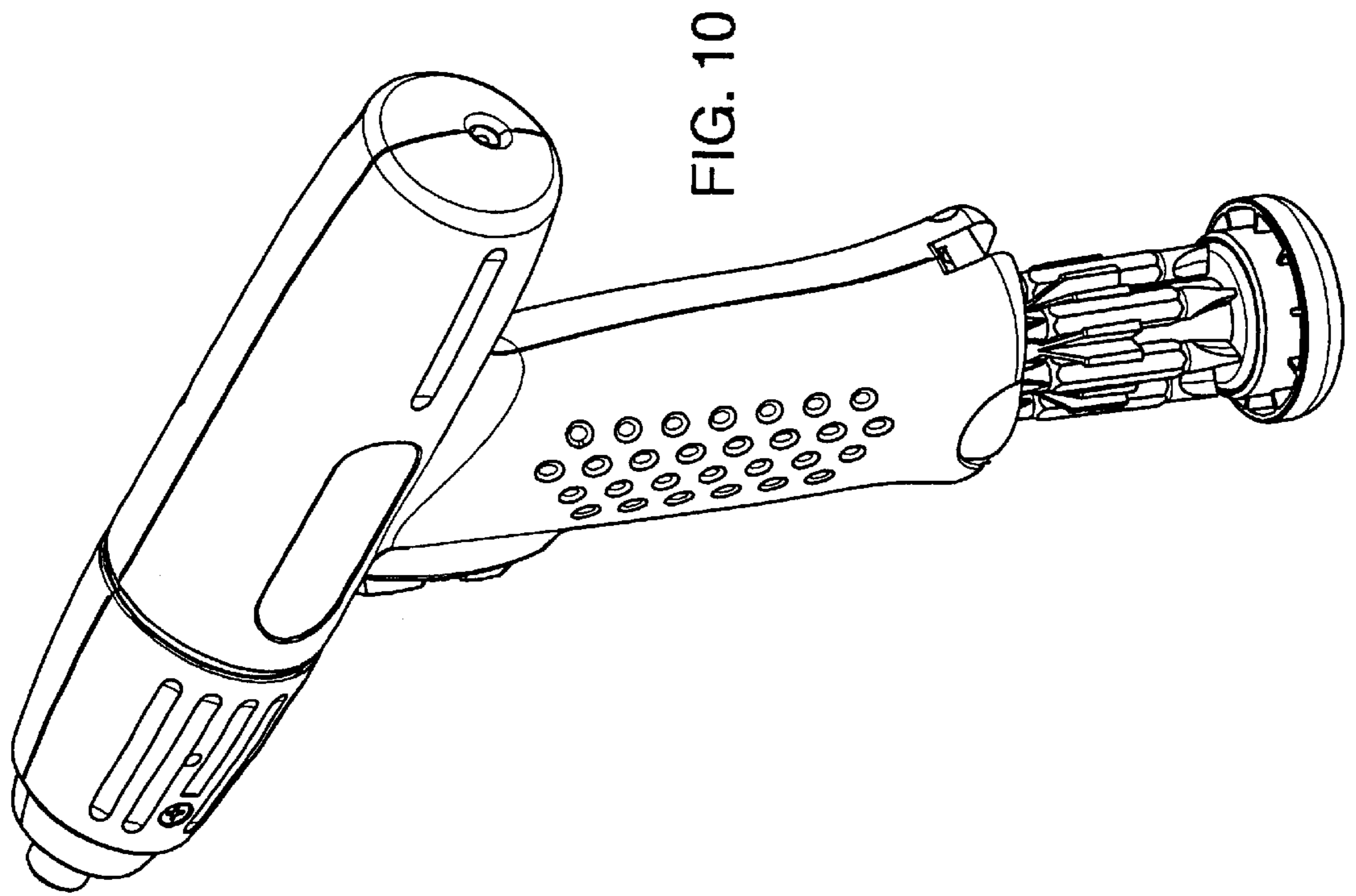


FIG. 10