



US00D469320S

(12) **United States Design Patent**
Pettaweebuncha

(10) **Patent No.:** **US D469,320 S**

(45) **Date of Patent:** **** Jan. 28, 2003**

(54) **FOOD CONTAINER**

(75) Inventor: **Touchapol Pettaweebuncha**, Bangkok (TH)

(73) Assignee: **Pastina Co., Ltd.**, Bangkok (TH)

(**) Term: **14 Years**

(21) Appl. No.: **29/152,714**

(22) Filed: **Dec. 31, 2001**

(51) **LOC (7) Cl.** **07-07**

(52) **U.S. Cl.** **D7/629**

(58) **Field of Search** D7/601, 602, 629,
D7/538-548; D9/414, 423, 424, 430-432;
220/281, 662, 675, 780-799

(56) **References Cited**

U.S. PATENT DOCUMENTS

3,448,888	A	*	6/1969	Smith et al.	220/781
D348,377	S	*	7/1994	Douglas	D7/543
D377,739	S	*	2/1997	Carlson	D7/602
5,624,051	A	*	4/1997	Ahern et al.	220/281
D383,671	S	*	9/1997	Phillips	D7/629

D447,688 S * 9/2001 Jalet et al. D7/629

* cited by examiner

Primary Examiner—Terry A. Wallace

(74) *Attorney, Agent, or Firm*—Birch, Stewart, Kolasch & Birch, LLP

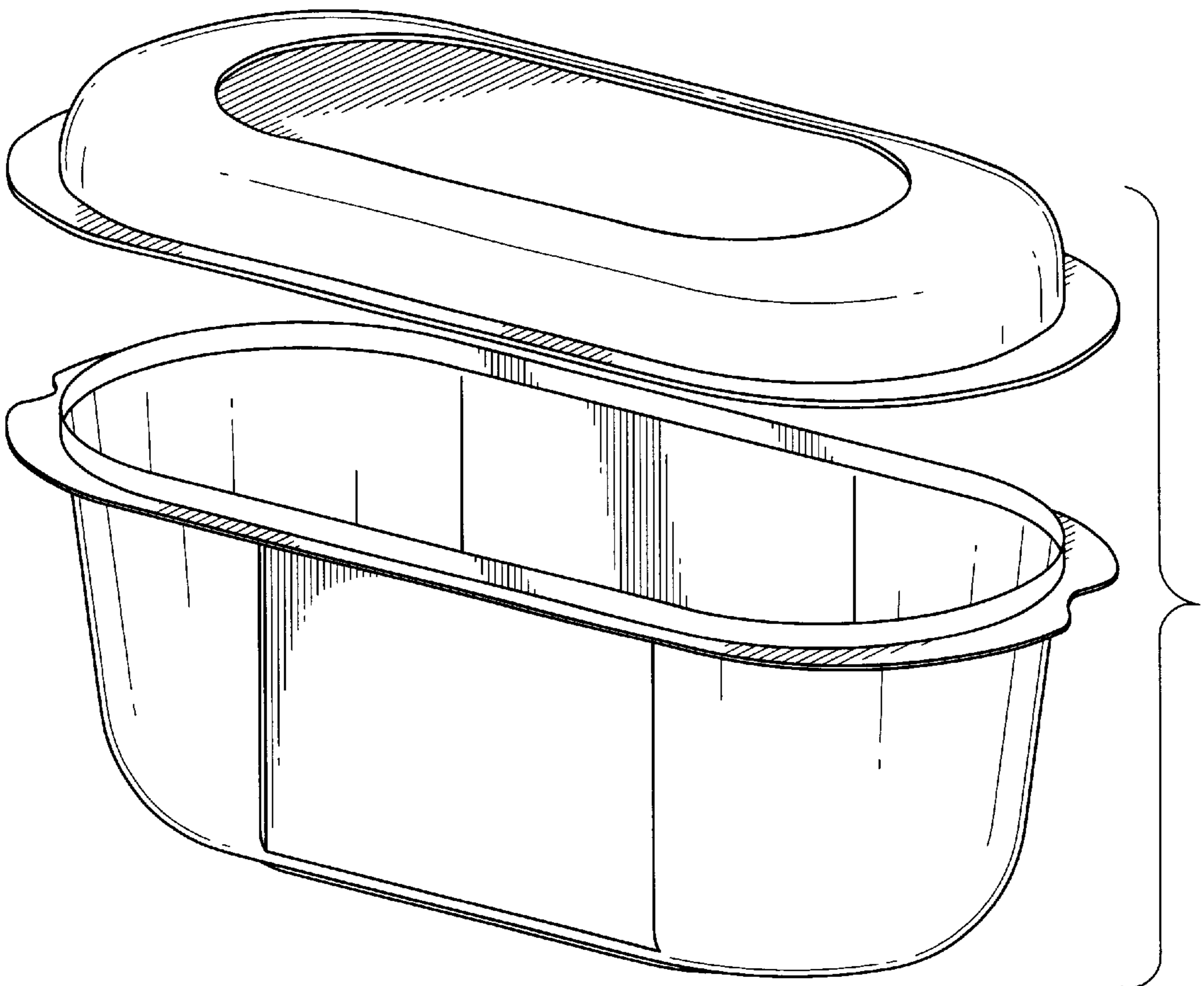
(57) **CLAIM**

The ornamental design for a food container, as shown and described.

DESCRIPTION

FIG. 1 is an exploded perspective view of a food container showing my new design;
 FIG. 2 is a perspective view thereof;
 FIG. 3 is a top plan view of the bottom portion of the food container shown separately for clarity of illustration;
 FIG. 4 is a front view of FIG. 3;
 FIG. 5 is a bottom plan view of FIG. 3;
 FIG. 6 is a side view of FIG. 3;
 FIG. 7 is a front view of the cover portion of the food container shown separately for clarity of illustration;
 FIG. 8 is a top plan view of FIG. 7;
 FIG. 9 is a bottom plan view of FIG. 7; and,
 FIG. 10 is a side view of FIG. 7.

1 Claim, 5 Drawing Sheets



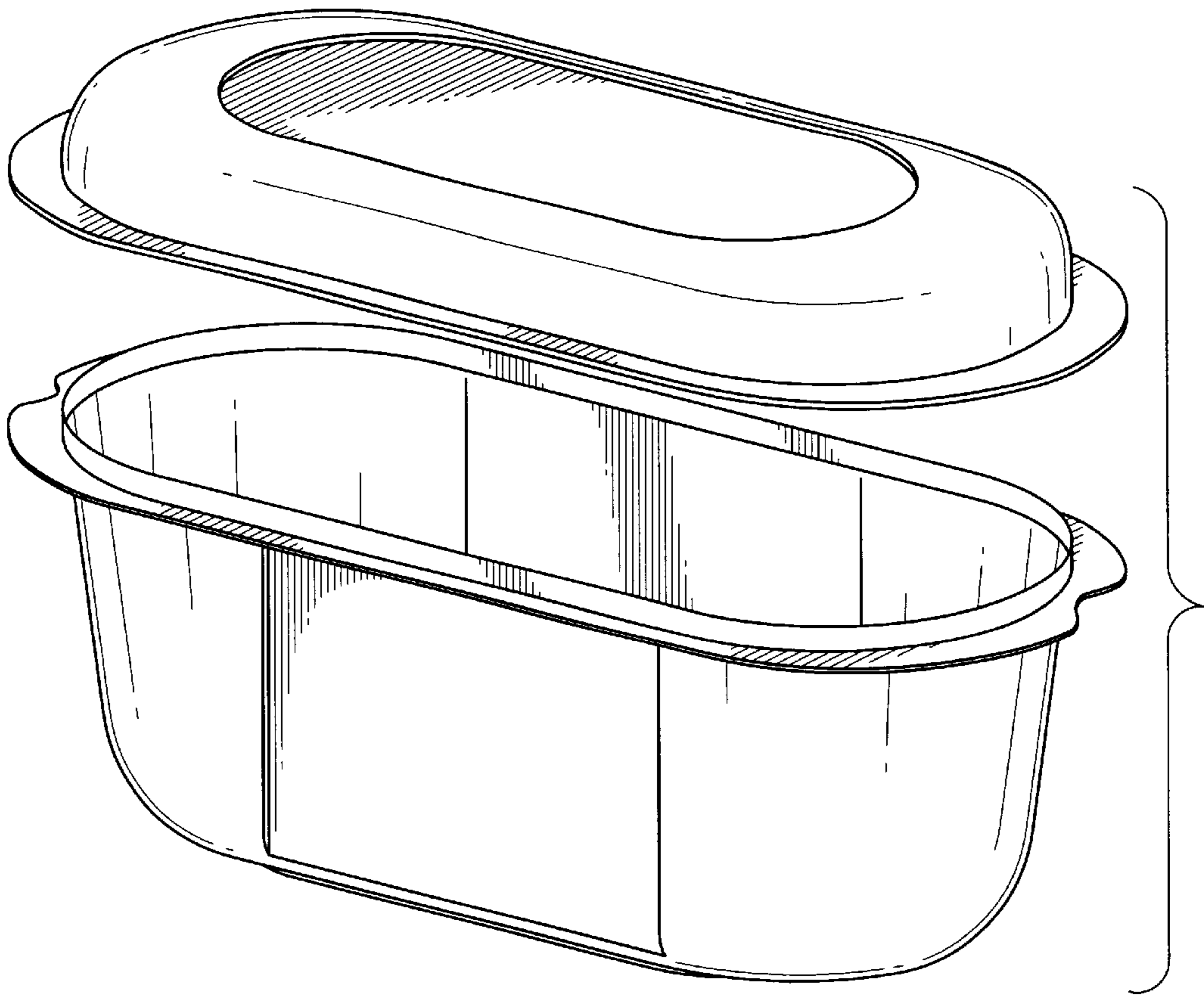


FIG. 1

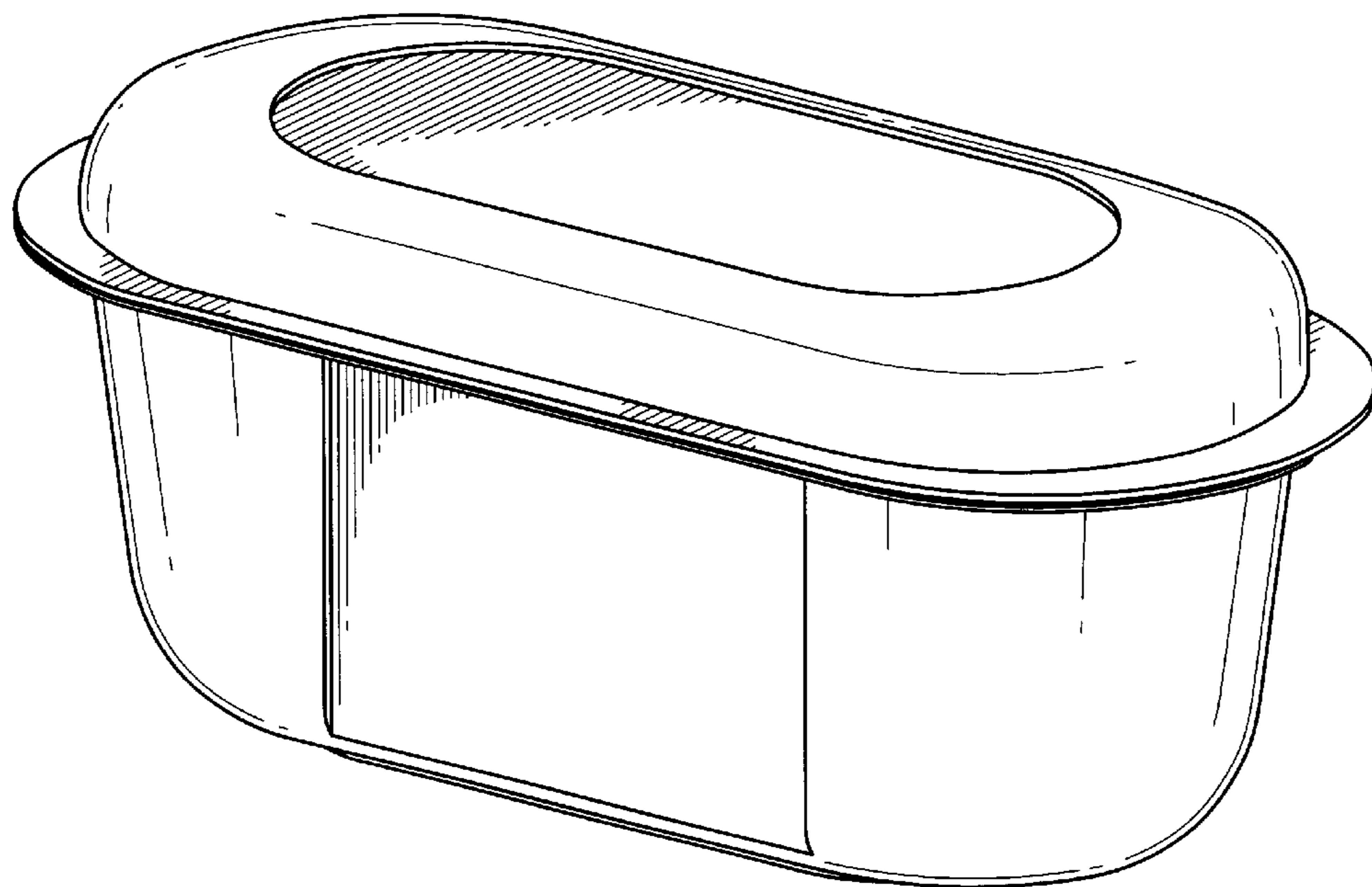


FIG. 2

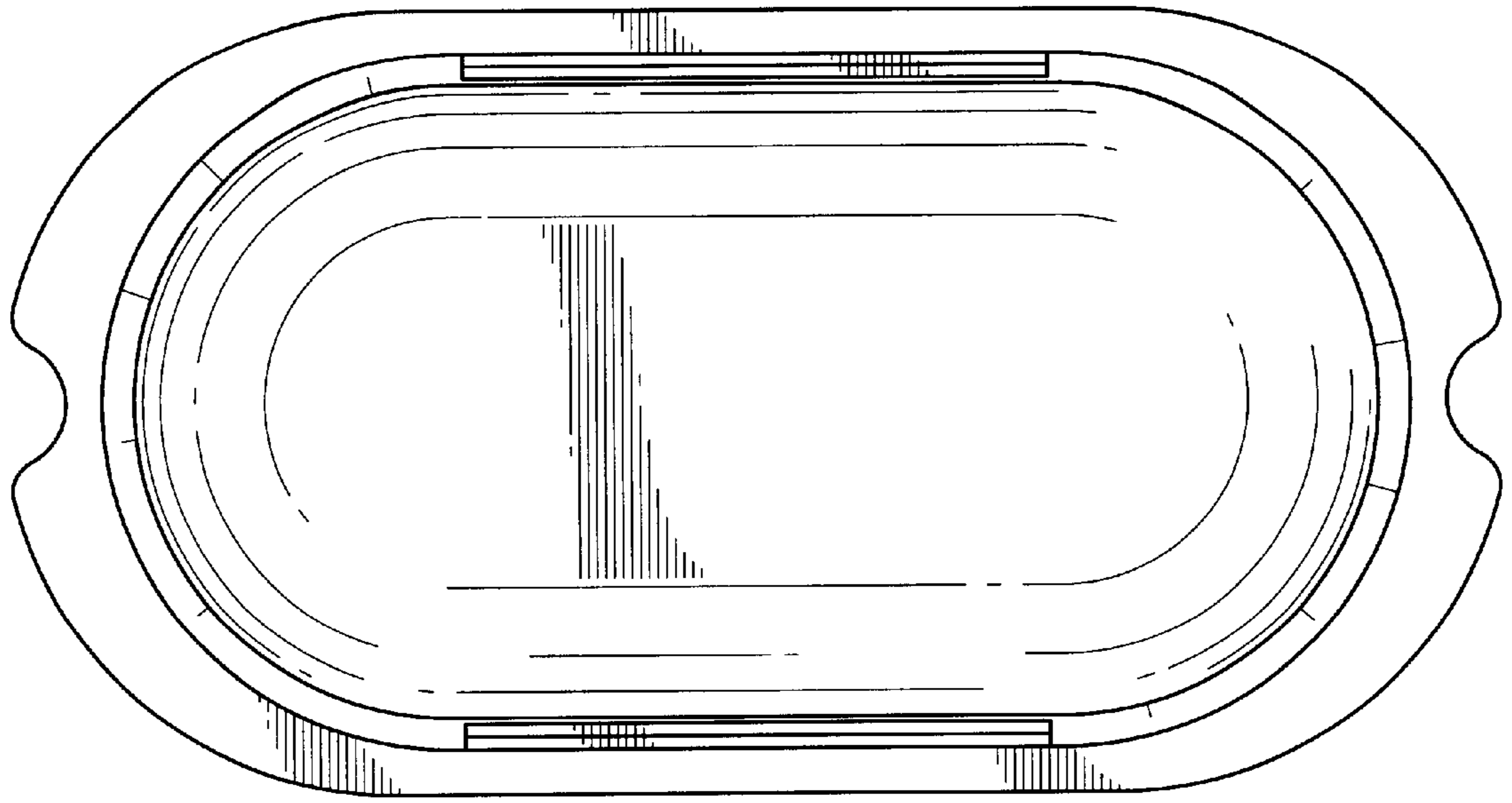


FIG. 3

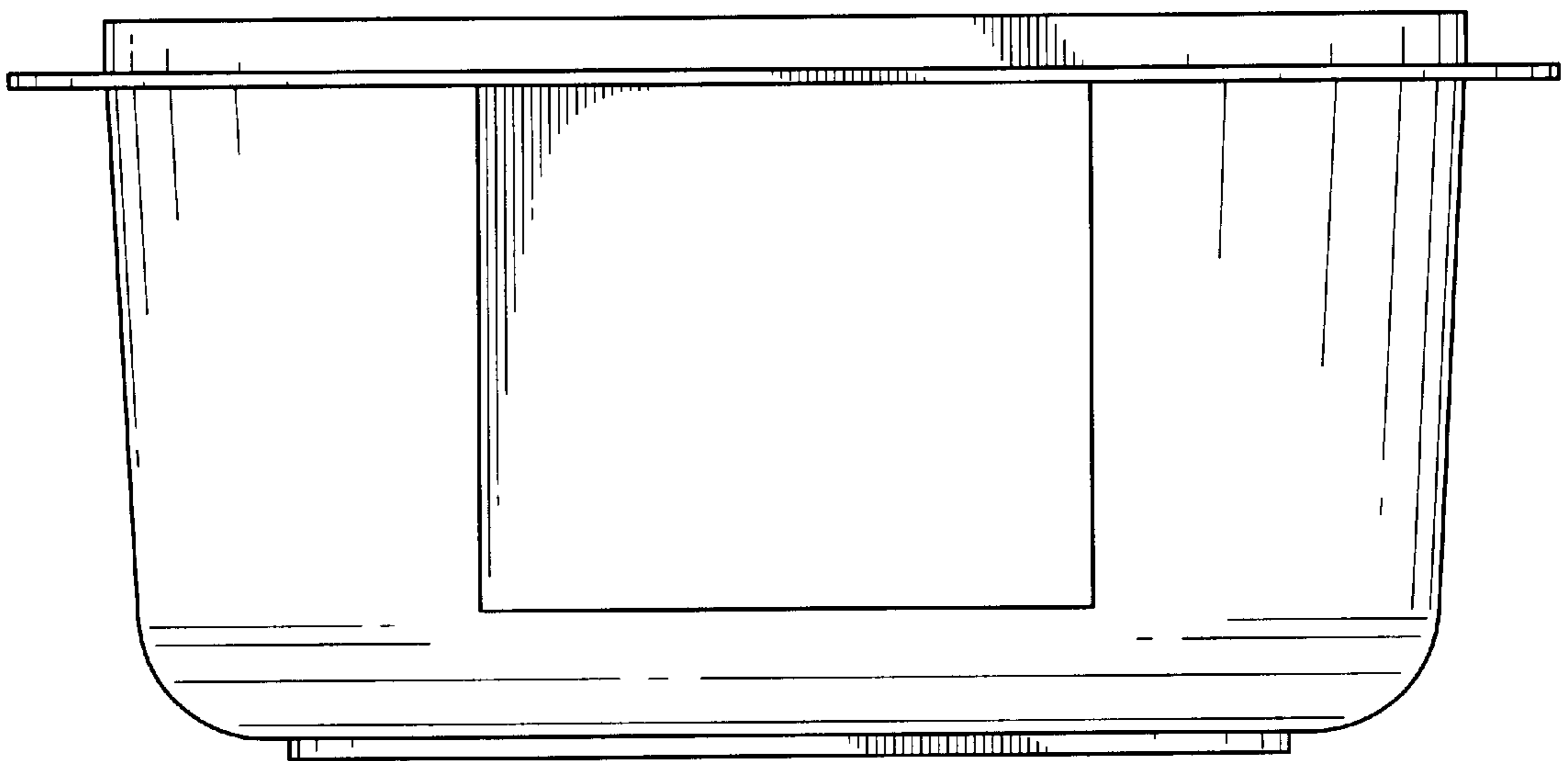


FIG. 4

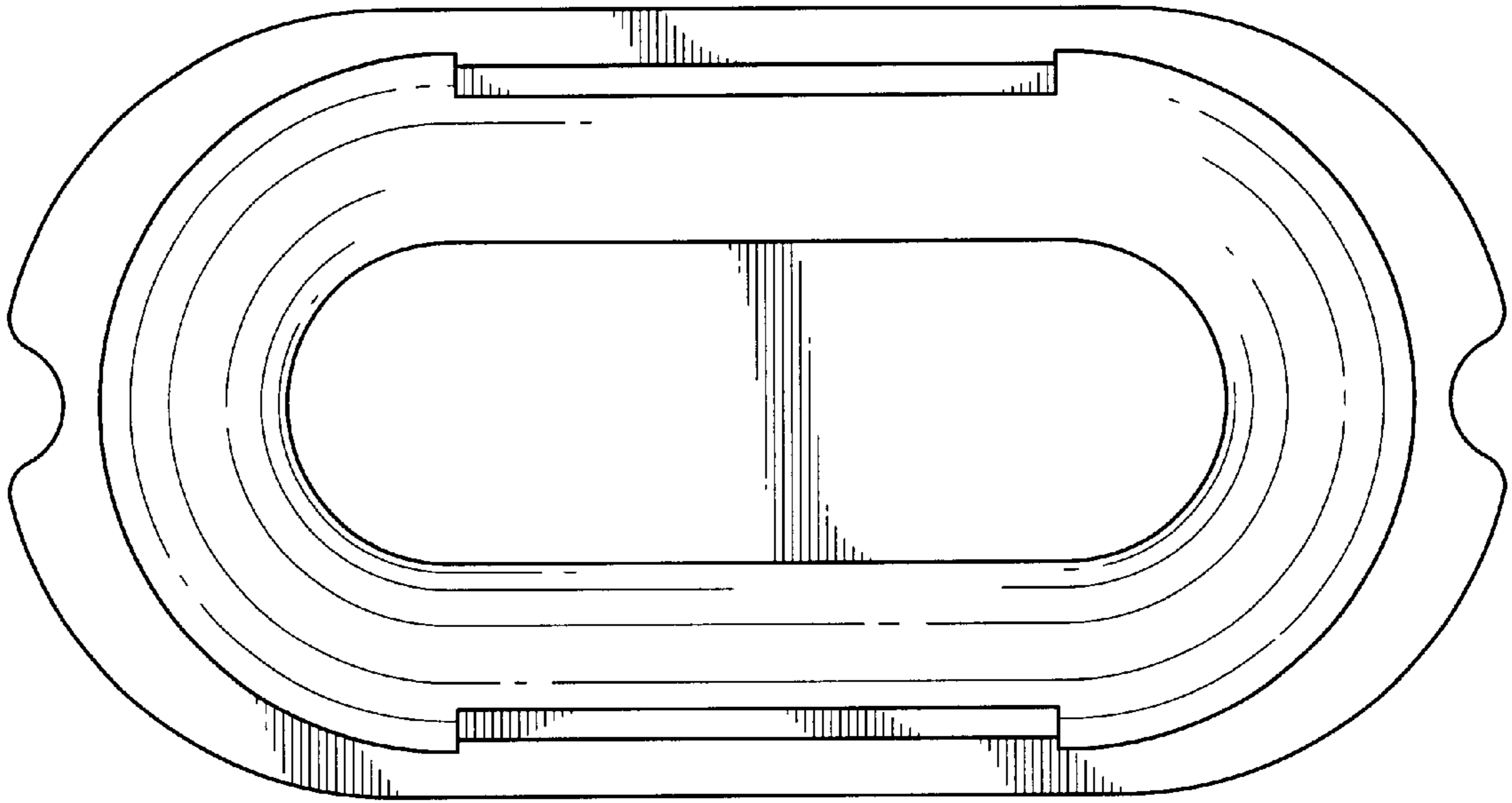


FIG. 5

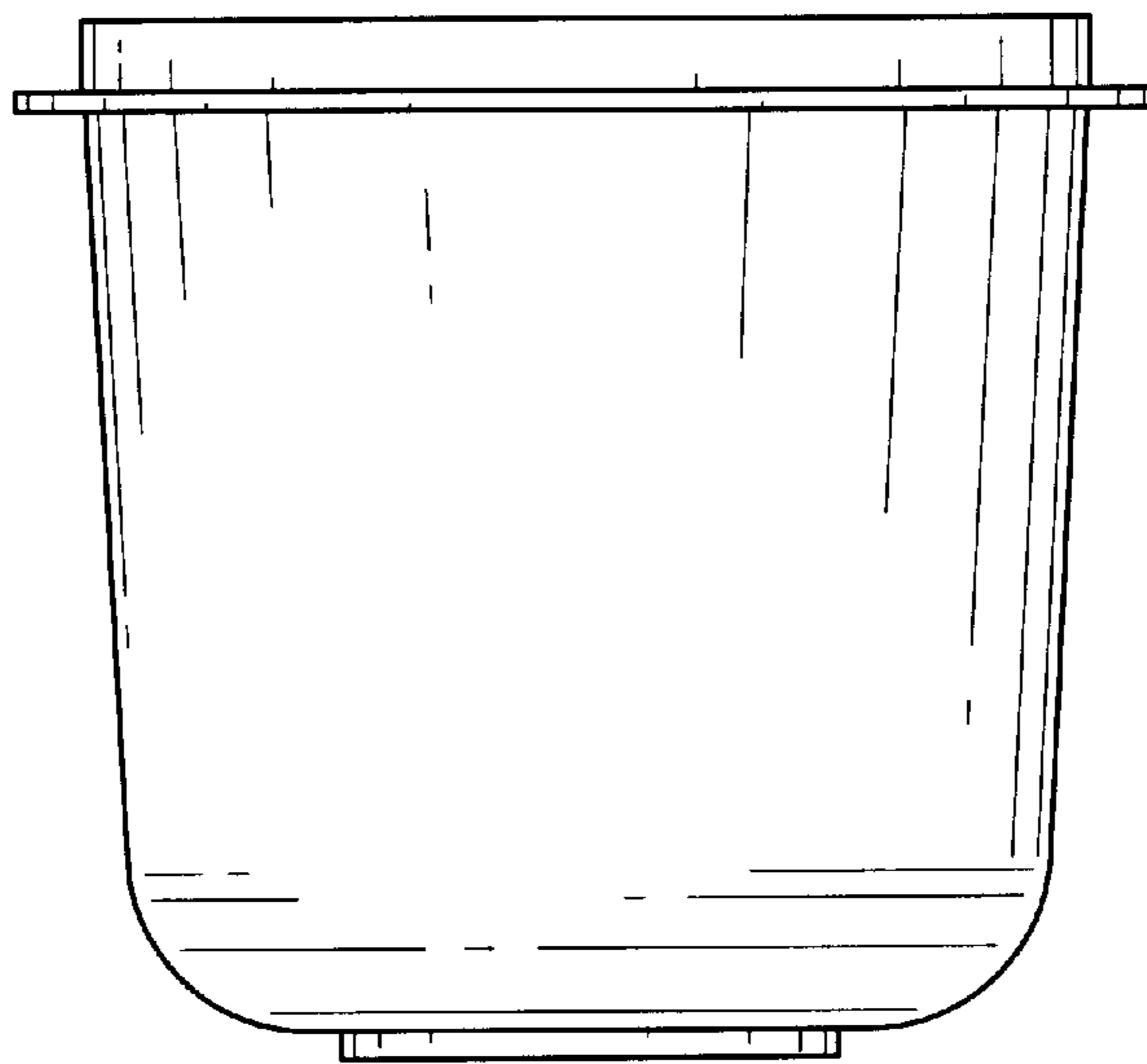


FIG. 6

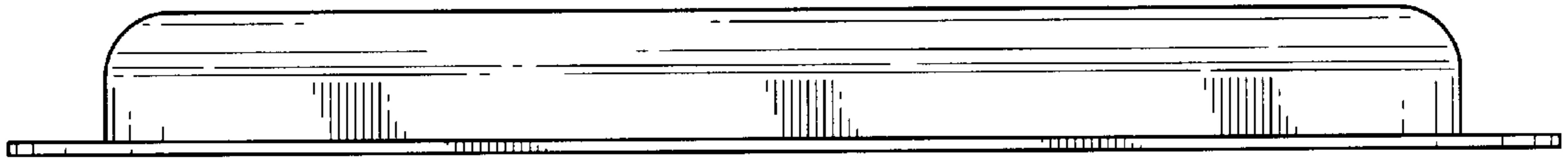


FIG. 7

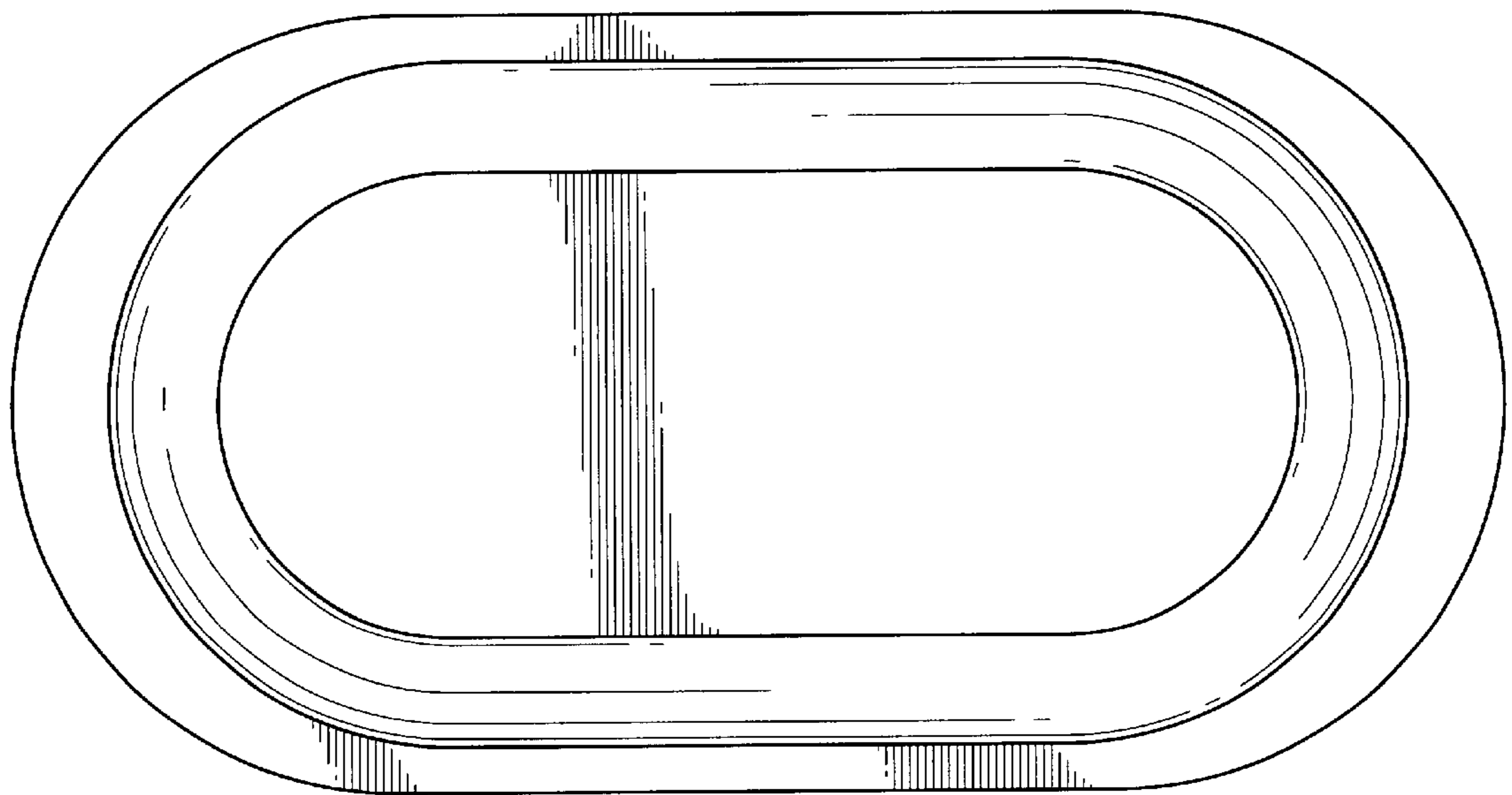


FIG. 8

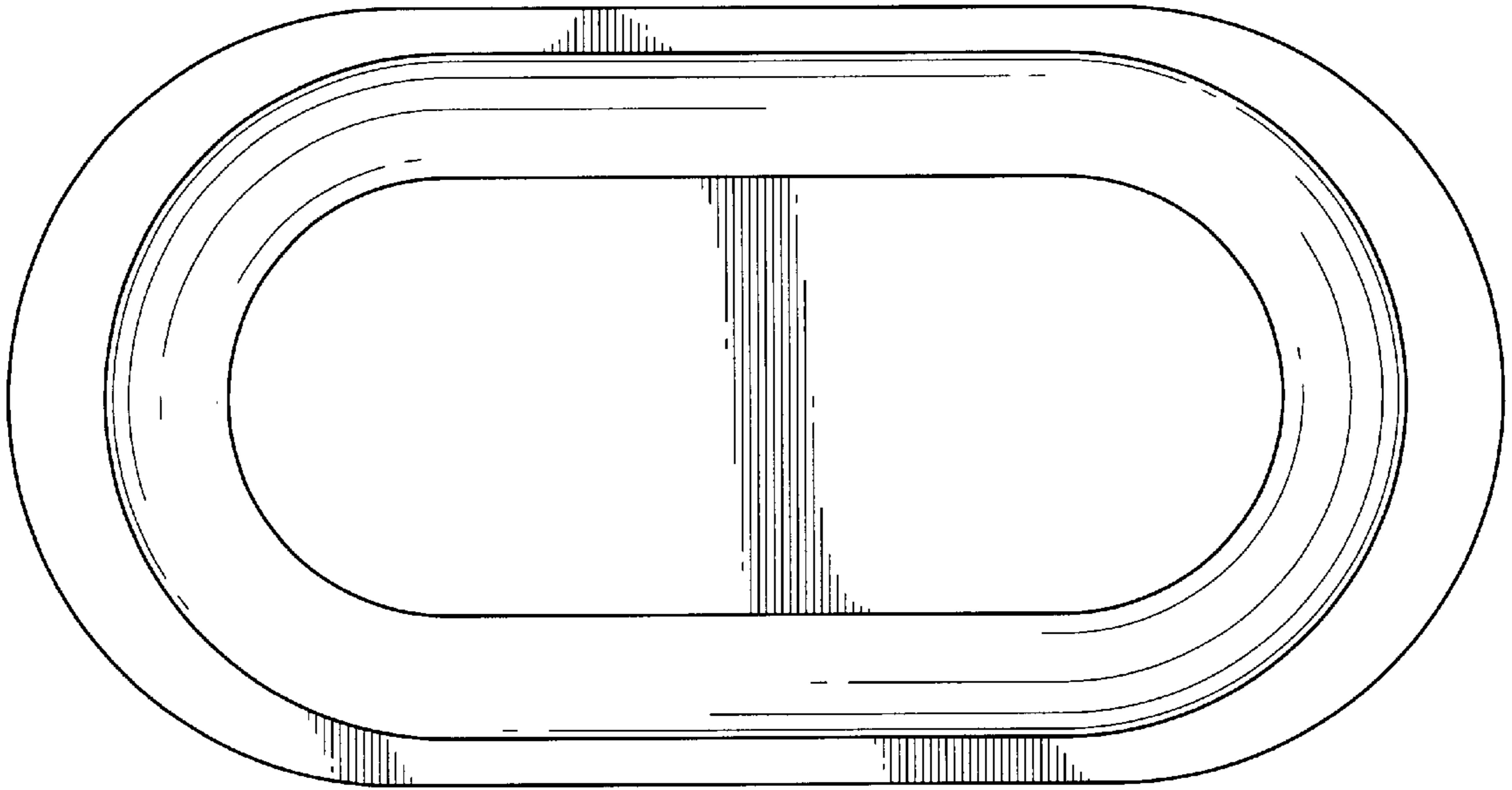


FIG. 9

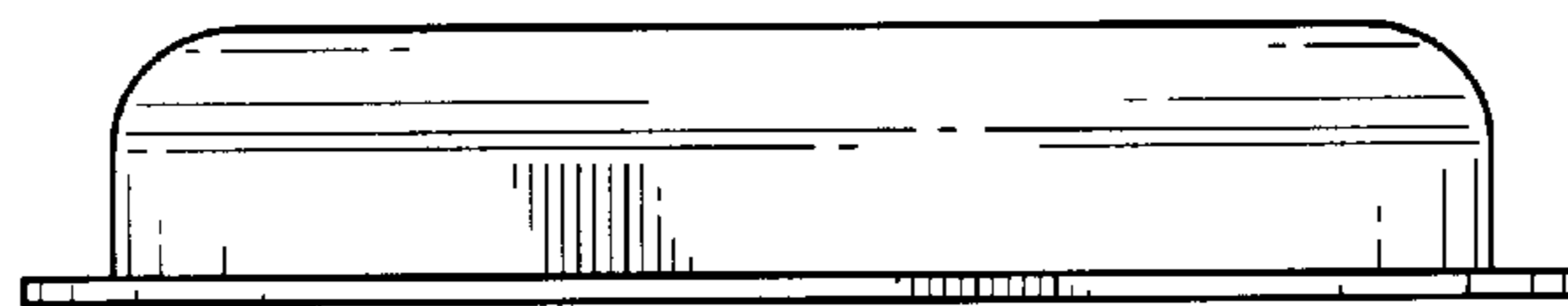


FIG. 10