



US00D469317S

(12) **United States Design Patent**
Doerr

(10) **Patent No.:**

US D469,317 S

(45) **Date of Patent:**

**** Jan. 28, 2003**

(54) **BUOYANT BEVERAGE HOLDER**

5,174,534 A	12/1992	Mitchell
5,279,452 A	1/1994	Huynh
5,447,764 A	9/1995	Langford
5,709,105 A	1/1998	Palermo
5,727,709 A	3/1998	Nobile
6,029,845 A	2/2000	Mueller

(76) **Inventor:** **Stephen Doerr**, 3265 Mendenhall Pl.,
Jacksonville, FL (US) 32224

(**) **Term:** **14 Years**

* cited by examiner

(21) **Appl. No.:** **29/155,769**

(22) **Filed:** **Feb. 15, 2002**

Primary Examiner—Terry A. Wallace

(51) **LOC (7) Cl.** **07-01**

(52) **U.S. Cl.** **D7/619**

(74) *Attorney, Agent, or Firm*—Theresa Camoriano;
Camoriano and Associates

(58) **Field of Search** D7/619, 624, 605–608;
D12/419; 62/457.1, 457.3, 457.4, 457.5,
371; 215/395; 220/737, 739, 903, 560;
248/311.2; 211/71.01, 74

(57) **CLAIM**

The ornamental design for a buoyant beverage holder, as shown and described.

(56) **References Cited**

DESCRIPTION

U.S. PATENT DOCUMENTS

2,531,562 A	11/1950	Eve	
3,015,406 A	1/1962	Nolte	
3,090,478 A	5/1963	Stanley	
3,533,529 A	10/1970	Helbig	
3,831,209 A	8/1974	Clingman	
D272,506 S	* 2/1984	Steiner D7/624
4,887,716 A	12/1989	Abraham	

FIG. 1 is a front view of a buoyant beverage holder showing my new design;

FIG. 2 is a top view thereof;

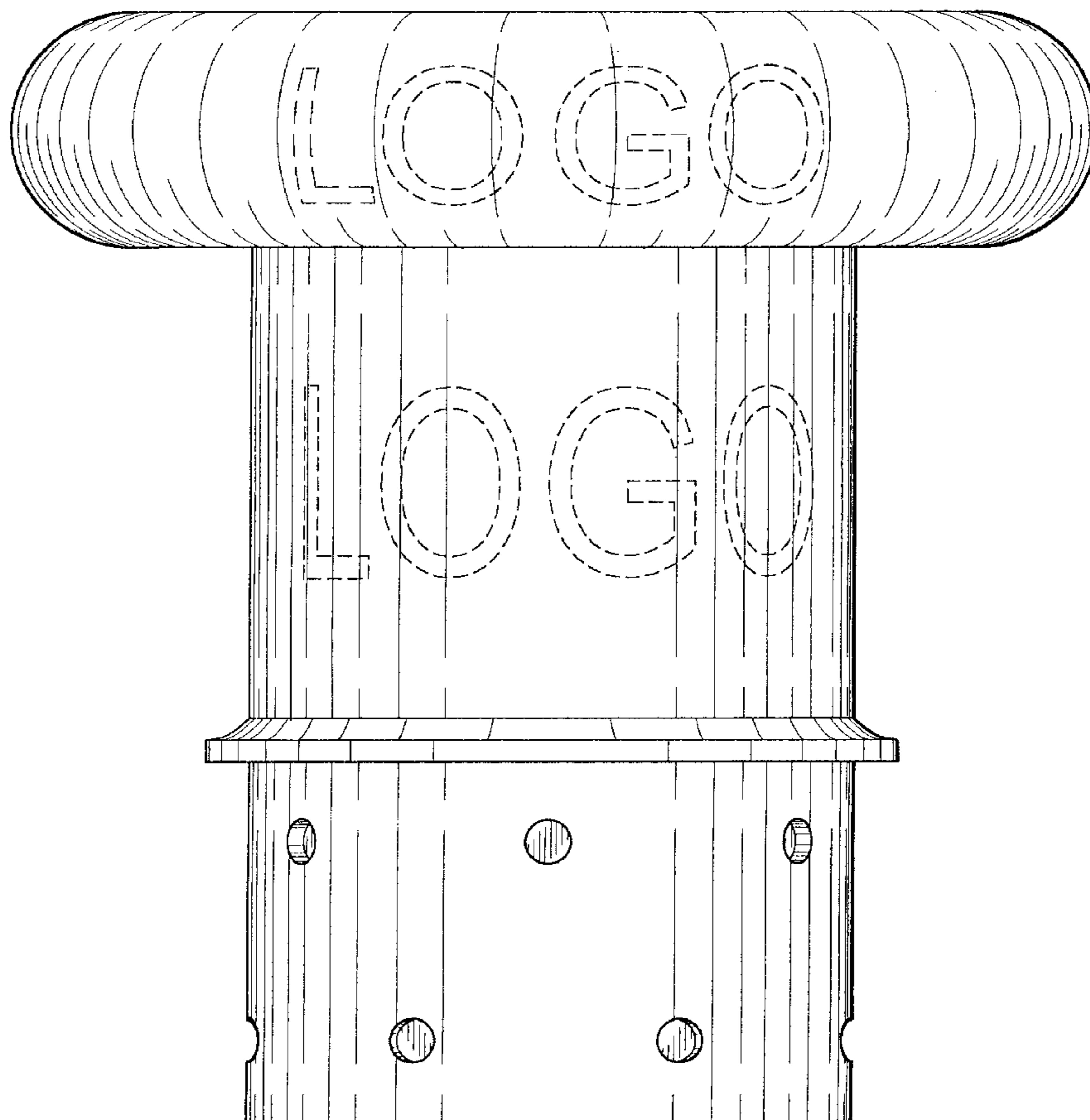
FIG. 3 is a bottom view thereof;

FIG. 4 is a top perspective view thereof; and,

FIG. 5 is a bottom perspective view thereof.

The broken lines are for illustrative purposes only and form no part of the claimed design.

1 Claim, 4 Drawing Sheets



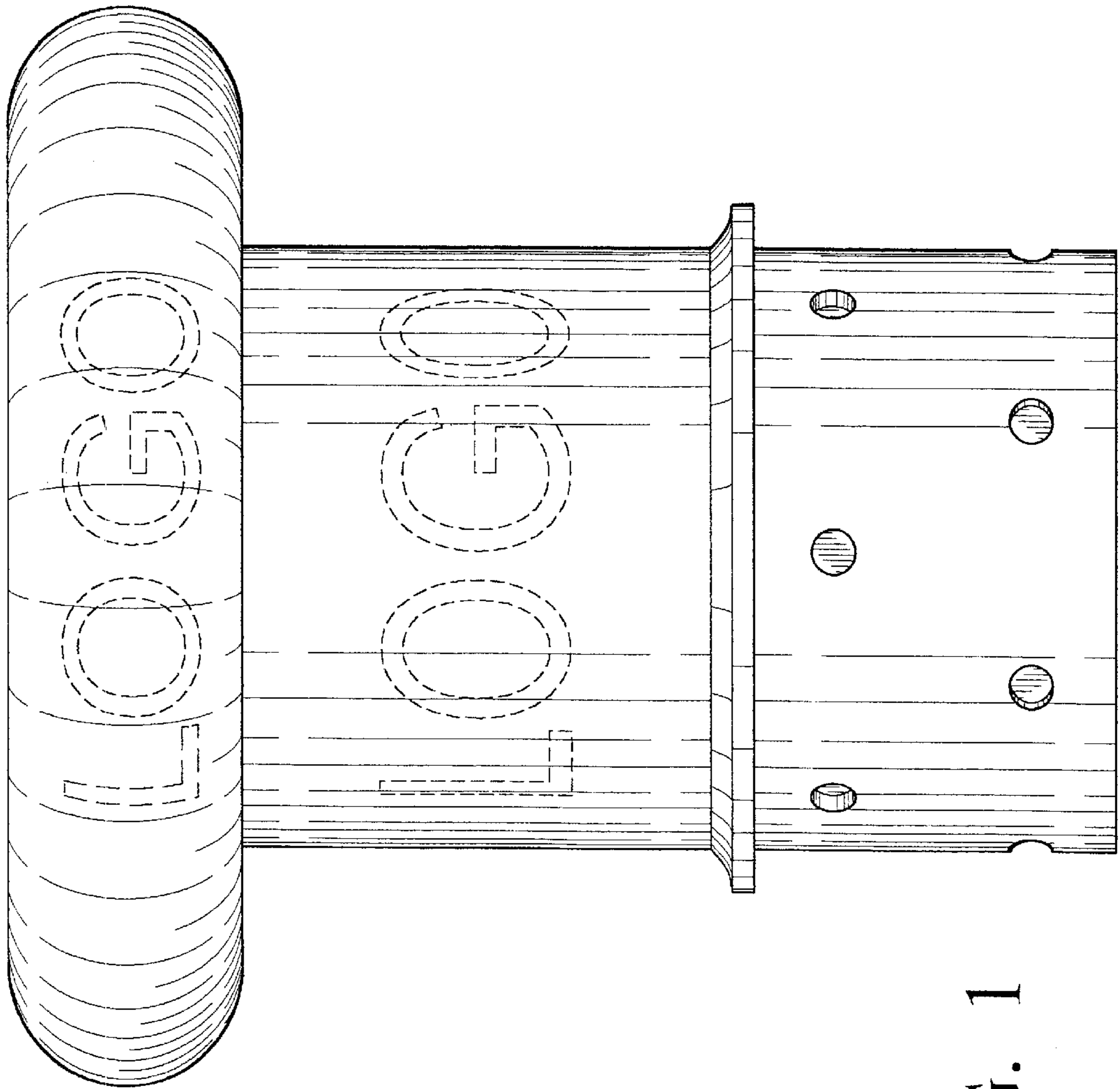


FIG. 1

FIG. 3

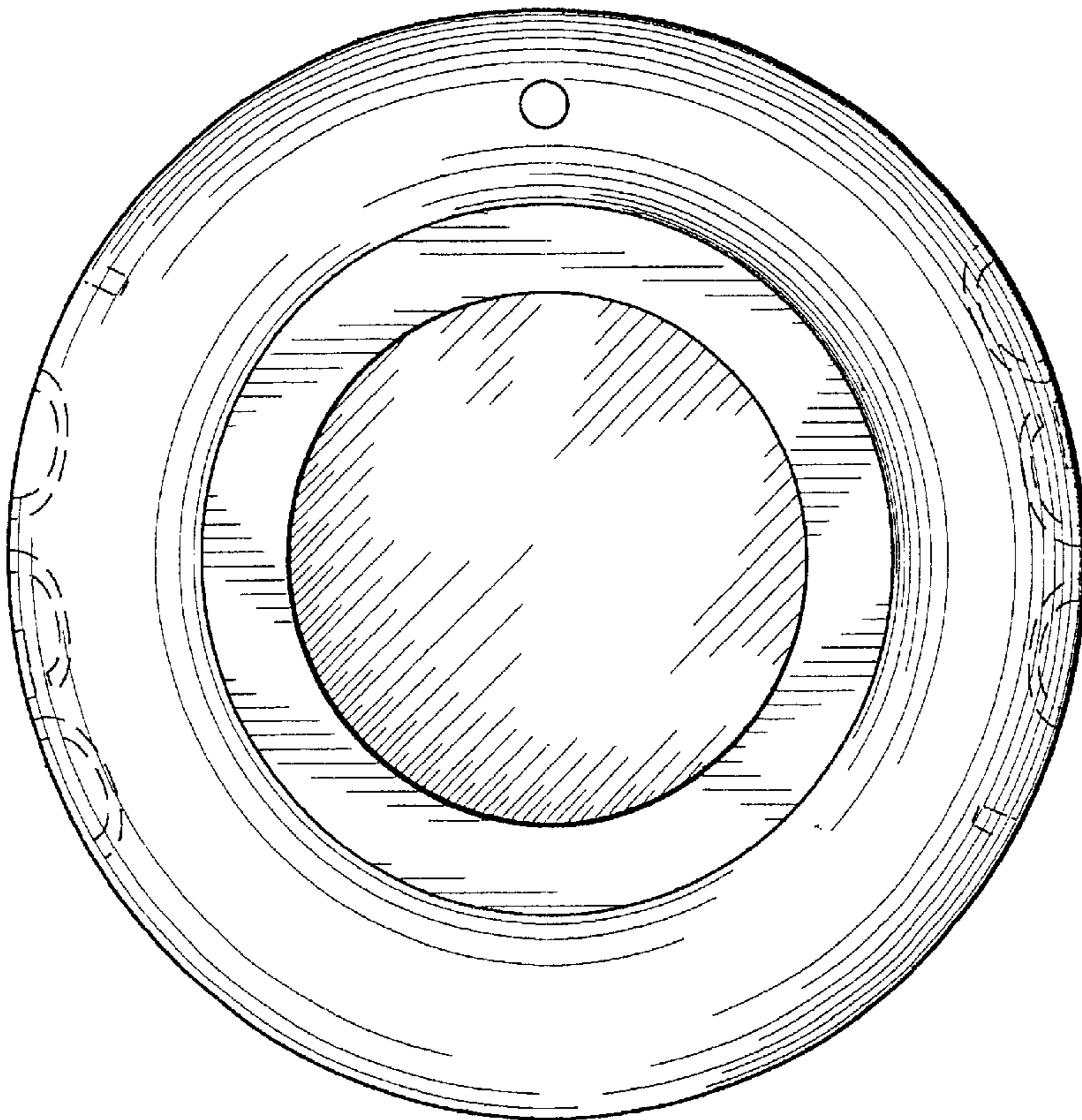
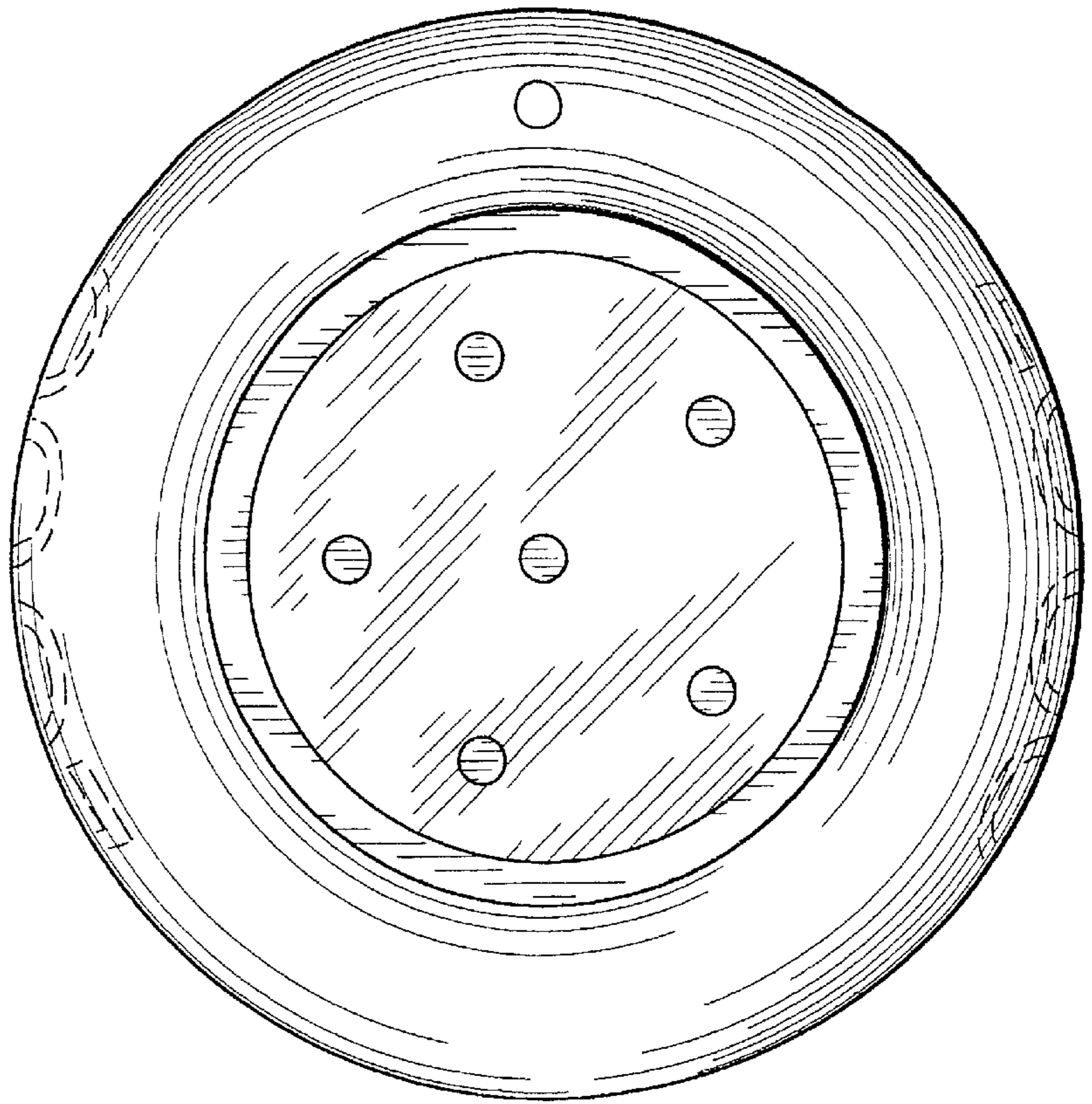


FIG. 2

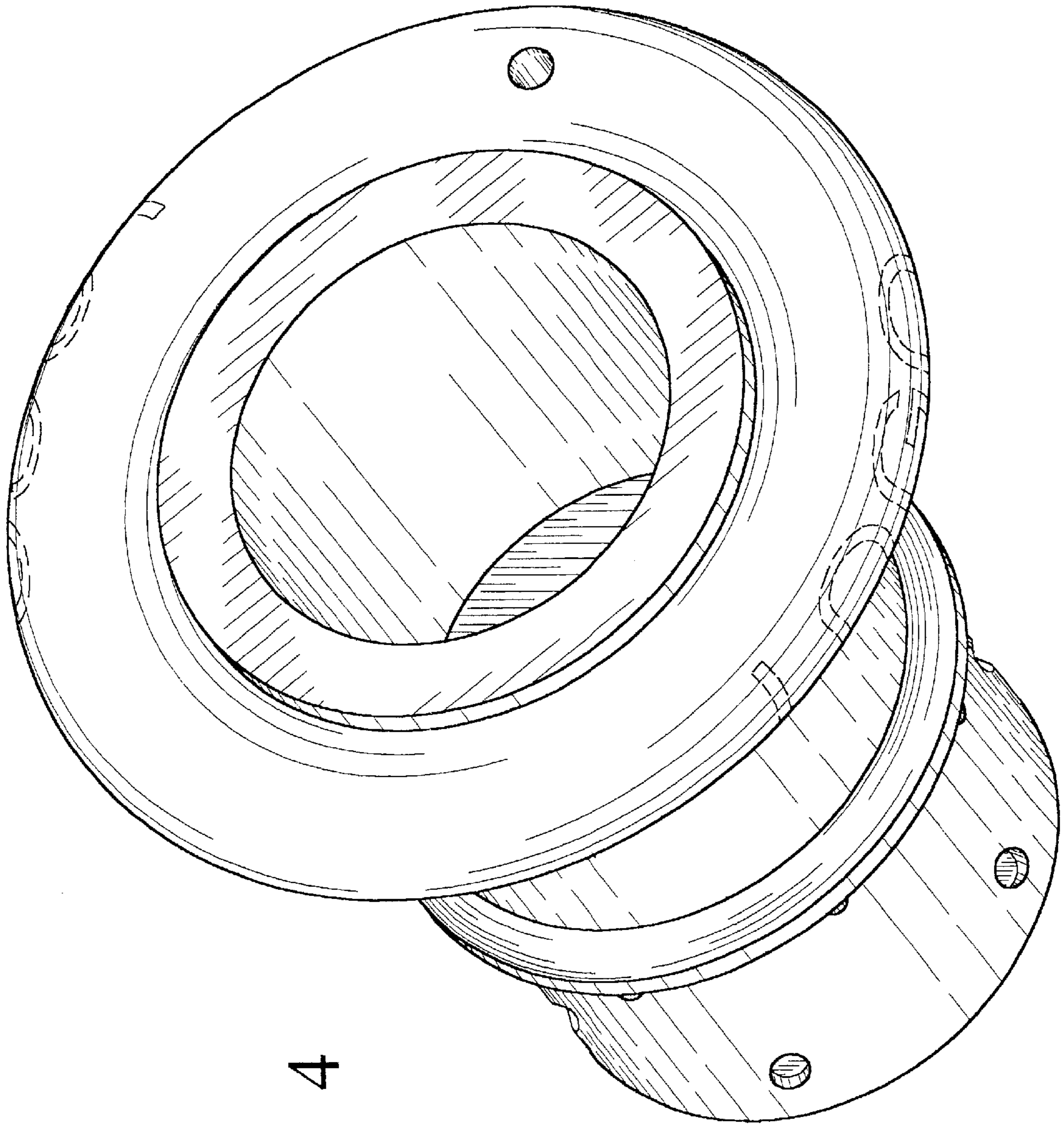


FIG. 4

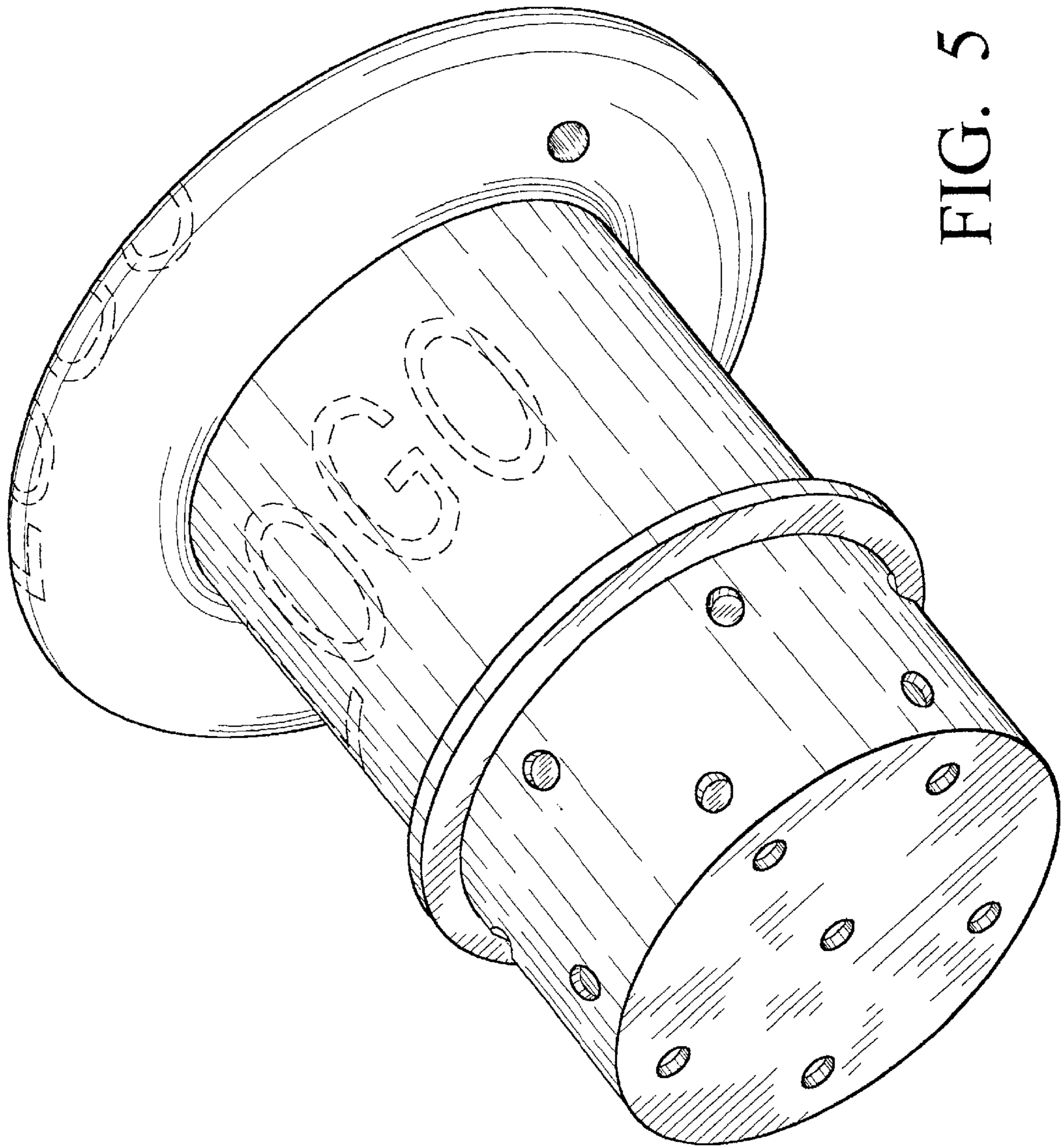


FIG. 5