



US00D469316S

(12) **United States Design Patent**
Quan

(10) **Patent No.:** **US D469,316 S**

(45) **Date of Patent:** **** Jan. 28, 2003**

(54) **PORTION OF STORAGE CONTAINER**

(75) Inventor: **David Quan**, Toronto (CA)

(73) Assignee: **Umbra, Inc.**, Buffalo, NY (US)

(**) Term: **14 Years**

(21) Appl. No.: **29/139,755**

(22) Filed: **Apr. 5, 2001**

(51) **LOC (7) Cl.** **07-01**

(52) **U.S. Cl.** **D7/615**

(58) **Field of Search** D7/391-392.1,
D7/612-615, 629, 538-542; D9/434, 435,
454, 504, 424, 428, 430; 220/288, 200,
780-799, 805

(56) **References Cited**

U.S. PATENT DOCUMENTS

D106,109 S	*	9/1937	Connor	D7/615
2,196,486 A	*	4/1940	Anderson	220/288
2,201,779 A	*	5/1940	Lathrop	220/799
D222,498 S	*	10/1971	Gould	D7/614
D322,753 S	*	12/1991	Sussman	D9/504

OTHER PUBLICATIONS

Modern Packaging Encyclodedia Issue 1960, p. 363, twist off cap, bottom, right corner.*

Chef's Catalog, Jun. 1997, p. 35, lid for seasoning shaker, right side coloumn.*

* cited by examiner

Primary Examiner—Terry A. Wallace

(74) *Attorney, Agent, or Firm*—Saidman DesignLaw Group

(57) **CLAIM**

The ornamental design for a portion of storage container, as shown and described.

DESCRIPTION

FIG. 1 is a perspective view of a portion of storage container showing my new design;

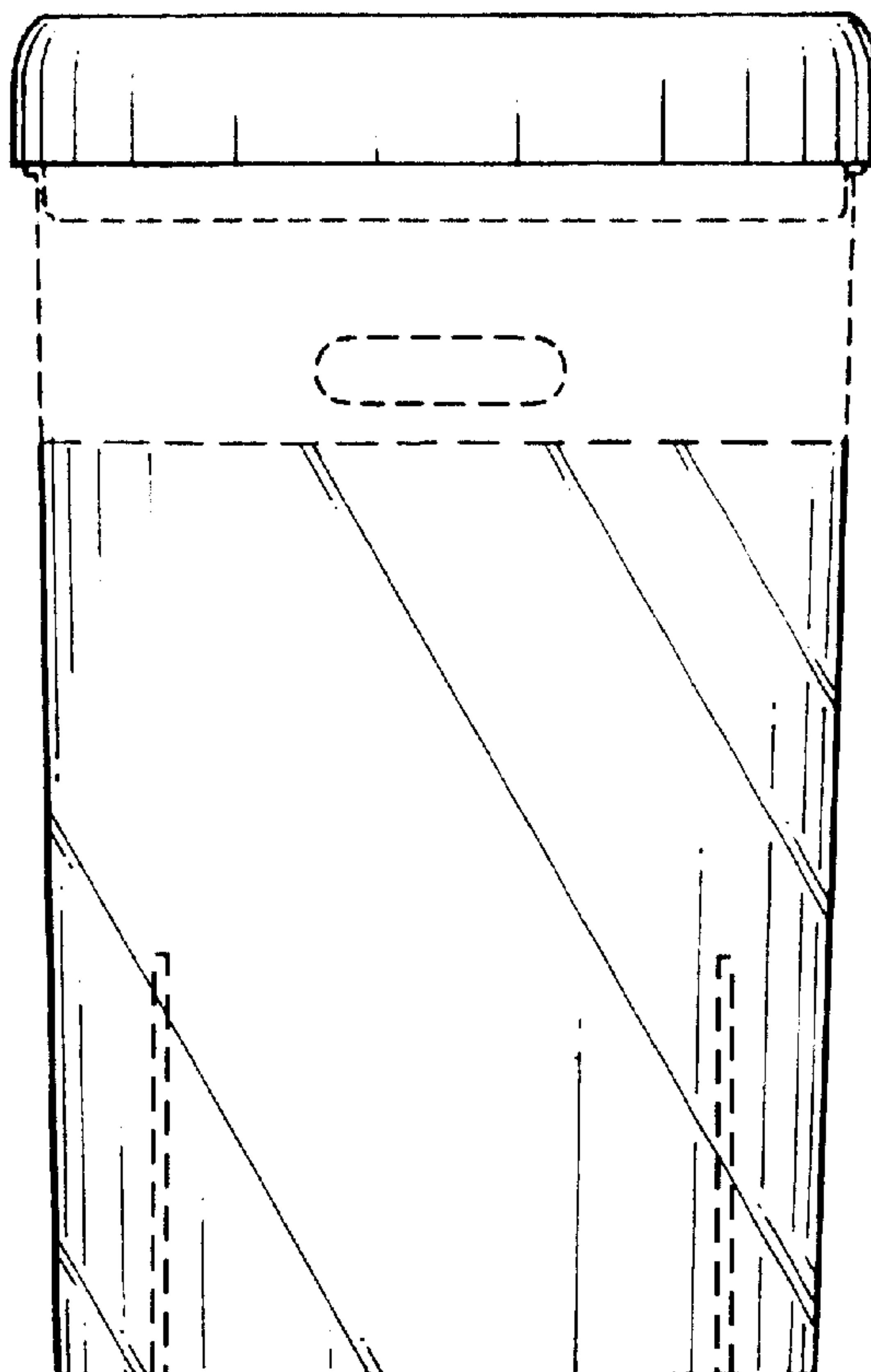
FIG. 2 is a front view thereof;

FIG. 3 is an exploded rear view thereof, the left and right side views being identical thereto; and,

FIG. 4 is a top view thereof.

The broken lines in the drawing are for illustrative purposes only and form no part of the claimed design. The shading on the portion of the lid indicates that it is opaque and the shading on the bottom portion of the container indicates that it is translucent.

1 Claim, 2 Drawing Sheets



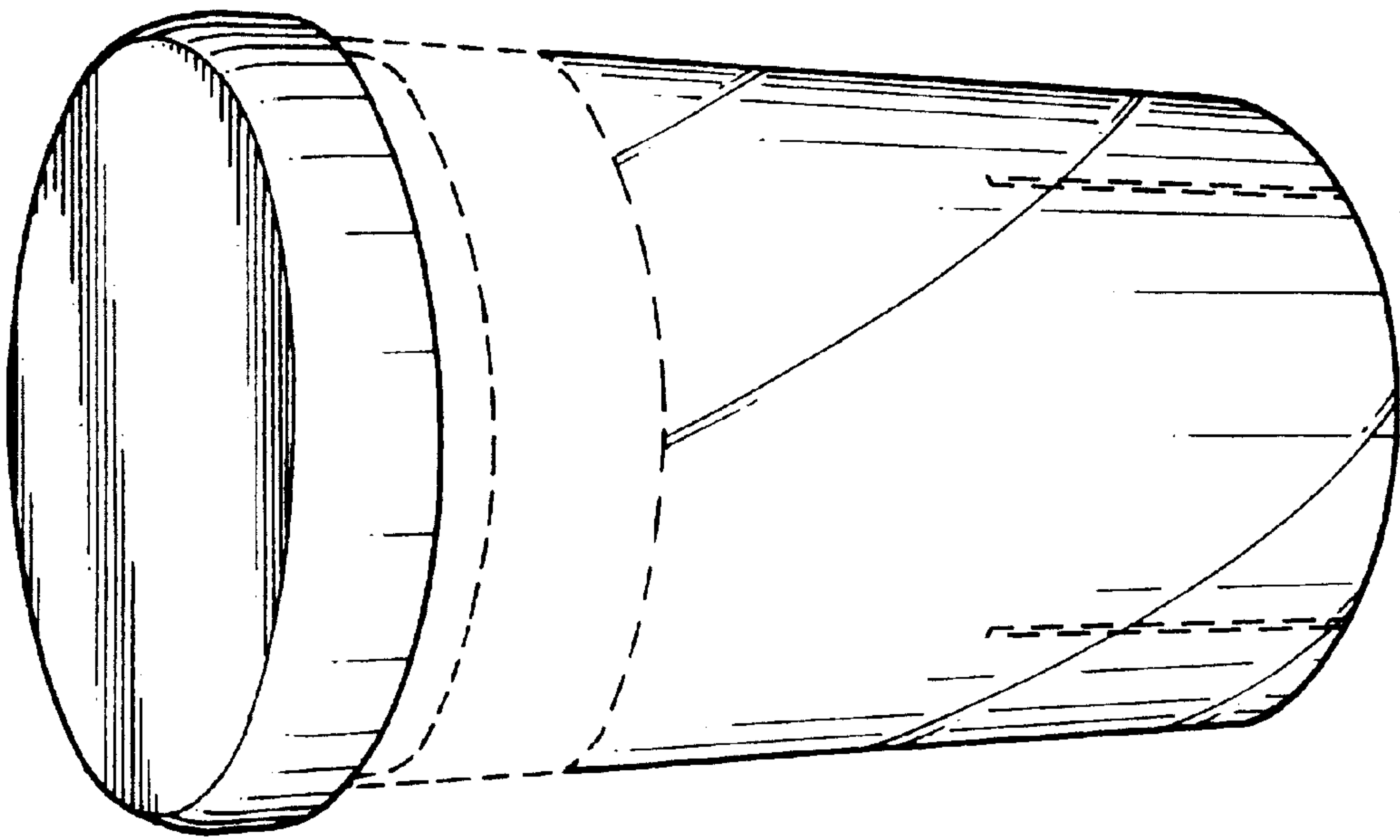


FIG. 1

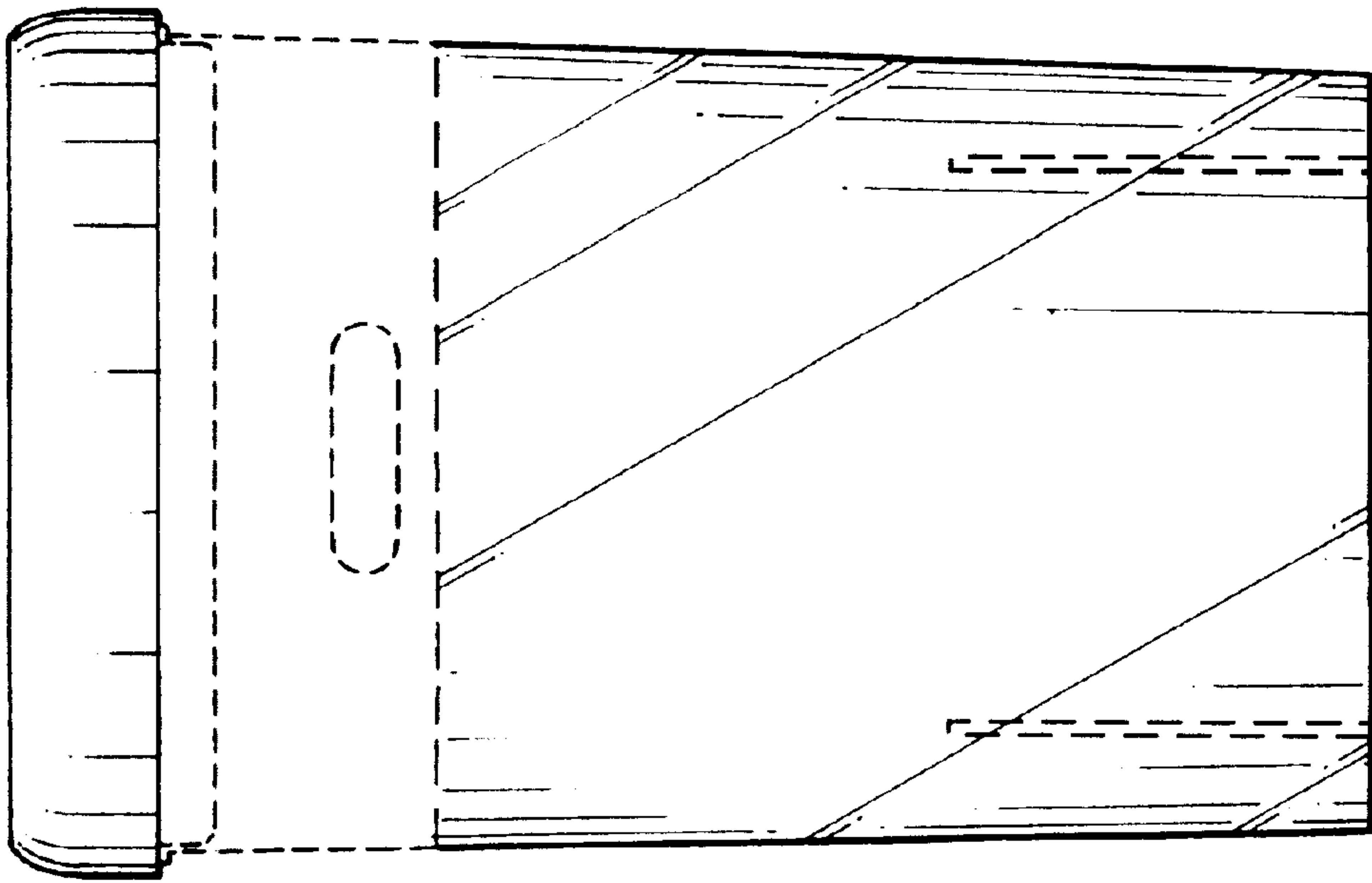


FIG. 2

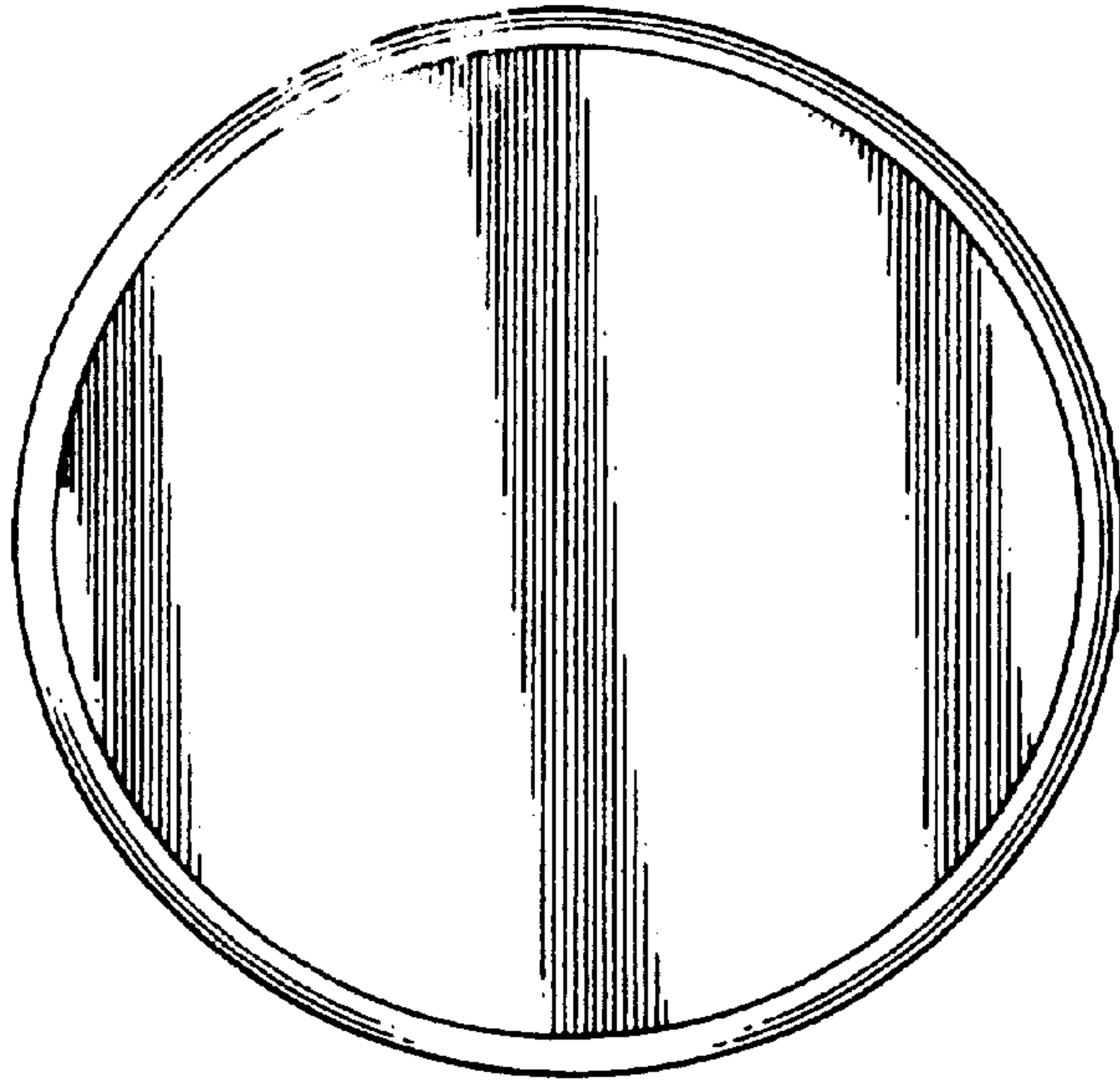


FIG. 4

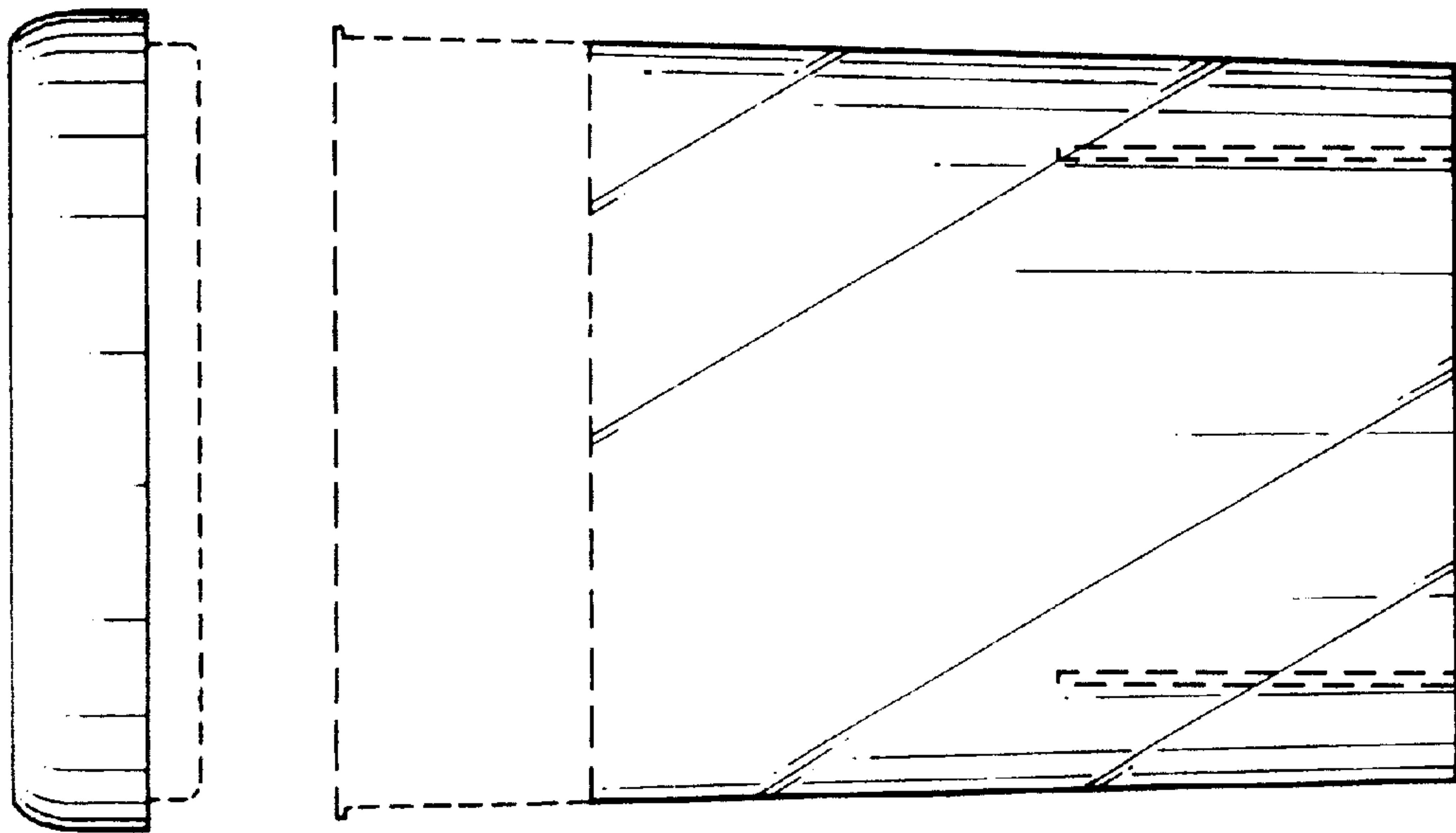


FIG. 3