



US00D469313S

(12) **United States Design Patent**
Thonis et al.

(10) **Patent No.:** **US D469,313 S**
(45) **Date of Patent:** **** Jan. 28, 2003**

(54) **FLUTED CONTAINER**

OTHER PUBLICATIONS

(75) Inventors: **Paul Thonis**, Corning, NY (US);
Jeffrey B. Kell, Avon, NY (US);
Timothy K. Virkus, Painted Post, NY (US)

(73) Assignee: **World Kitchen, Inc.**, Elmira, NY (US)

(**) Term: **14 Years**

(21) Appl. No.: **29/143,189**

(22) Filed: **Jun. 8, 2001**

(51) **LOC (7) Cl.** **07-01**

(52) **U.S. Cl.** **D7/602**

(58) **Field of Search** D7/601, 602, 629,
D7/538-549, 354, 359; D9/414, 424, 425,
428-432; 220/281, 602, 608, 662, 665,
673, 675, 780-799, 805; 99/DIG. 15; 229/182.1,
186, 406, 902-906

Corningware Housewares Catalog, 1978.
Corningware Housewares Catalog, Mar. 1981, pp. 14-15.
Corningware Housewares Catalog, 1982, pp. 4-5, 10-11.
Corningware Housewares Catalog, 1982, pp. 7, 14, 15.
Corningware Housewares Catalog, 1983.
Corningware Housewares Catalog, 1991.
Corningware Housewares Catalog, 1998.
Corningware Housewares Catalog, 1999.

* cited by examiner

Primary Examiner—Terry A. Wallace

(74) *Attorney, Agent, or Firm*—Wolf, Greenfield & Sacks, P.C.

(57) **CLAIM**

The ornamental design for a fluted container, as shown and described.

DESCRIPTION

FIG. 1 is a perspective view of the fluted container;

FIG. 2 is a top view;

FIG. 3 is a bottom view;

FIG. 4 is a front view;

FIG. 5 is a rear view;

FIG. 6 is a left side view; and,

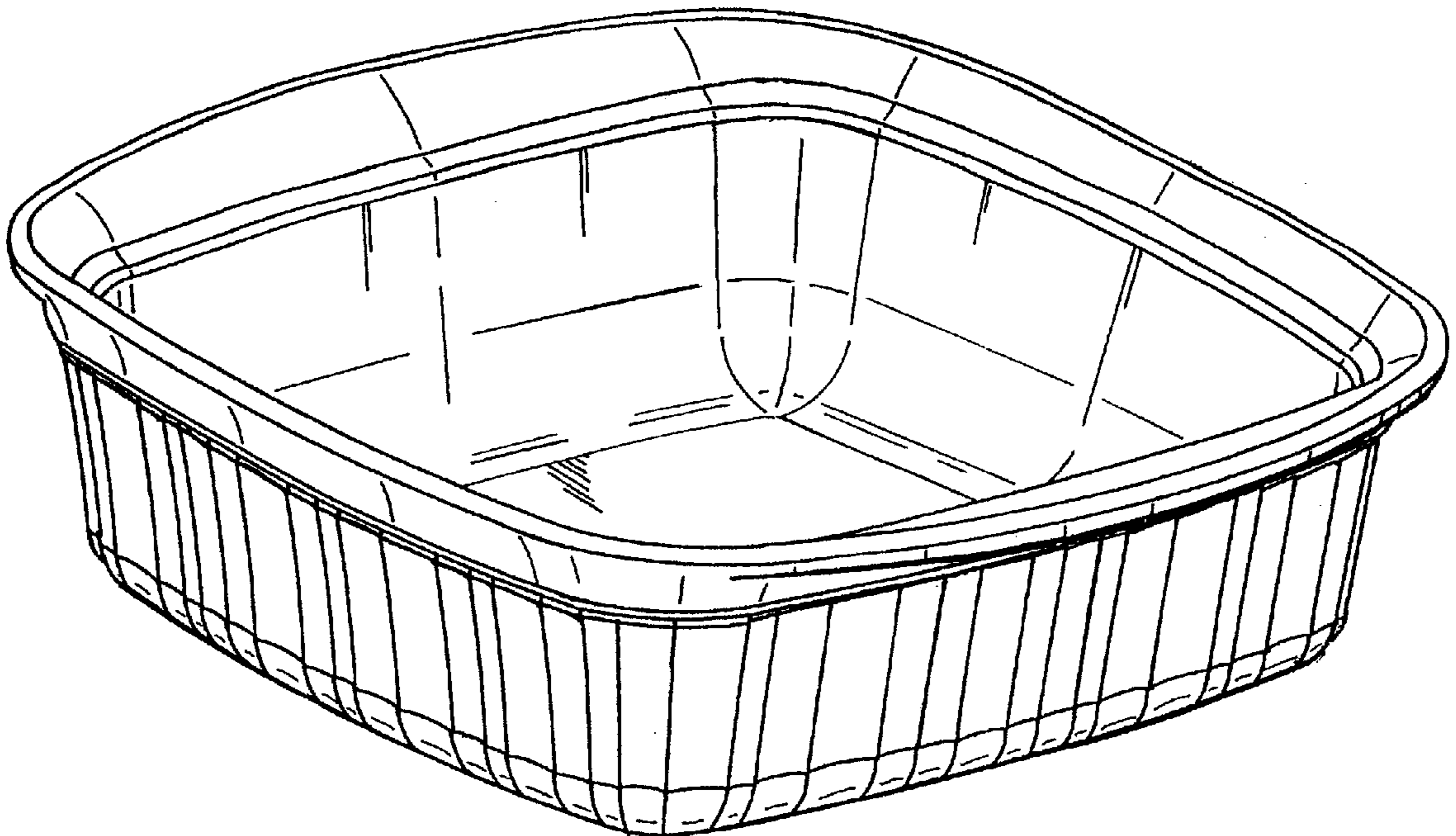
FIG. 7 is a right side view.

(56) **References Cited**

U.S. PATENT DOCUMENTS

D57,182 S * 3/1921 Beiswanger D7/540
4,026,458 A * 5/1977 Morris et al. 229/406
D365,501 S * 12/1995 Daugherty et al. D7/602
D392,881 S * 3/1998 Bulcher et al. D9/425
D398,185 S 9/1998 Emrich
D411,075 S 6/1999 Emrich
D415,935 S * 11/1999 Martinez D7/602

1 Claim, 3 Drawing Sheets



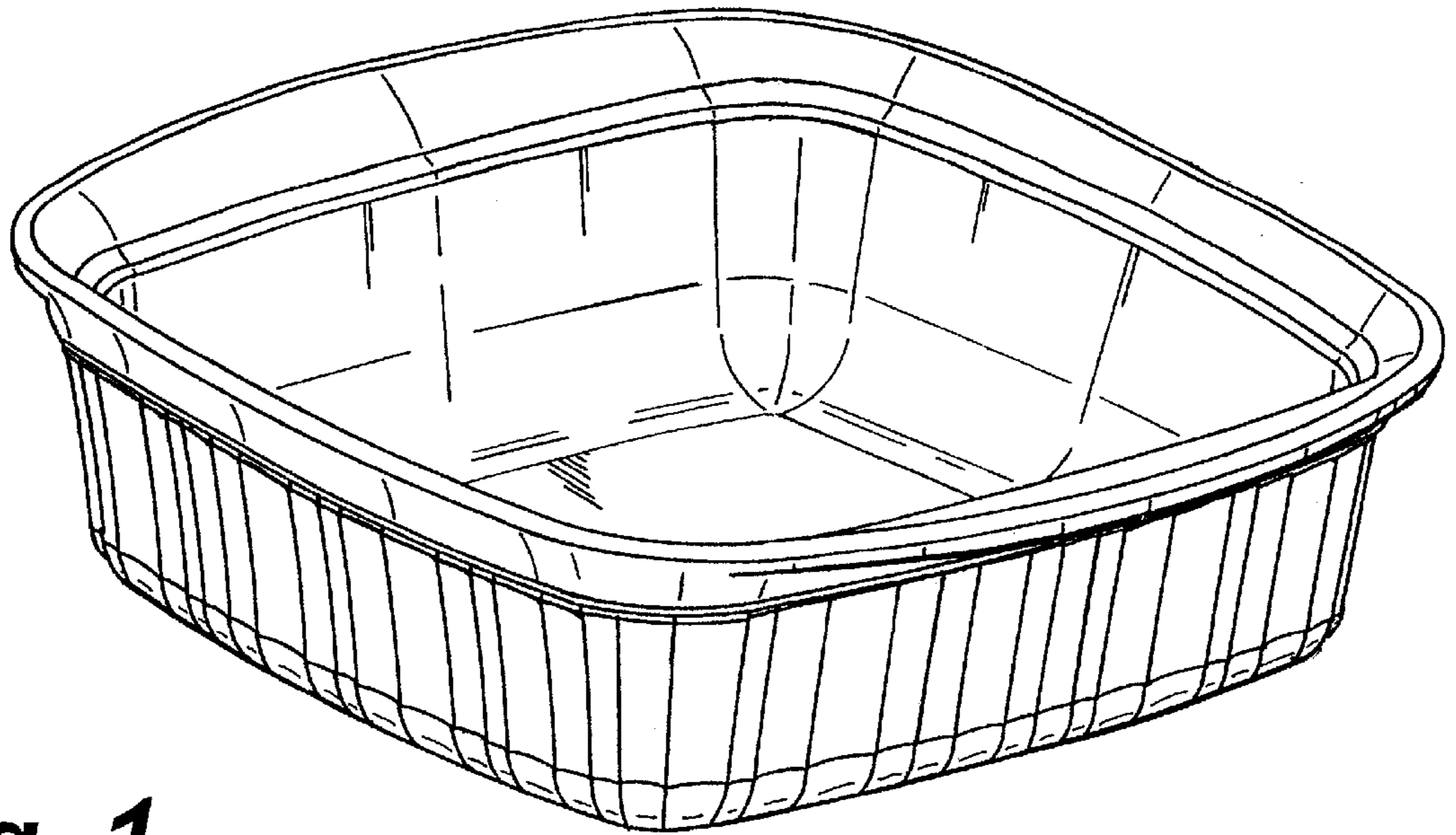


Fig. 1

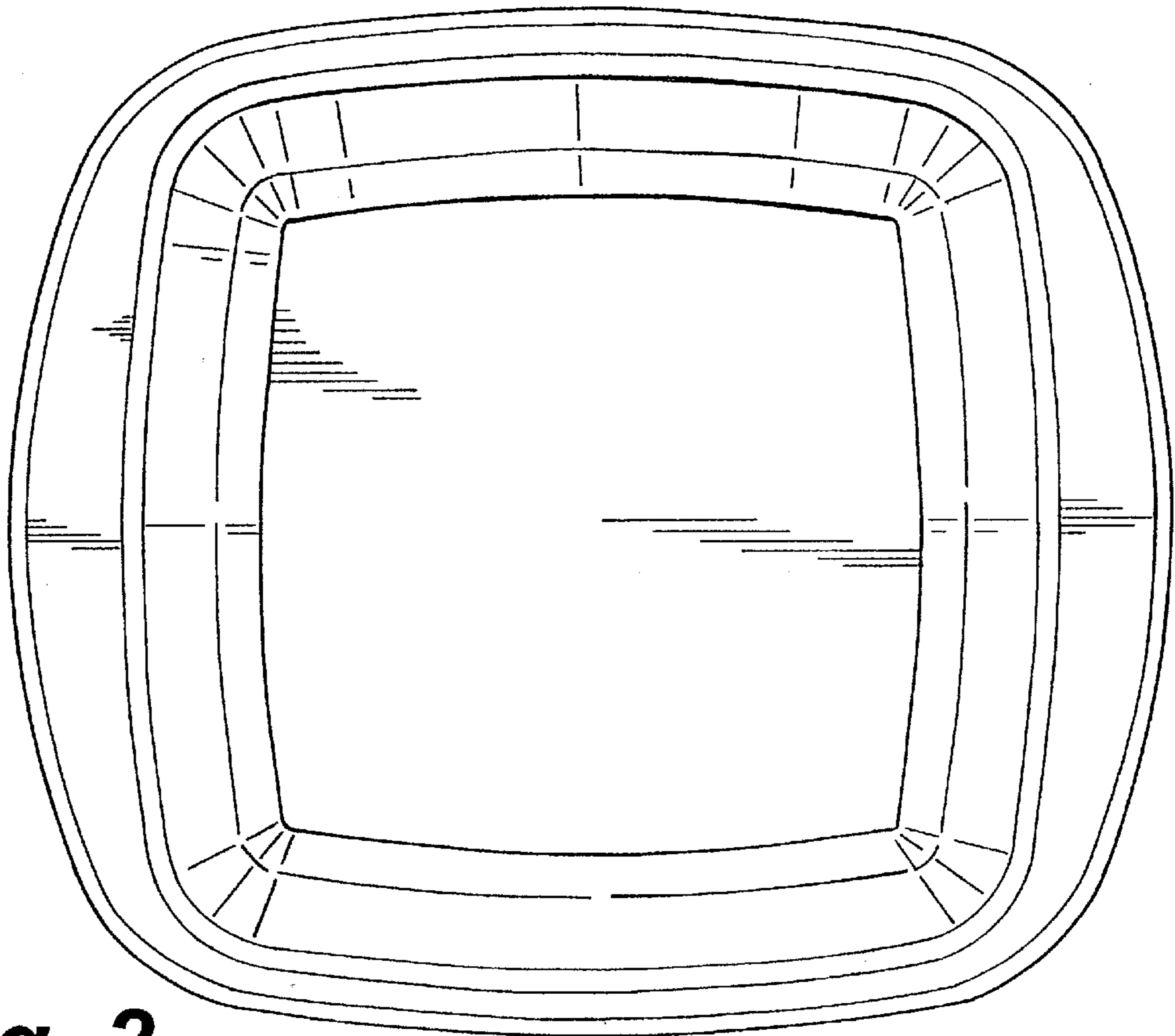


Fig. 2

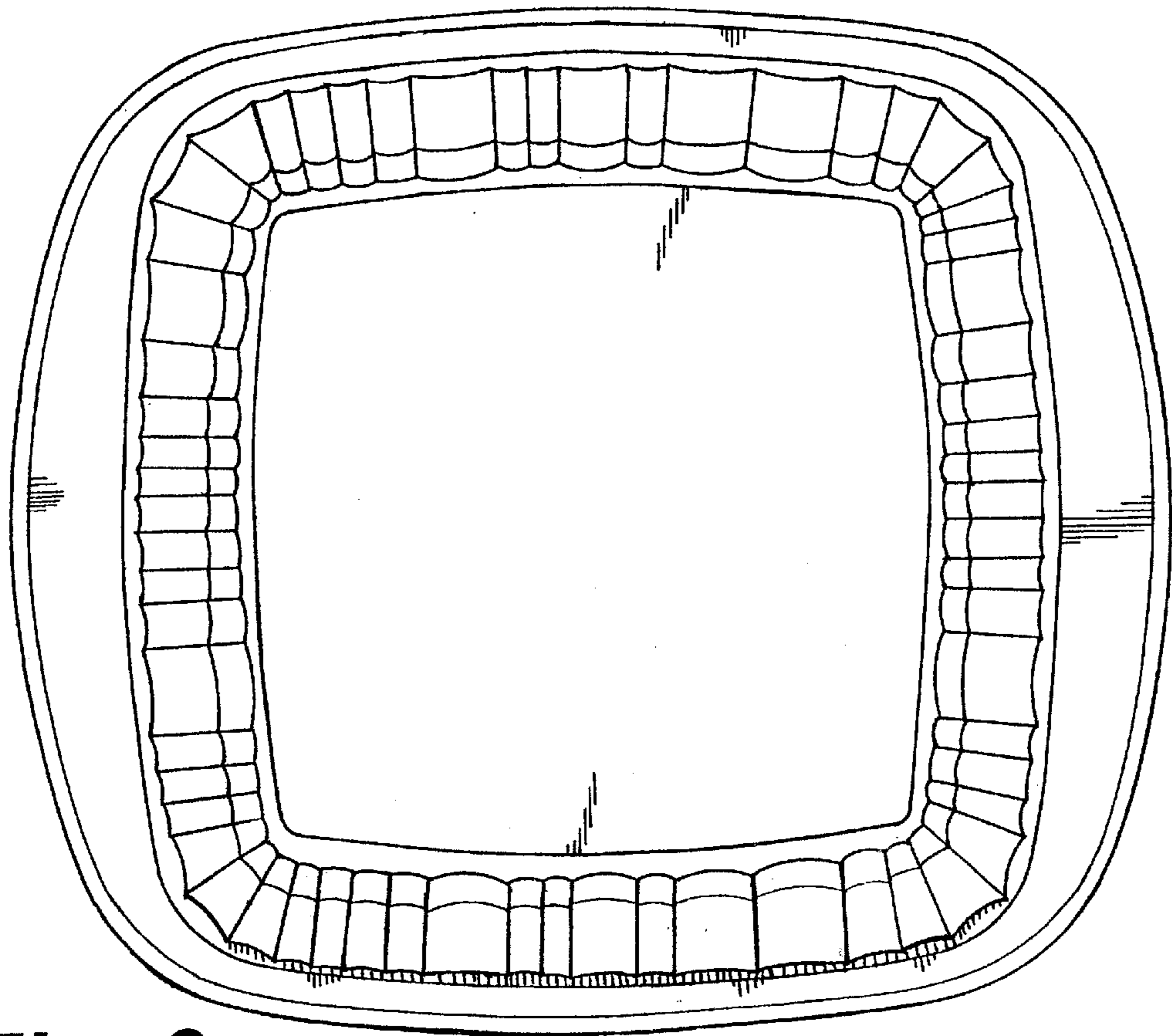


Fig. 3

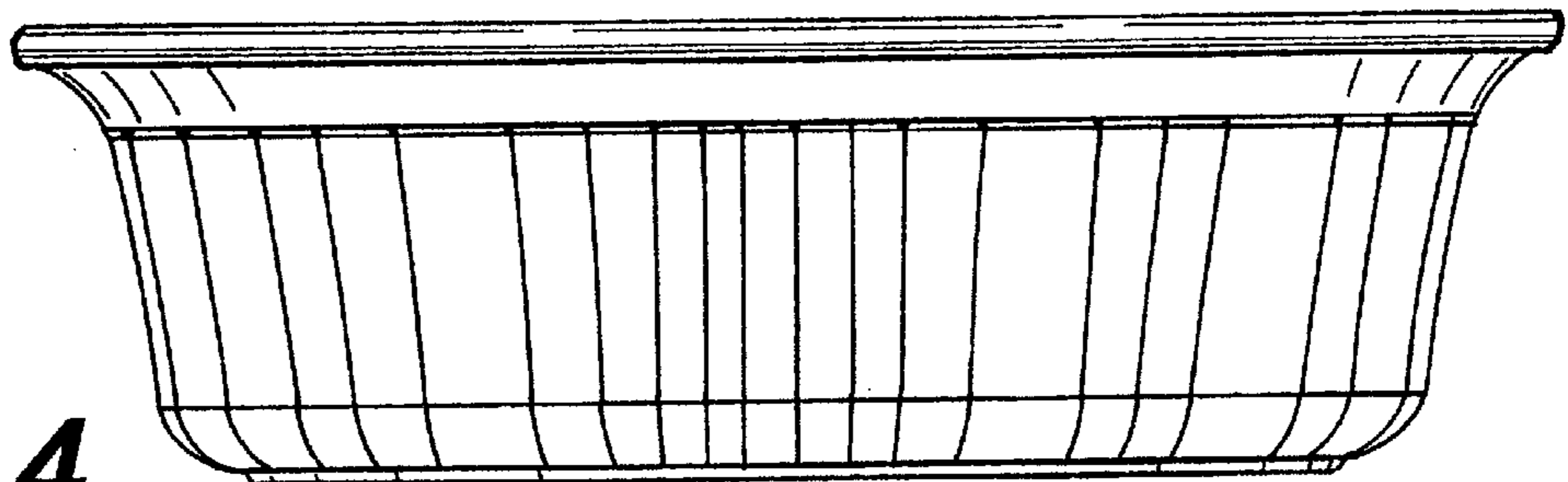


Fig. 4

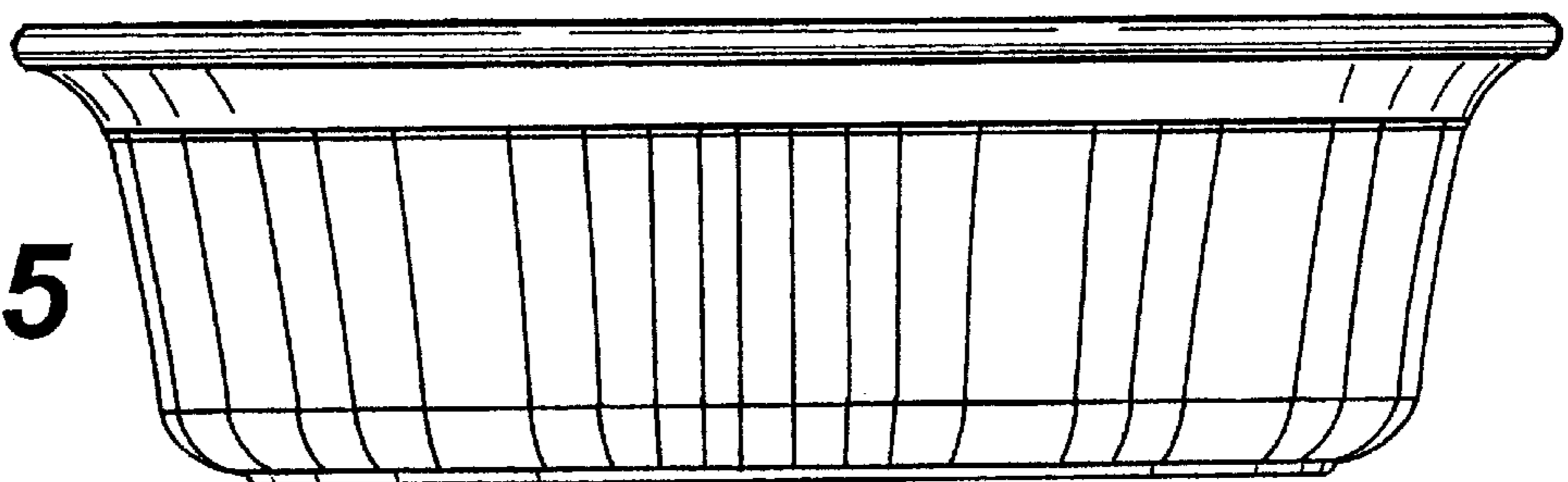


Fig. 5

Fig. 6

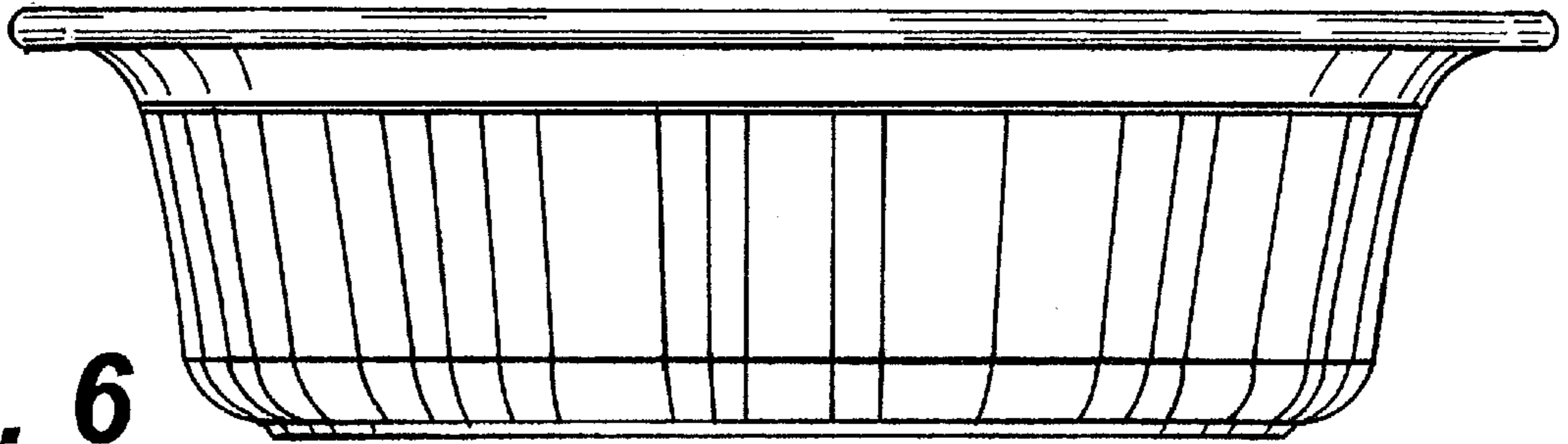


Fig. 7

