



US00D469312S

(12) **United States Design Patent**
Linberg et al.

(10) **Patent No.:** **US D469,312 S**

(45) **Date of Patent:** **** Jan. 28, 2003**

(54) **TRAY**

(76) Inventors: **Sjur H. Linberg**, Gaytor, 6 Brimstone Hill, Devonshire DV07 (BM); **Joanne E. Linberg**, Gaytor, 6 Brimstone Hill, Devonshire DV07 (BM)

(**) Term: **14 Years**

(21) Appl. No.: **29/167,376**

(22) Filed: **Sep. 13, 2002**

(51) **LOC (7) Cl.** **07-01**

(52) **U.S. Cl.** **D7/554.3; D7/552.2**

(58) **Field of Search** D7/554.3, 553.2, D7/552.2, 550.1, 357, 602, 360, 543, 545, 605, 603, 554.4; D6/406.6, 406.5; 108/25; 220/575, 500; 206/561, 521.15; D9/329; D12/425

(56) **References Cited**

U.S. PATENT DOCUMENTS

D182,626 S	*	4/1958	Salm et al.	D7/545
D191,123 S	*	8/1961	Jones	D7/554.3
D192,465 S	*	3/1962	Brady	D12/425
D193,795 S	*	10/1962	Brandon	D7/545
D207,593 S	*	5/1967	Douglas	D7/545
D219,050 S	*	10/1970	Beckman	D7/545
D221,349 S	*	8/1971	Bridges	D7/554.3
3,863,832 A	*	2/1975	Gordon et al.	229/125.35
4,024,731 A	*	5/1977	Branscum	62/457

D253,331 S		11/1979	Olschewski	D7/76
D253,927 S		1/1980	Conley	D7/37
4,265,390 A	*	5/1981	Faller et al.	229/169
D265,154 S		6/1982	Cox	D6/138
D287,937 S		1/1987	Sargent et al.	D9/375
D288,396 S	*	2/1987	Ritman	D7/586
D292,357 S	*	10/1987	Narain	D7/554.3
D315,073 S		3/1991	Goetz	D6/484
D322,383 S		12/1991	Jones	D7/605
D336,595 S		6/1993	Jones	D7/605
D355,854 S		2/1995	Baron et al.	D9/528
D390,718 S		2/1998	Howland et al.	D6/406
D453,308 S		2/2002	McCauley	D11/152

* cited by examiner

Primary Examiner—M. N. Pandozzi

(74) *Attorney, Agent, or Firm*—Stephen M. Nipper; Frank J. Dykas; Robert L. Shaver

(57) **CLAIM**

The ornamental design for a tray, as shown and described.

DESCRIPTION

FIG. 1 is a top, perspective view of the tray.

FIG. 2 is a top view of the tray.

FIG. 3 is a bottom view of the tray.

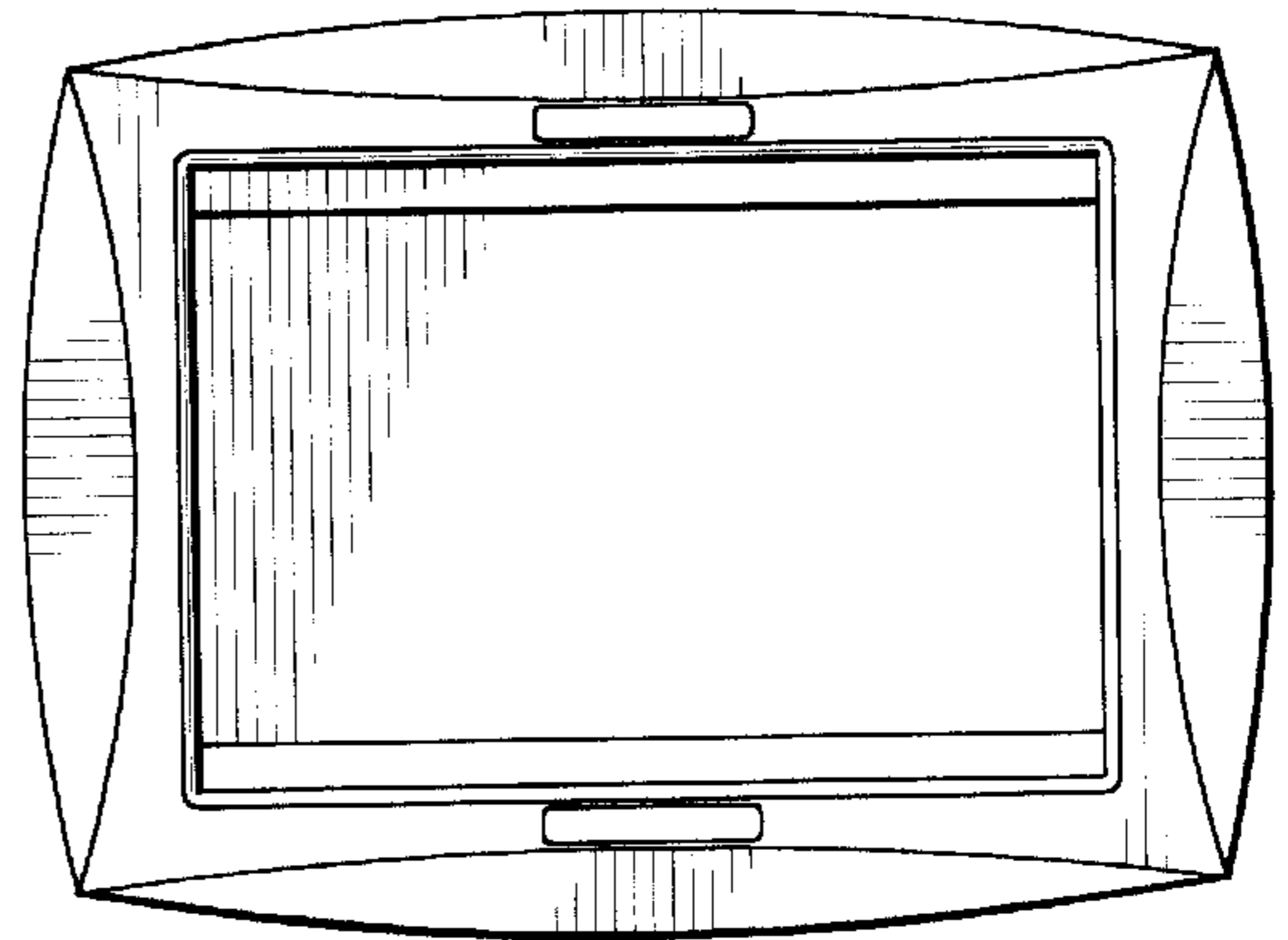
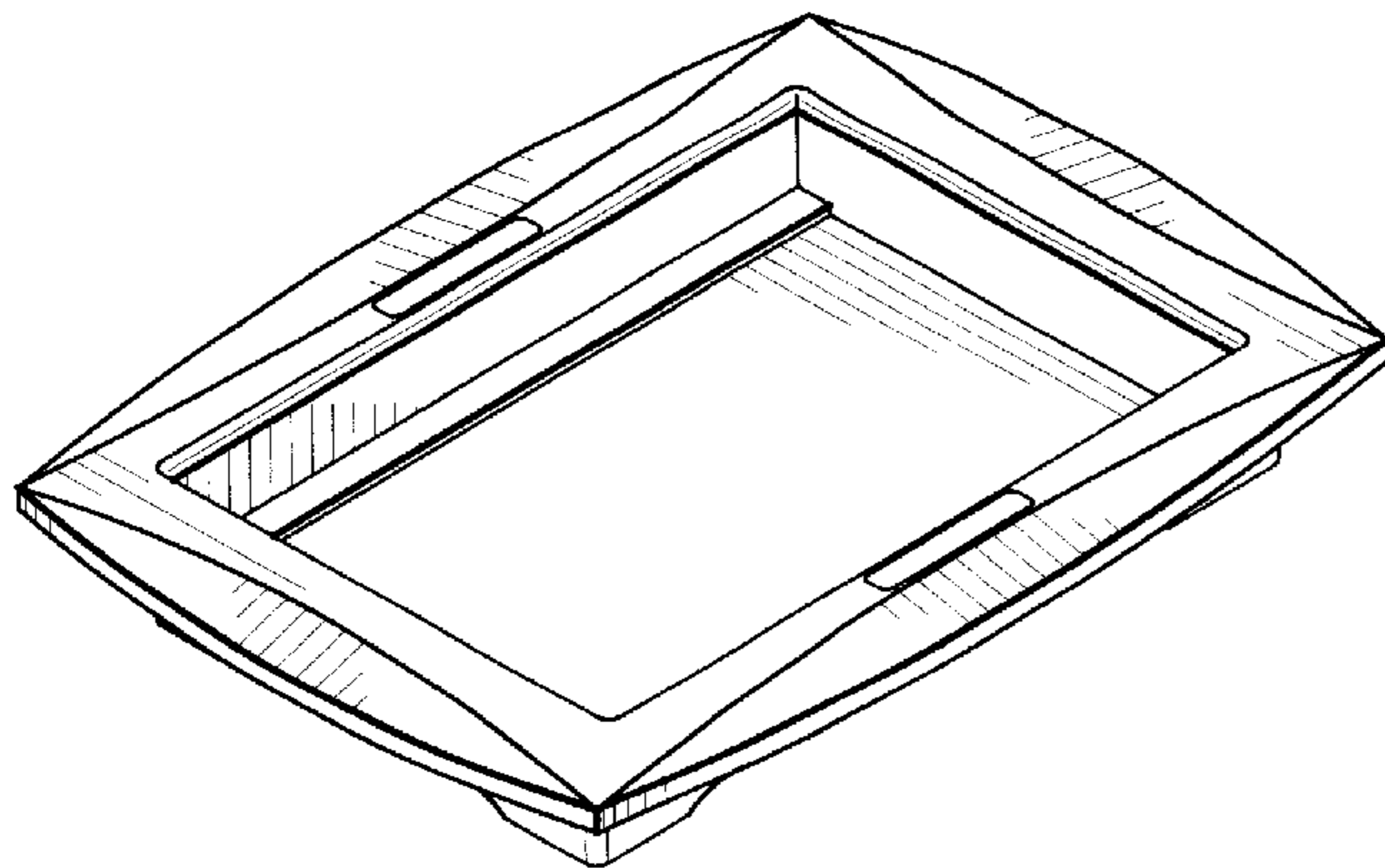
FIG. 4 is a first side view of the tray.

FIG. 5 is a second side view of the tray.

FIG. 6 is a first end view of the tray; and,

FIG. 7 is a second end view of the tray.

1 Claim, 2 Drawing Sheets



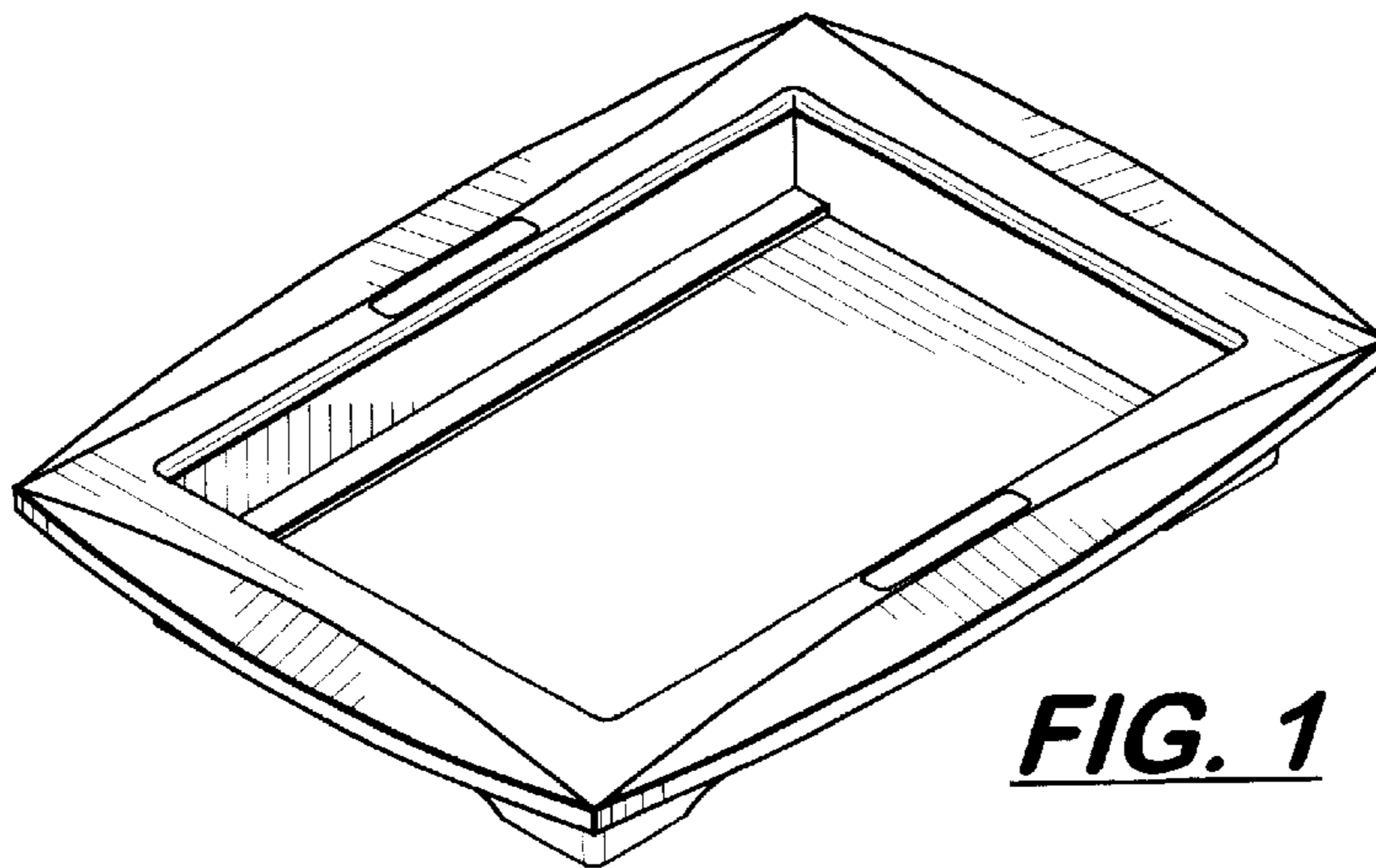


FIG. 1

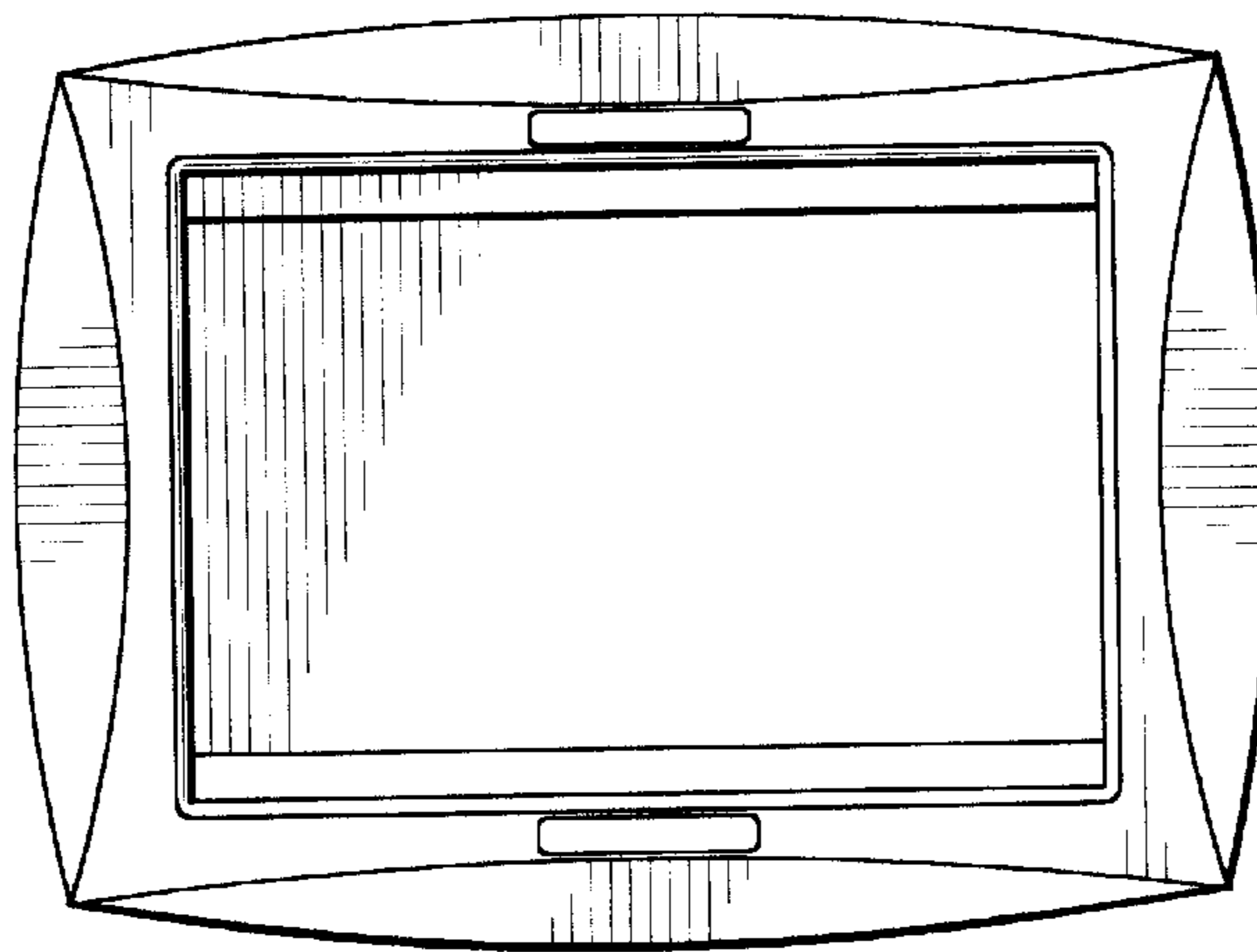


FIG. 2

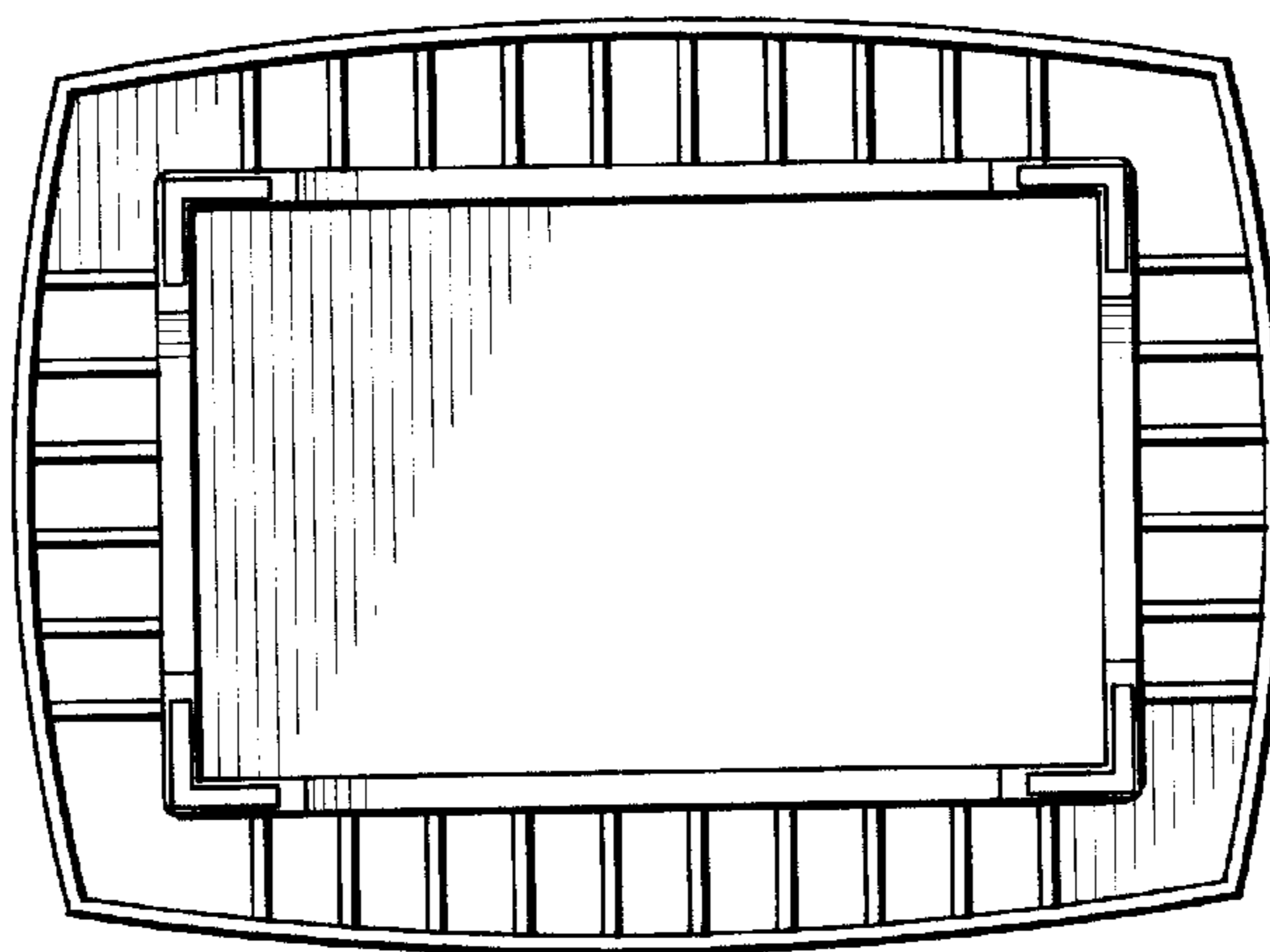


FIG. 3

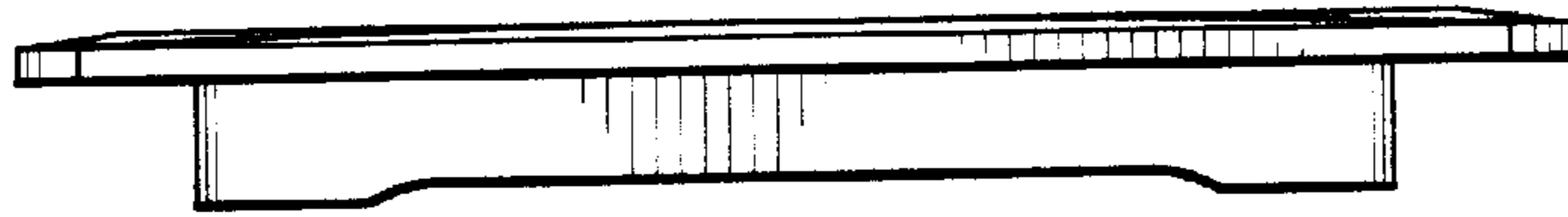


FIG. 4

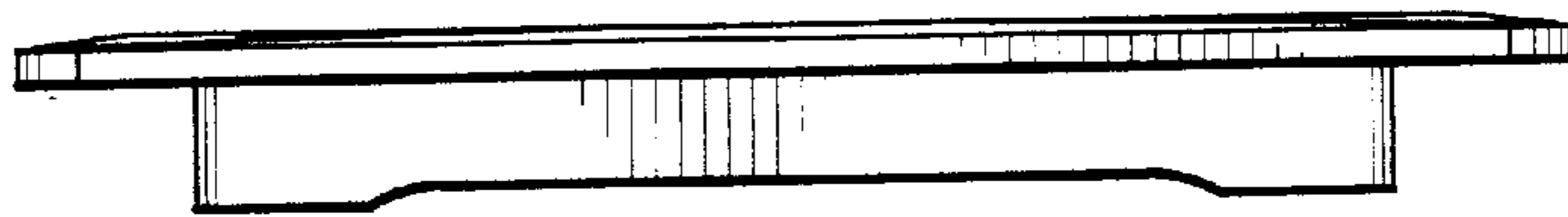


FIG. 5

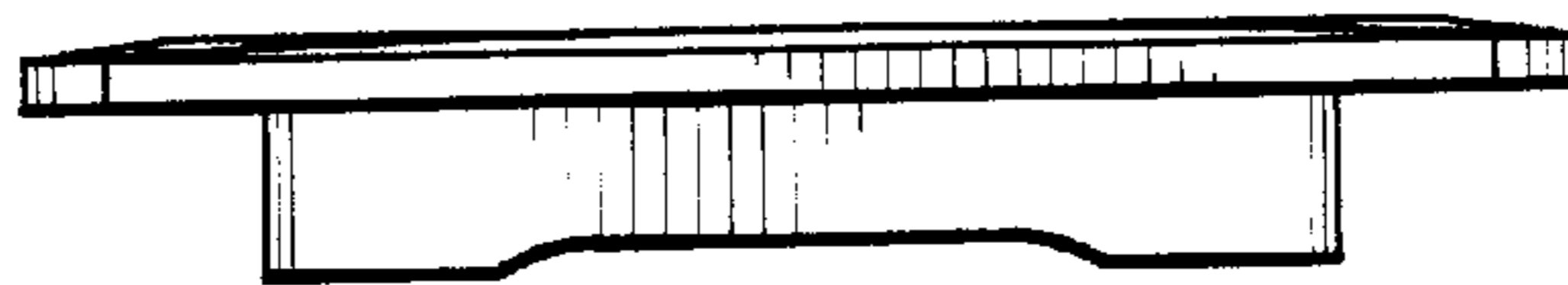


FIG. 6

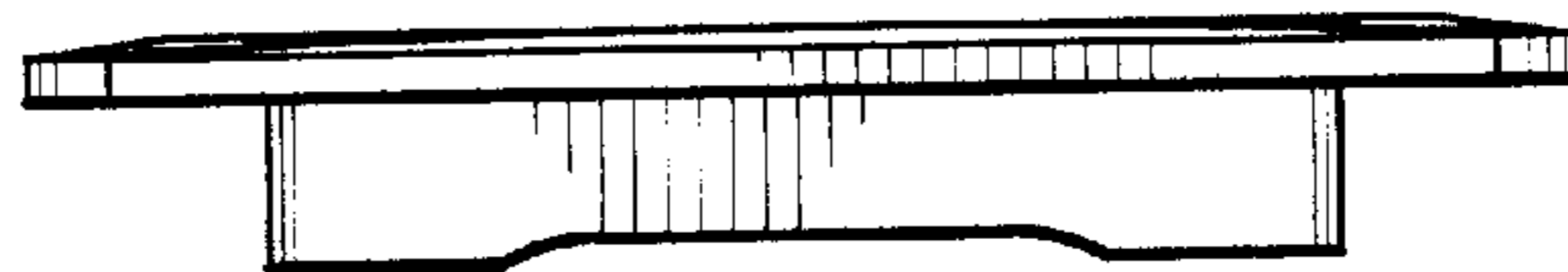


FIG. 7