



US00D469310S

(12) **United States Design Patent**
Bukowski

(10) **Patent No.:** **US D469,310 S**

(45) **Date of Patent:** **** Jan. 28, 2003**

- (54) **TRAY FOR FOOD PRODUCTS**
- (75) Inventor: **Todd M. Bukowski**, Oak Park, IL (US)
- (73) Assignee: **Kraft Foods Holdings, Inc.**, Northfield, IL (US)
- (**) Term: **14 Years**
- (21) Appl. No.: **29/161,705**
- (22) Filed: **Jun. 3, 2002**

- 4,989,742 A 2/1991 Powell
- 5,119,967 A 6/1992 Ercolani
- 5,259,528 A 11/1993 Pace et al.
- D346,934 S 5/1994 Littlejohn
- D349,456 S 8/1994 Wilson
- D353,742 S 12/1994 Lewis et al.
- 5,390,798 A 2/1995 Yanuzzi
- 5,429,266 A 7/1995 D'Oliveira et al.
- 5,551,593 A 9/1996 Wiens
- 5,598,944 A 2/1997 Aragona
- 5,697,512 A 12/1997 Brickley
- D393,181 S 4/1998 Panta
- D398,481 S 9/1998 Brown et al.
- D405,621 S 2/1999 Myers
- 5,971,139 A 10/1999 Bradley
- D420,855 S 2/2000 Hurley
- D429,147 S 8/2000 Baker et al.
- D438,029 S 2/2001 Brev et al.

Related U.S. Application Data

- (63) Continuation of application No. 29/141,629, filed on May 9, 2001, now abandoned.
- (51) **LOC (7) Cl.** **07-01**
- (52) **U.S. Cl.** **D7/553.1; D7/555**
- (58) **Field of Search** **D7/505, 500, 550.1, D7/553.1, 553.4, 553.5, 553.6, 553.7, 553.8, 554.1, 554.2, 555; 206/557, 561, 562, 563, 564; 220/500, 507, 512, 23.8, 23.83, 574, 575, 904, 556, 738; D9/341**

Primary Examiner—Doris V. Coles
Assistant Examiner—Elizabeth A. Albert
 (74) *Attorney, Agent, or Firm*—Fitch, Even, Tabin & Flannery

CLAIM

(57) We claim the ornamental design for a tray for food products, as shown.

DESCRIPTION

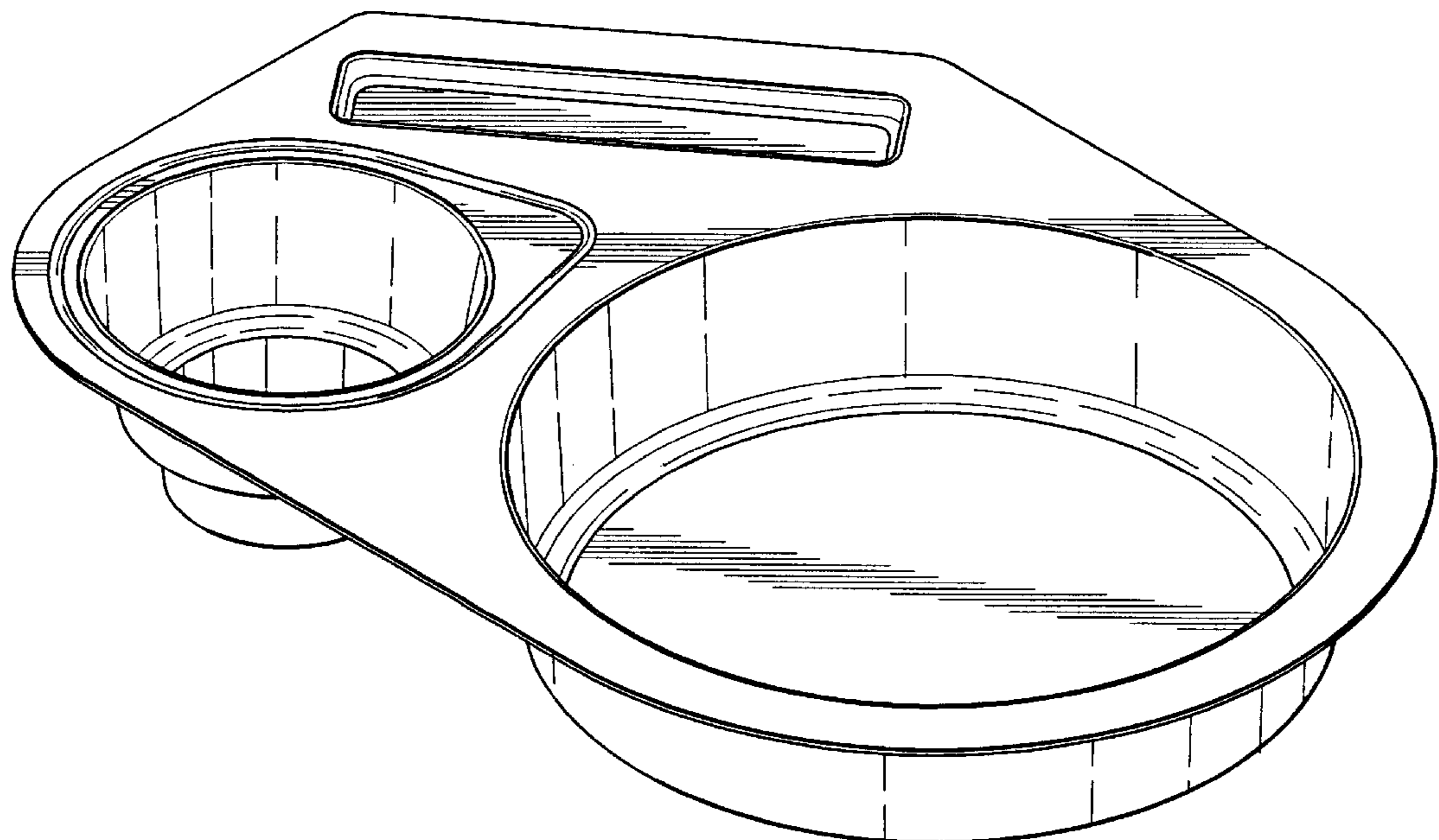
FIG. 1 is a perspective view of a tray for food products showing my new design;
 FIG. 2 is a top plan view thereof;
 FIG. 3 is a bottom plan view thereof;
 FIG. 4 is a view from one side thereof;
 FIG. 5 is a view from the other side thereof;
 FIG. 6 is front elevational view thereof; and,
 FIG. 7 is a rear elevational view thereof.

1 Claim, 3 Drawing Sheets

(56) **References Cited**

U.S. PATENT DOCUMENTS

- 956,858 A 5/1910 Kauffmann
- D216,869 S 3/1970 Britt
- 3,944,109 A 3/1976 Holz
- 3,955,672 A 5/1976 Brundage
- 4,219,144 A 8/1980 Hagelberg
- D273,765 S 5/1984 Cillario
- D292,379 S 10/1987 Pollitt
- 4,732,274 A 3/1988 Bouton
- 4,867,331 A 9/1989 Task
- D307,529 S 5/1990 Baetens



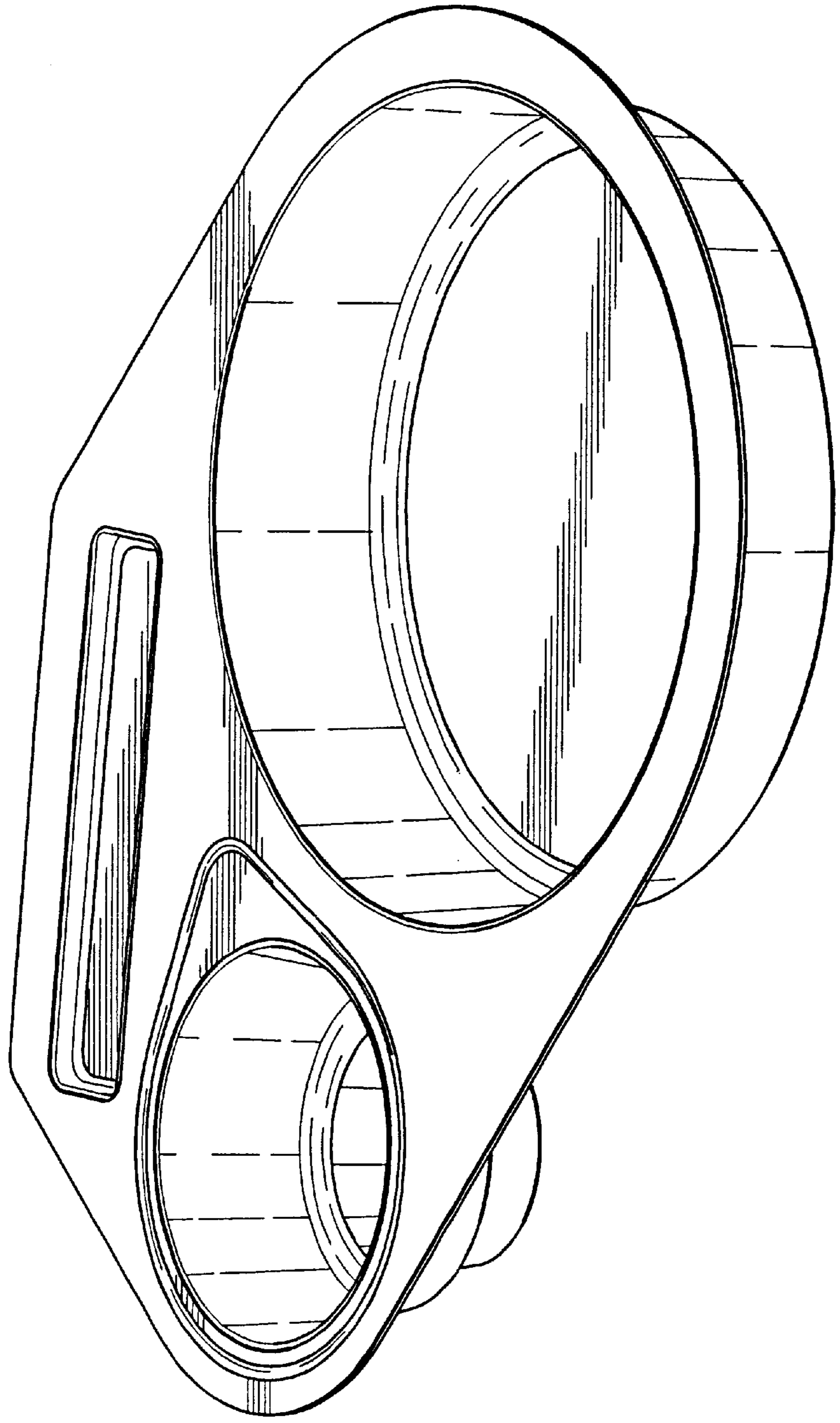


Fig. 1

Fig. 3

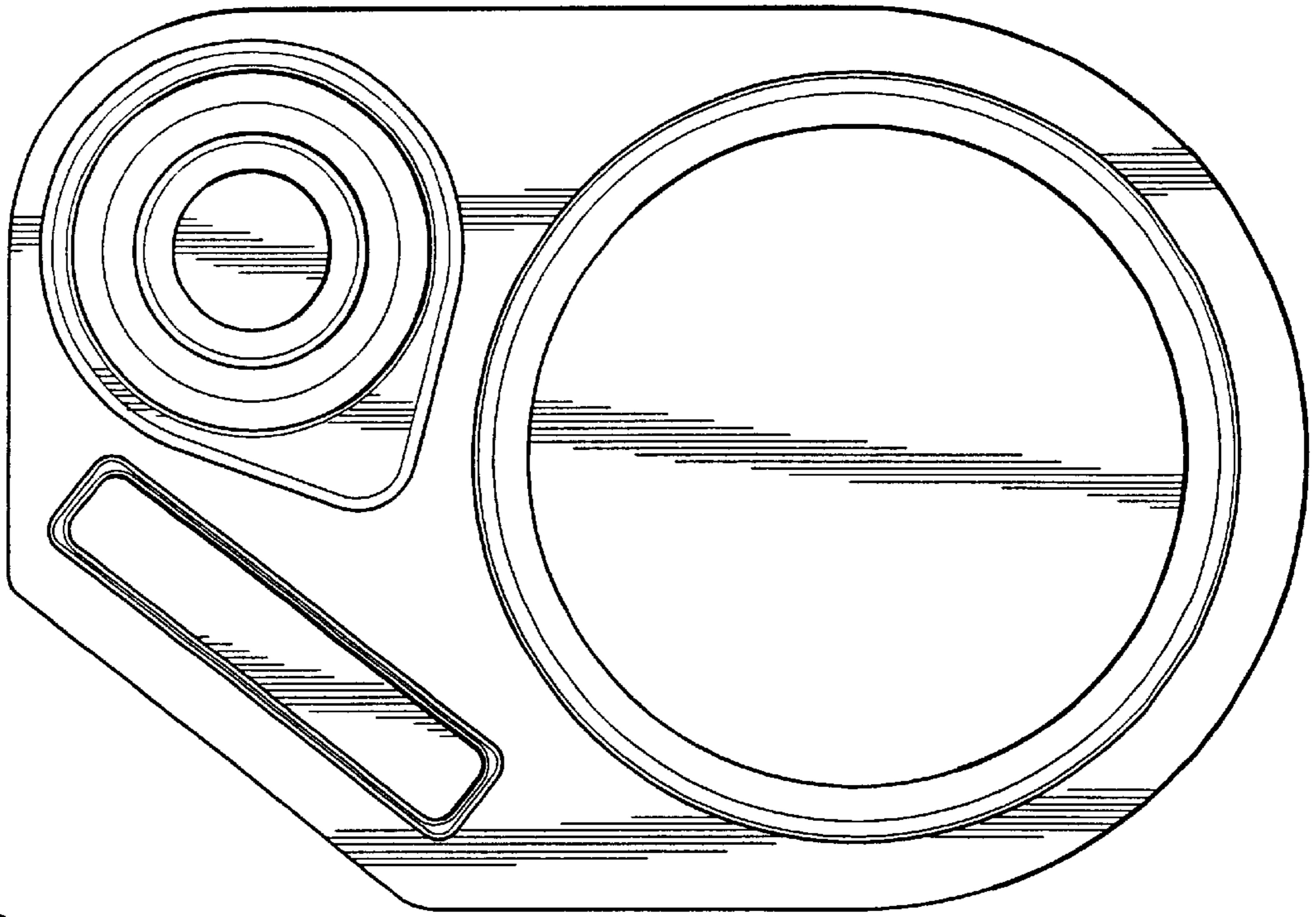


Fig. 2

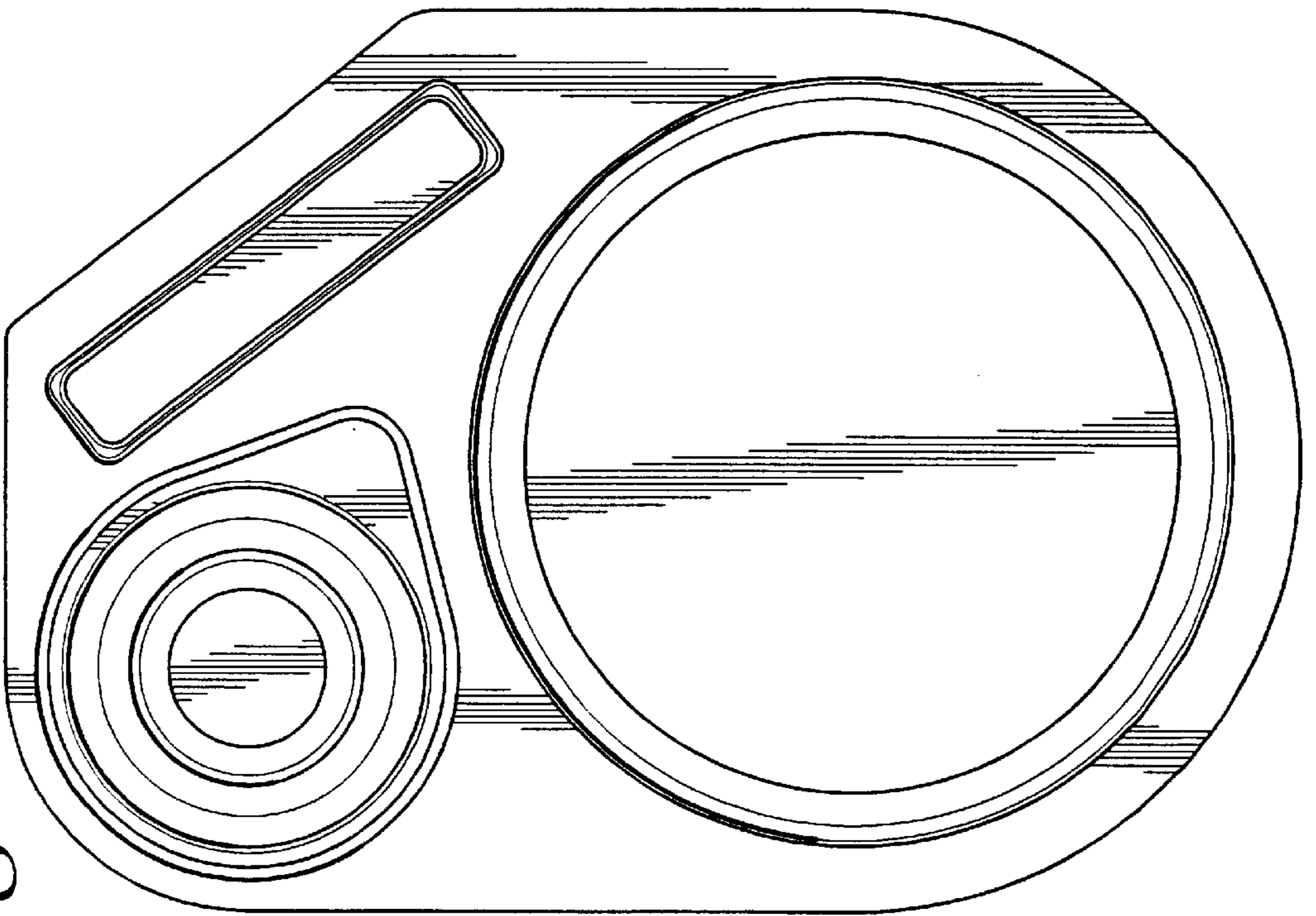


Fig. 4

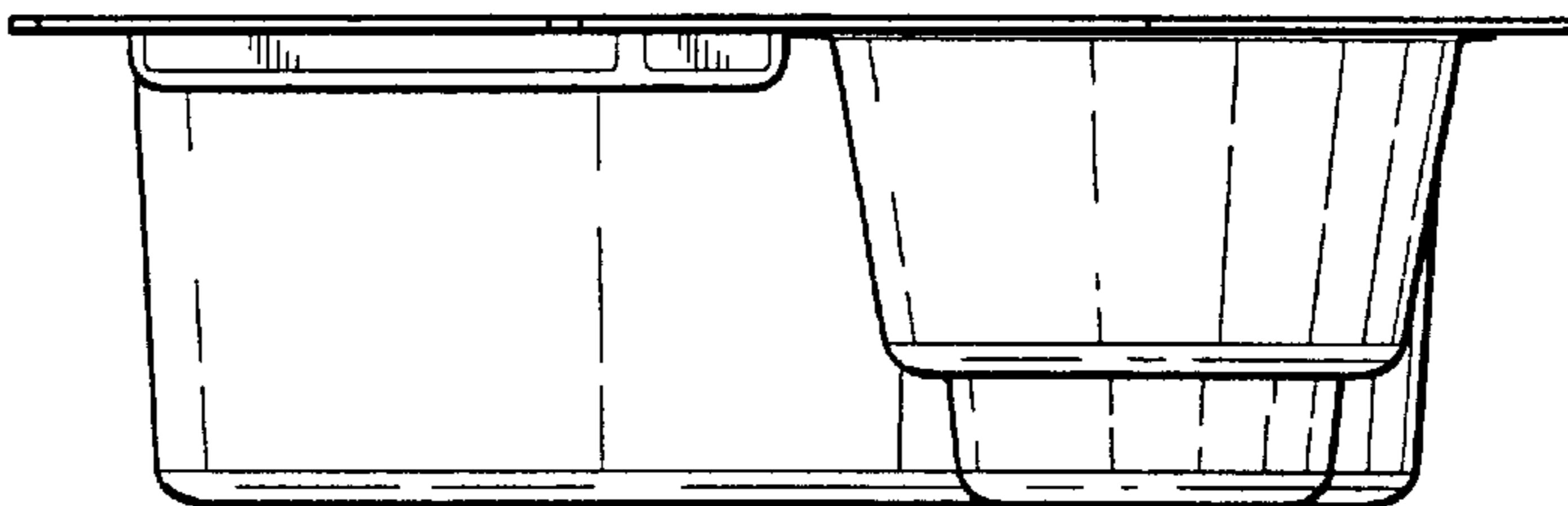


Fig. 5

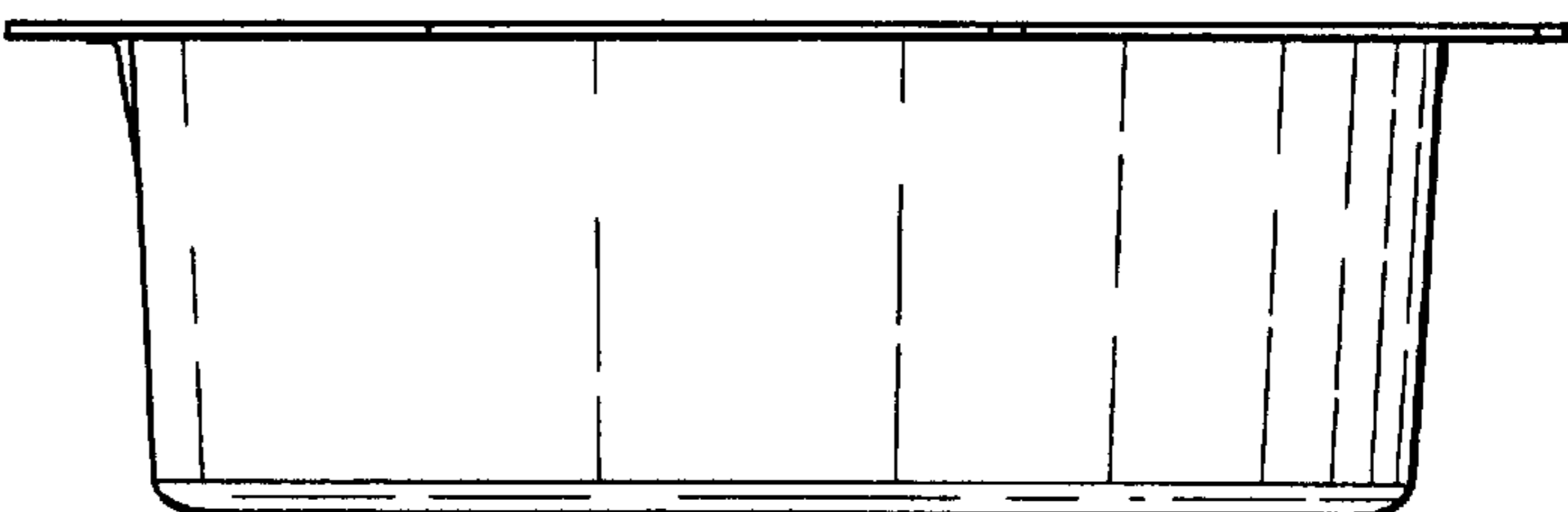


Fig. 6

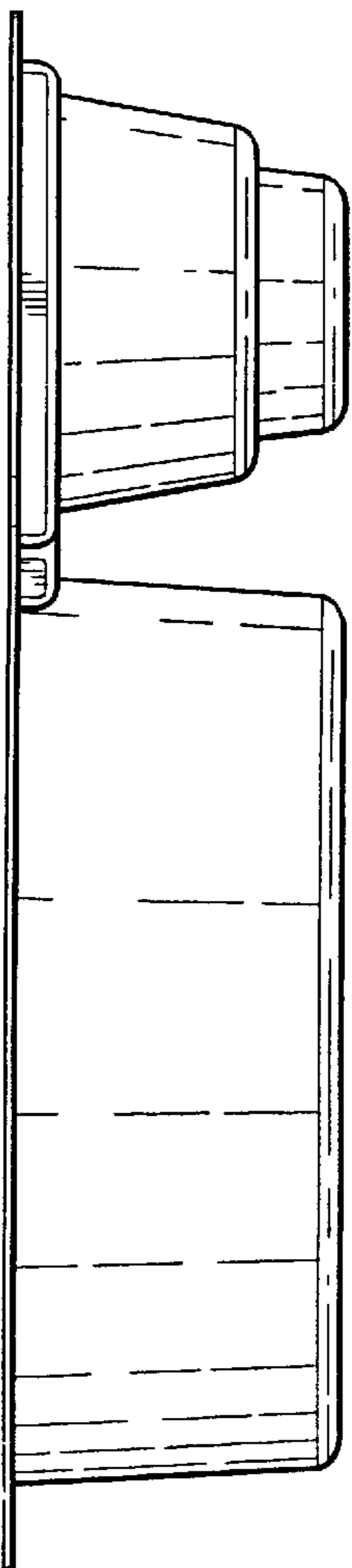


Fig. 7

