

US00D469306S

(12) **United States Design Patent**
Lipson

(10) **Patent No.:** **US D469,306 S**

(45) **Date of Patent:** **** Jan. 28, 2003**

(54) **FLOWERPOT SHAPED DRINK CONTAINER WITH STRAW**

(75) Inventor: **Erik Lipson**, Malvern, PA (US)

(73) Assignee: **Fun-Time International, Inc.**, Philadelphia, PA (US)

(**) Term: **14 Years**

(21) Appl. No.: **29/160,501**

(22) Filed: **May 13, 2002**

(51) **LOC (7) Cl.** **07-01**

(52) **U.S. Cl.** **D7/507; D7/515; D7/510; D7/511**

(58) **Field of Search** D7/300.2, 510, D7/511, 509, 507, 514, 512, 515, 533, 536, 532, 535; 202/78, 382, 402.1; 220/703, 710, 705; 239/33

(56) **References Cited**

U.S. PATENT DOCUMENTS

3,425,626	A	*	2/1969	Dietz et al.	239/33
D217,216	S	*	4/1970	Cohen	D7/300.2
D217,317	S	*	4/1970	Homorodean, Jr. et al.	D7/300.2
3,606,156	A	*	9/1971	Homorodean, Jr. et al.	..	239/33
D279,250	S	*	6/1985	Holloway	D7/507
4,576,336	A	*	3/1986	Cohen et al.	239/33
D332,893	S	*	2/1993	Patternson	D7/510
D355,332	S	*	2/1995	Landivar et al.	D7/510
D360,558	S	*	7/1995	Appleman	D7/507
D362,580	S	*	9/1995	Lipson	D7/300.2
D363,406	S	*	10/1995	Lipson	D7/300.2
D372,624	S	*	8/1996	Chein	D7/300.2
D385,748	S	*	11/1997	Iodice et al.	D7/510
D389,365	S	*	1/1998	Lipson	D7/300.2

D389,366	S	*	1/1998	Lipson	D7/300.2
6,042,018	A	*	3/2000	Weinstein	239/33
D429,603	S	*	8/2000	Lipson	D7/507
D430,986	S	*	9/2000	Lipson	D7/300.2
D431,417	S	*	10/2000	Lipson	D7/507
D440,465	S	*	4/2001	La Torre et al.	D7/523
D453,093	S	*	1/2002	Lipson	D7/507
D459,138	S	*	6/2002	Lipson	D7/300.2

* cited by examiner

Primary Examiner—M. N. Pandozzi

(74) *Attorney, Agent, or Firm*—Gifford, Krass, Groh, Sprinkle, Anderson & Citkowski, P.C.

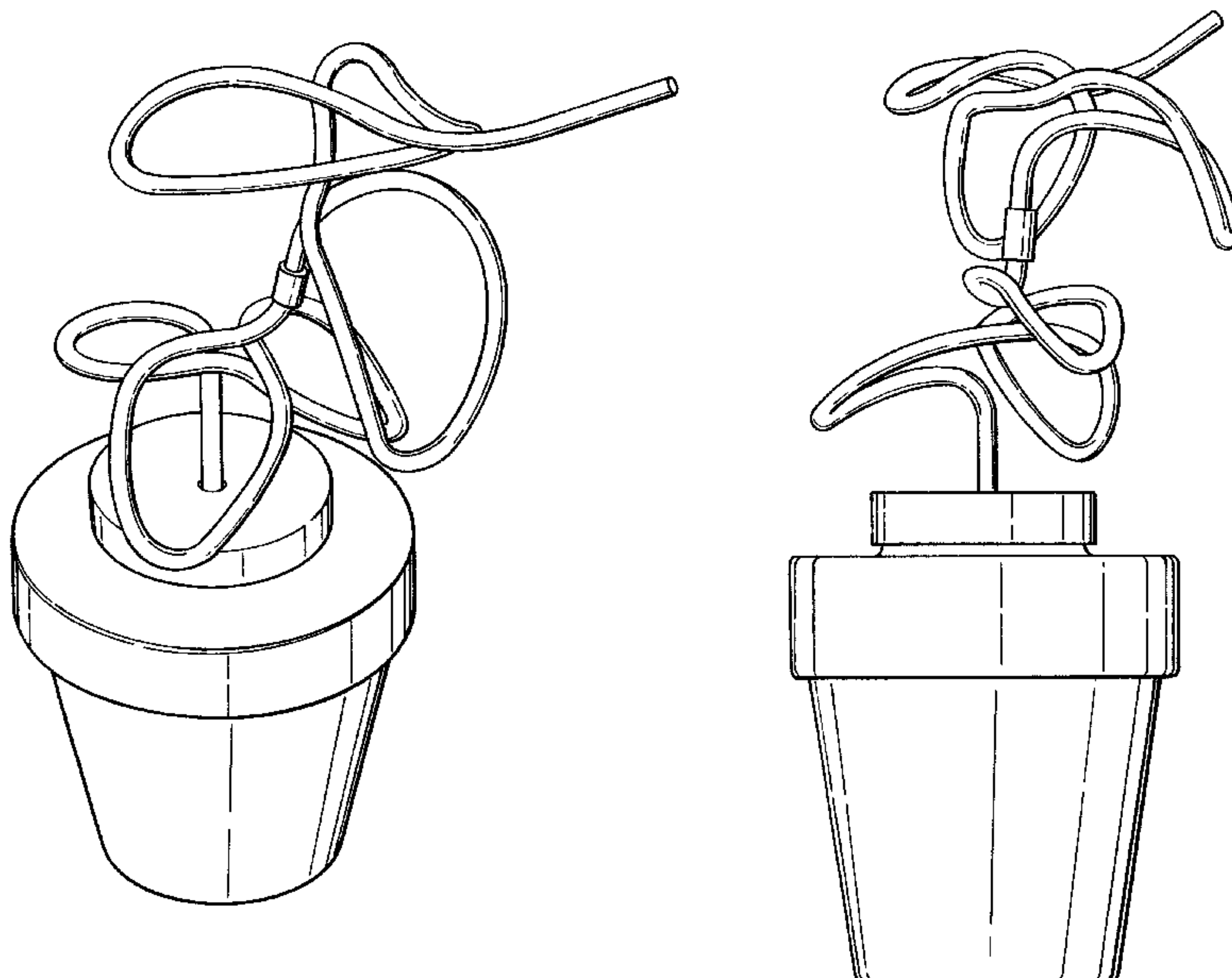
(57) **CLAIM**

I claim the ornamental design for a flowerpot shaped drink container with straw, as shown.

DESCRIPTION

FIG. 1 is a perspective view of a flowerpot shaped drink container with straw according to my new design;
 FIG. 2 is a front view of the flowerpot shaped drink container with straw of FIG. 1;
 FIG. 3 is a left side view of flowerpot shaped drink container with straw of FIG. 1;
 FIG. 4 is a rear view of the flowerpot shaped drink container with straw of FIG. 1;
 FIG. 5 is a right side view of the flowerpot shaped drink container with straw of FIG. 1;
 FIG. 6 is a top view of the flowerpot shaped drink container with straw of FIG. 1;
 FIG. 7 is a bottom view of the flowerpot shaped drink container with straw of FIG. 1; and,
 FIG. 8 is a perspective view of the flowerpot shaped drink container with straw of FIG. 1 with the straw and lid removed from the flowerpot to show internal structures.

1 Claim, 4 Drawing Sheets



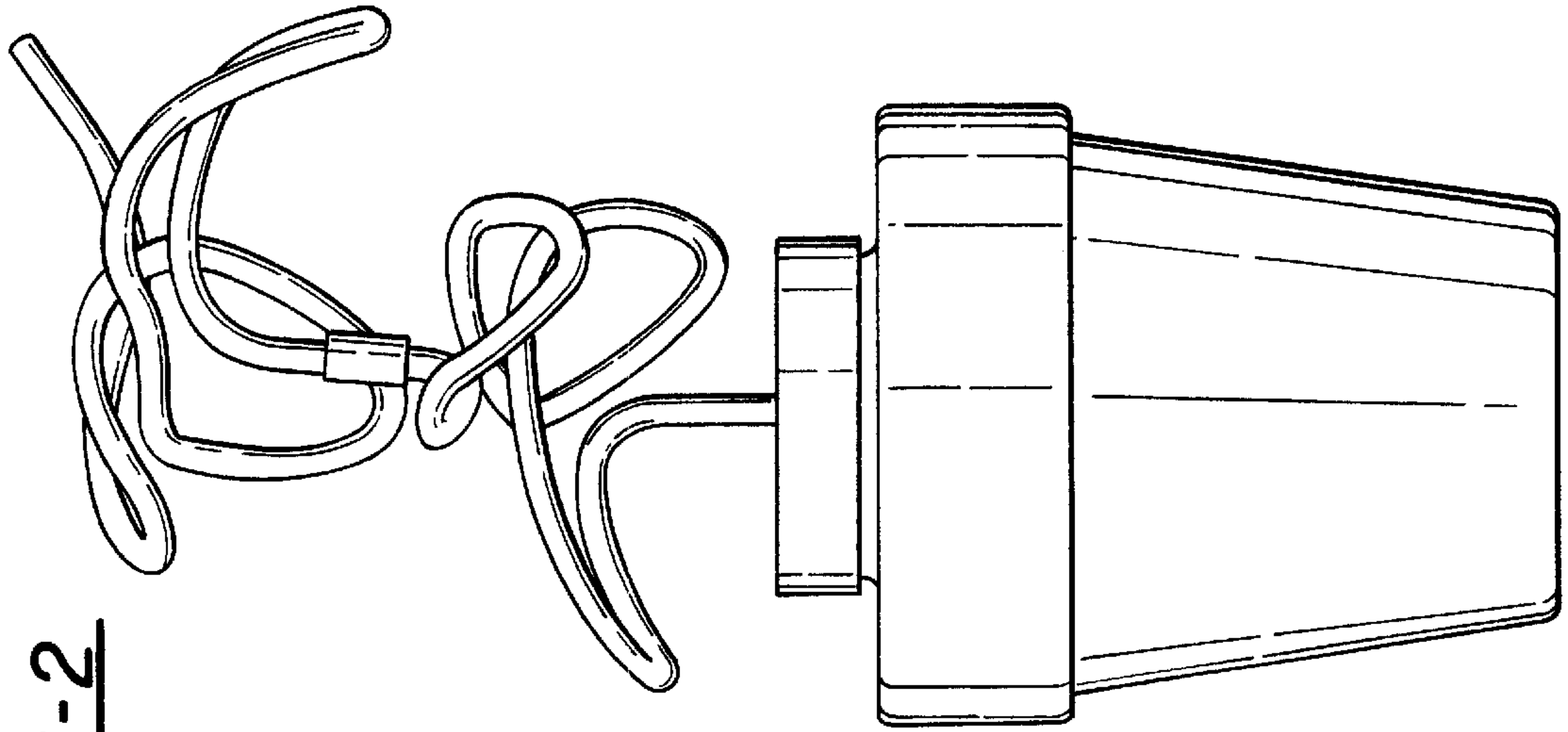


FIG-2

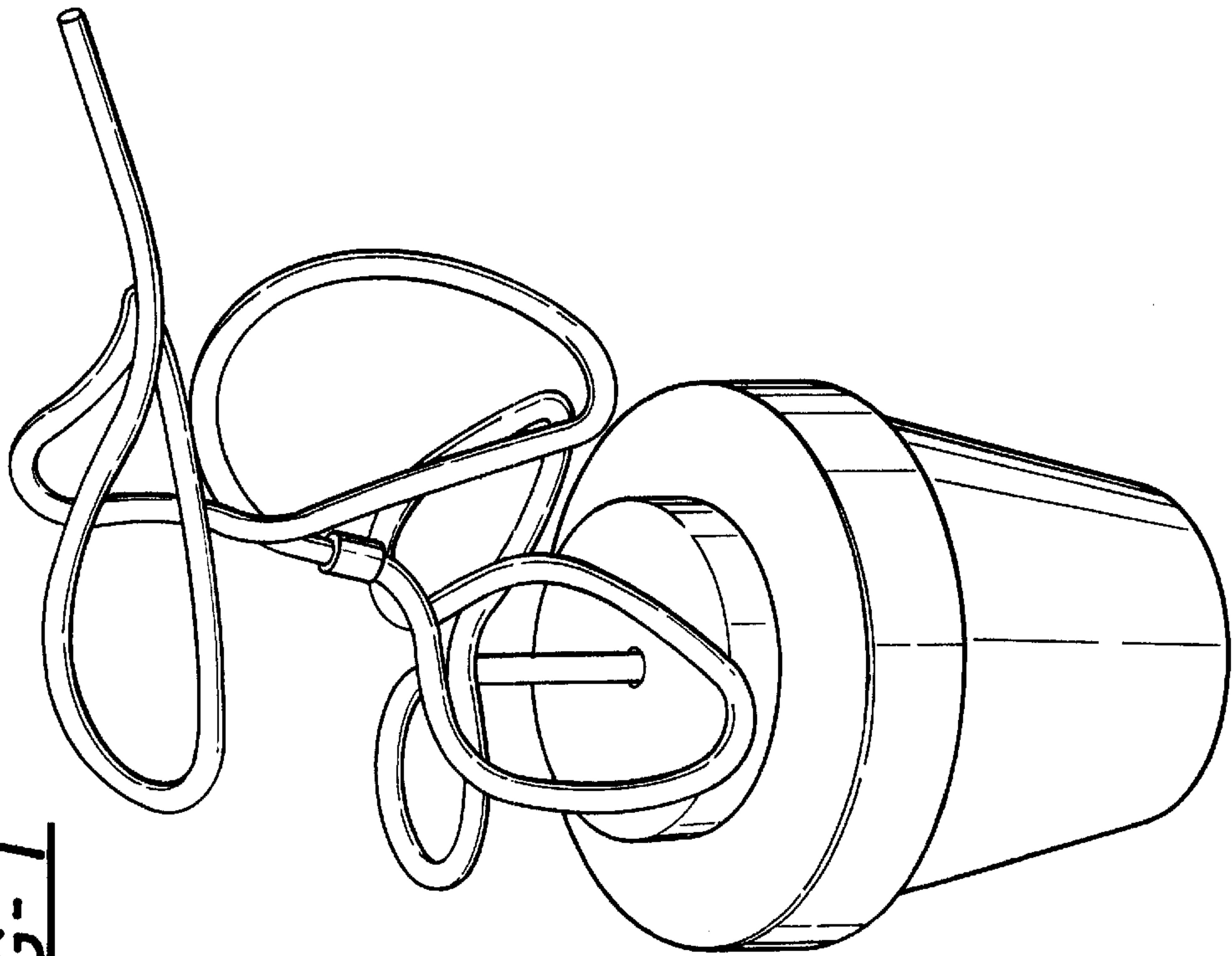


FIG-1

FIG - 4

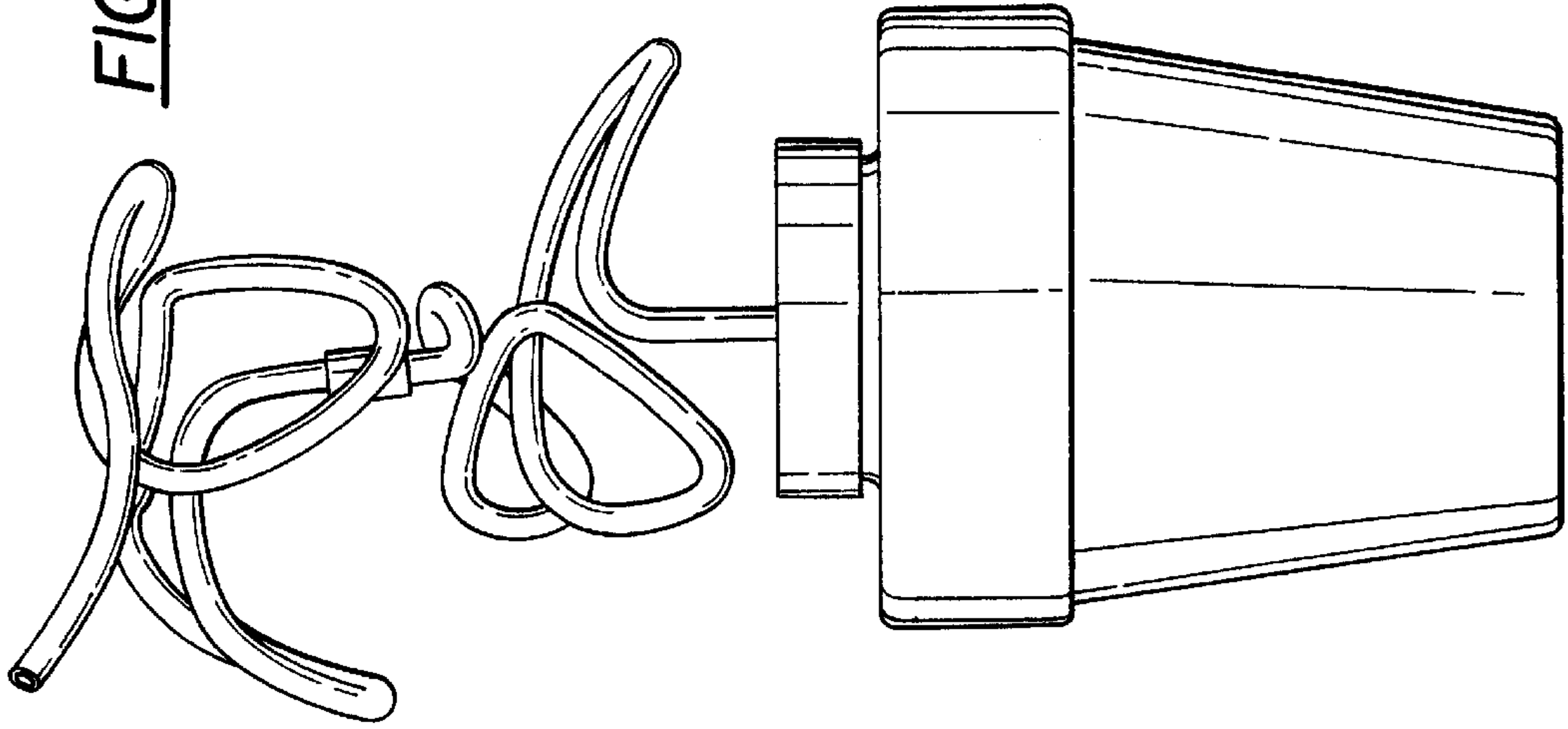
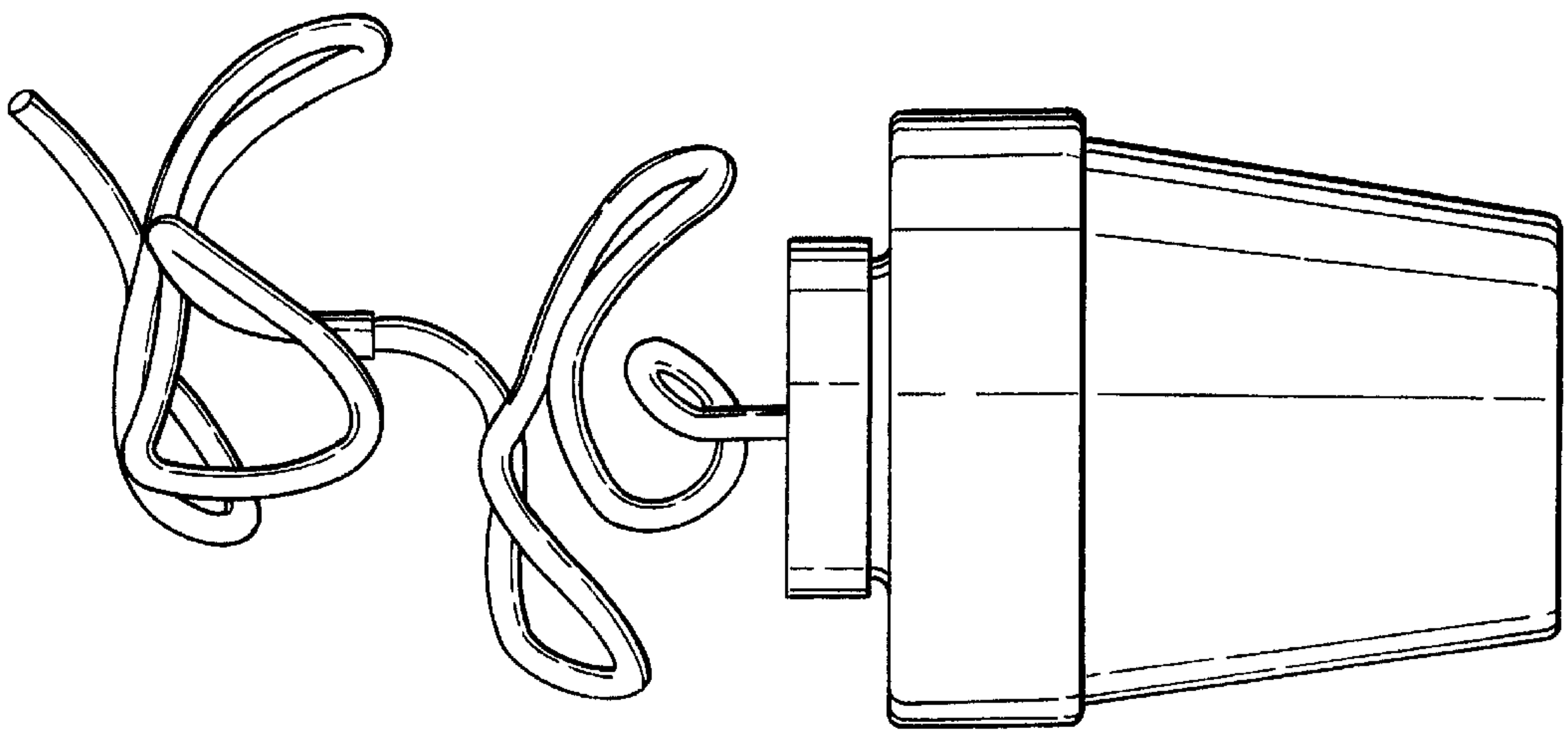


FIG- 3



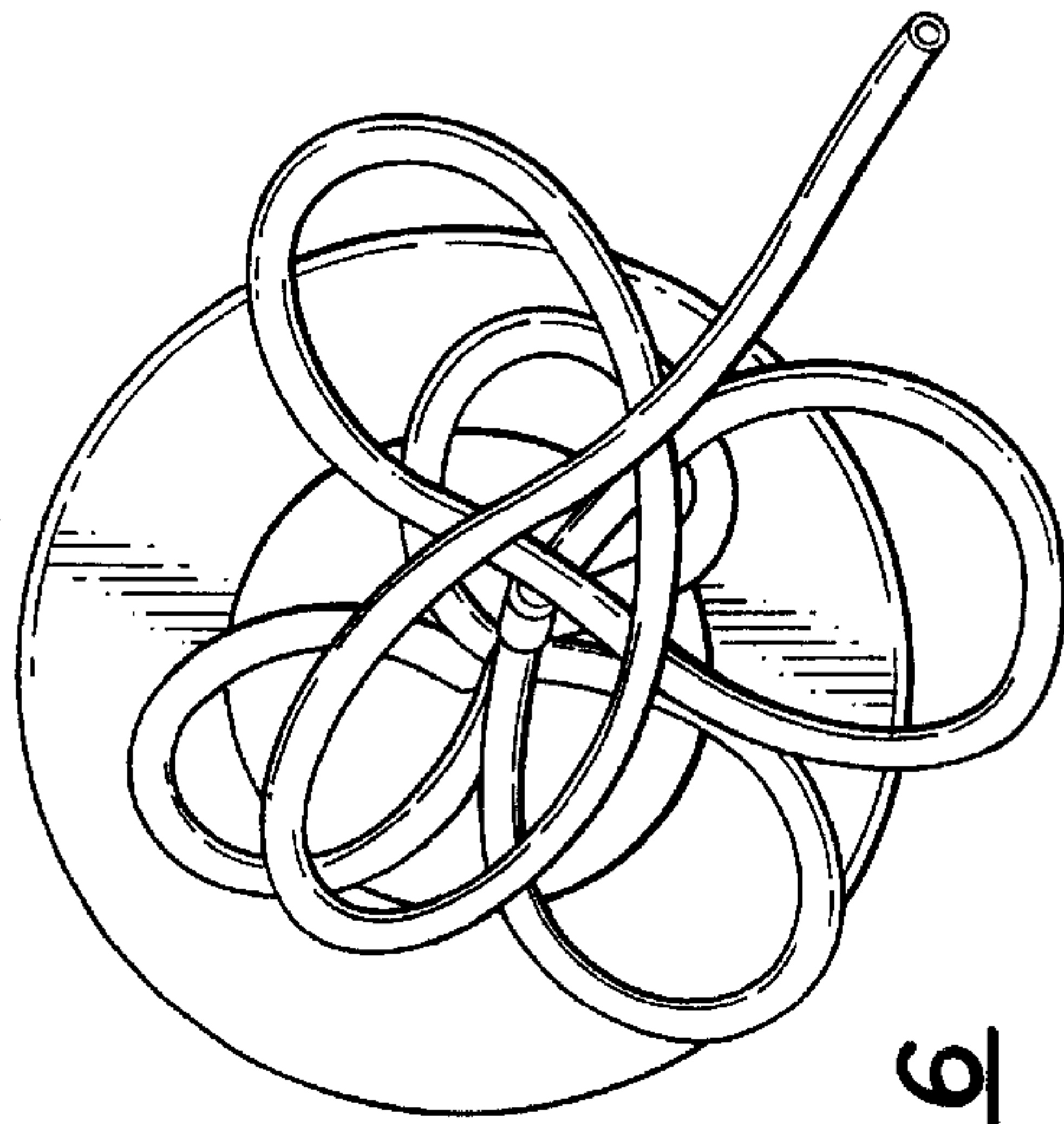


FIG-6

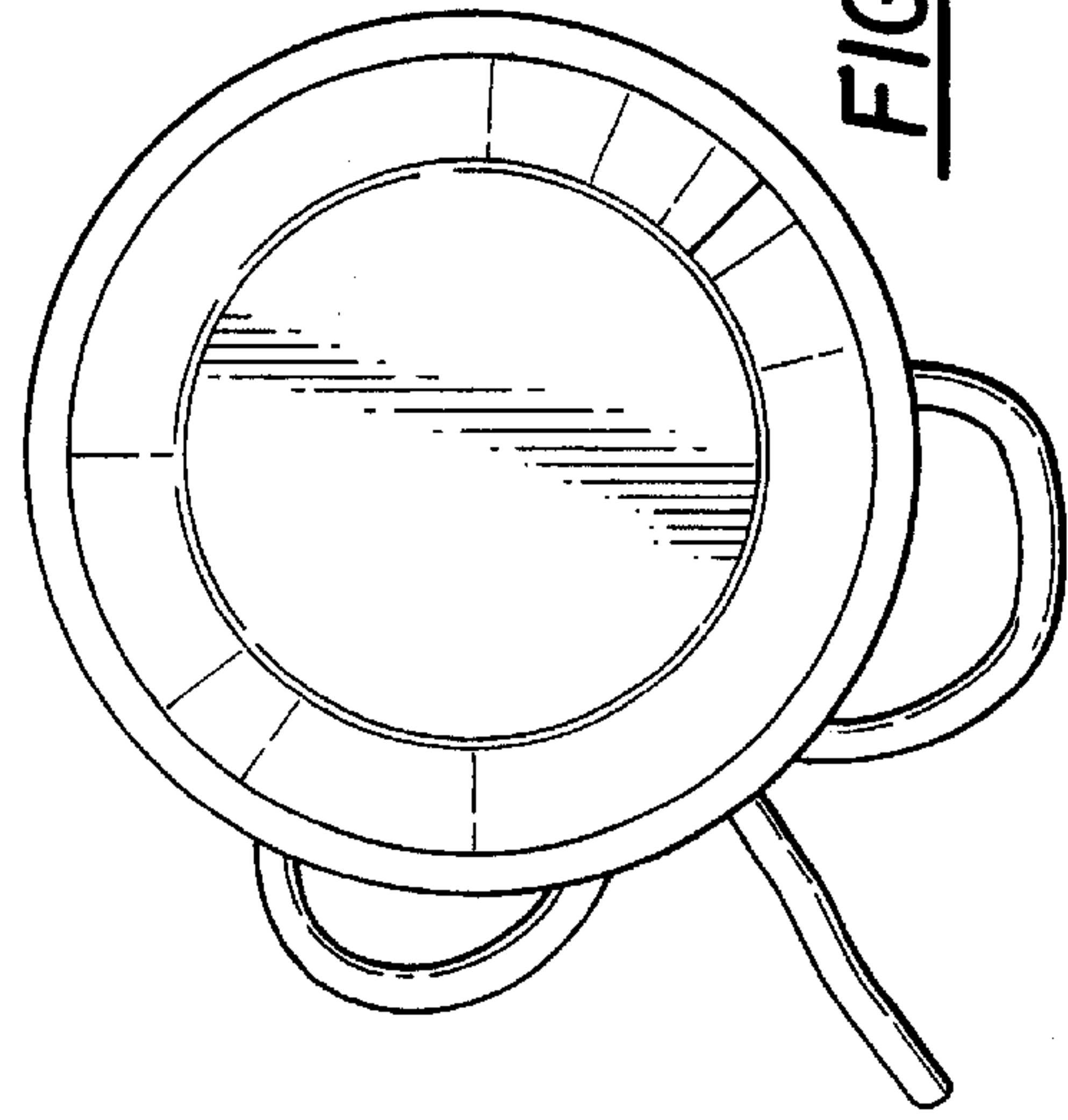


FIG-7

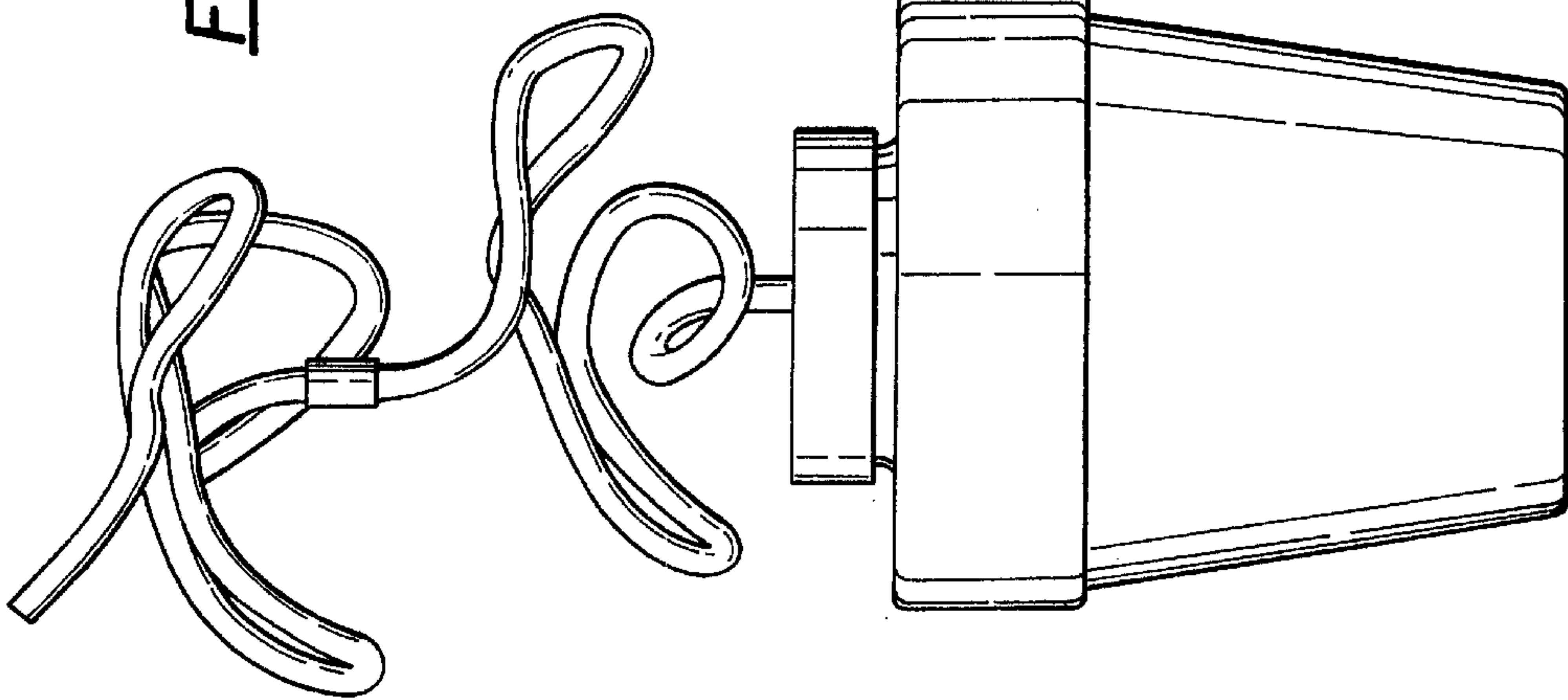


FIG-5

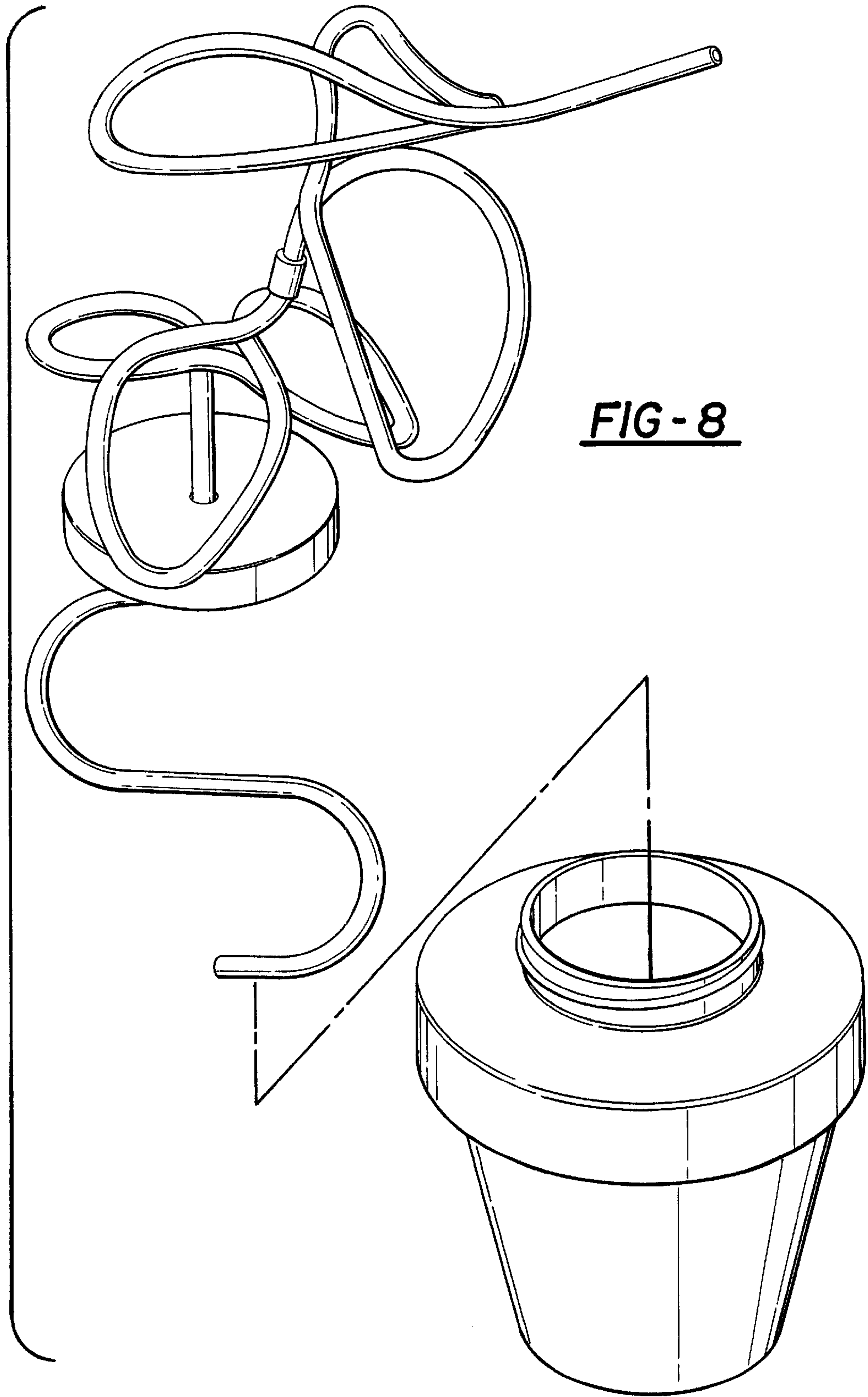


FIG - 8