



US00D469304S

(12) **United States Design Patent**
Becker et al.

(10) **Patent No.:** **US D469,304 S**

(45) **Date of Patent:** **** Jan. 28, 2003**

(54) **COMBINATION GLASS COOKTOP AND PLASTIC PERIPHERAL FRAME FOR A COOKING APPLIANCE**

D462,866 S * 9/2002 Resuello D7/346

* cited by examiner

(75) Inventors: **Theodore A. Becker**, Cleveland, TN (US); **Inho Andy Shin**, Cleveland, TN (US); **Jeffrey Ware**, Chattanooga, TN (US); **Jerry Woodby**, Cleveland, TN (US)

Primary Examiner—Catherine R. Oliver
(74) *Attorney, Agent, or Firm*—Diederiks & Whitelaw, PLC

(73) Assignee: **Maytag Corporation**, Newton, IA (US)

(57) **CLAIM**

(**) Term: **14 Years**

The ornamental design for a combination glass cooktop and plastic peripheral frame for a cooking appliance, as shown and described.

(21) Appl. No.: **29/155,556**

DESCRIPTION

(22) Filed: **Feb. 14, 2002**

FIG. 1 is a top right perspective view of our new combination glass cooktop and plastic peripheral frame design for a cooking appliance;

(51) **LOC (7) Cl.** **07-02**

(52) **U.S. Cl.** **D7/407**

FIG. 2 is an upper right perspective view of the combination glass cooktop and plastic peripheral frame of FIG. 1;

(58) **Field of Search** D7/409, 346–408, D7/339–345; 126/1 R, 39 B, 39 BA, 39 C, 39 H, 39 E, 211, 214 R, 39 J; 219/443, 446, 478, 466, 480, 464

FIG. 3 is a front elevational view of the combination glass cooktop and plastic peripheral frame of FIGS. 1 and 2, with the rear elevational view being identical;

(56) **References Cited**

U.S. PATENT DOCUMENTS

5,036,831	A	*	8/1991	Ray	126/211
5,261,387	A	*	11/1993	Gressenich	126/39 H
5,549,100	A	*	8/1996	Heisner et al.	126/39 J
D384,239	S	*	9/1997	Wilsdorf	D7/346
D396,989	S	*	8/1998	Deo et al.	D7/346
6,257,228	B1	*	7/2001	Braccini	126/211
6,263,869	B1	*	7/2001	Abernethy	126/211
D451,332	S	*	12/2001	Busalt	D7/346

FIG. 4 is a top plan view of the combination glass cooktop and plastic peripheral frame of the invention; and,

FIG. 5 is a right side elevational view of the combination glass cooktop and plastic peripheral frame of the invention, with the left side elevational view being a mirror image thereof.

The broken lines showing the overall cabinet, control knobs, front control panel, heating element zones, and front door/handle assembly are for illustrative purposes only and form no part of the claimed invention.

1 Claim, 2 Drawing Sheets

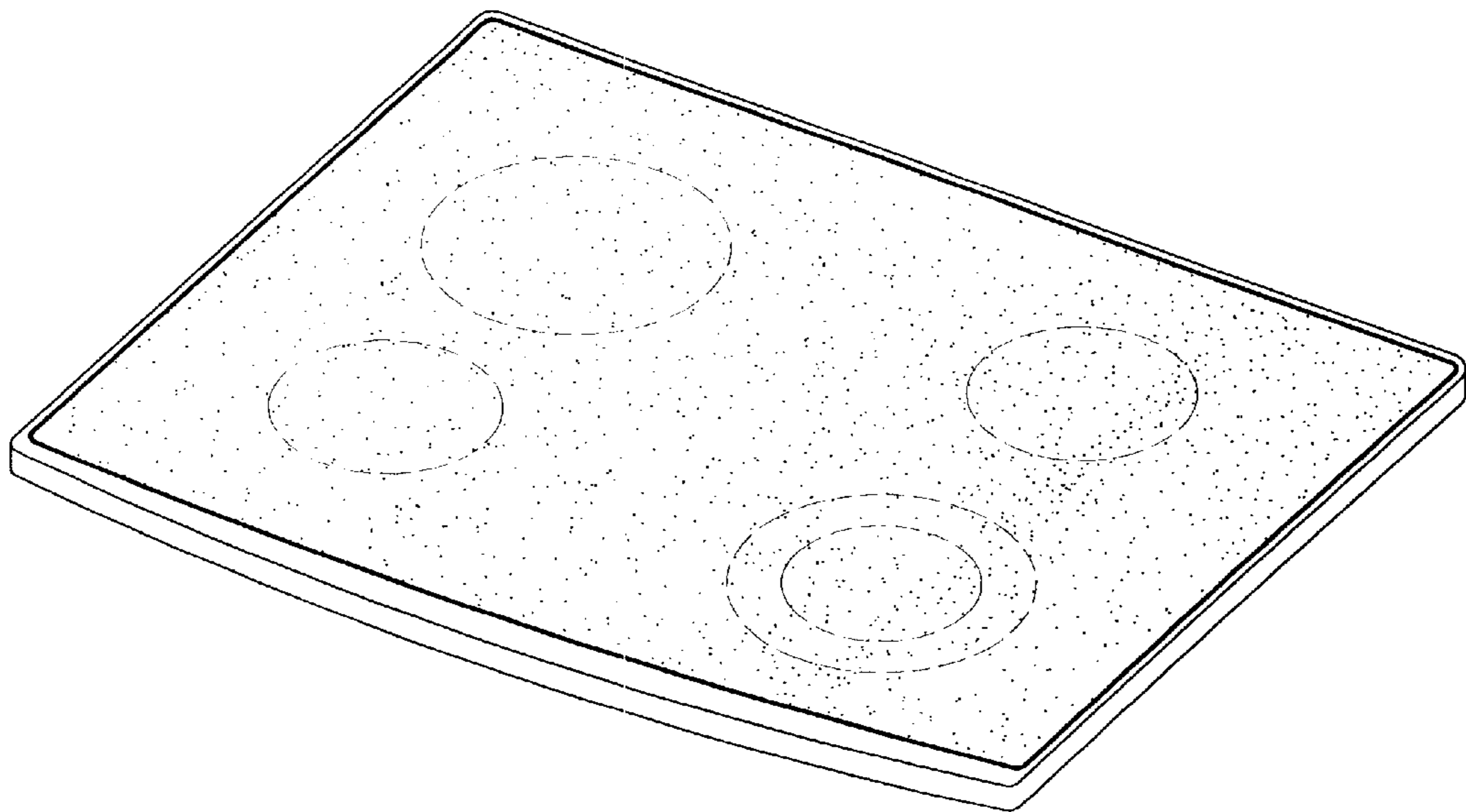


FIG. 1

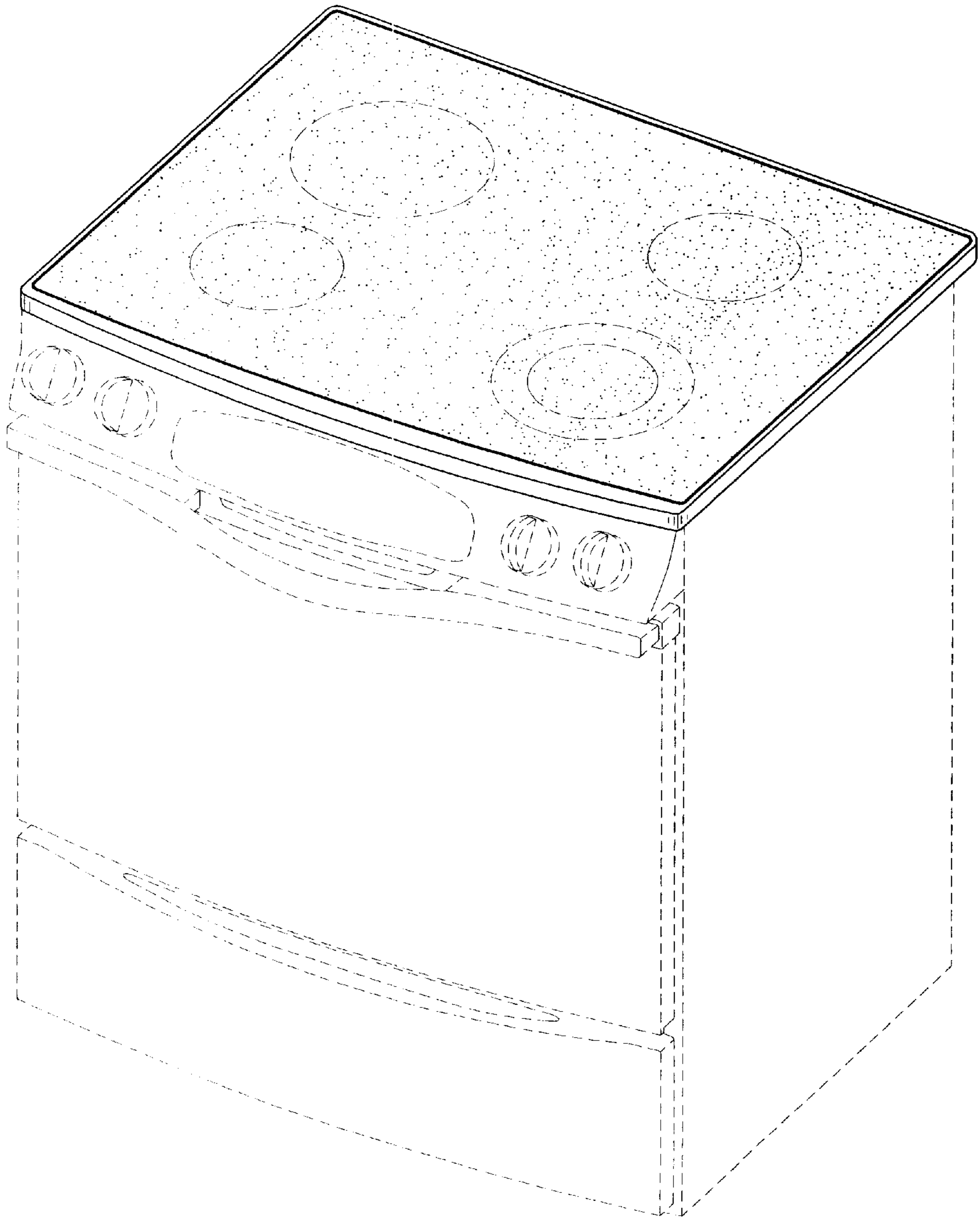


FIG. 2

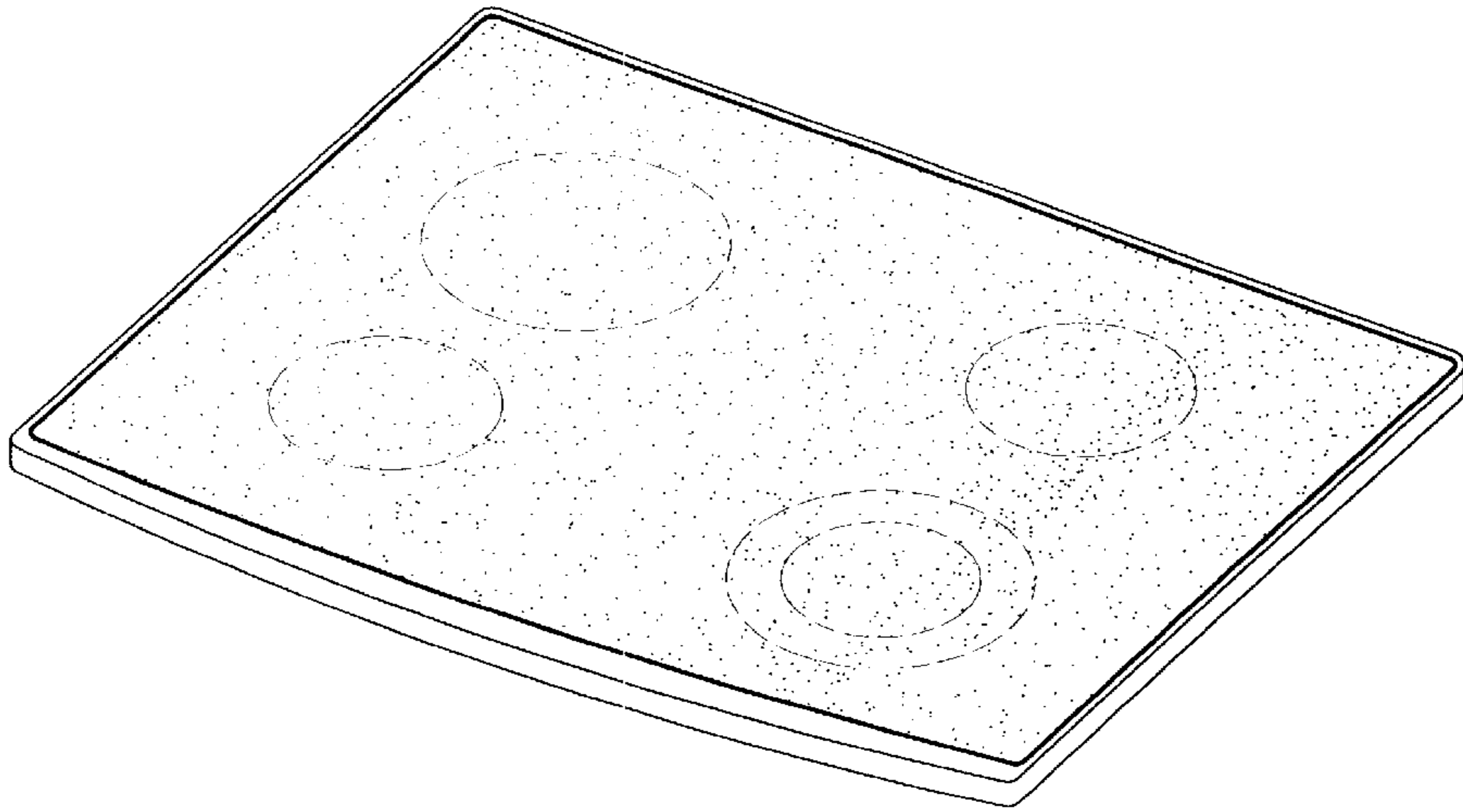


FIG. 3

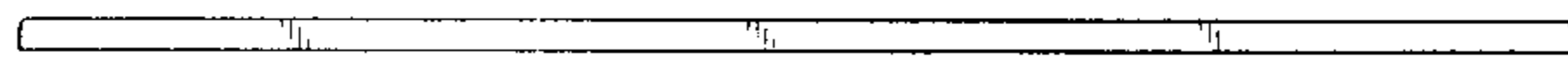


FIG. 4

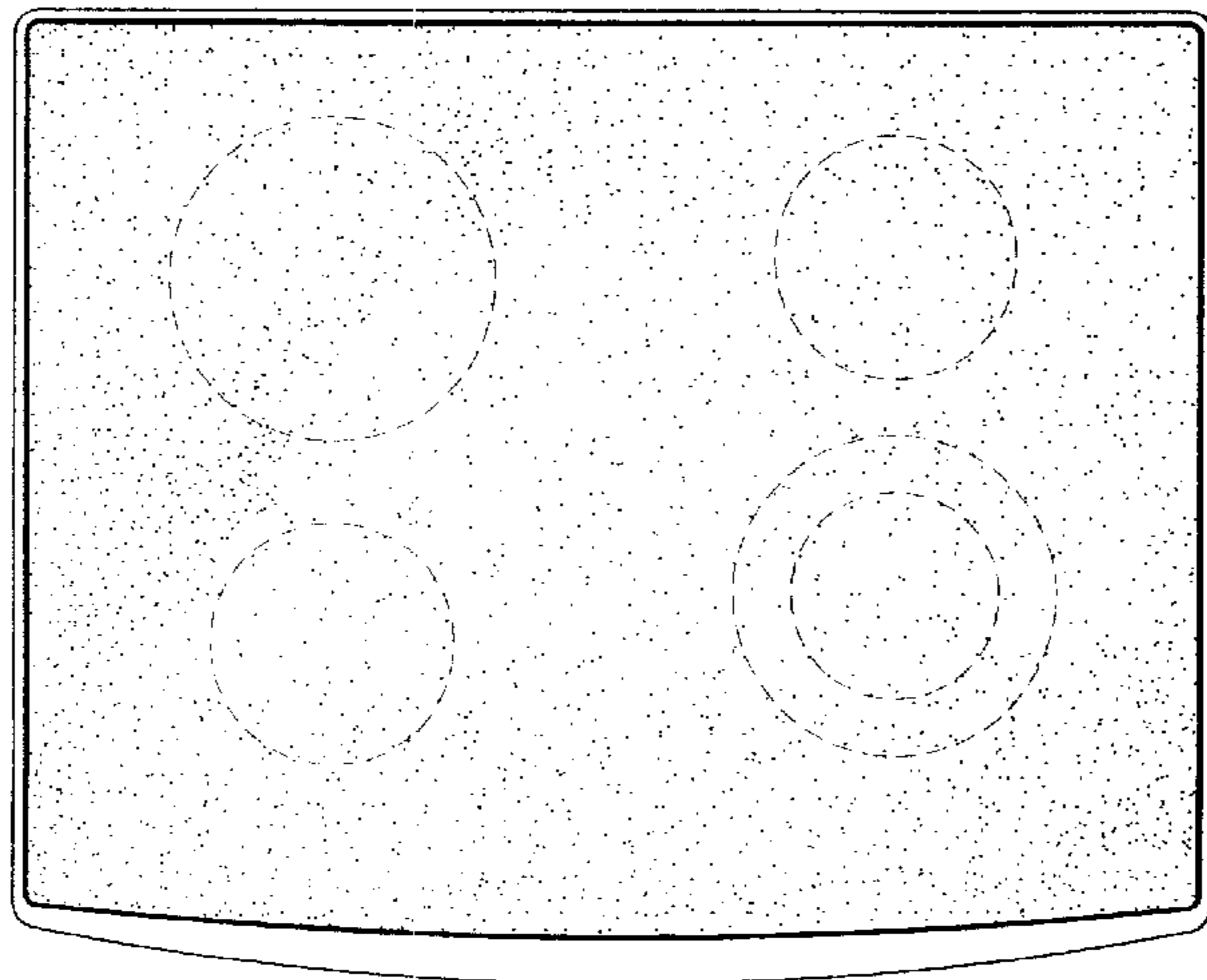


FIG. 5

