



US00D469303S

(12) **United States Design Patent**
Au

(10) **Patent No.:** **US D469,303 S**

(45) **Date of Patent:** **** Jan. 28, 2003**

(54) **FOOD PROCESSOR**

(75) Inventor: **Tat-Fu Au**, Kwai Chung (HK)

(73) Assignee: **Fatia Industrial Co., Ltd.**, New Territories (CN)

(**) Term: **14 Years**

(21) Appl. No.: **29/155,493**

(22) Filed: **Feb. 13, 2002**

(51) **LOC (7) Cl.** **31-00**

(52) **U.S. Cl.** **D7/379; D7/384**

(58) **Field of Search** **D7/376-386; 241/30, 241/33, 101.01, 301; 366/197, 242, 247, 251, 279, 349**

(56) **References Cited**

U.S. PATENT DOCUMENTS

- D416,752 S * 11/1999 Leverrier D7/379
- D436,497 S * 1/2001 Nalbandian D7/379
- D438,052 S * 2/2001 Po-Hei D7/379

* cited by examiner

Primary Examiner—Caron D. Veynar

(74) *Attorney, Agent, or Firm*—Burns, Doane, Swecker & Mathis, L.L.P.

(57) **CLAIM**

The ornamental design for a “food processor”, as shown and described.

DESCRIPTION

FIG. 1 is a front view of a “food processor” showing my design;

FIG. 2 is a rear view thereof;

FIG. 3 is a left side view thereof;

FIG. 4 is a right side view thereof;

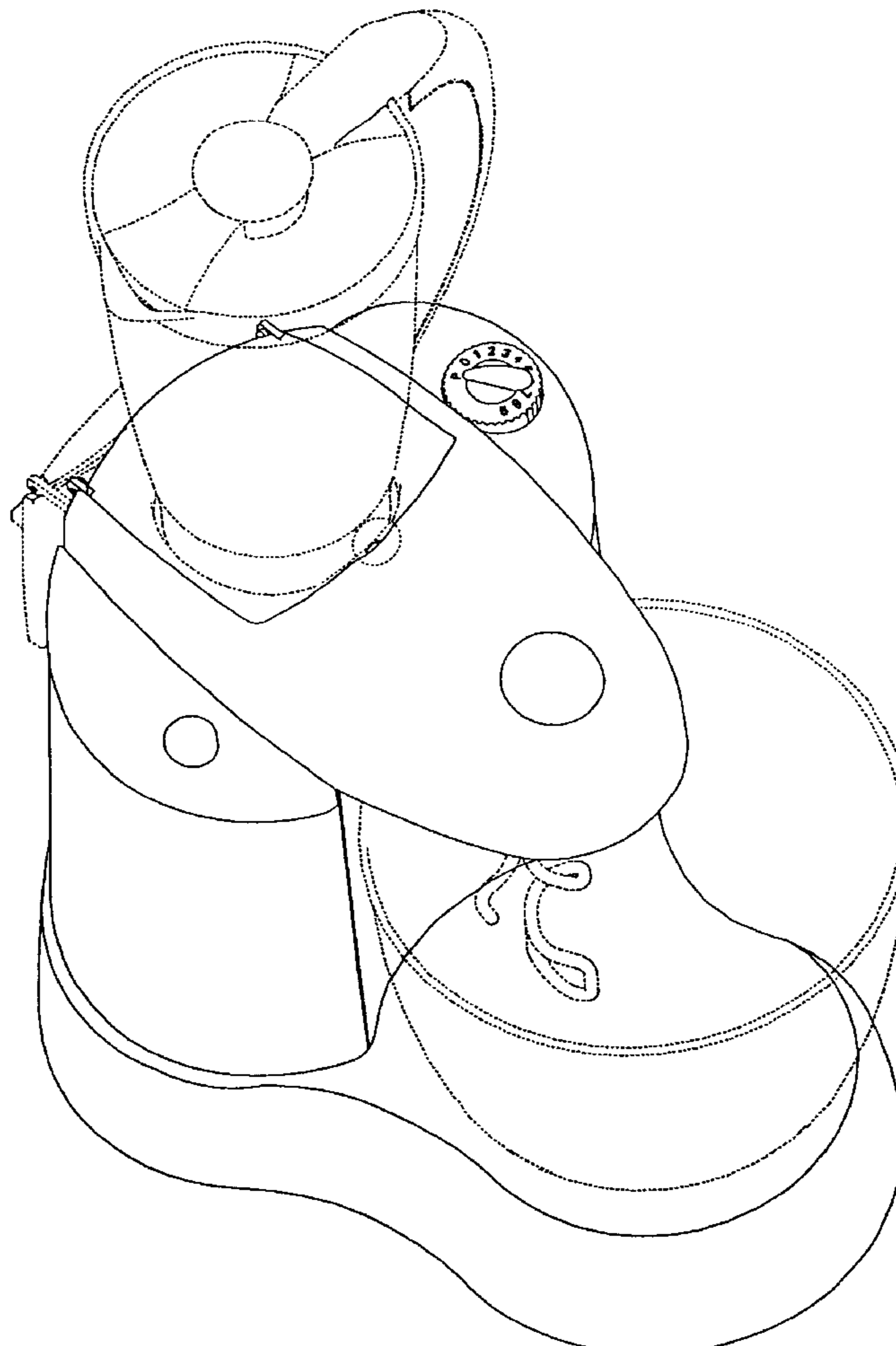
FIG. 5 is a top plan view thereof;

FIG. 6 is a bottom view thereof; and,

FIG. 7 is a perspective view thereof.

The features shown in broken lines are for illustrative purposes only, and form no part of the claimed design.

1 Claim, 7 Drawing Sheets



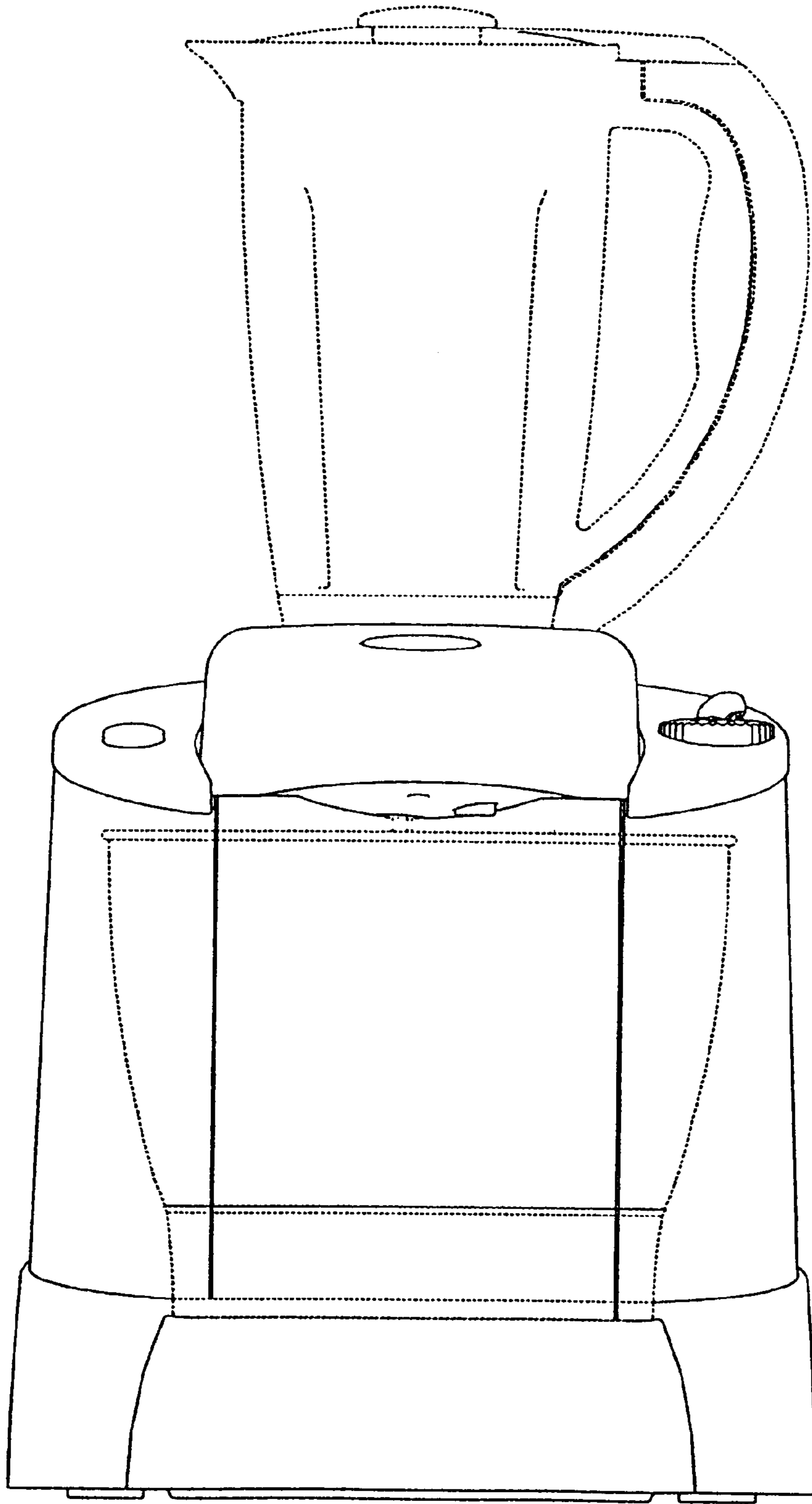


FIGURE 1

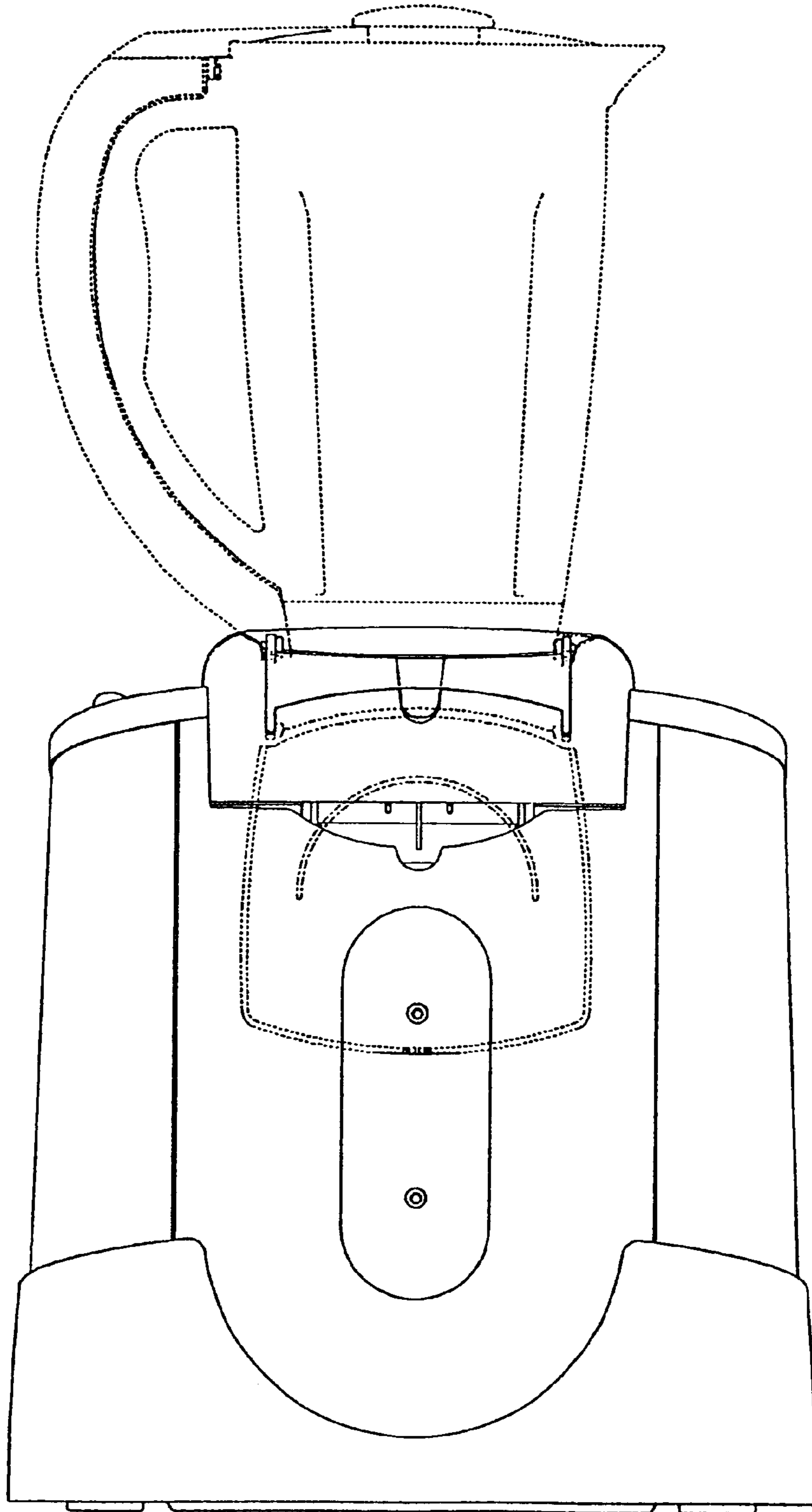


FIGURE 2

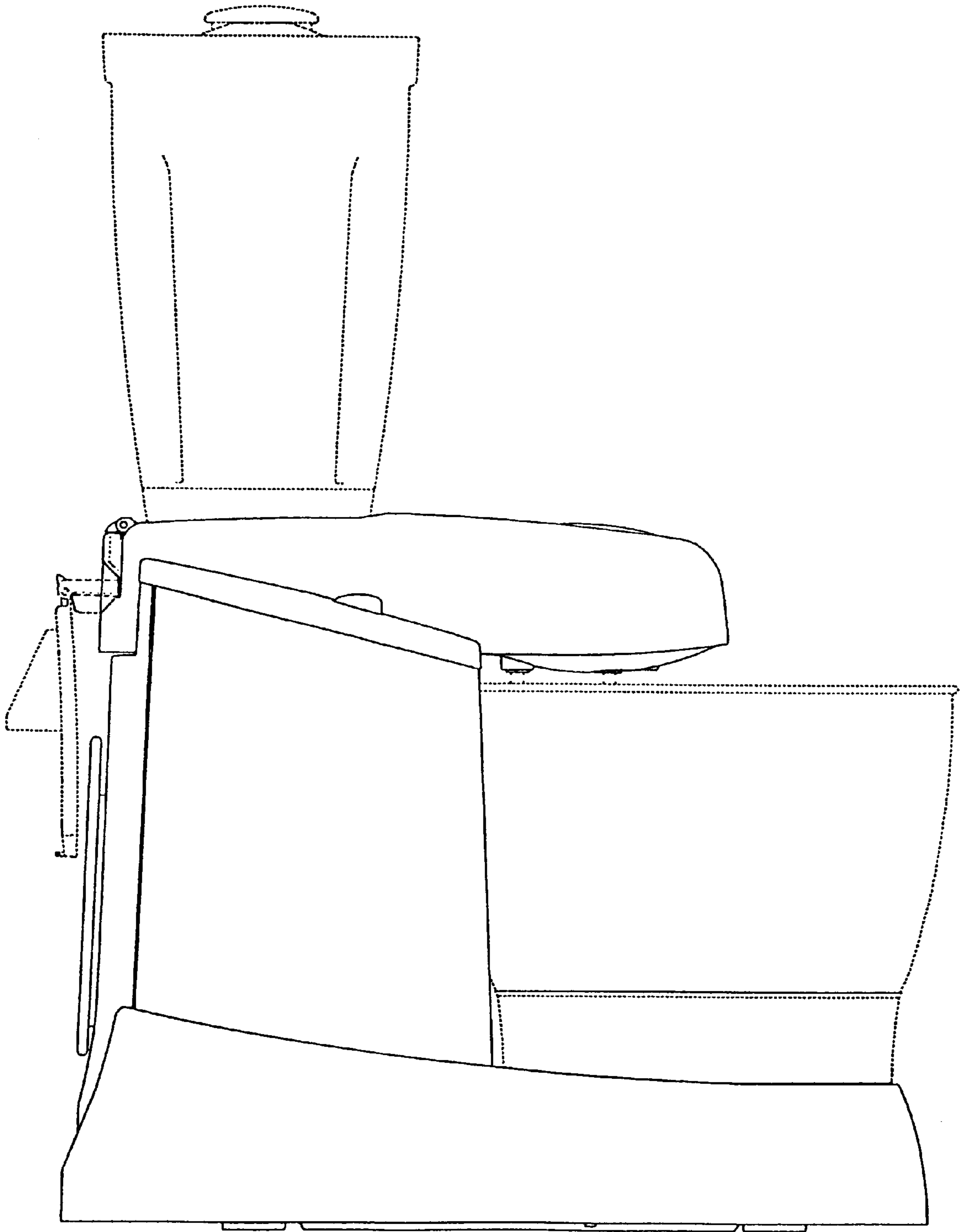


FIGURE 3

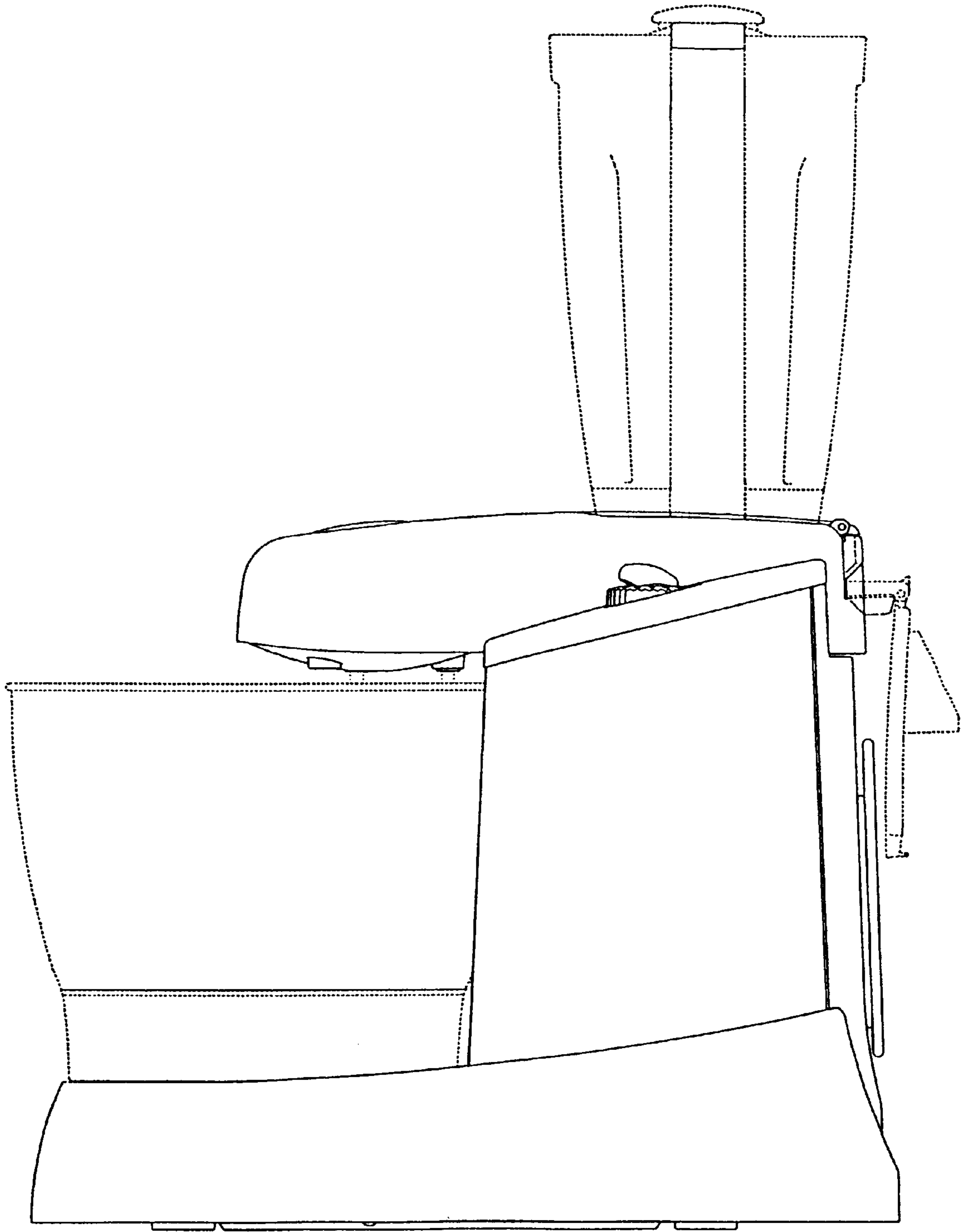


FIGURE 4

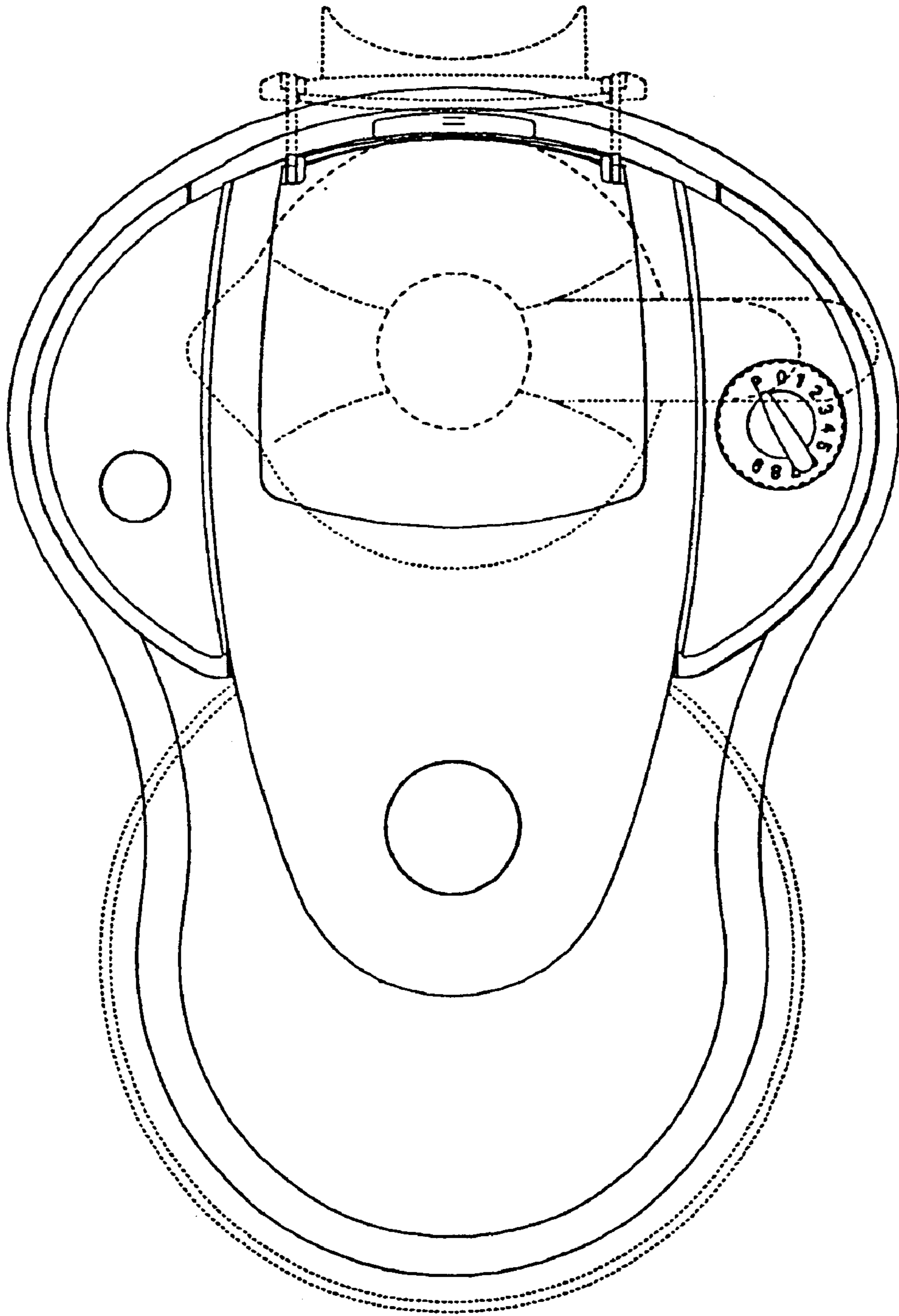


FIGURE 5

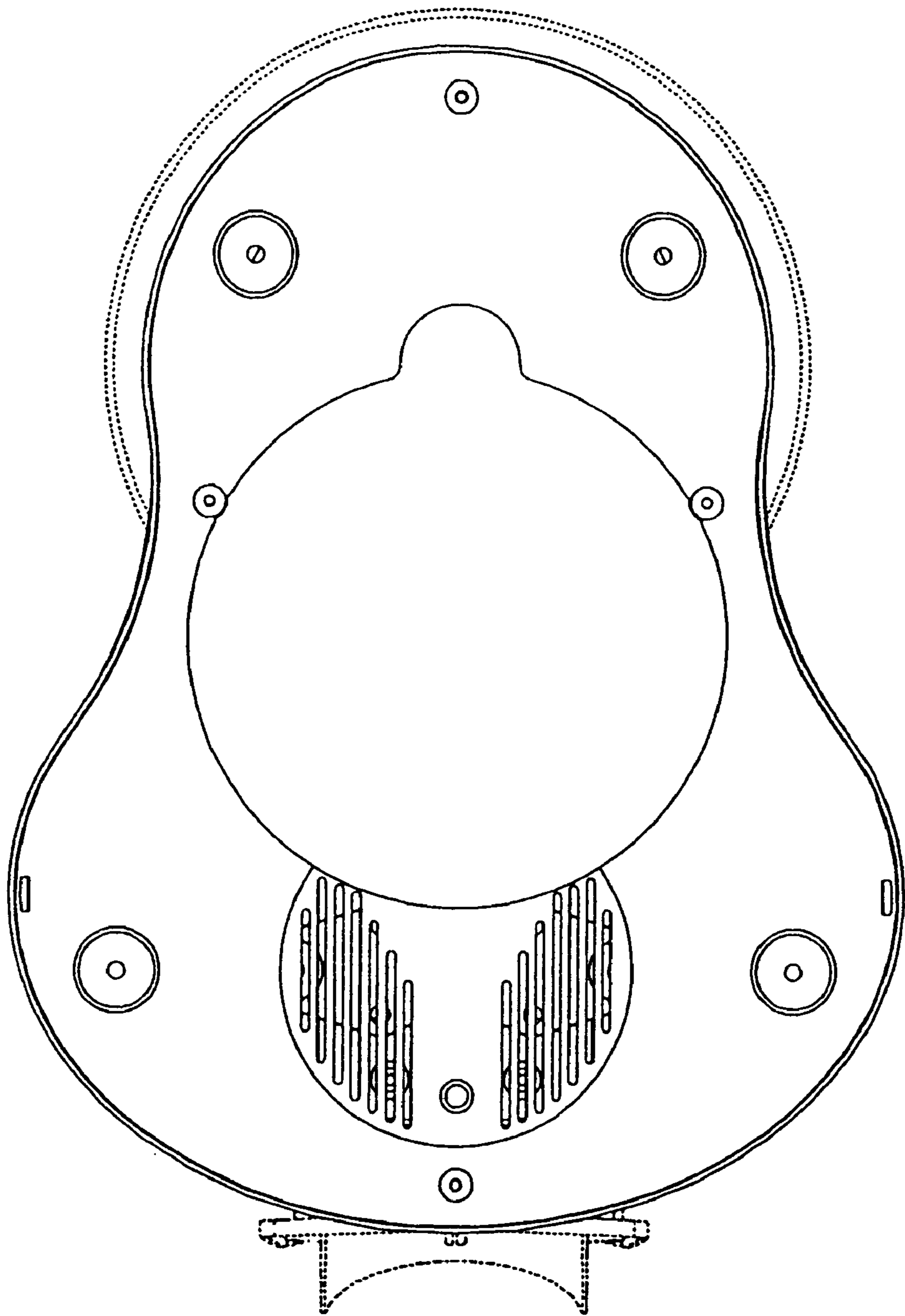


FIGURE 6

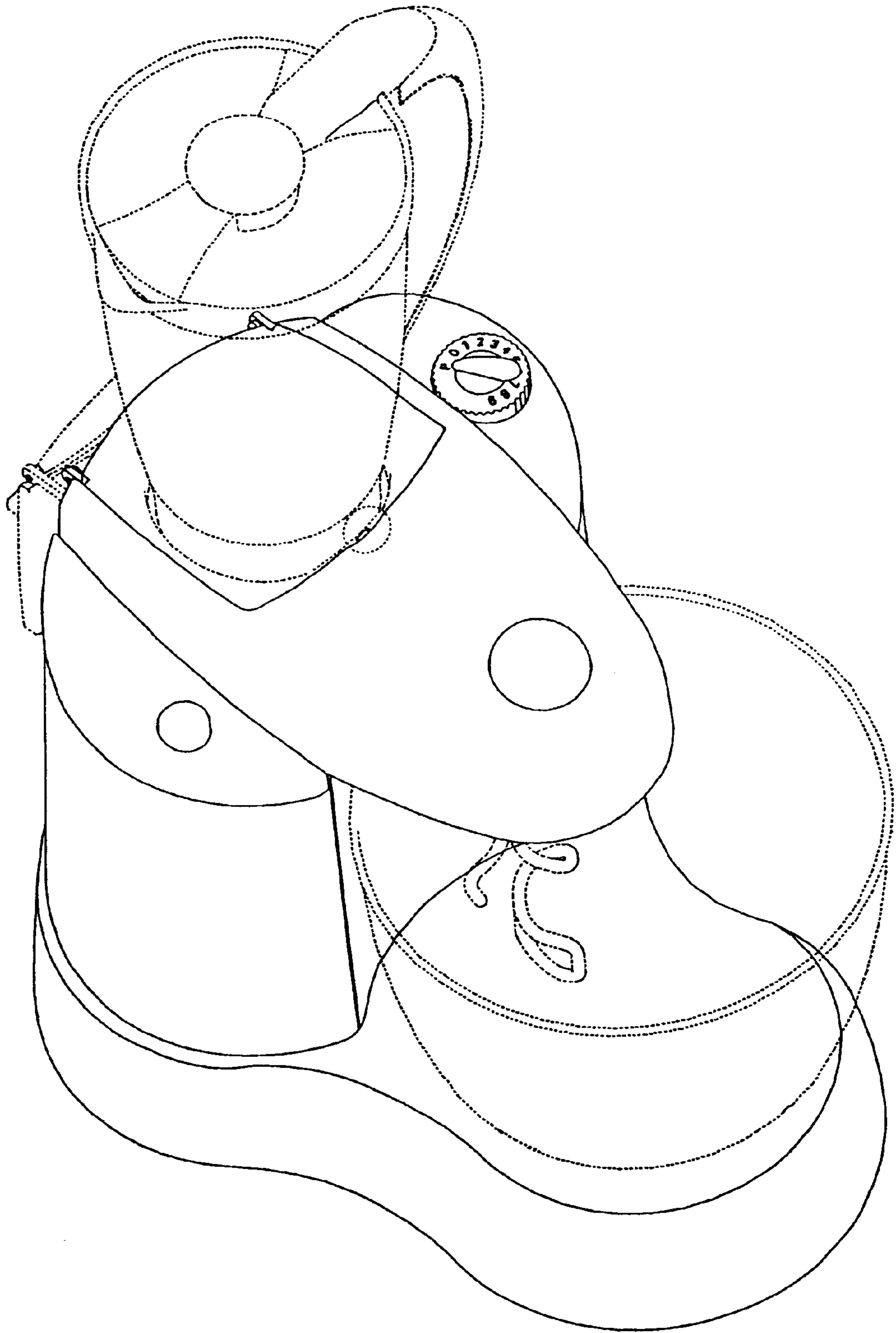


FIGURE 7