



US00D469300S

(12) **United States Design Patent**
Nakazawa

(10) **Patent No.:** **US D469,300 S**

(45) **Date of Patent:** **** Jan. 28, 2003**

(54) **PAN CORNER**

(75) Inventor: **Atsushi Nakazawa**, C/O Nakazawa
Kogyo Kabushiki Kaisha Oaza-Oseki
313, Tsubame-shi, Niigata-ken (JP)

(73) Assignee: **Atsushi Nakazawa**, Niigata-ken (JP)

(**) Term: **14 Years**

(21) Appl. No.: **29/139,126**

(22) Filed: **Mar. 27, 2001**

(51) **LOC (7) Cl.** **07-02**

(52) **U.S. Cl.** **D7/354**

(58) **Field of Search** D7/354-361, 545;
D8/18, 34; D9/345, 415, 423-426, 434-435;
206/216, 427, 459.5, 508, 515, 518, 564,
592, 593; 220/4.21, 200, 212, 256, 309.1,
309.2, 380, 780-790, 801, 912; 403/305,
300, 339; 229/406

(56) **References Cited**

U.S. PATENT DOCUMENTS

4,113,095	A	*	9/1978	Dietz et al.	206/508
5,035,327	A	*	7/1991	Denzin et al.	206/518
D422,836	S		4/2000	Mittmann	D7/354
D427,482	S		7/2000	Mittmann	D7/354
D431,148	S		9/2000	Mittmann	D7/354

D432,866	S	*	10/2000	Harrison	D7/545
D435,390	S		12/2000	Mittmann	D7/354
D443,173	S	*	6/2001	Danielsen et al.	D7/354

* cited by examiner

Primary Examiner—Caron D. Veynar

(74) *Attorney, Agent, or Firm*—Sughrue Mion, PLLC

(57) **CLAIM**

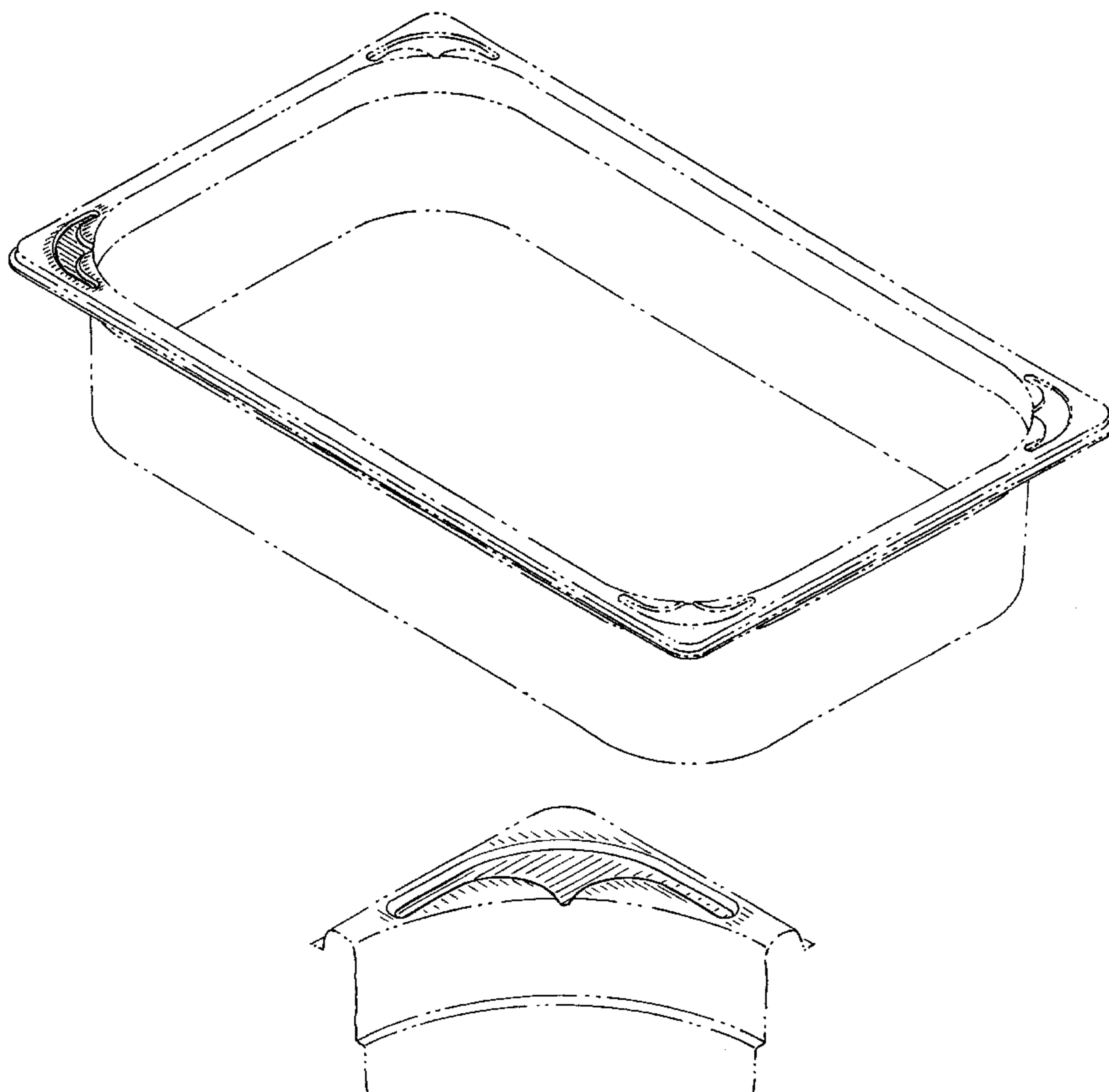
The ornamental design for a pan corner, as shown.

DESCRIPTION

FIG. 1 is a perspective view of the top of a pan corner showing my new design;
 FIG. 2 is a top plan view thereof;
 FIG. 3 is an additional top perspective view thereof;
 FIG. 4 is an sectional view taken along the lines 4—4 of FIG. 2;
 FIG. 5 is a sectional view taken along the lines 5—5 of FIG. 2;
 FIG. 6 is a sectional view taken along the lines 6—6 of FIG. 2; and,
 FIG. 7 is a sectional view taken along the lines 7—7 of FIG. 2.

The broken line showing of the remaining parts of the pan in FIGS. 1-7 is for illustrative purposes only and forms no part of the claimed design.

1 Claim, 4 Drawing Sheets



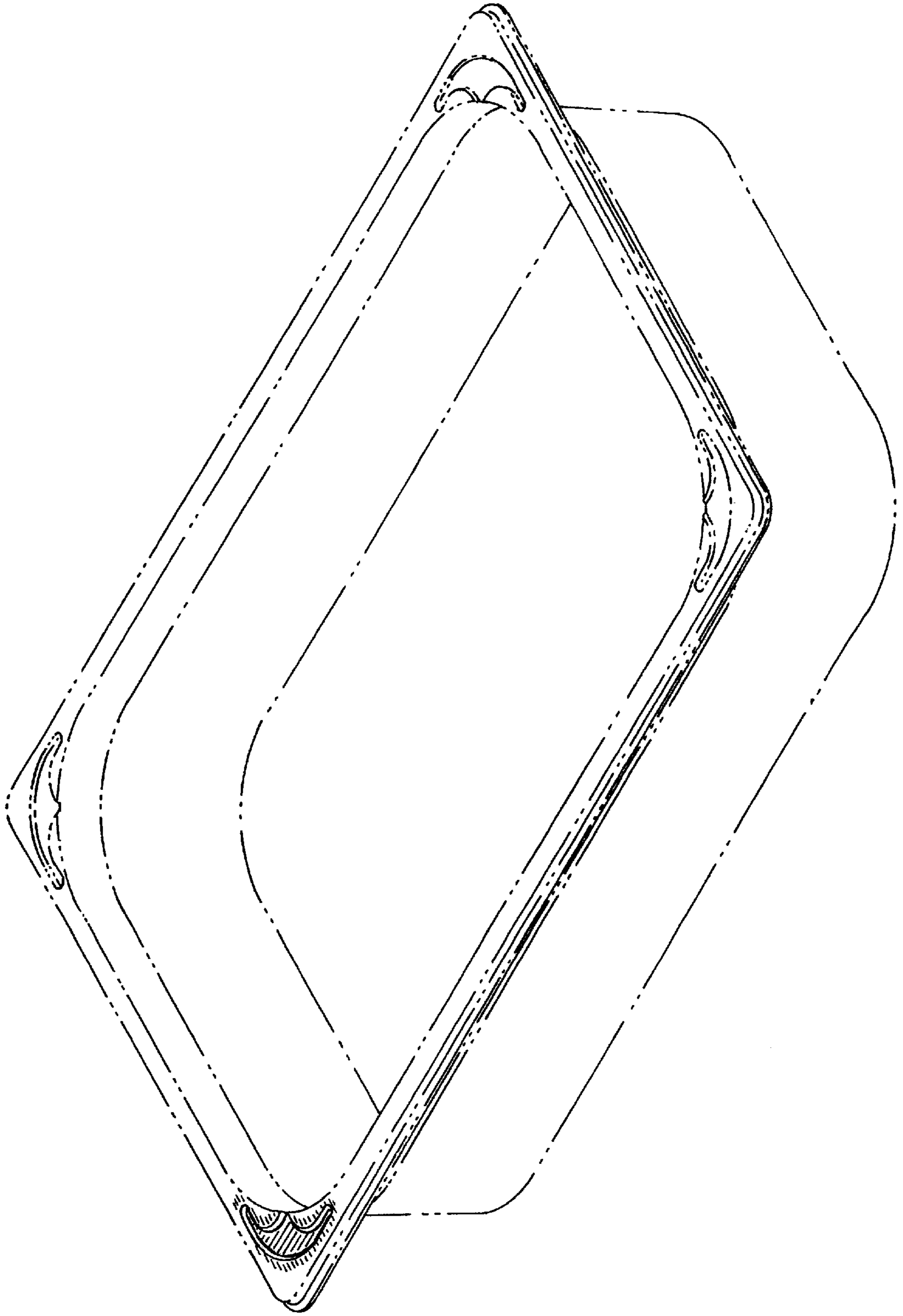


FIG. 1

FIG. 2

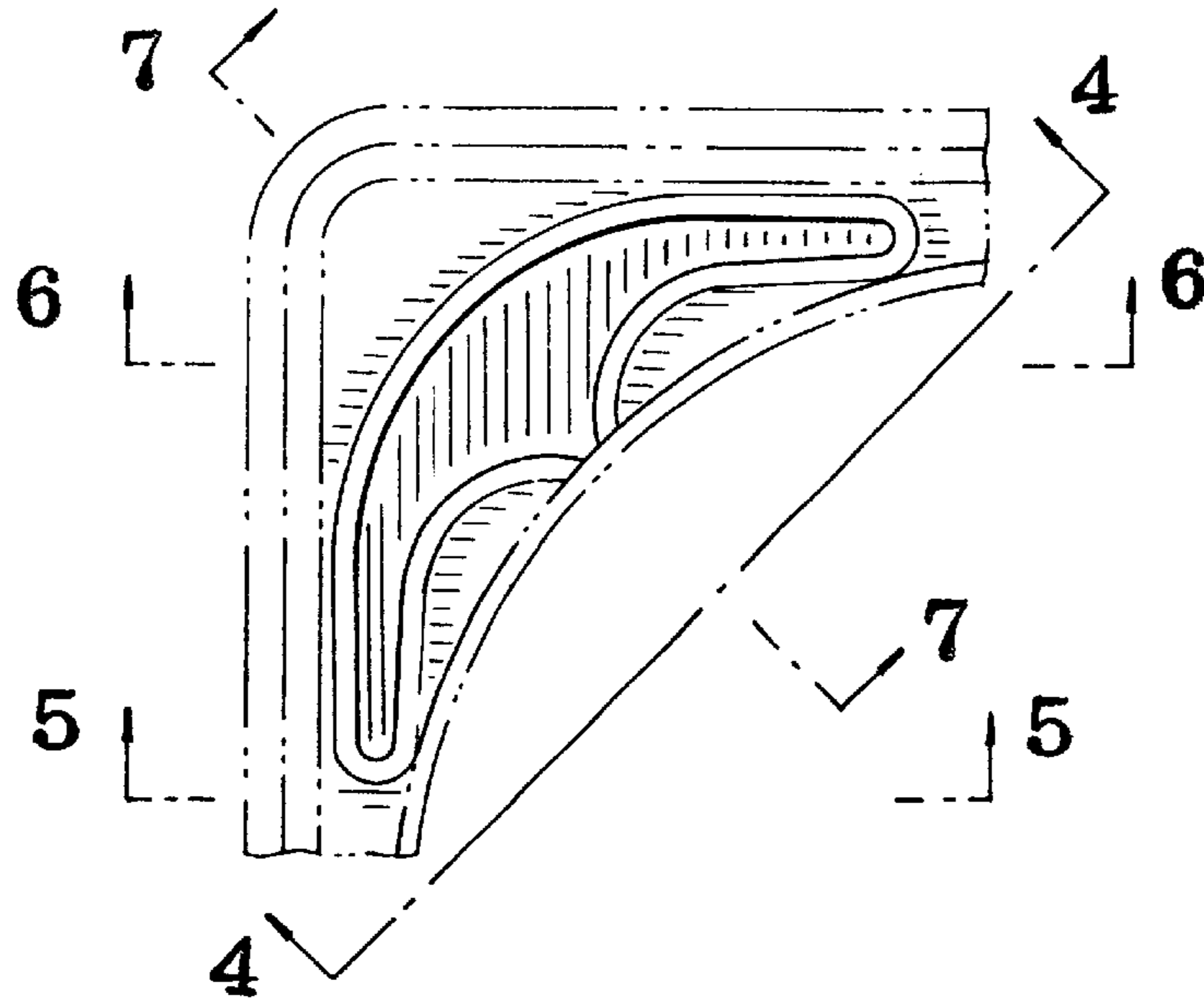


FIG. 3

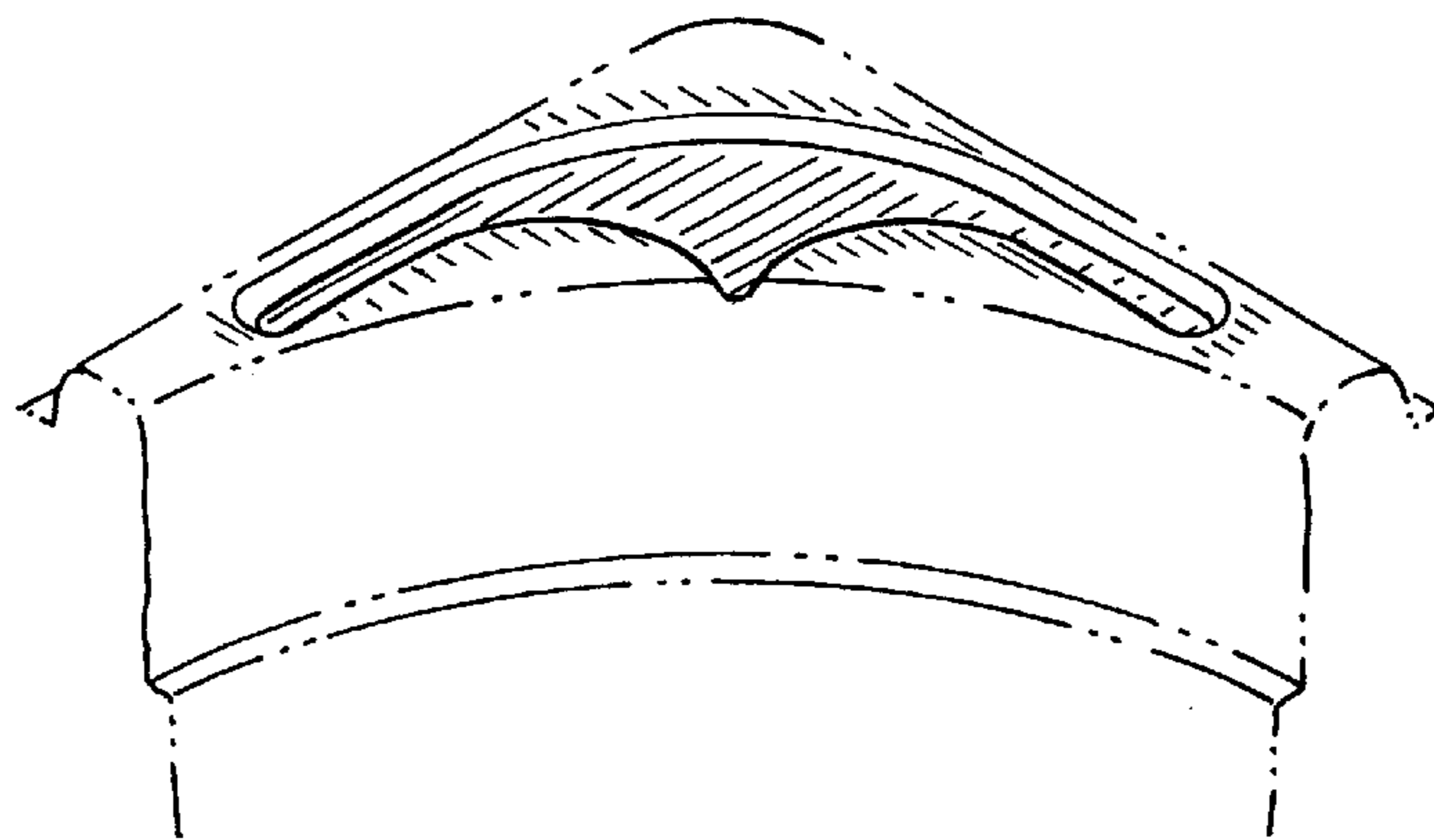


FIG. 4

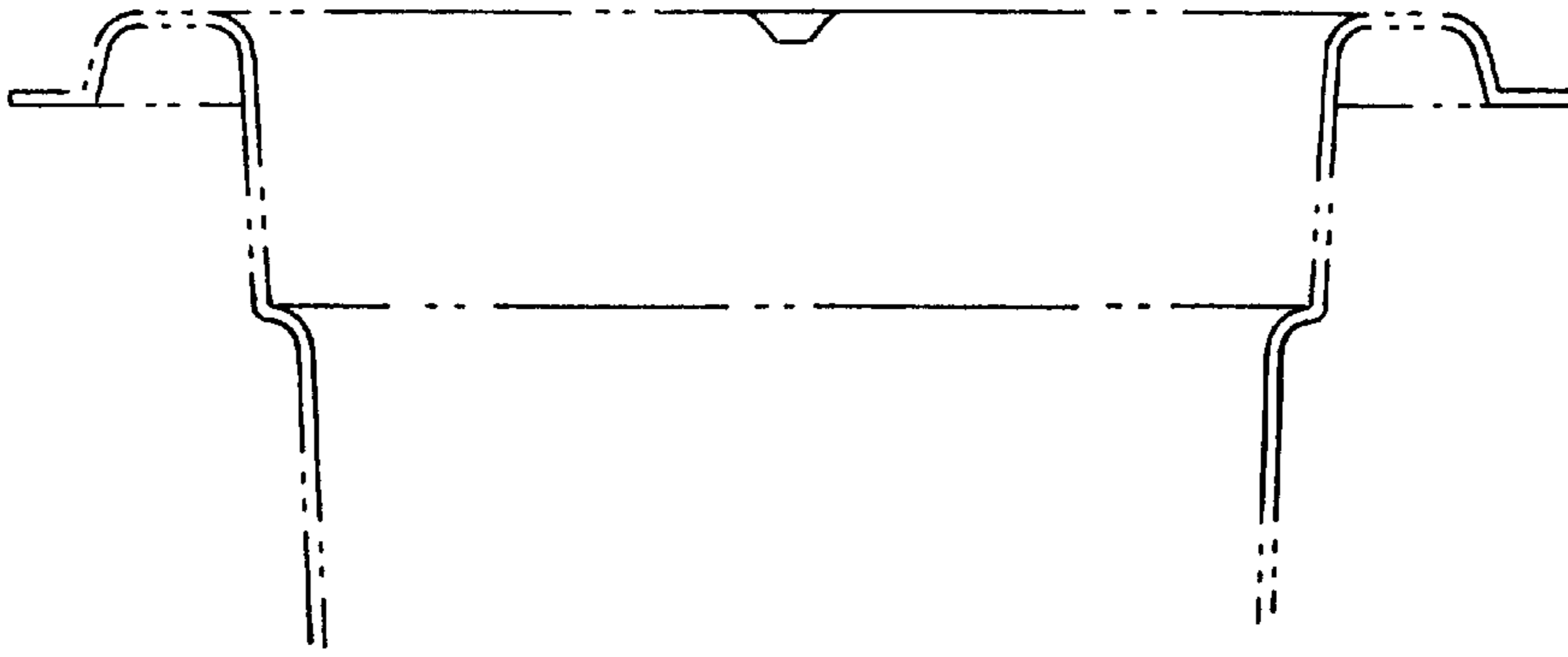


FIG. 5

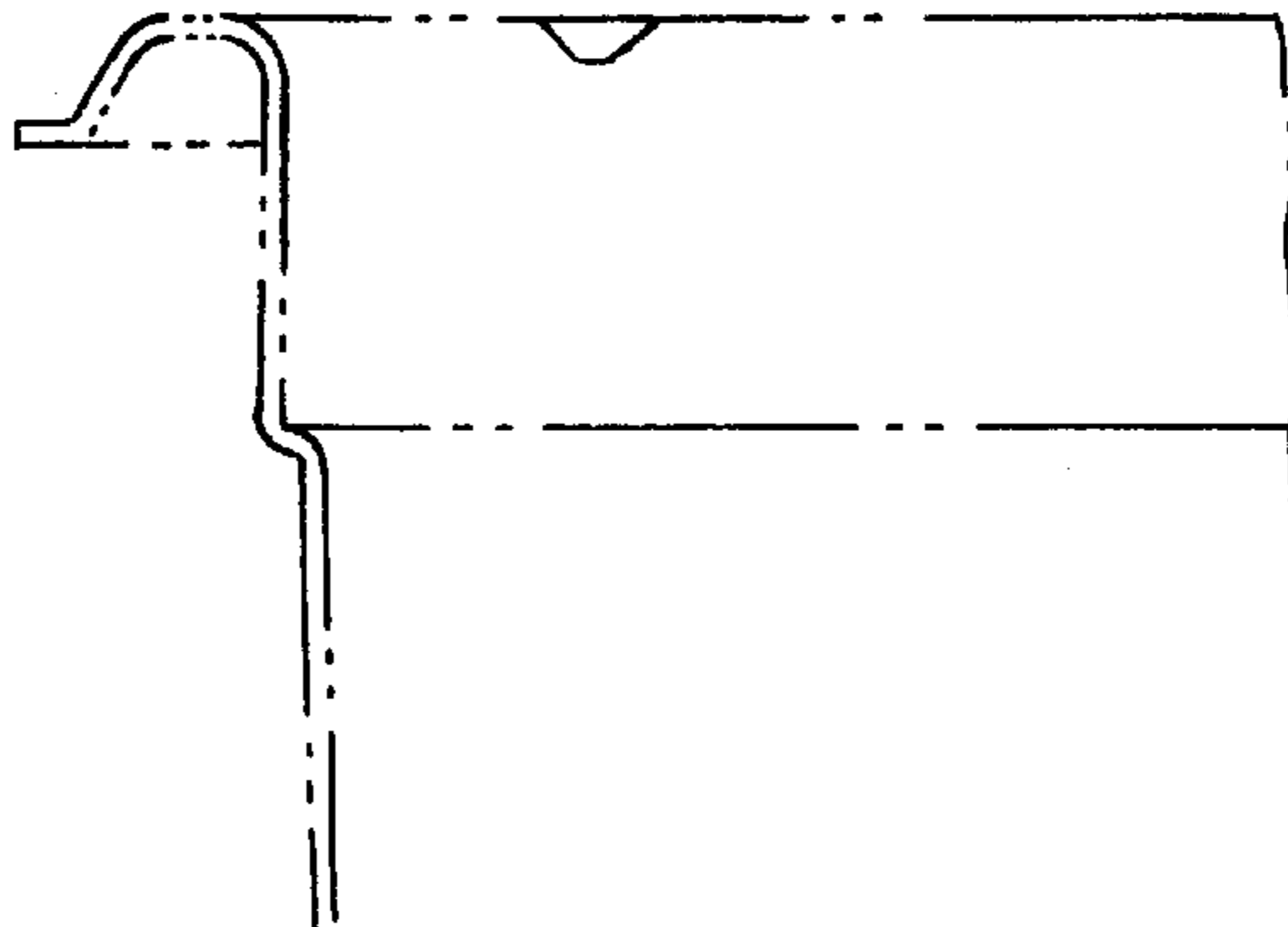


FIG. 6

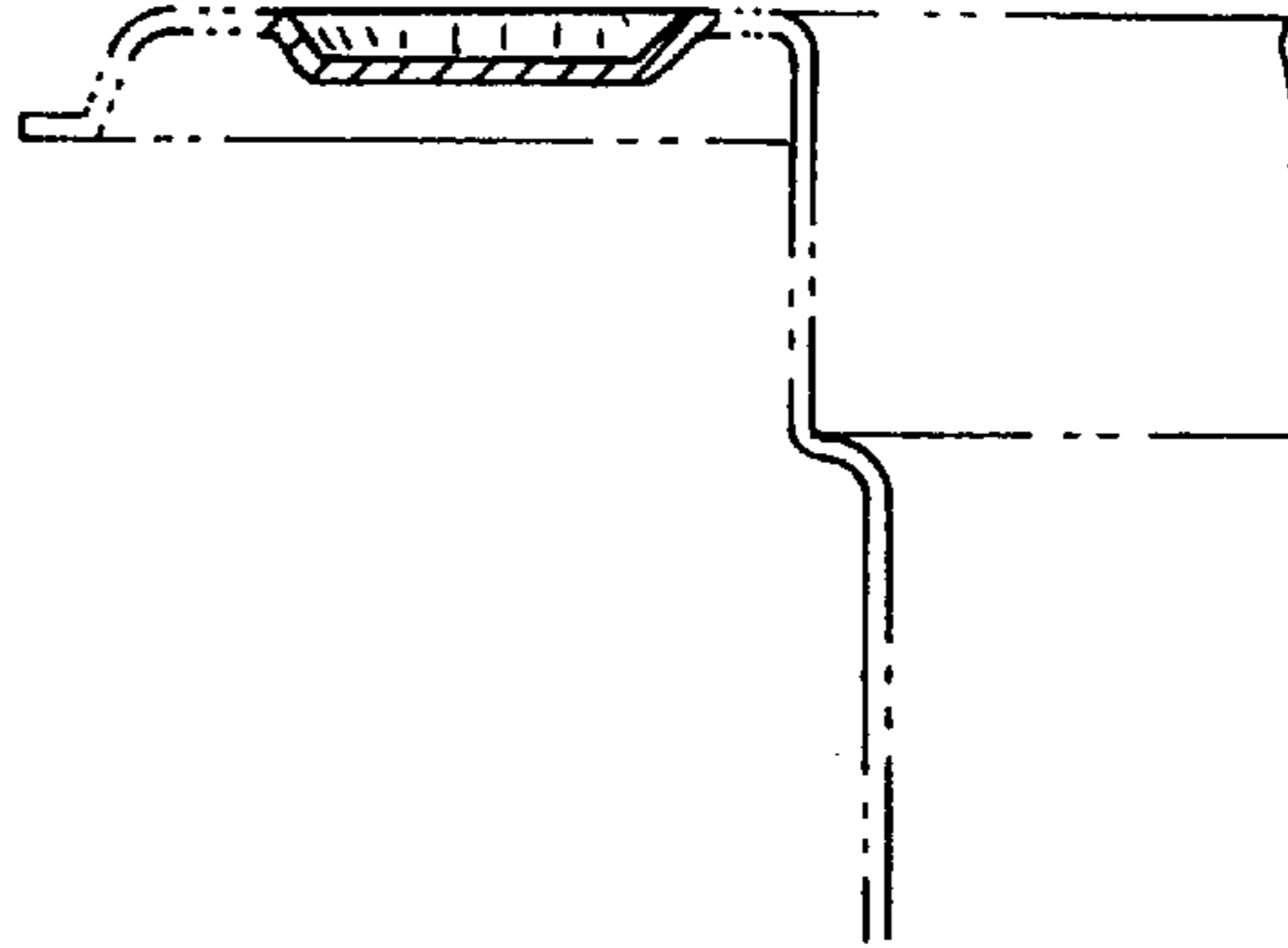


FIG. 7

