



US00D469296S

(12) **United States Design Patent**
Byrne

(10) **Patent No.: US D469,296 S**

(45) **Date of Patent: ** Jan. 28, 2003**

(54) **HUB FOR HOLDING A DISC ON A
CYLINDRICAL CONTAINER**

(75) **Inventor: James M. Byrne, Massillon, OH (US)**

(73) **Assignee: Nexpak Corporation, North Canton,
OH (US)**

(**) **Term: 14 Years**

(21) **Appl. No.: 29/161,030**

(22) **Filed: May 20, 2002**

Related U.S. Application Data

(62) **Division of application No. 29/146,671, filed on Aug. 14,
2001.**

(51) **LOC (7) Cl. 06-04**

(52) **U.S. Cl. D6/635; D6/407**

(58) **Field of Search D3/201, 218, 272,
D3/273, 276, 905; D6/407, 626-635; D9/337,
445, 454; D19/26, 27, 32, 65, 75-77, 81;
D28/77; 206/232, 307.1, 308.1, 308.2, 308.3,
309-310, 311, 312, 313, 387.11, 387.13,
387.15; 312/9.57, 902, 9.9, 9.48, 9.55,
9.64, 9.47, 9.53, 328; 379/355**

(56) **References Cited**

U.S. PATENT DOCUMENTS

- 3,421,681 A * 1/1969 Frank
- D220,755 S * 5/1971 Zundel
- 3,777,968 A * 12/1973 Law 229/404
- D239,437 S * 4/1976 Boduch
- D243,832 S * 3/1977 Shveda D7/507
- D274,983 S * 8/1984 Dart et al. D9/447
- D277,999 S * 3/1985 Weiner D6/407
- 5,056,659 A * 10/1991 Howes et al. 206/217
- D322,760 S * 12/1991 Blanchette D9/435
- D323,116 S * 1/1992 Dart et al. D9/447
- D341,320 S * 11/1993 Morin D9/443
- D356,034 S * 3/1995 Sugrue D9/439
- D367,957 S * 3/1996 Lambert et al. D3/273

- 5,542,532 A * 8/1996 Mitchell 206/308.1
- 5,606,866 A * 3/1997 Anthony et al. 62/294
- D385,145 S * 10/1997 VerWeyst et al. D6/632
- 5,829,583 A * 11/1998 VerWeyst et al. 206/308.1
- D406,237 S * 3/1999 Bettiga D9/443
- 5,971,195 A * 10/1999 Reidinger et al. 220/521
- 5,979,688 A * 11/1999 Stodd 220/231
- D431,955 S * 10/2000 Peterson et al. D6/632
- D431,956 S * 10/2000 Chouraqui et al. D6/635
- 6,206,220 B1 * 3/2001 Stodd 220/231
- 6,207,100 B1 * 3/2001 Weiss et al. 264/553
- 6,216,857 B1 * 4/2001 Gordon et al. 206/232
- 6,311,860 B1 * 11/2001 Reidinger et al. 220/521
- D452,628 S * 1/2002 Stauffer D6/632
- 6,349,821 B1 * 2/2002 Gordon et al. 206/232
- 6,364,102 B1 * 4/2002 Gordon et al. 206/217
- 2002/0038803 A1 * 4/2002 Malcolm 220/713

* cited by examiner

Primary Examiner—Celia Murphy

(74) *Attorney, Agent, or Firm*—Sand & Sebolt

(57) **CLAIM**

The ornamental design for a hub for holding a disc on a cylindrical container, as shown and described.

DESCRIPTION

FIG. 1 is a perspective view of a hub for holding a disc on a cylindrical container showing my new design; the lining of the drawing indicating that the material is substantially transparent.

FIG. 2 is a top plan view of FIG. 1;

FIG. 3 is a front elevation view of FIG. 2;

FIG. 4 is a right side elevation view of FIG. 2;

FIG. 5 is a bottom plan view of FIG. 2;

FIG. 6 is a perspective view similar to FIG. 1 with the lining of the drawing representing a substantially opaque material;

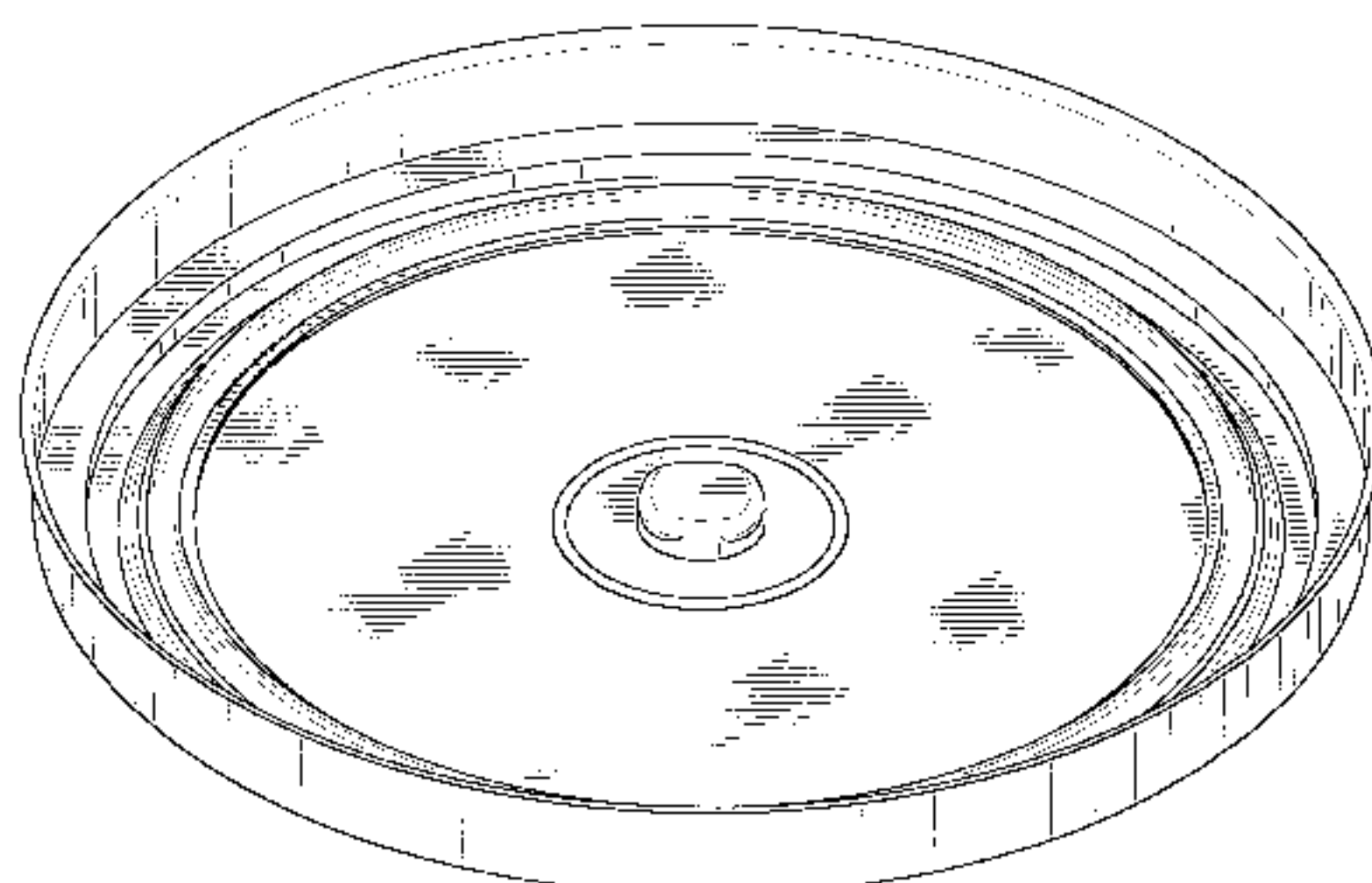
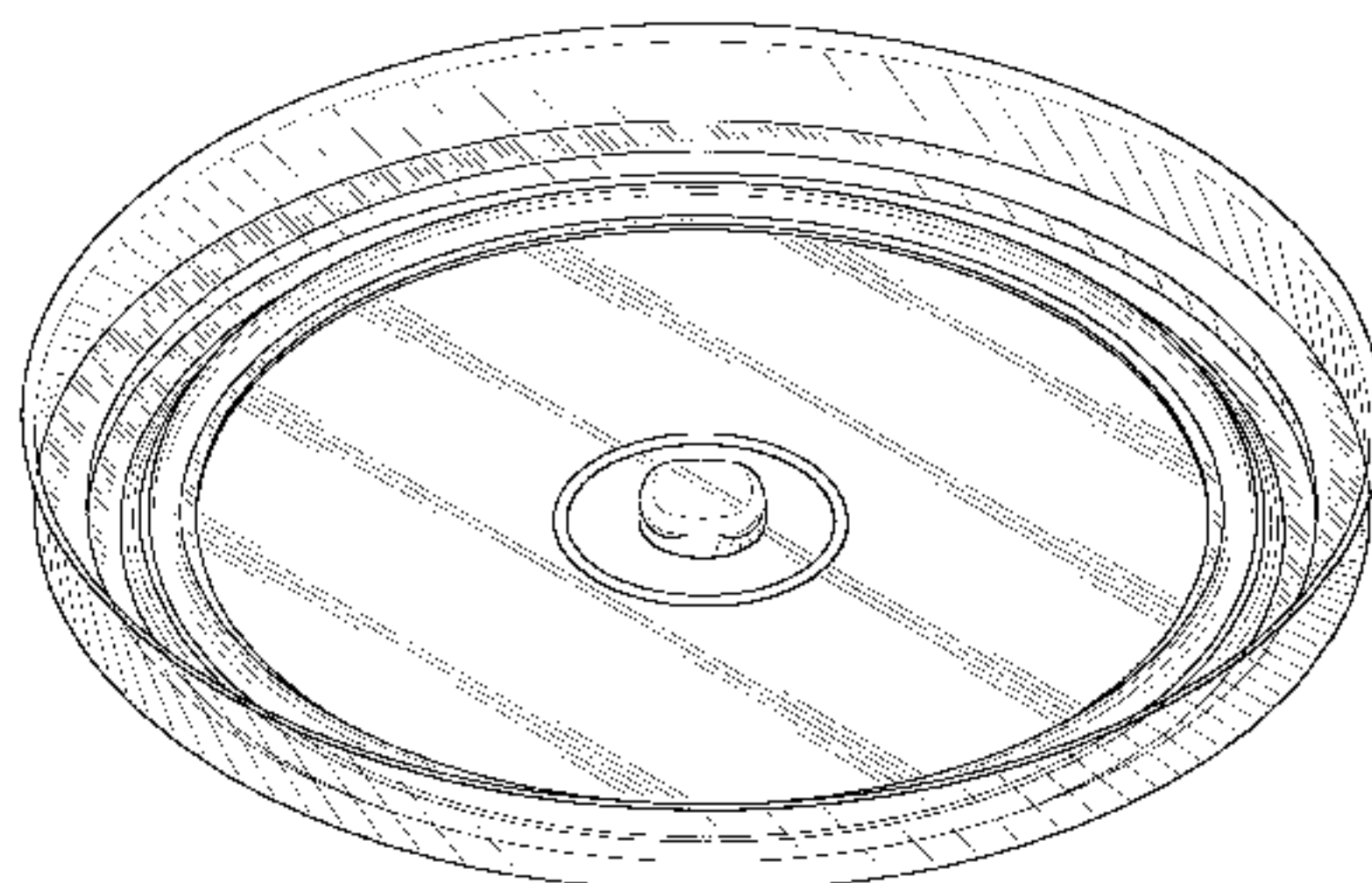
FIG. 7 is a top plan view of FIG. 6;

FIG. 8 is a front elevation view of FIG. 7;

FIG. 9 is a right side elevation view of FIG. 7; and,

FIG. 10 is a bottom plan view of FIG. 7.

1 Claim, 6 Drawing Sheets



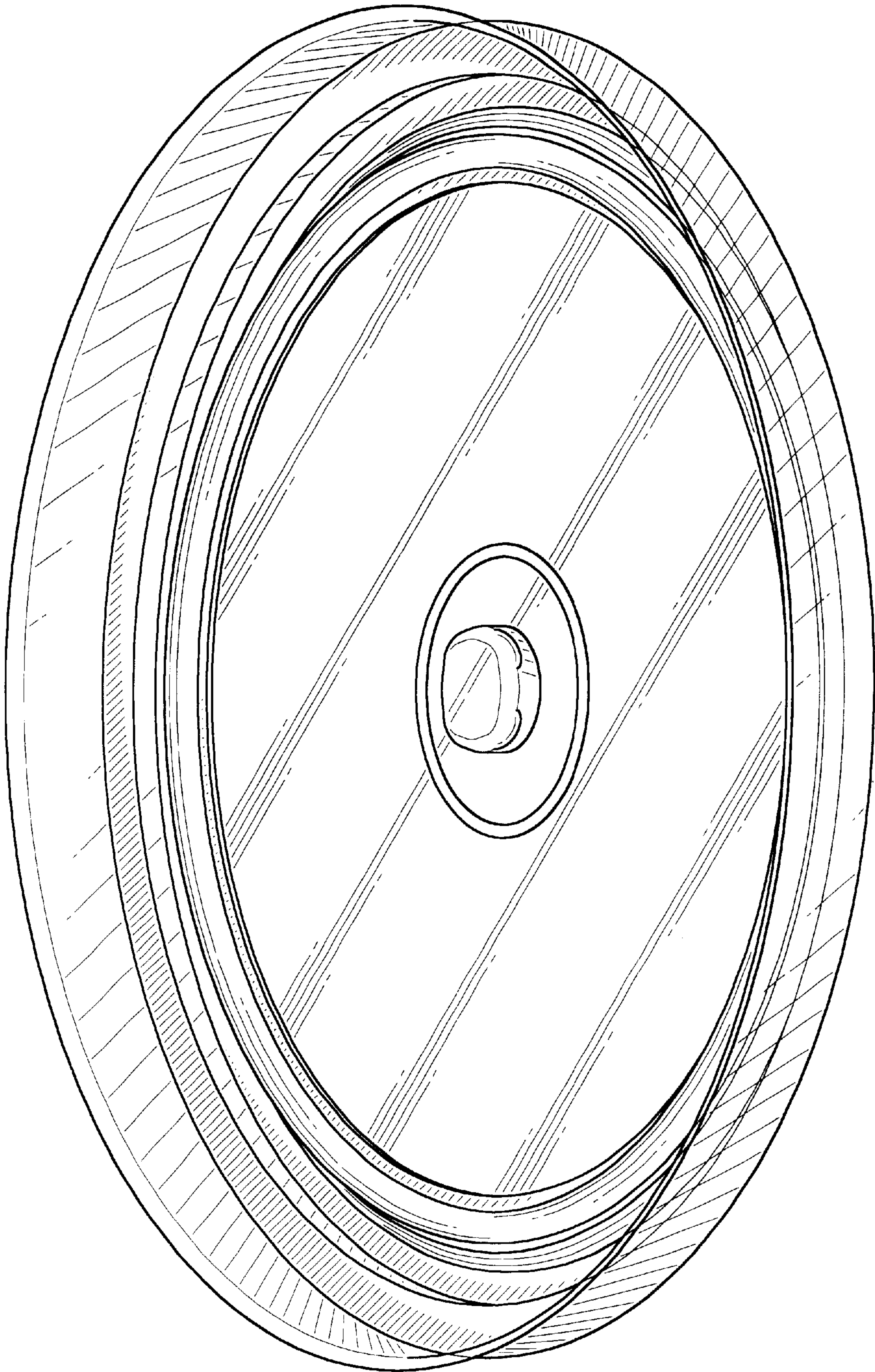


FIG-1

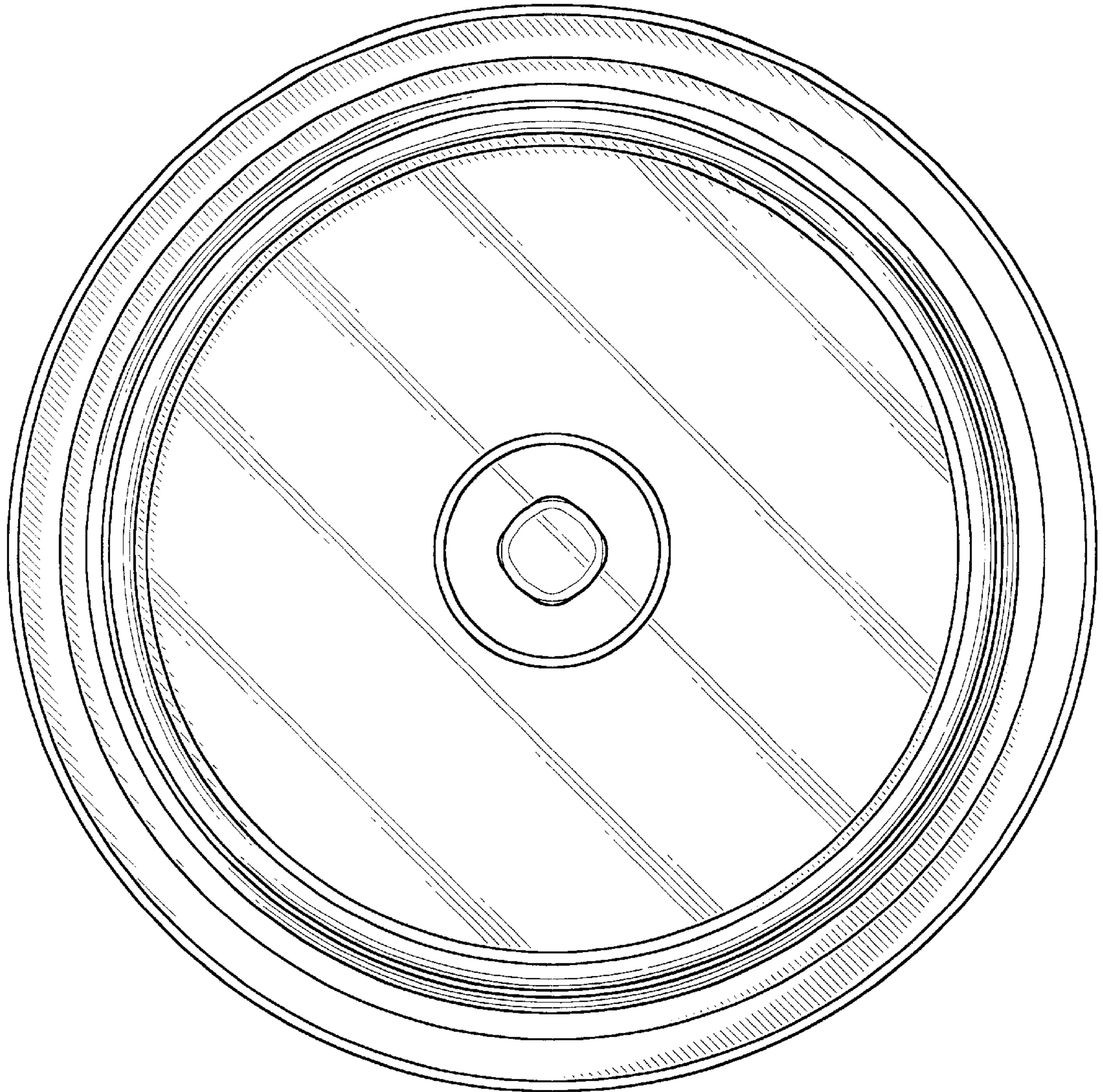


FIG-2

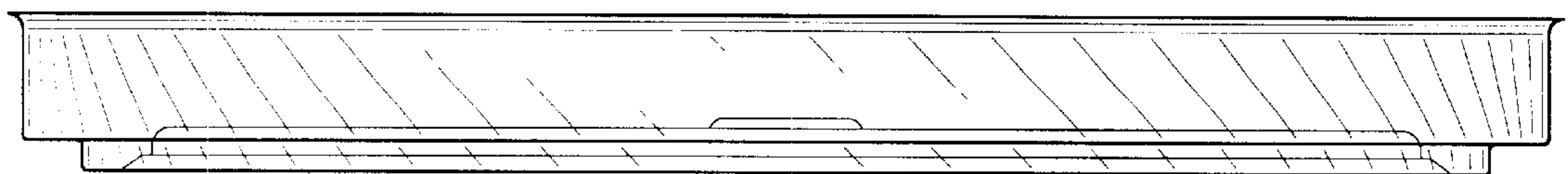


FIG-3

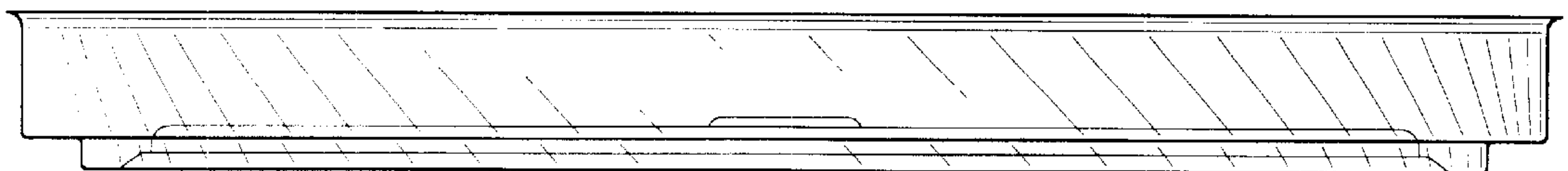


FIG-4

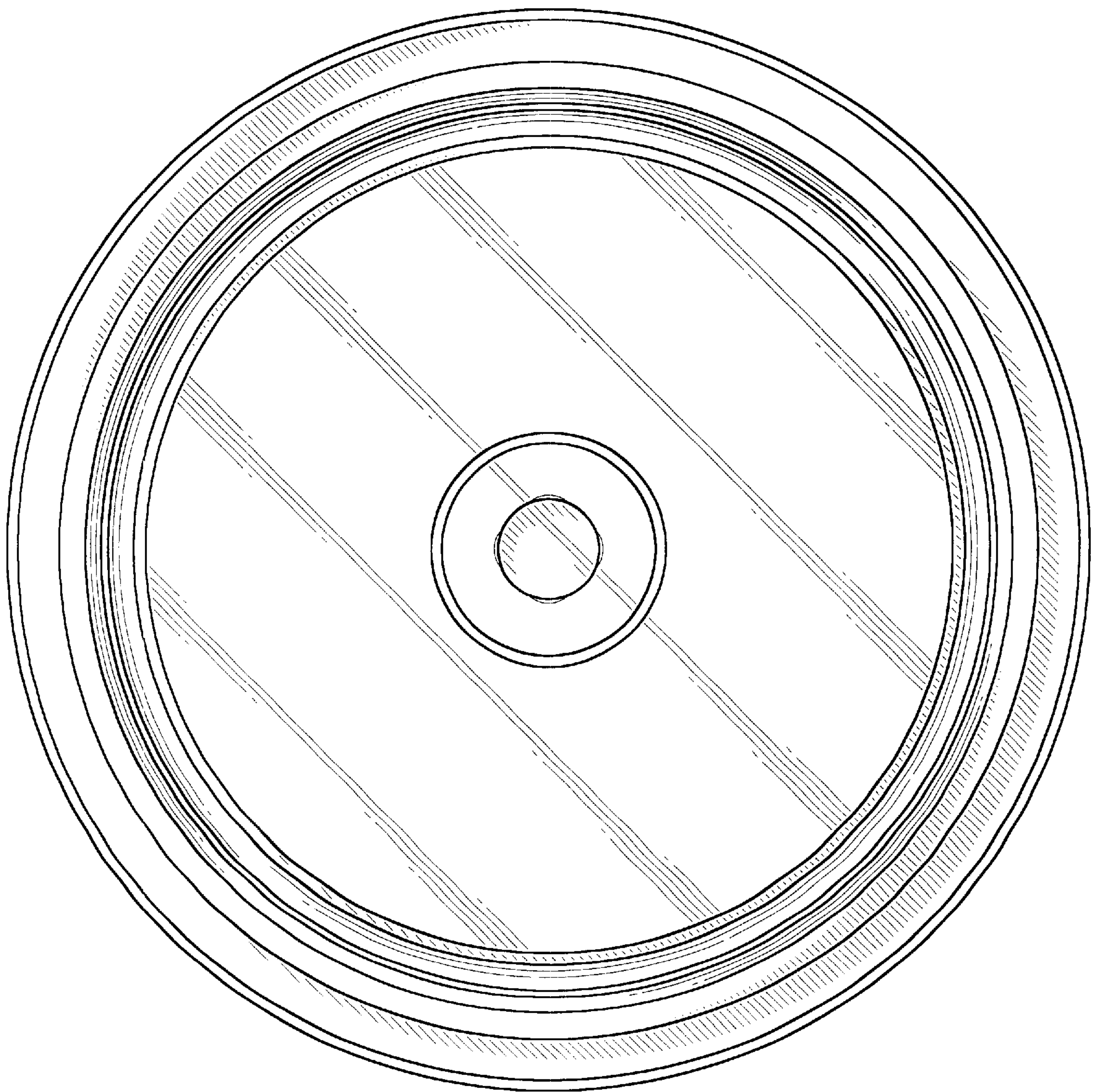


FIG-5

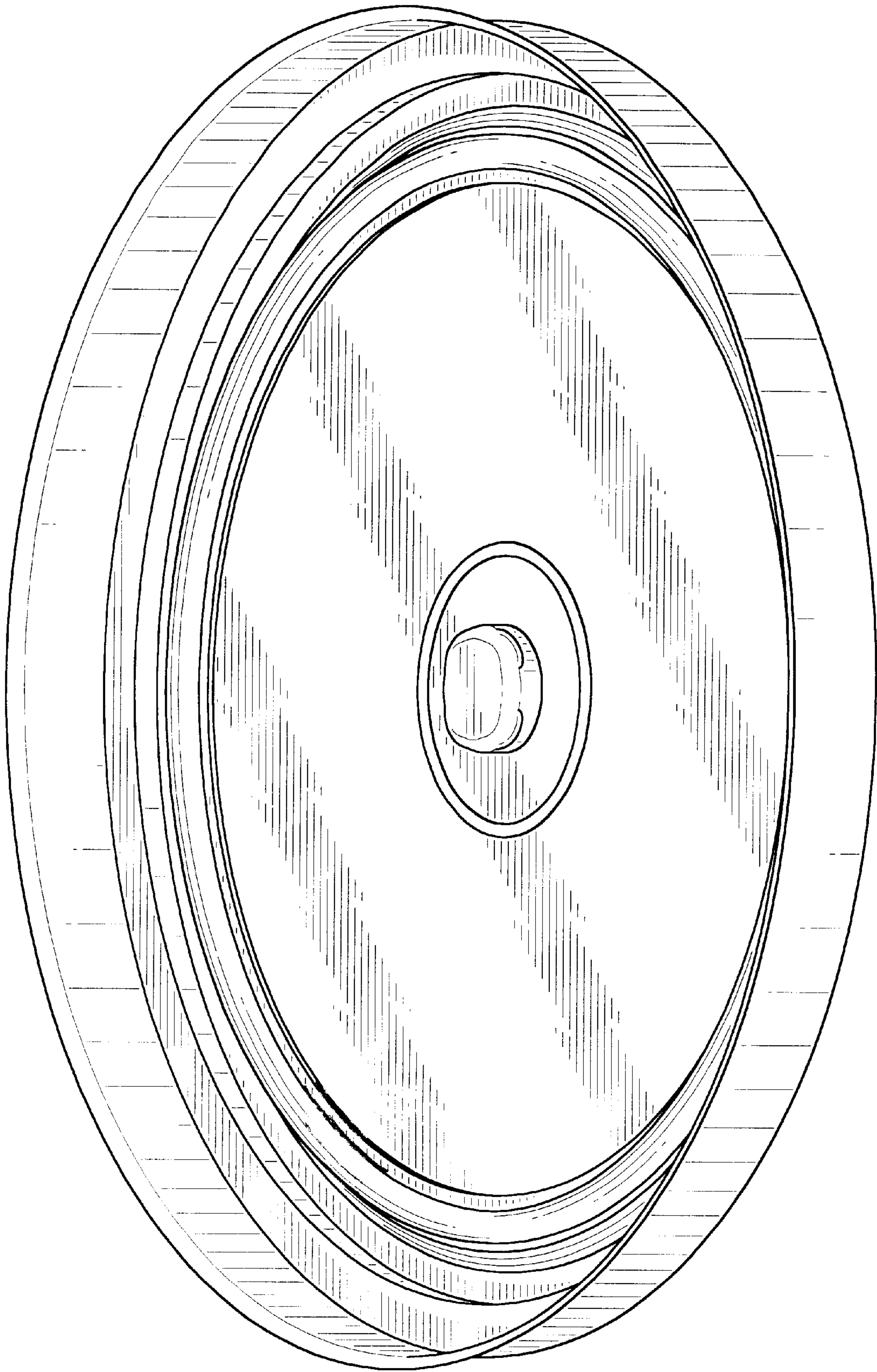


FIG-6

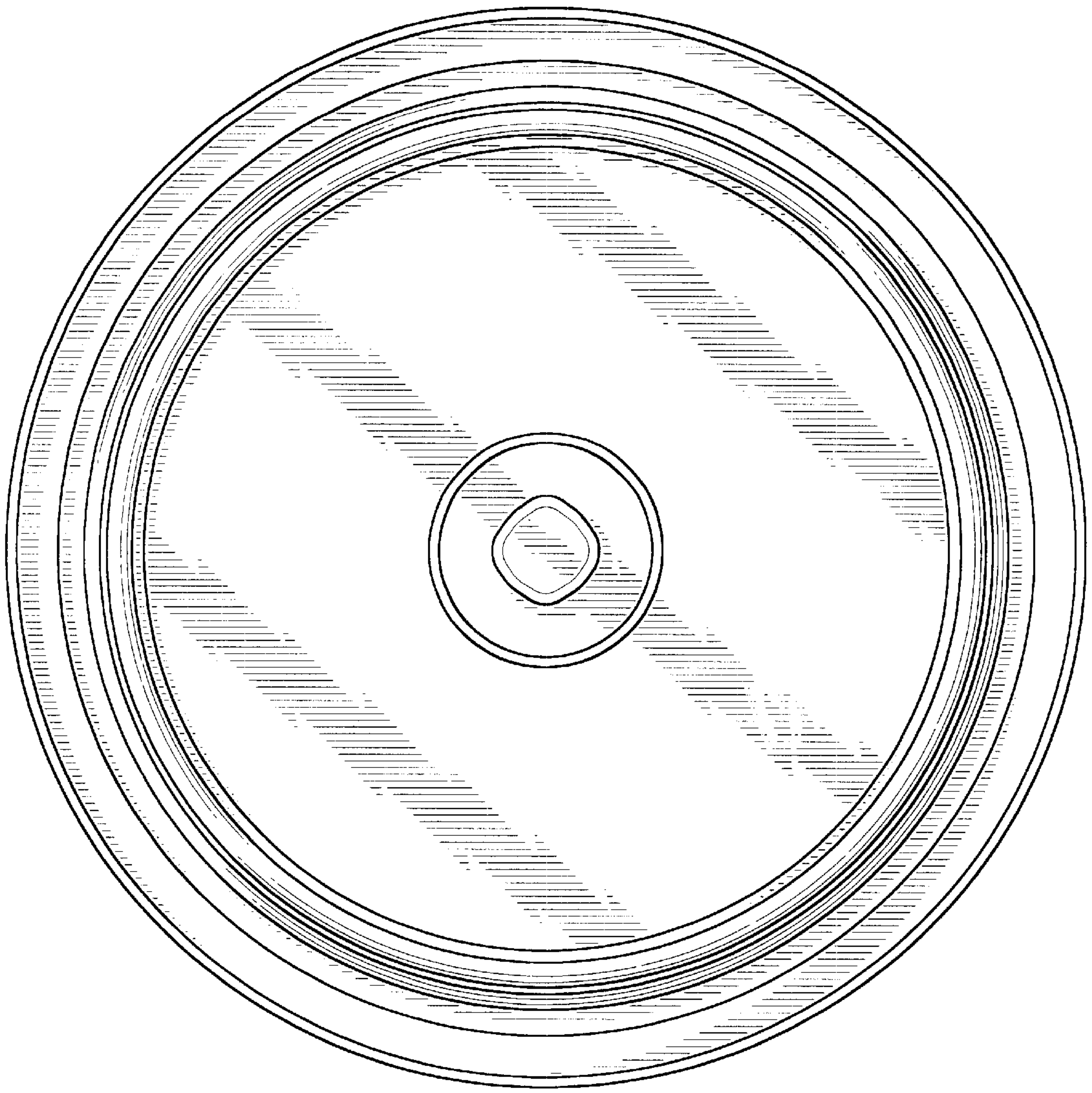


FIG-7

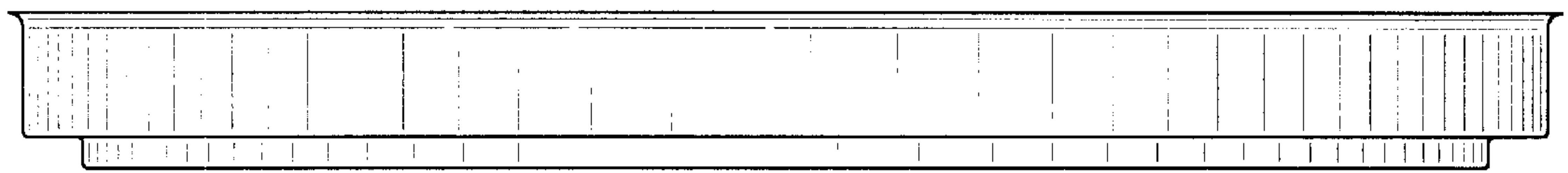


FIG-8

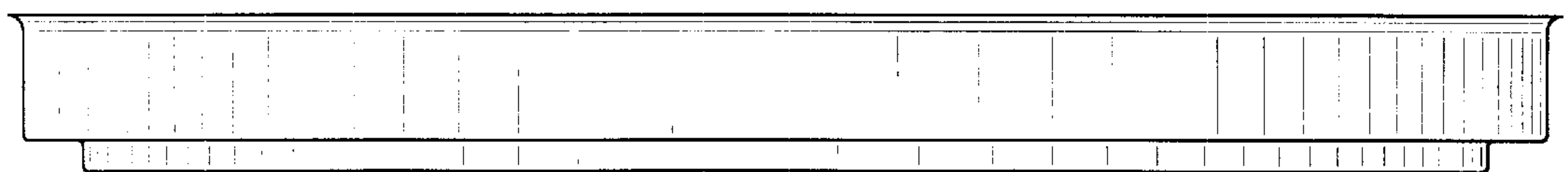


FIG-9

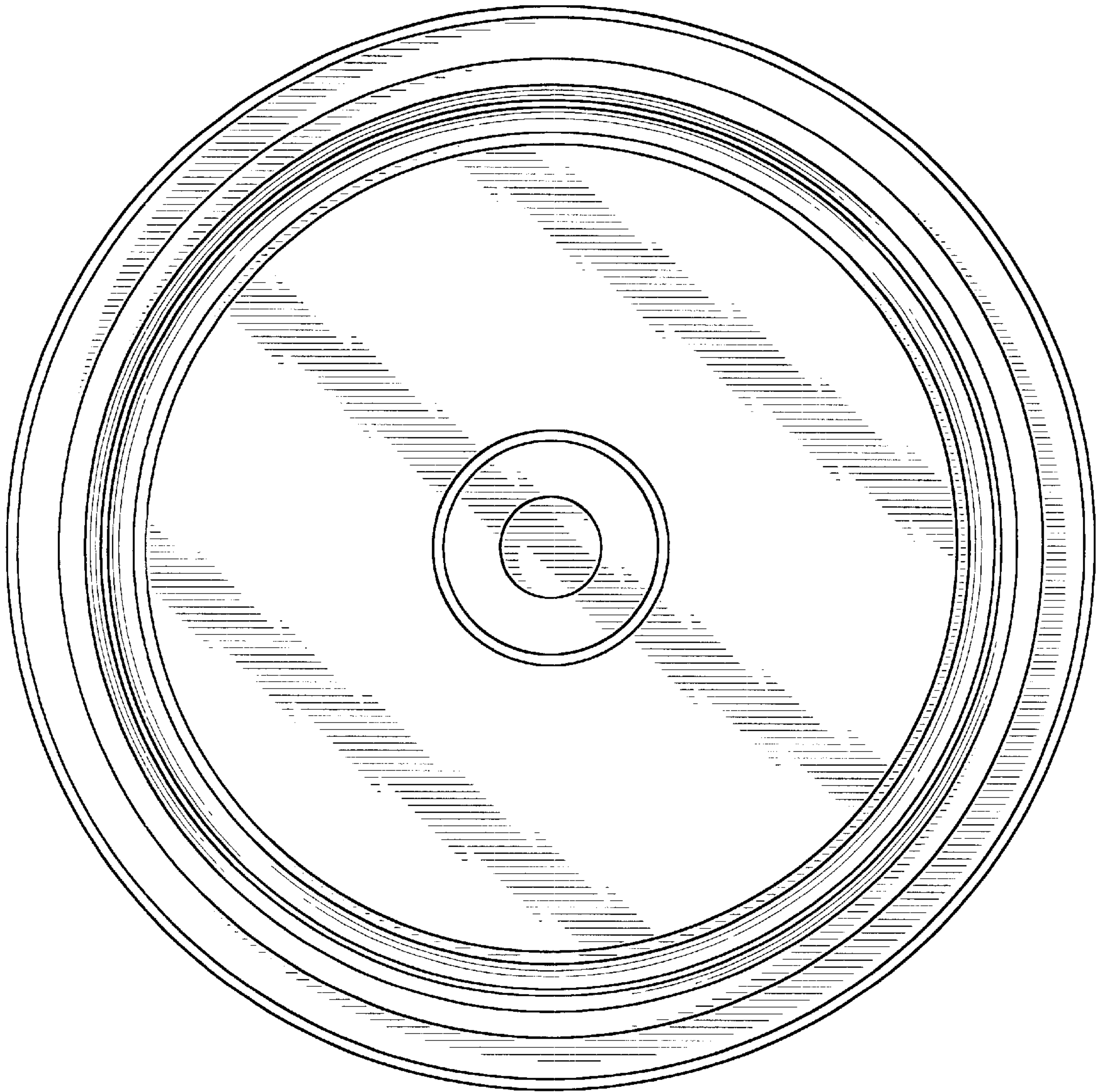


FIG-10