



US00D469295S

(12) **United States Design Patent**
Ten Brink et al.

(10) **Patent No.:** **US D469,295 S**

(45) **Date of Patent:** **** Jan. 28, 2003**

(54) **HOLDER FOR STORAGE OF FLASH MEDIA AND SMART CHIPS**

(75) Inventors: **Carl Ten Brink**, Huntington Beach, CA (US); **Richard Acker**, Manhattan Beach, CA (US); **Christina Chu**, Santa Fe Springs, CA (US); **Joseph A. Grasso**, Santa Fe Springs, CA (US)

(73) Assignee: **Memorex International, Inc.** (VG)

(**) Term: **14 Years**

(21) Appl. No.: **29/139,876**

(22) Filed: **Apr. 6, 2001**

(51) **LOC (7) Cl.** **06-04**

(52) **U.S. Cl.** **D6/634; D6/407; D6/632; D6/635**

(58) **Field of Search** D3/201, 218; D6/407, D6/626-635; D19/26, 27, 32; 206/307.1, 308.1, 308.2, 308.3, 309, 311, 312, 387.11, 387.13, 387.15; 369/37, 75.2, 291; 379/355

(56) **References Cited**

U.S. PATENT DOCUMENTS

D226,146 S	*	1/1973	Price	
4,132,311 A	*	1/1979	Glinert	
4,518,275 A	*	5/1985	Rauch, III et al.	
D280,951 S	*	10/1985	Holland	D6/631
D324,337 S	*	3/1992	Brady	D9/425
5,242,049 A	*	9/1993	Mizuno et al.	206/308.3
D352,199 S	*	11/1994	Stumpff et al.	D6/632
D358,961 S	*	6/1995	Lax	D6/634
D366,802 S	*	2/1996	Roberts et al.	D6/632
D378,333 S	*	3/1997	Anderson	D6/632
D385,145 S	*	10/1997	VerWeyst et al.	D6/632

5,695,054 A	*	12/1997	Weisburn et al.	206/308.1
5,769,217 A	*	6/1998	Derraugh et al.	206/308.1
5,772,018 A	*	6/1998	Walch	206/308.1
5,971,149 A	*	10/1999	Sakurai	206/387.13
D430,444 S	*	9/2000	Allsop et al.	D6/632
D431,955 S	*	10/2000	Peterson et al.	D6/632
D431,956 S	*	10/2000	Chouraqui et al.	D6/635
D443,169 S	*	6/2001	Sankey et al.	D6/632
D447,663 S	*	9/2001	Myszka et al.	D6/634
D448,599 S	*	10/2001	de Gruchy et al.	D6/632

* cited by examiner

Primary Examiner—Celia Murphy

(74) *Attorney, Agent, or Firm*—Heller Ehrman White & McAuliffe LLP

(57) **CLAIM**

The ornamental design for a holder for storage of flash media and smart chips.

DESCRIPTION

FIG. 1 is a perspective view of the holder for storage of flash media and smart chips in the open position showing our new design;

FIG. 2 is a front view of our design in the open position; FIG. 3 is a top view of our design in the open position; FIG. 4 is a bottom view of our design in the open position; FIG. 5 is a back view of our design in the open position; FIG. 6 is a left side view of our design in the open position of FIG. 1, the right side view being a mirror image thereof; FIG. 7 is a front view of our design in the closed position; FIG. 8 is a back view of our design in the closed position; and,

FIG. 9-11 show an ornamental design fo a holder for storage of flash media and smart chips.

1 Claim, 5 Drawing Sheets

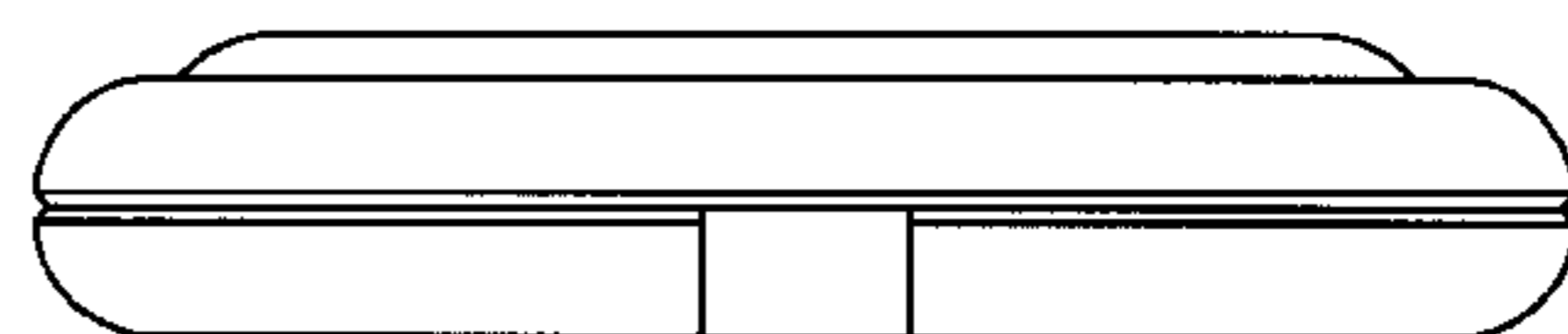
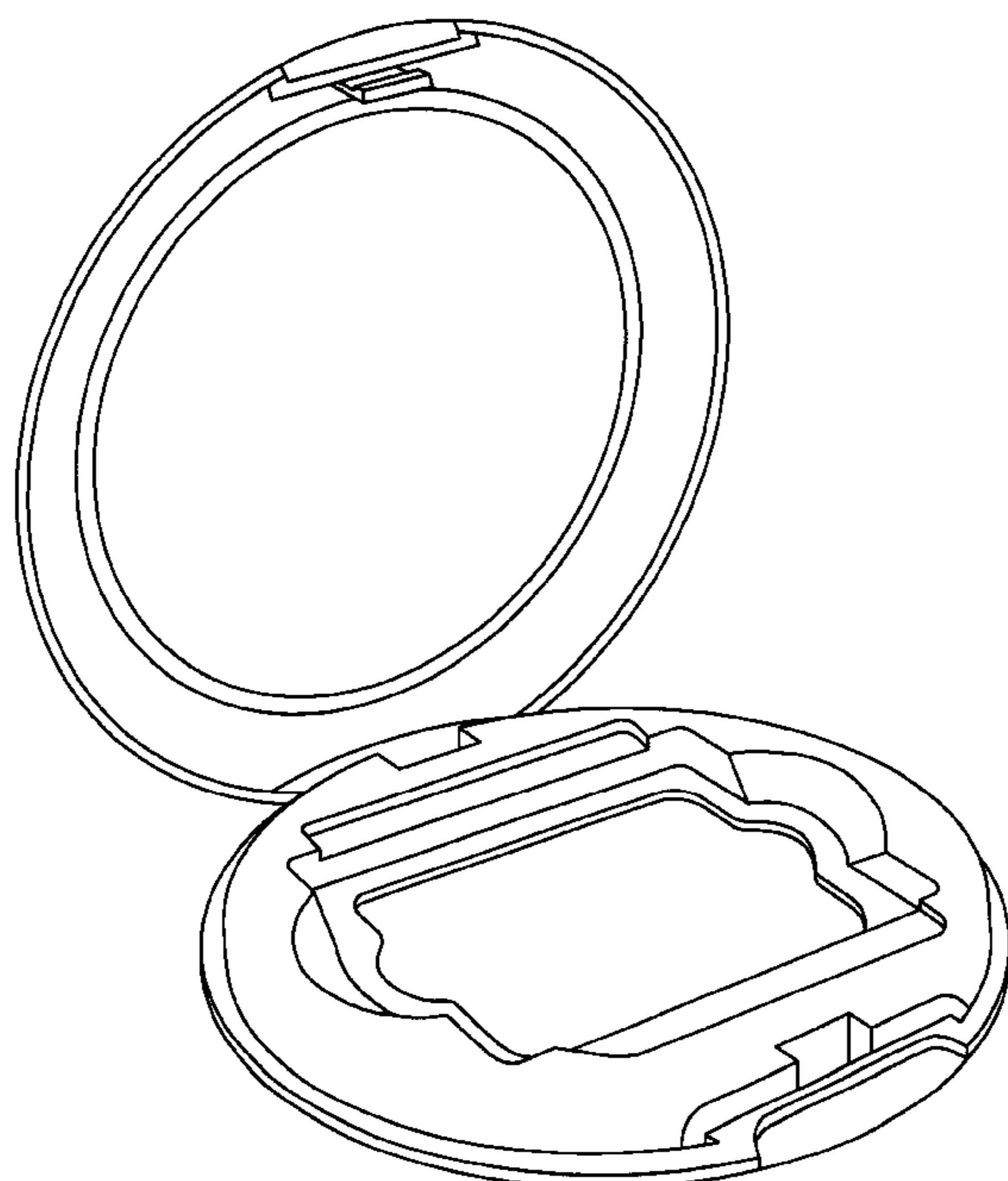


FIG. 1

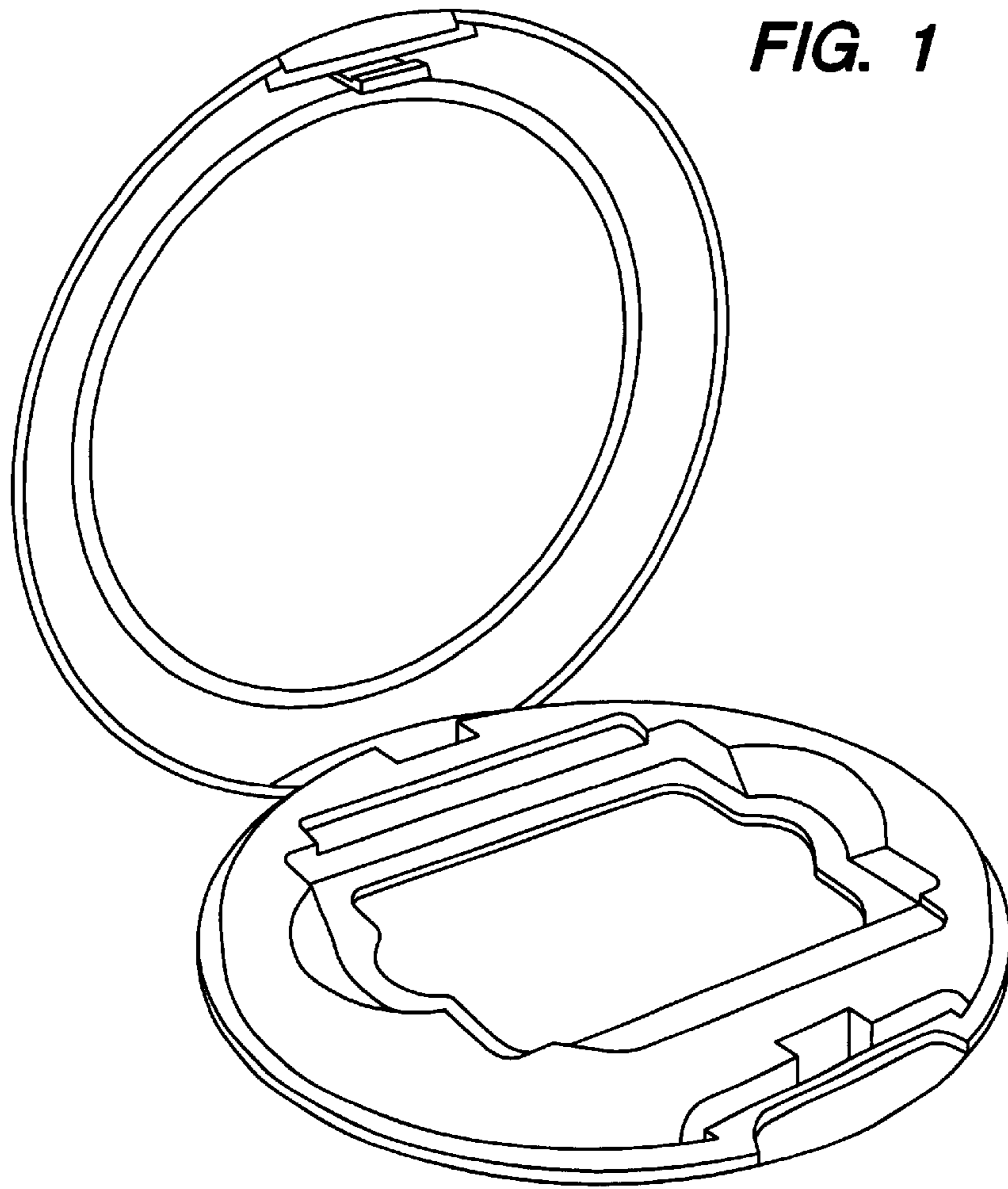


FIG. 2

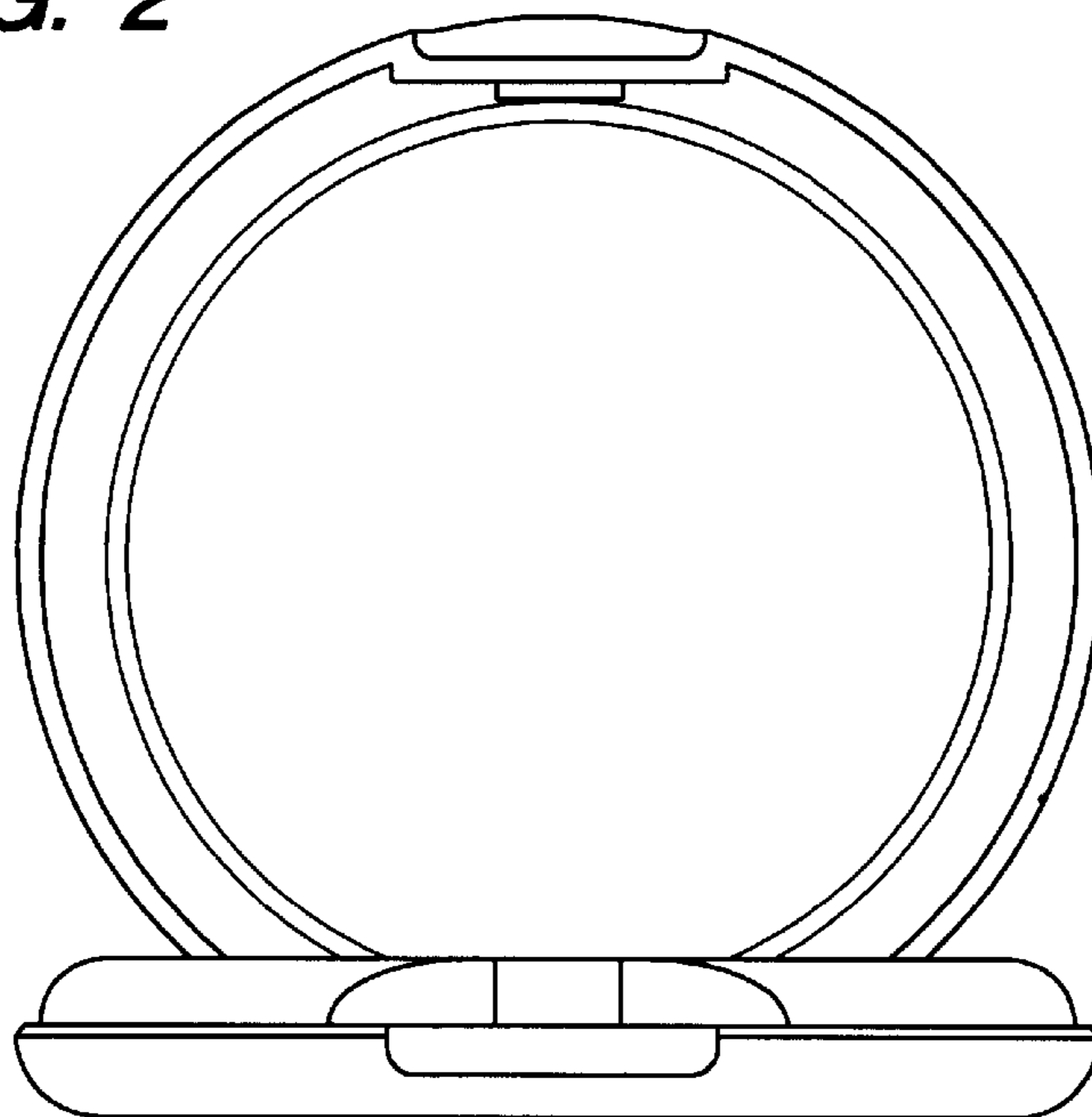


FIG. 3

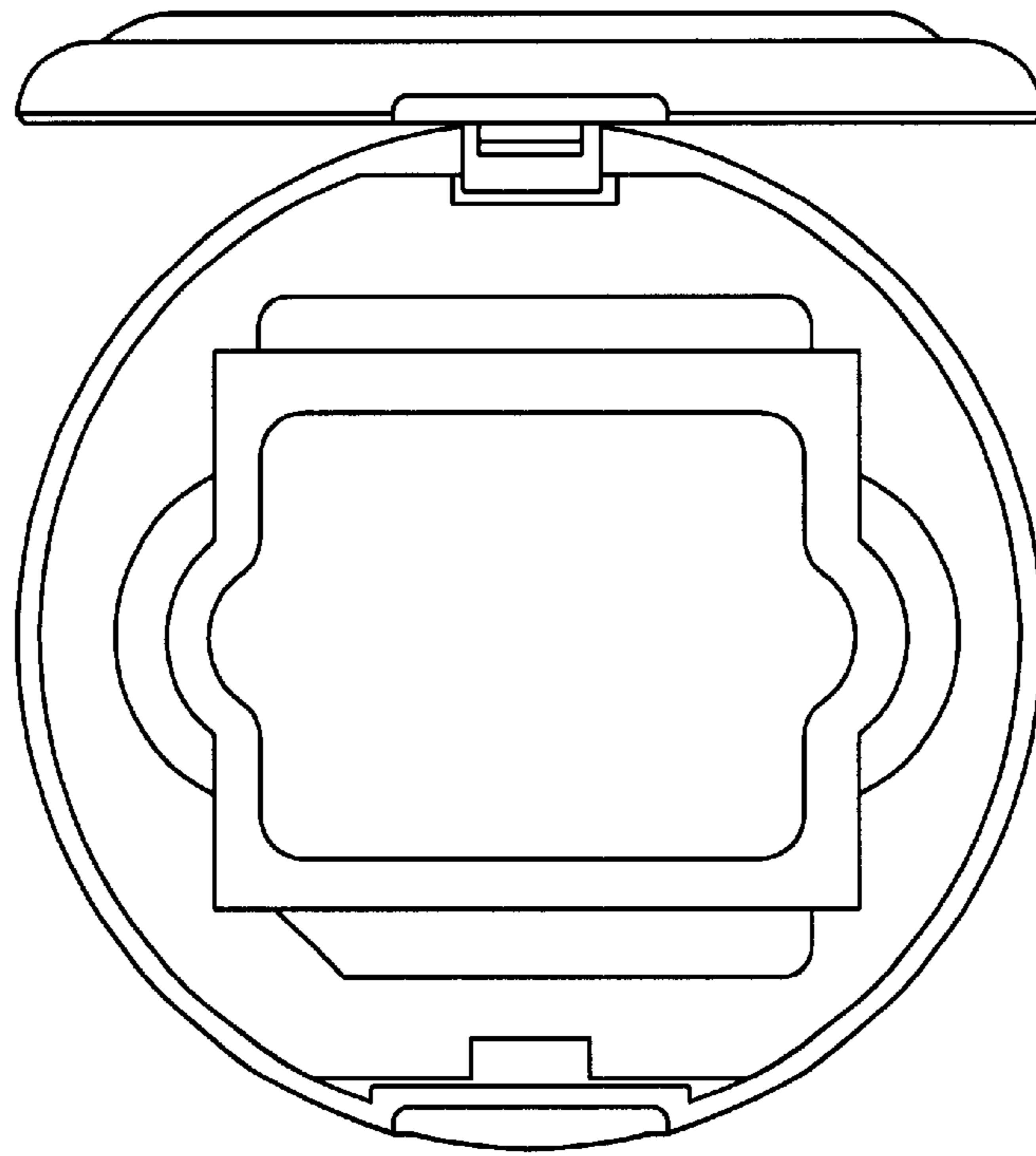


FIG. 4

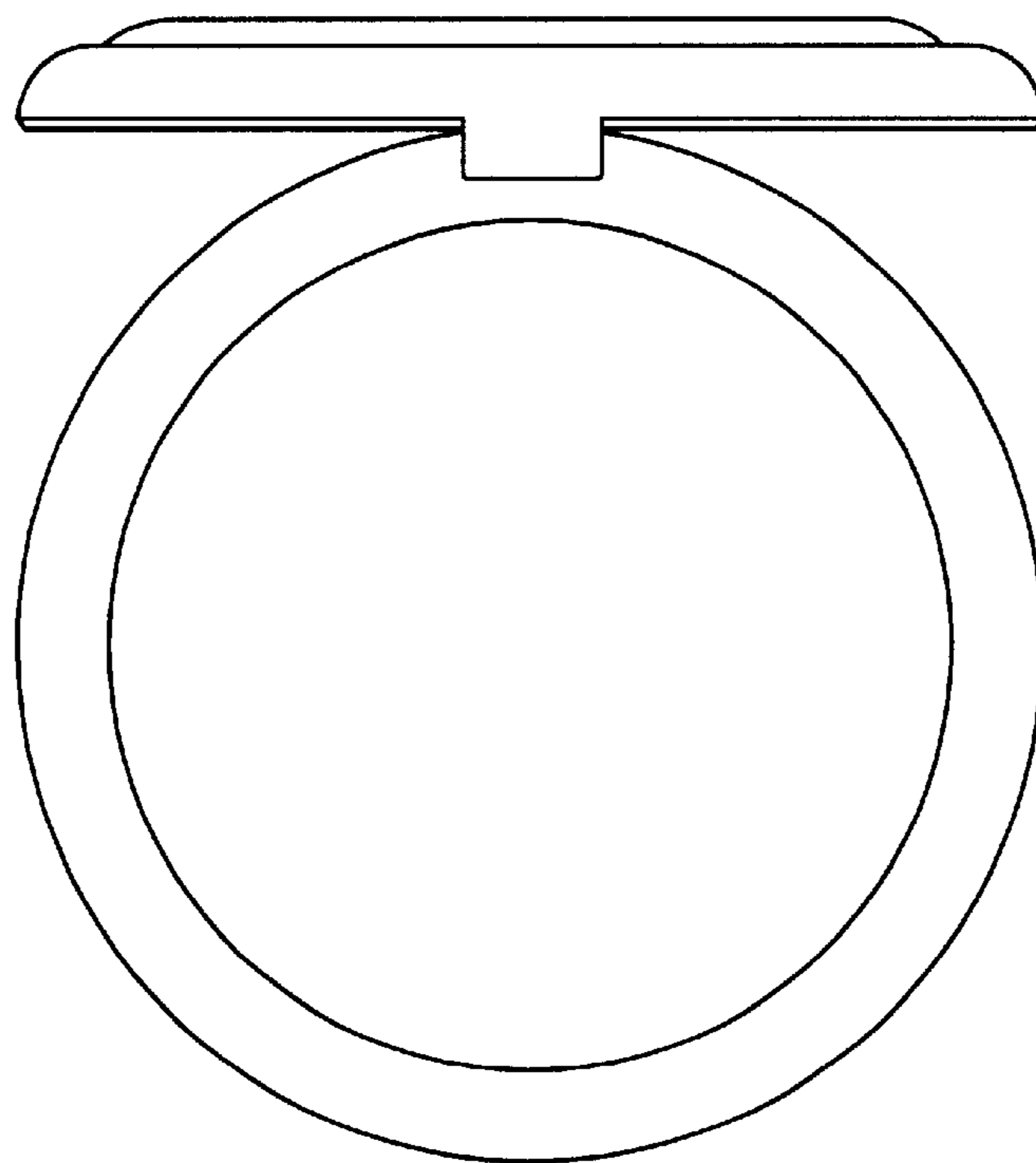


FIG. 5

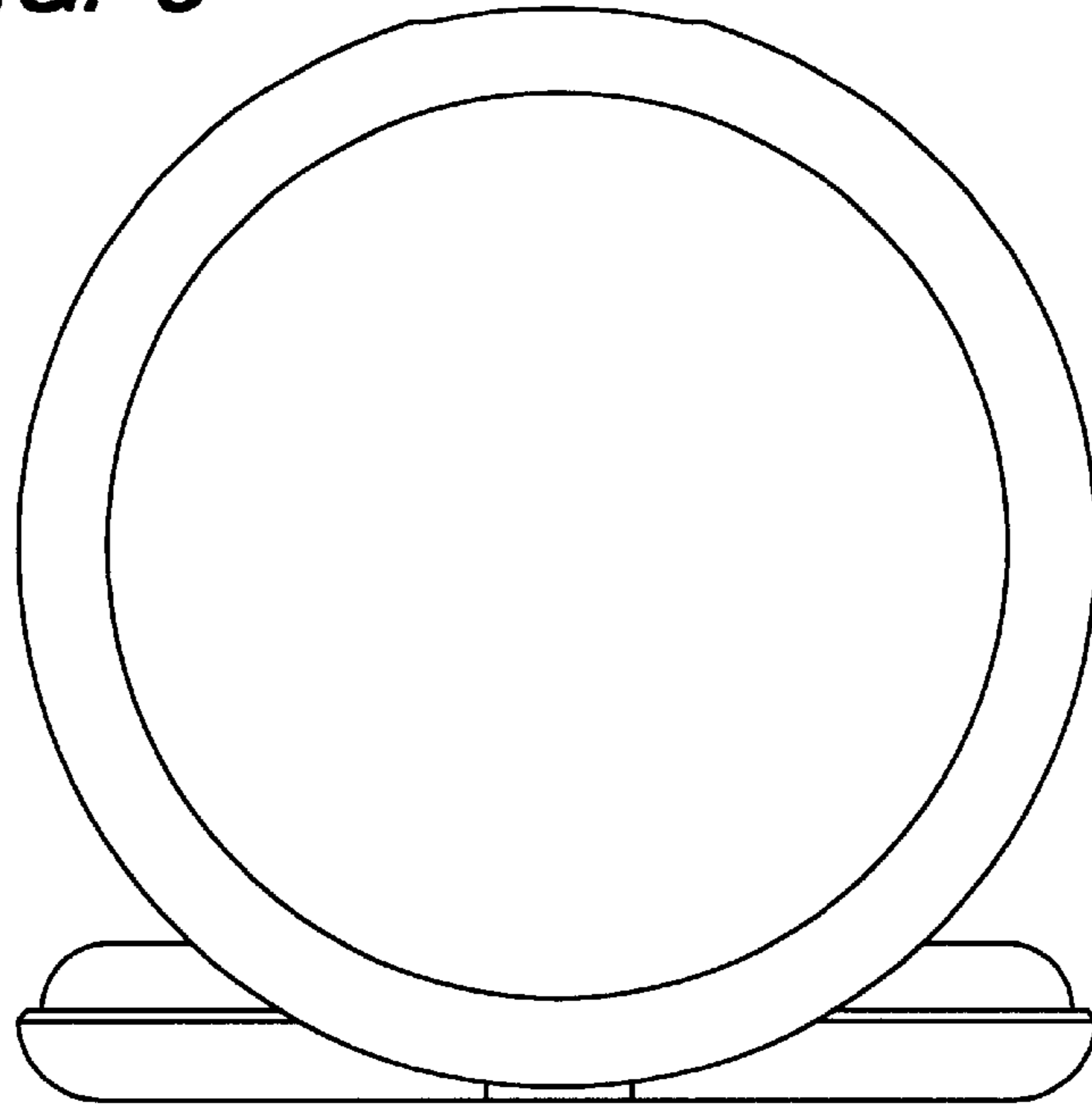


FIG. 6

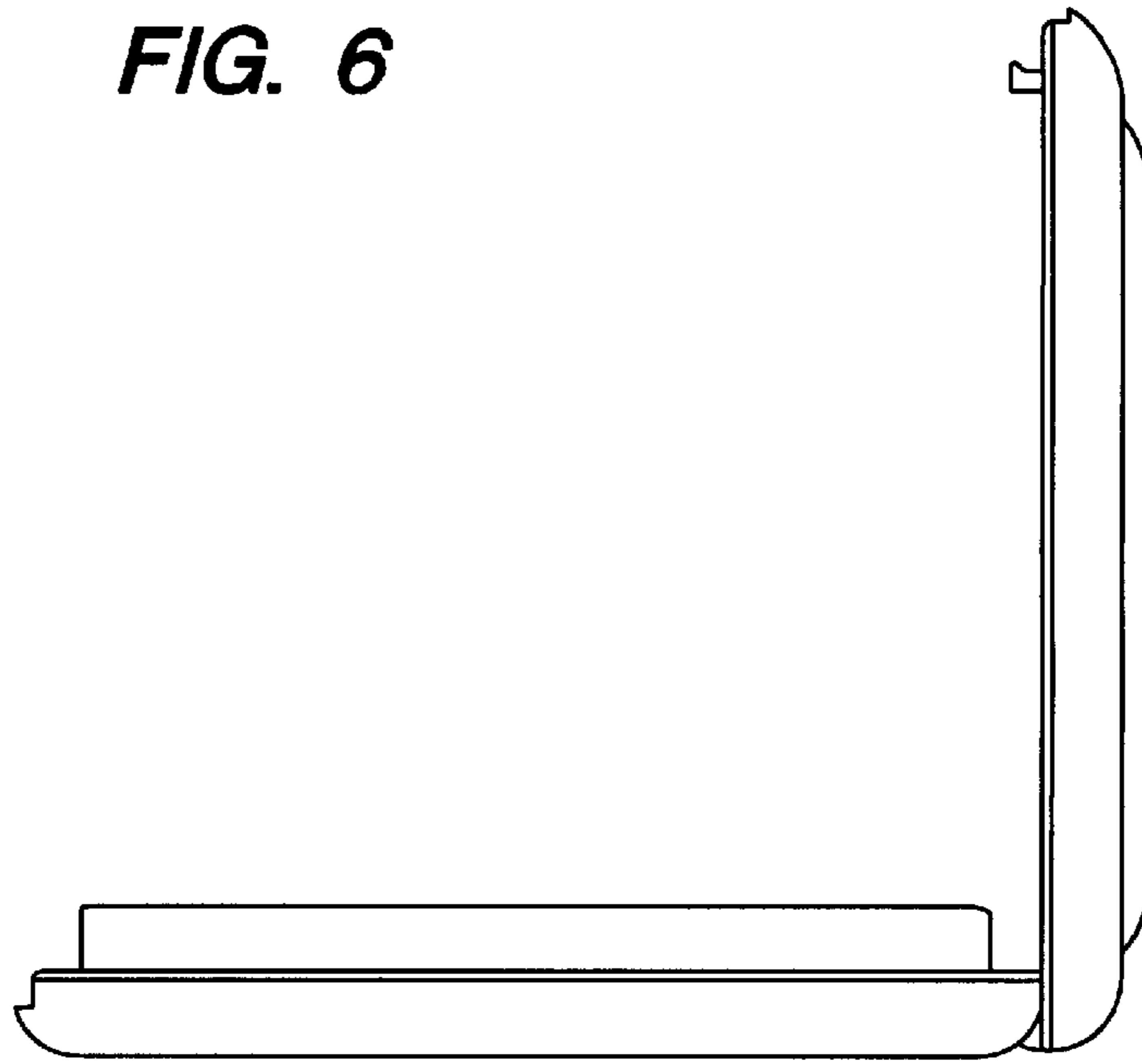


FIG. 7

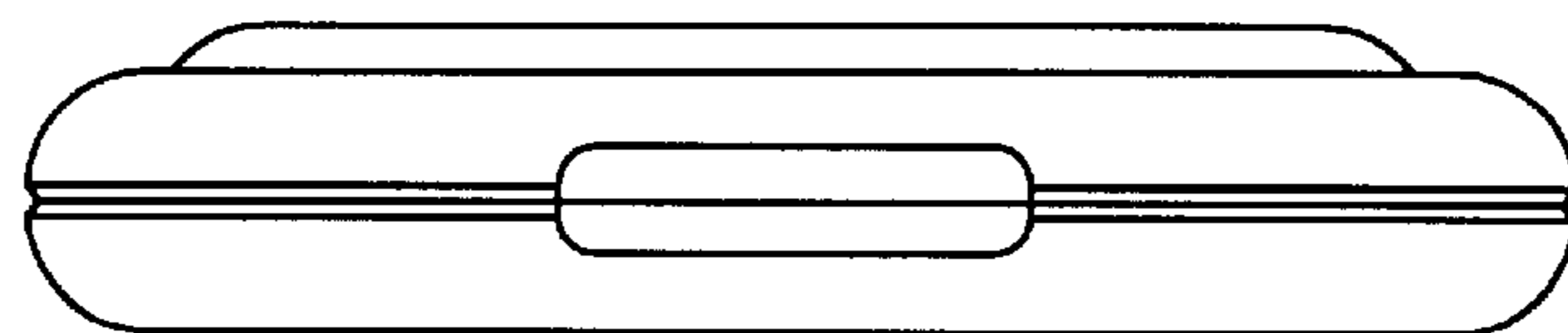


FIG. 8

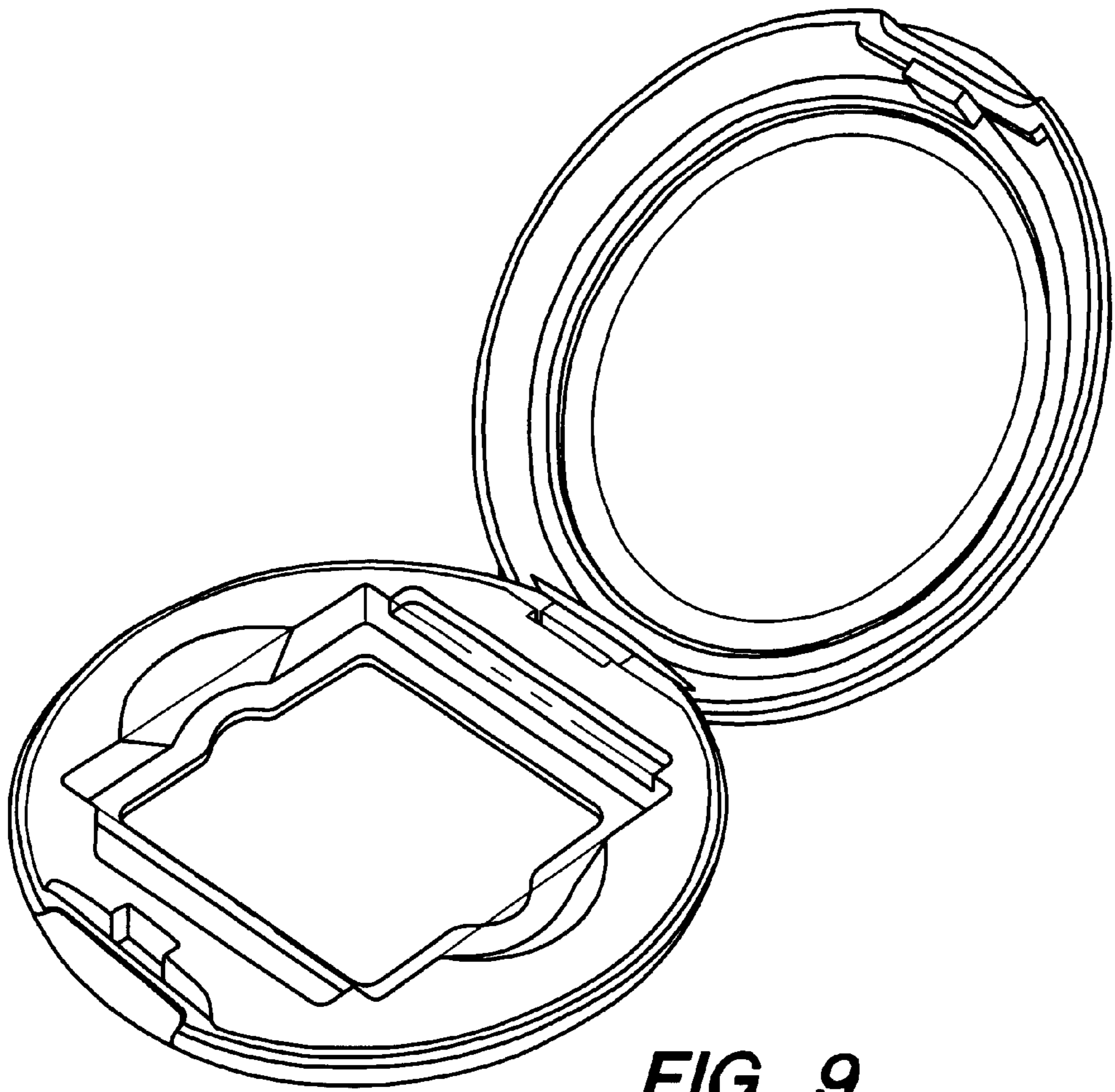
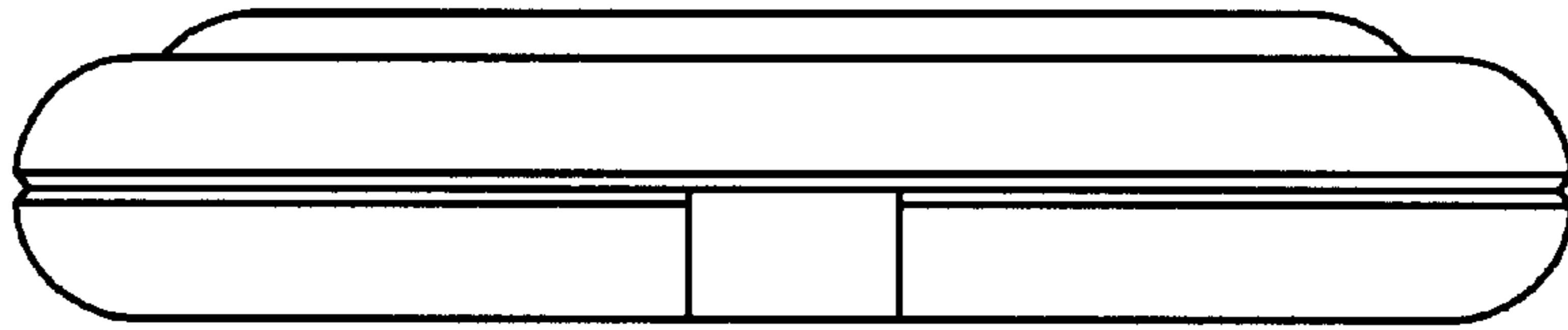
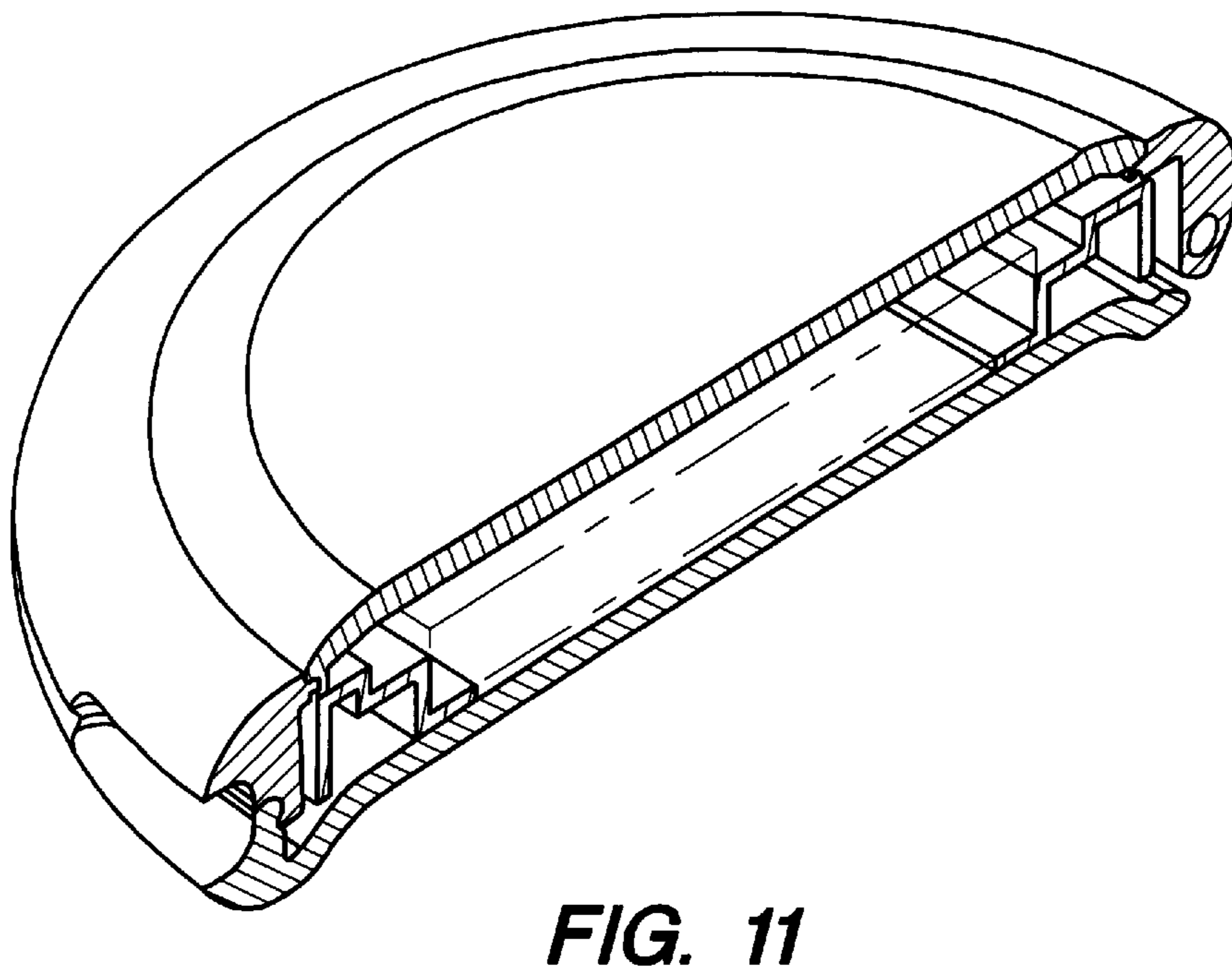
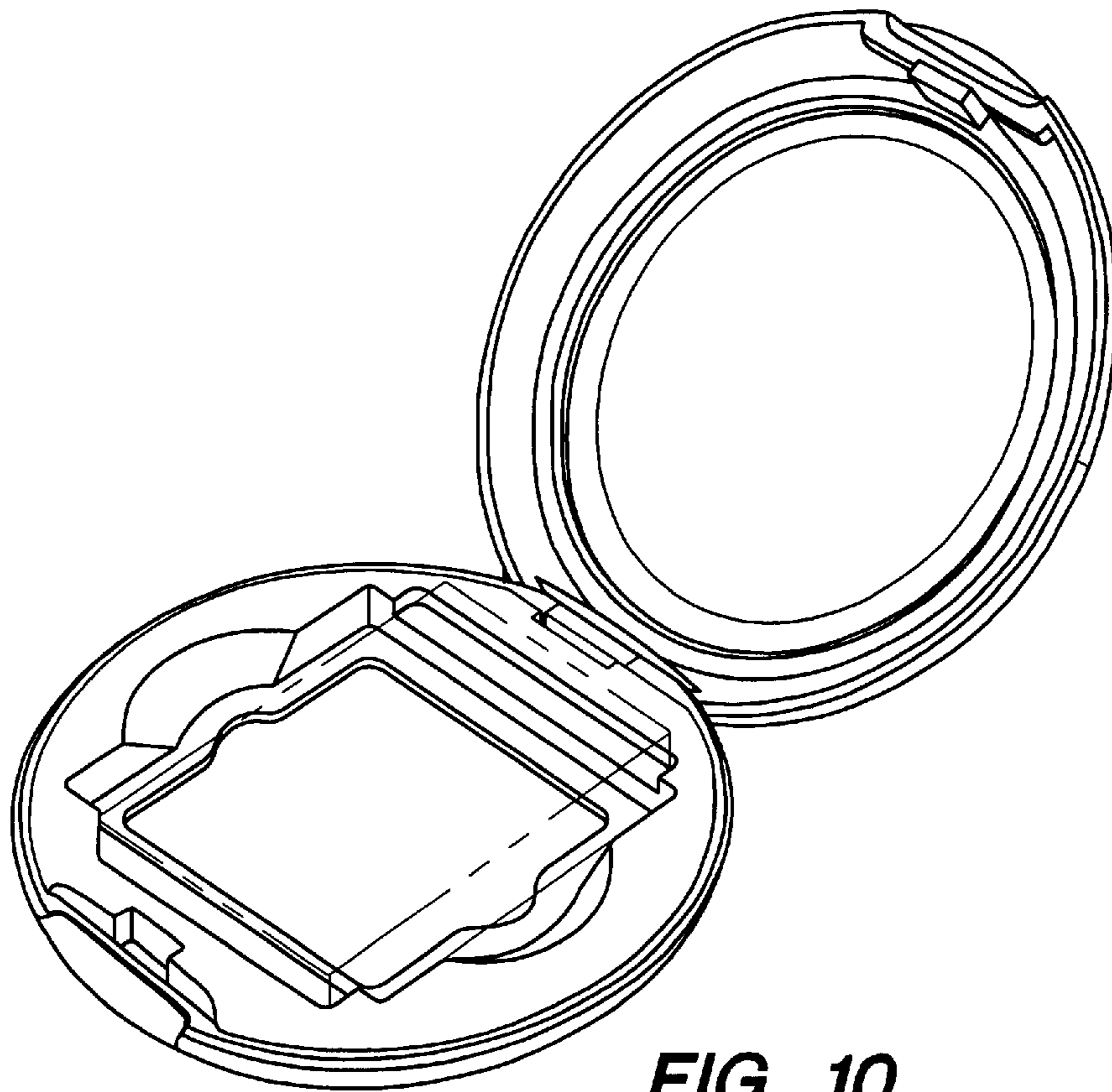


FIG. 9



UNITED STATES PATENT AND TRADEMARK OFFICE
CERTIFICATE OF CORRECTION

PATENT NO. : Des. 469,295 S
DATED : January 28, 2003
INVENTOR(S) : Ten Brink, Carl et al.

Page 1 of 1

It is certified that error appears in the above-identified patent and that said Letters Patent is hereby corrected as shown below:

Title page,

Item [73], the assignee's name should be spelled -- **Memorex International Inc.** --

Signed and Sealed this

Fifteenth Day of July, 2003

A handwritten signature in black ink, appearing to read "James E. Rogan", with a horizontal line drawn underneath it.

JAMES E. ROGAN
Director of the United States Patent and Trademark Office