



US00D469292S

(12) **United States Design Patent**  
**Chen et al.**

(10) **Patent No.:** **US D469,292 S**  
(45) **Date of Patent:** **\*\* Jan. 28, 2003**

(54) **TOWEL BAR POST**  
(75) Inventors: **Chung-Fang Chen**, Taichung (TW);  
**Ming Ouyoung**, Taichung Export  
Processing Zone (TW)  
(73) Assignee: **Globe Union America Corporation**,  
Bolingbrook, IL (US)  
(\*\*) Term: **14 Years**

D337,230 S	*	7/1993	Wang	.....	D6/550
D362,361 S		9/1995	Lehn et al.	.....	D6/523
D390,397 S		2/1998	Chen	.....	D6/550
D408,669 S		4/1999	Kuo	.....	D6/550
D417,112 S		11/1999	Chen	.....	D6/546
D417,989 S		12/1999	Moore et al.	.....	D6/524
D417,995 S	*	12/1999	Chen	.....	D6/550
D424,354 S		5/2000	Duggan	.....	D6/550
D452,790 S	*	1/2002	Chen	.....	D6/524
D454,744 S	*	3/2002	Ou-Young	.....	D6/550

\* cited by examiner

(21) Appl. No.: **29/150,352**  
(22) Filed: **Nov. 20, 2001**

*Primary Examiner*—Brian N. Vinson  
(74) *Attorney, Agent, or Firm*—Brinks Hofer Gilson &  
Lione

(51) **LOC (7) Cl.** ..... **06-04**  
(52) **U.S. Cl.** ..... **D6/550**  
(58) **Field of Search** ..... D6/546-50, 518,  
D6/522-24; D8/300, 307-308, 315-20;  
108/29; 211/13.1, 16, 60.1, 86.01, 87.01,  
88.04, 105.1-105.2, 106, 123, 181.1; 242/570,  
588-90, 597-98; 248/49, 175, 200-201,  
205.1, 214, 251-54, 261, 302, 304, 309.1,  
314-17

(57) **CLAIM**

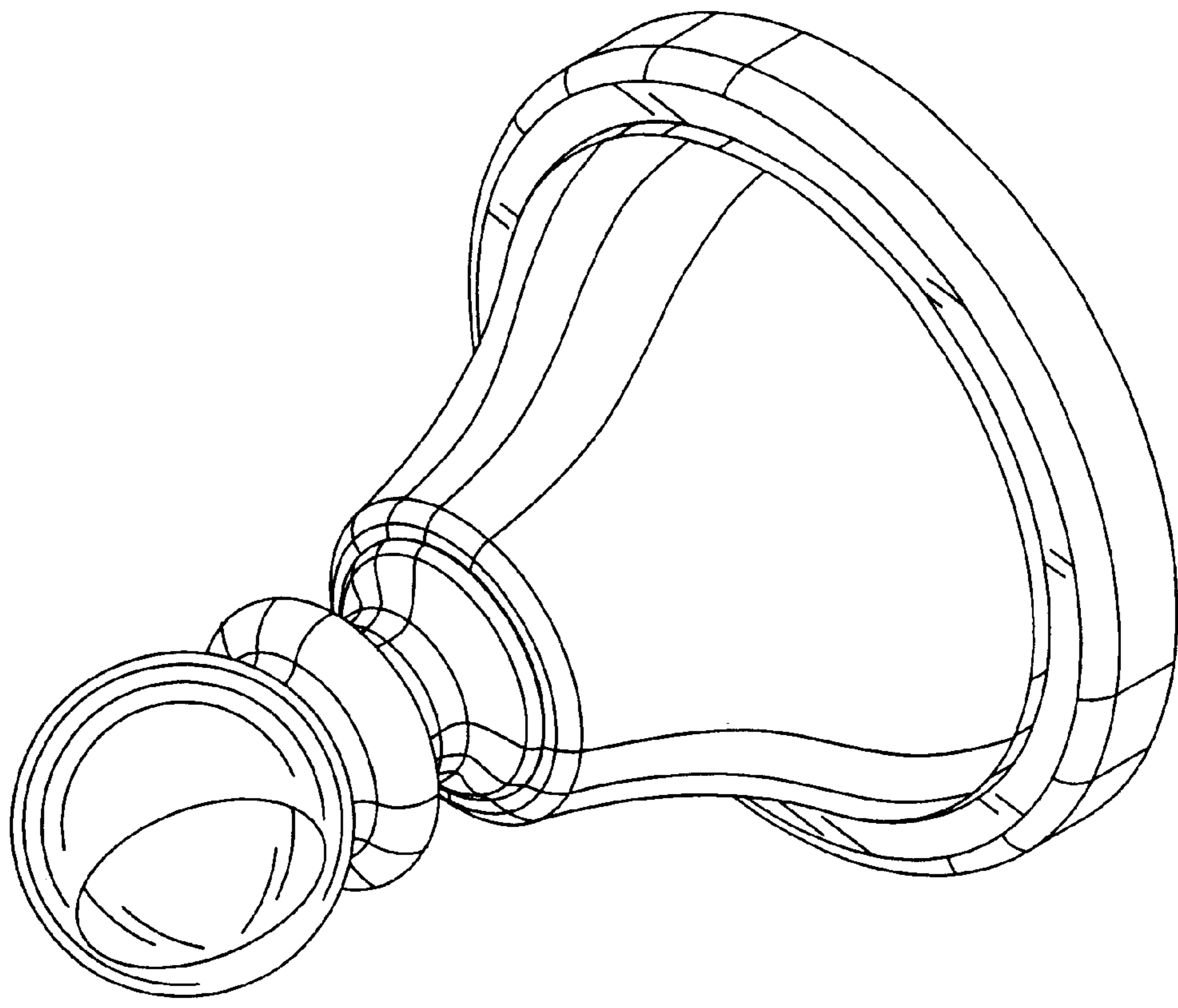
The ornamental design for a towel bar post, as shown and described.

**DESCRIPTION**

FIG. 1 is a perspective view showing our new design.  
FIG. 2 is a bottom elevational view thereof.  
FIG. 3 is a top elevational view thereof.  
FIG. 4 is a left elevational view thereof.  
FIG. 5 is a right elevational view thereof.  
FIG. 6 is a front elevational view thereof; and,  
FIG. 7 is a rear elevational view thereof.

(56) **References Cited**  
U.S. PATENT DOCUMENTS  
D318,590 S 7/1991 McKeone ..... D6/524  
D328,215 S 7/1992 McKeone ..... D6/524  
D337,014 S 7/1993 Wang ..... D6/550

**1 Claim, 4 Drawing Sheets**



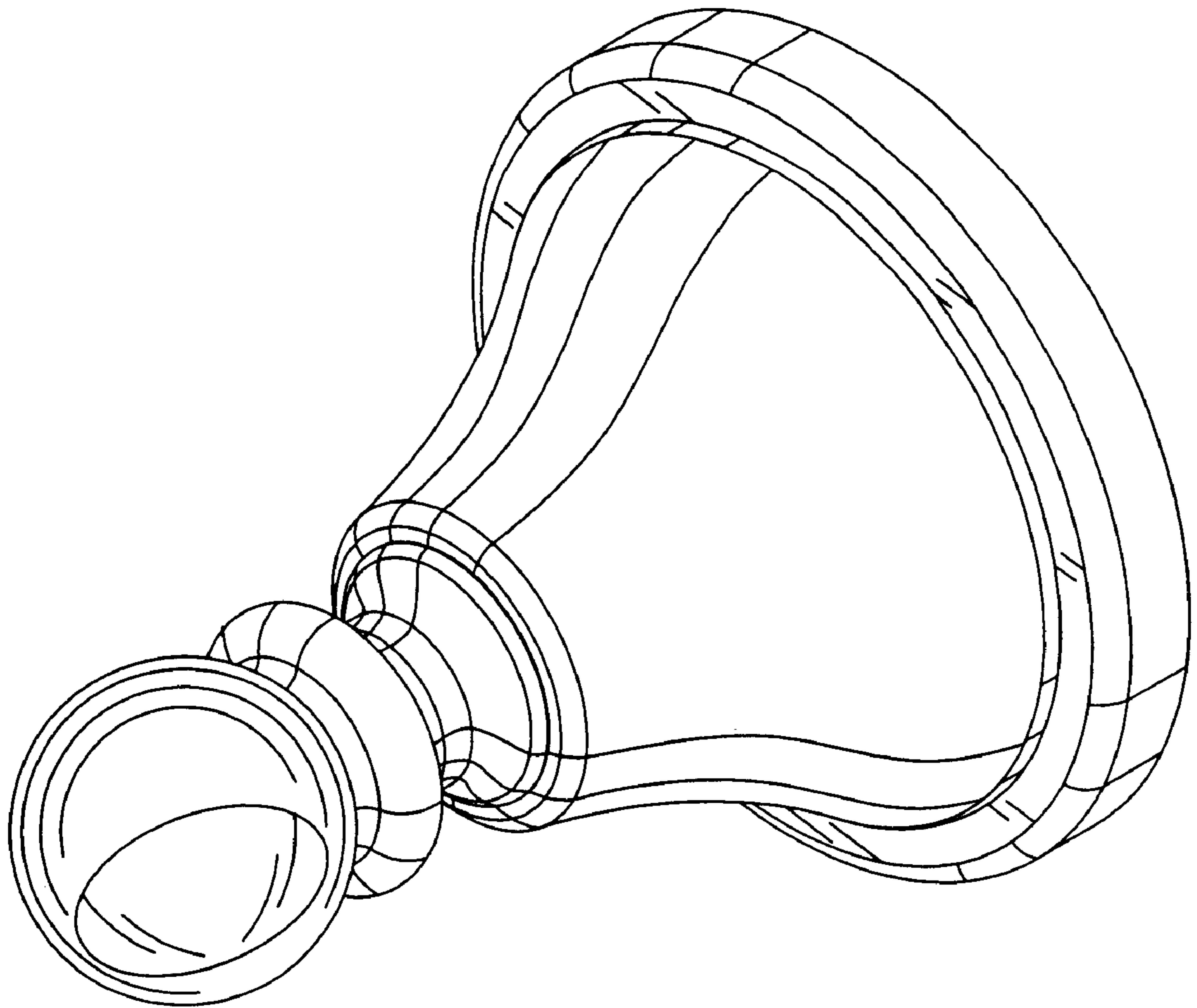


Fig. 1

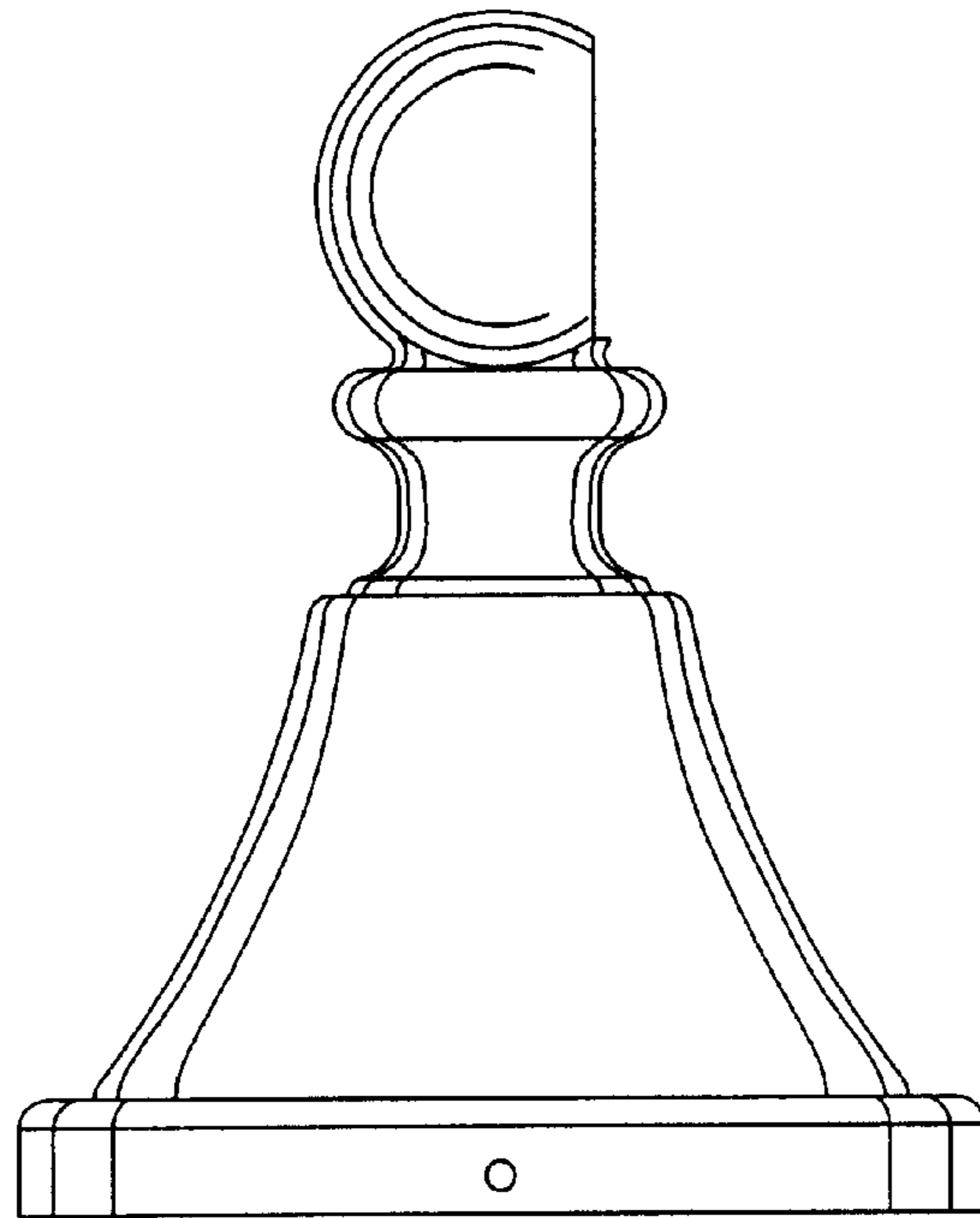


Fig. 2

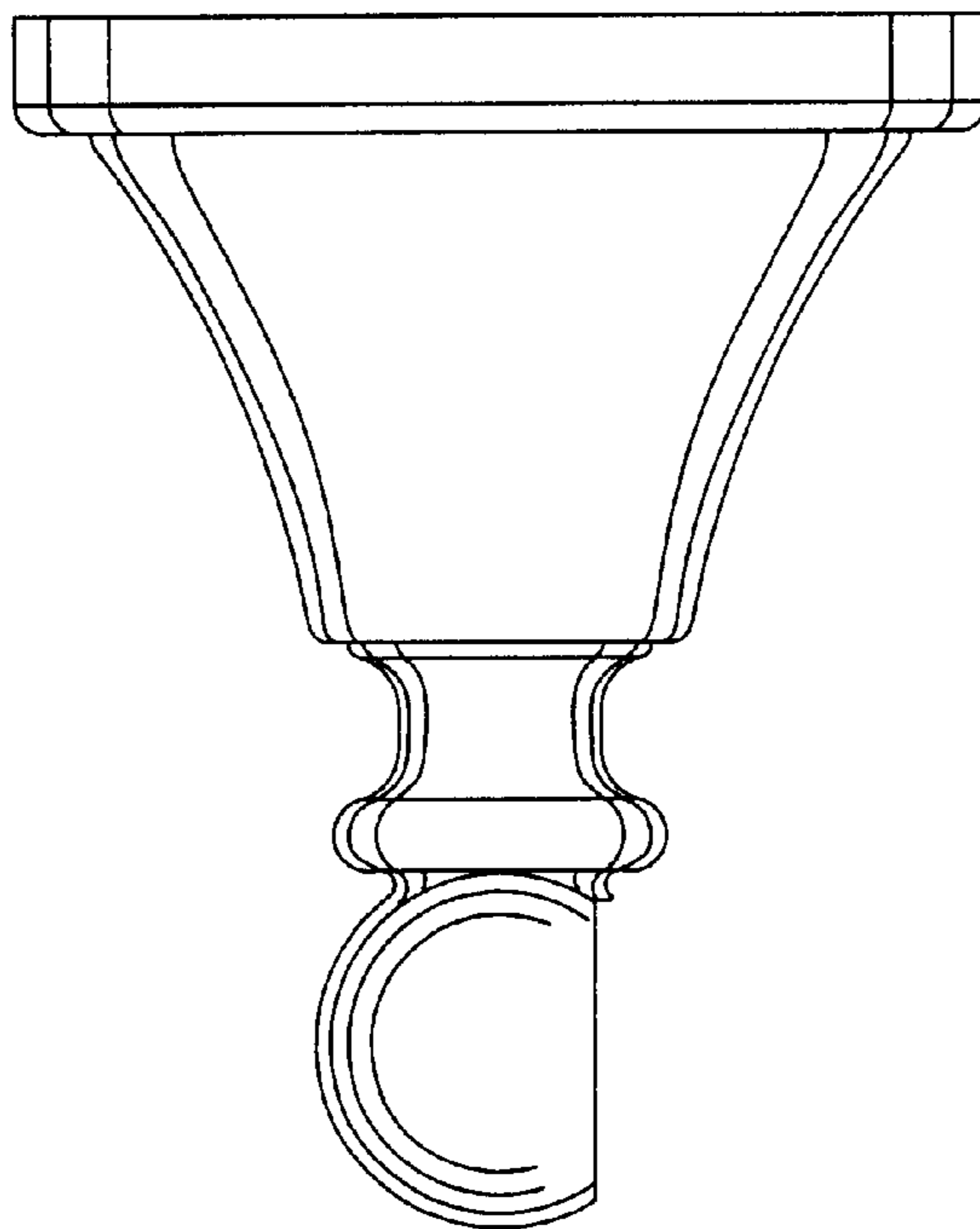


Fig. 3

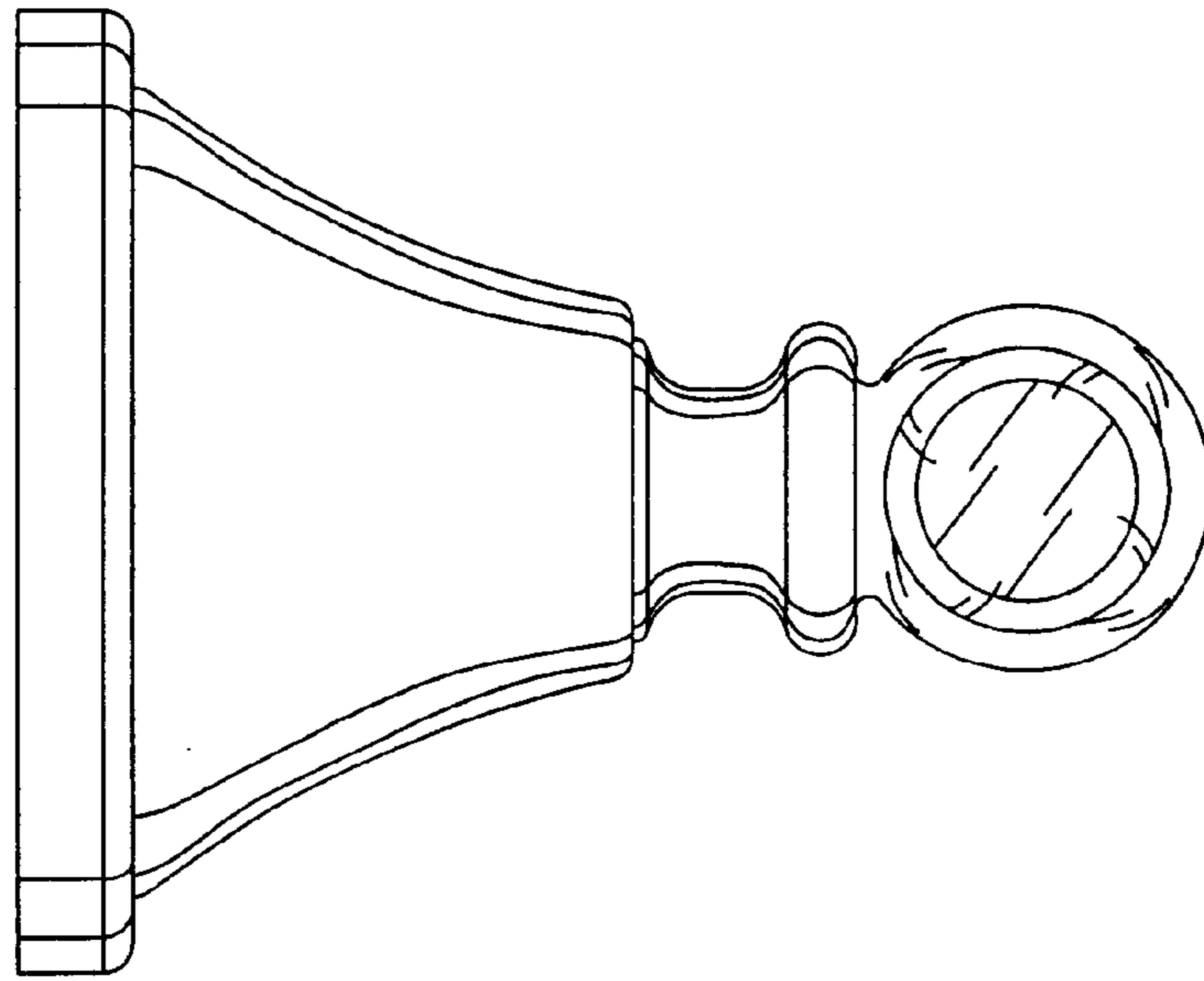


Fig. 4

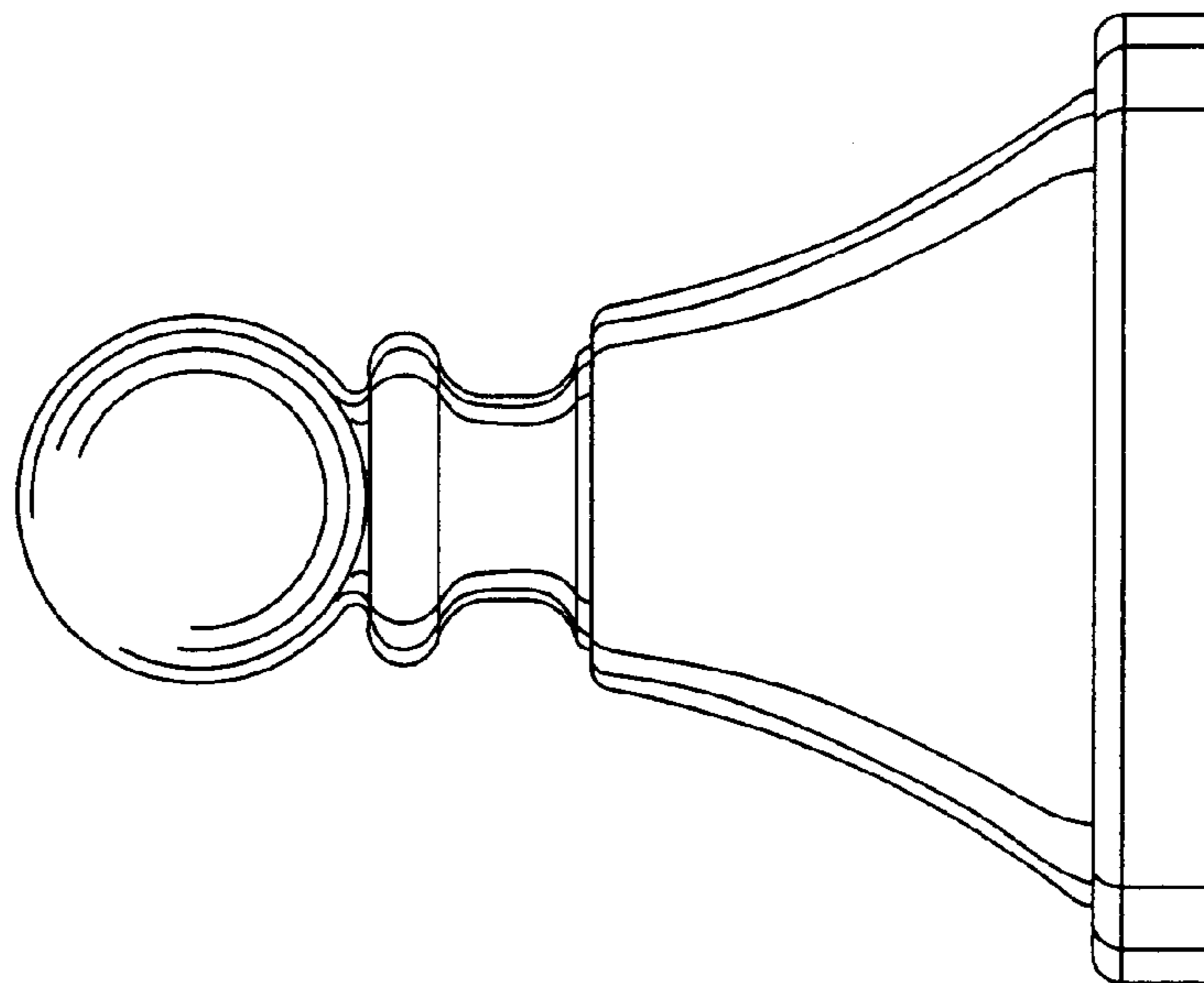


Fig. 5

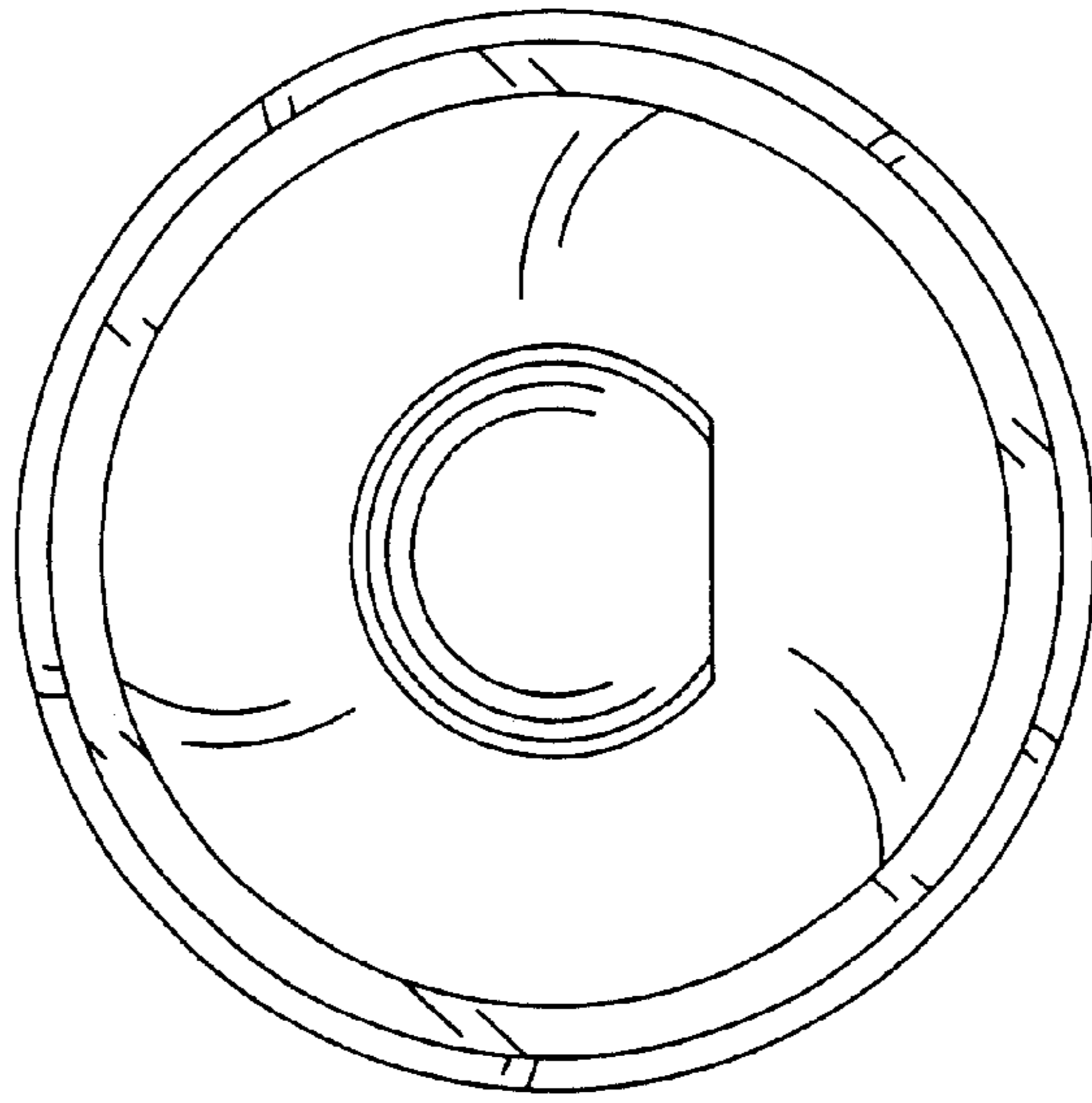


Fig. 6

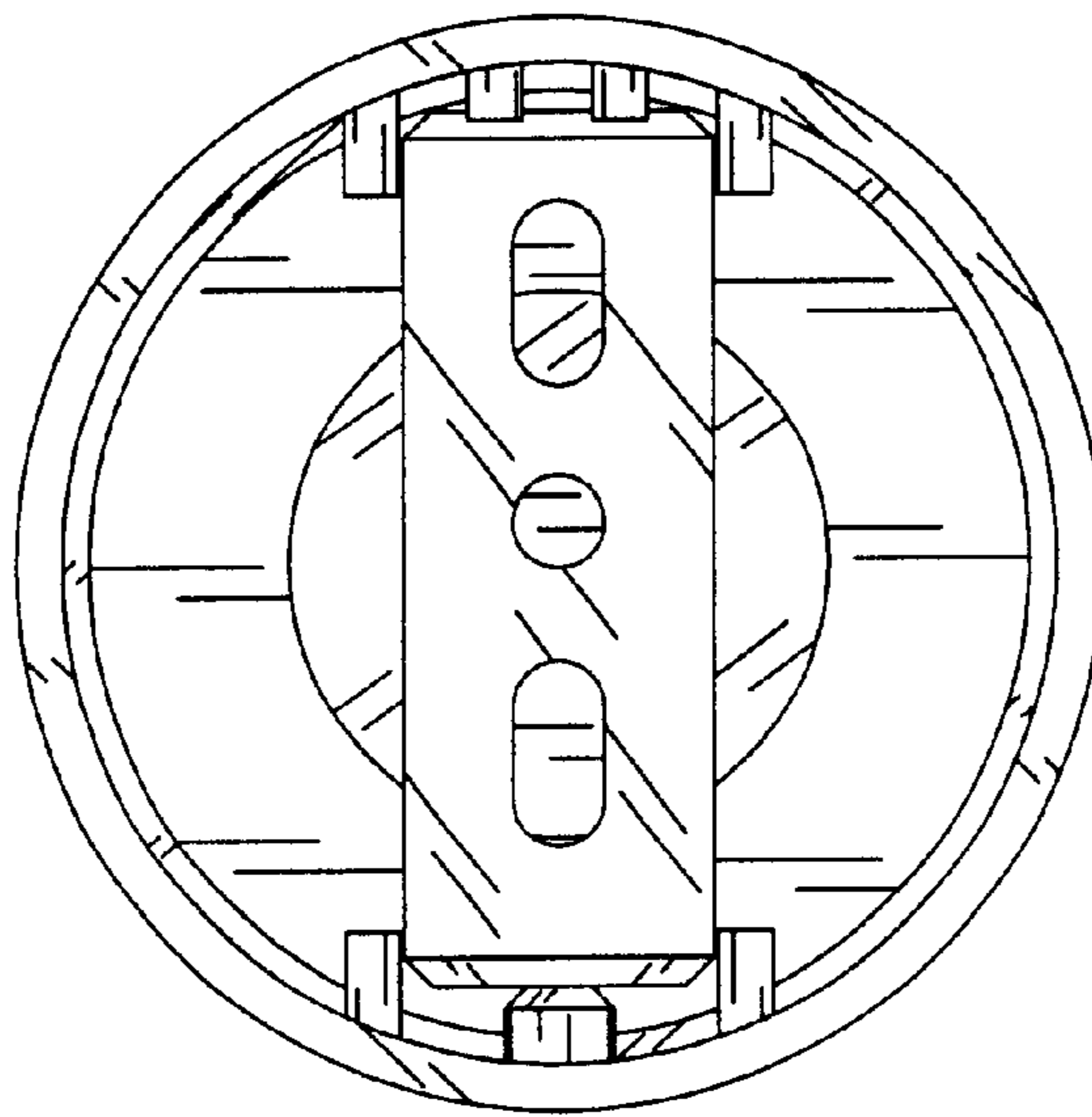


Fig. 7