



US00D469288S

(12) **United States Design Patent**  
**Wray et al.**

(10) **Patent No.:** **US D469,288 S**

(45) **Date of Patent:** **\*\* Jan. 28, 2003**

(54) **PORTABLE WET WIPE CONTAINER  
HAVING BATTERY-POWERED WARMER**

(76) Inventors: **Joan M. Wray**, 678 Hungry Harbor Rd., Valley Stream, NY (US) 11581-3039; **Anton A. Wray**, 678 Hungry Harbor Rd., Valley Stream, NY (US) 11581-3039

(\*\*) Term: **14 Years**

(21) Appl. No.: **29/154,108**

(22) Filed: **Jan. 18, 2002**

(51) **LOC (7) Cl.** ..... **20-02**

(52) **U.S. Cl.** ..... **D6/518**

(58) **Field of Search** ..... D6/515-523; D3/901; 206/449, 557, 812; 221/33, 45, 282; 222/173

(56) **References Cited**

**U.S. PATENT DOCUMENTS**

- 3,780,908 A \* 12/1973 Fitzpatrick et al. .... 206/812 X
- 3,978,238 A 8/1976 Frey et al.
- 4,463,664 A 8/1984 Peace
- 4,700,048 A 10/1987 Levy
- 4,904,524 A 2/1990 Yoh

- 5,036,178 A 7/1991 Orbach
- D323,948 S 2/1992 Cooper
- 5,123,566 A \* 6/1992 Lage et al. .... 221/46
- D337,228 S \* 7/1993 Giugiaro ..... D6/518
- D365,482 S \* 12/1995 Larimore ..... D6/518

\* cited by examiner

*Primary Examiner*—Brian N. Vinson

(74) *Attorney, Agent, or Firm*—Donald R. Schoonover

(57) **CLAIM**

I claim the ornamental design for an portable wet wipe container having battery-powered warmer, as shown and described.

**DESCRIPTION**

FIG. 1 is a perspective view of the portable wet wipe container having battery-powered warmer embodying the design of the present invention.

FIG. 2 is a front elevational view thereof;

FIG. 3 is a rear elevational view thereof;

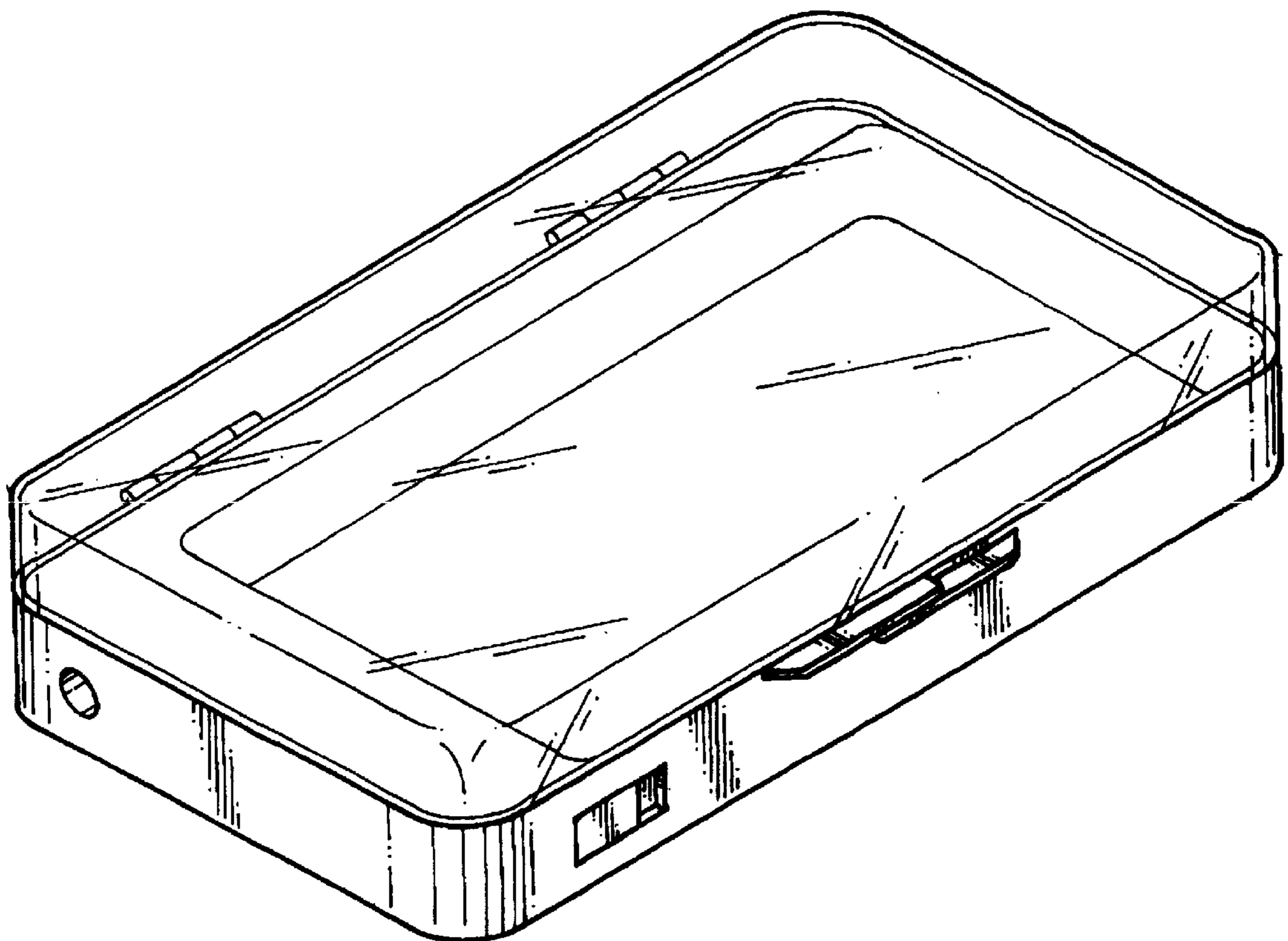
FIG. 4 is a left side elevational view thereof;

FIG. 5 is a right side elevational view thereof;

FIG. 6 is atop plan view thereof; and,

FIG. 7 is a bottom plan view thereof.

**1 Claim, 3 Drawing Sheets**



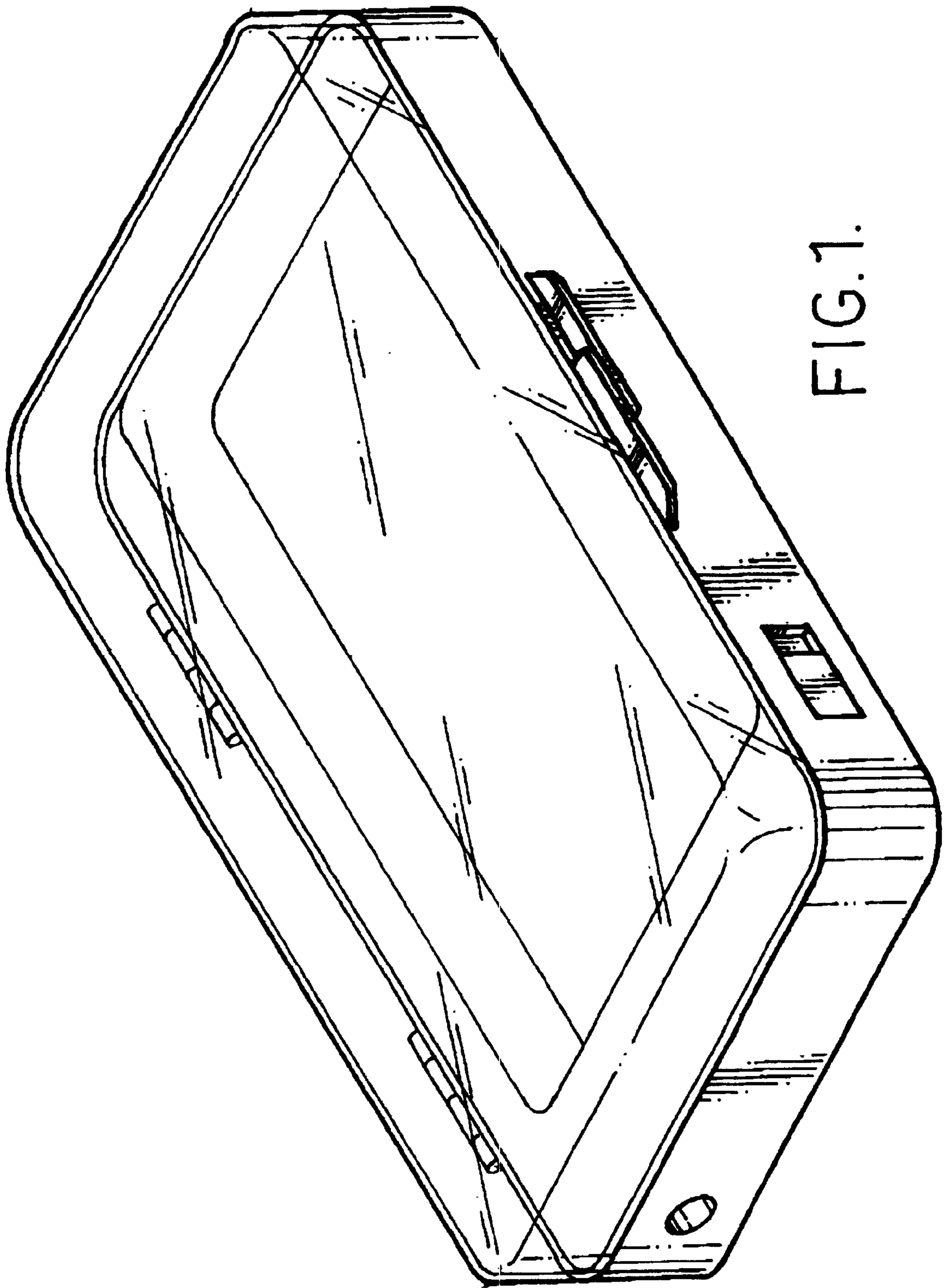


FIG. 1.

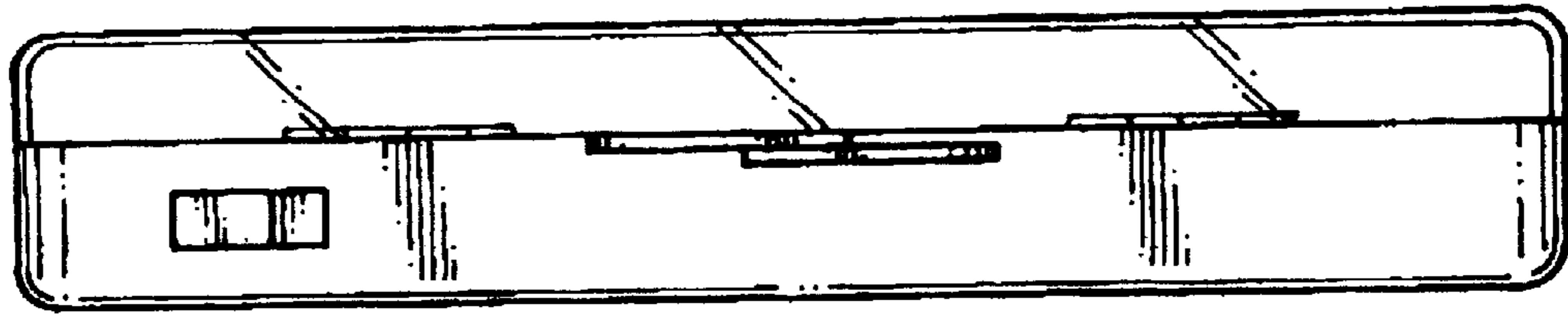


FIG. 2.

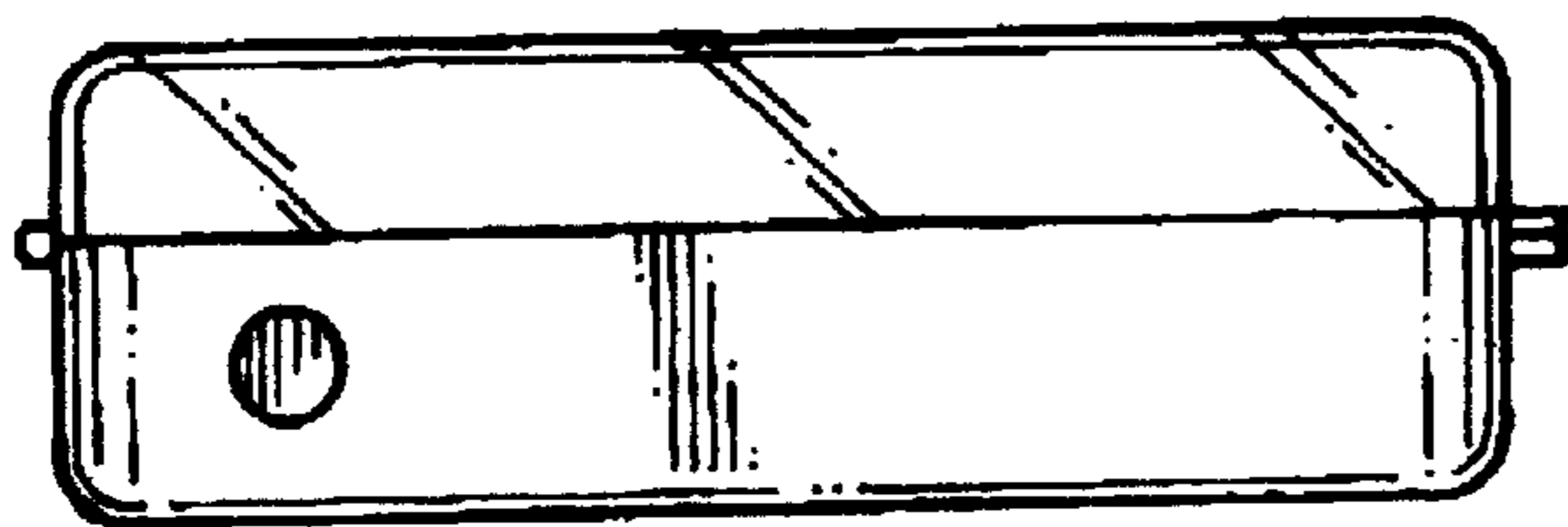


FIG. 5.

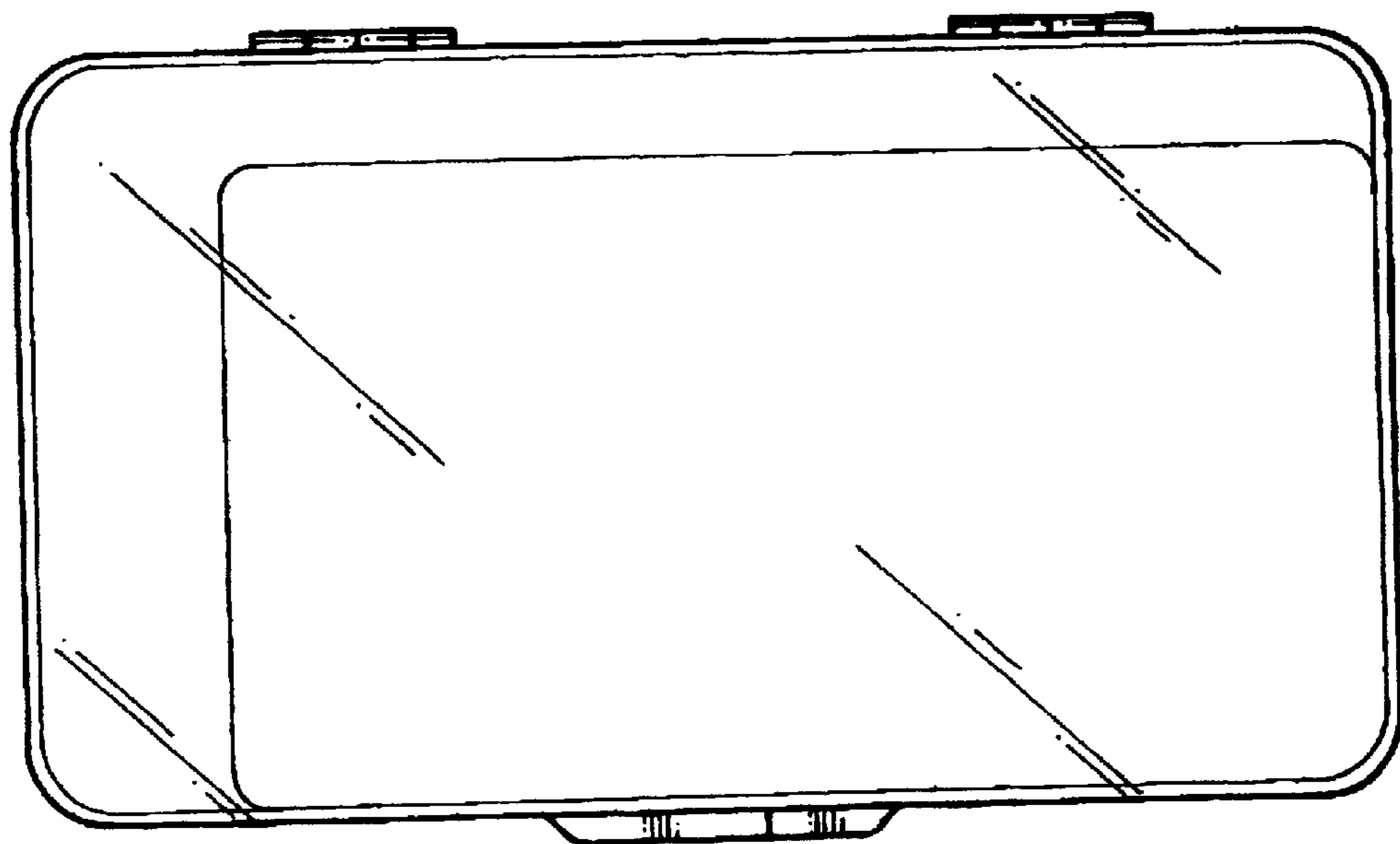


FIG. 6.

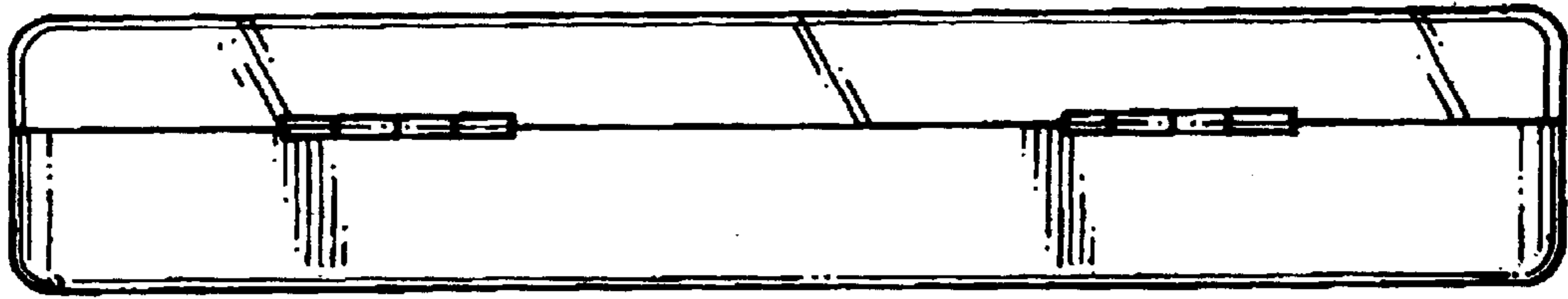


FIG. 3.

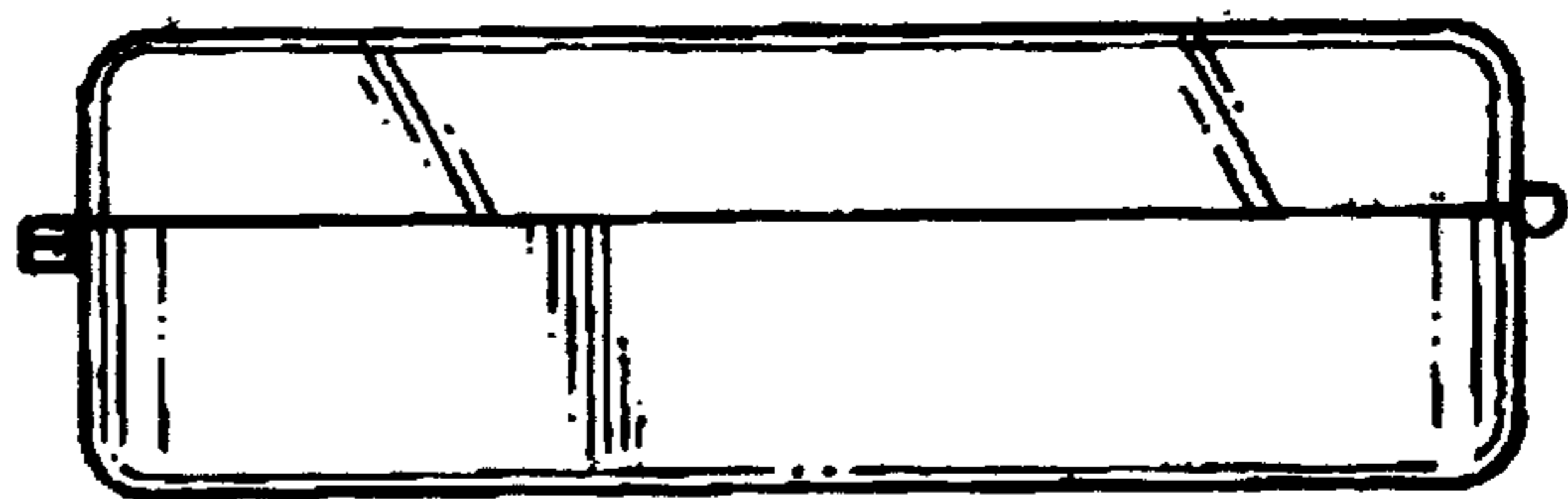


FIG. 4.

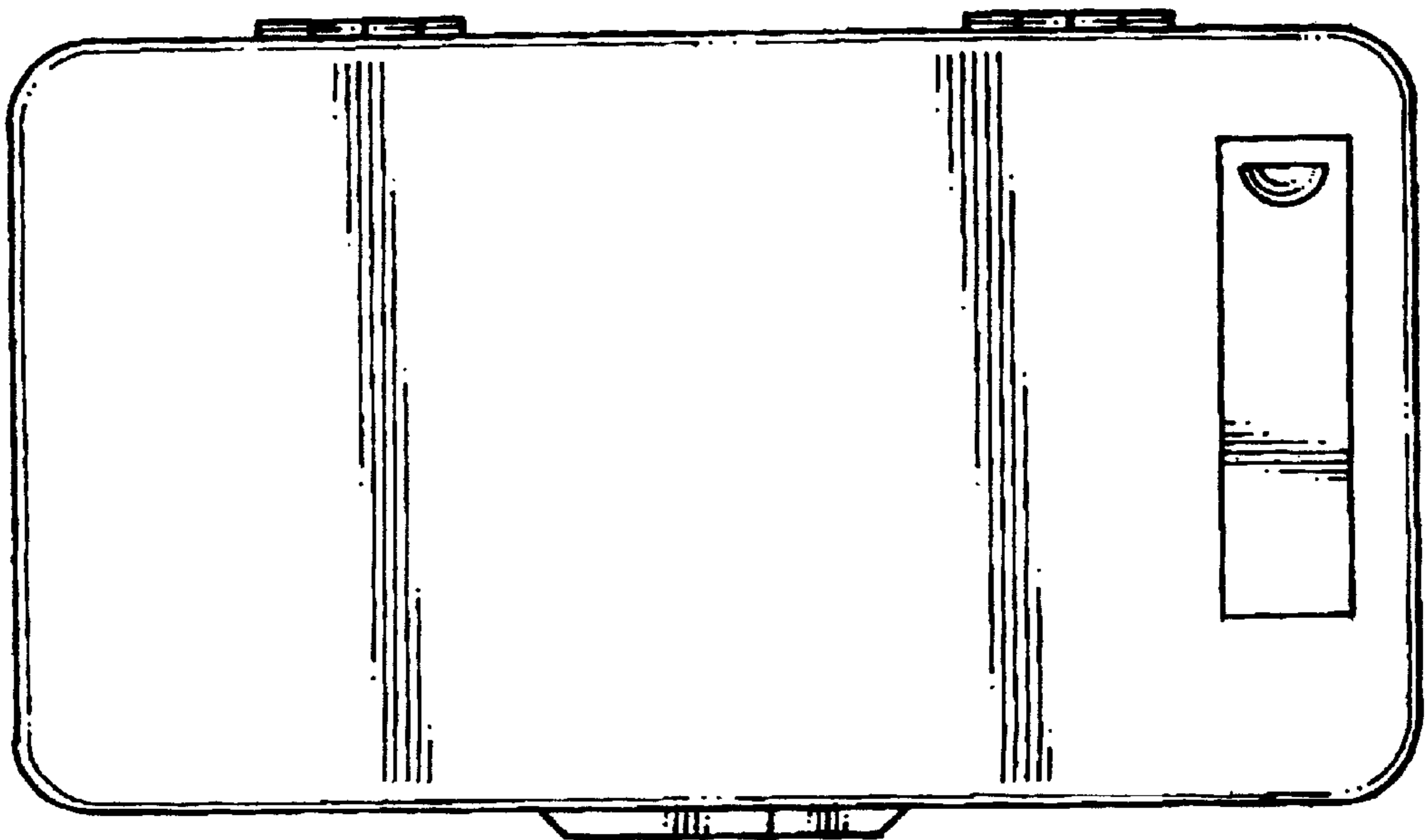


FIG. 7.