

US00D469287S

(12) **United States Design Patent**  
**Mathews**

(10) **Patent No.:** **US D469,287 S**

(45) **Date of Patent:** **\*\* Jan. 28, 2003**

(54) **COVER PORTION FOR A DISPENSER**

(75) **Inventor:** **Michael Floyd Mathews**, Saint Peters,  
MO (US)

(73) **Assignee:** **Kimberly-Clark Worldwide, Inc.**,  
Neenah, WI (US)

(\*\*) **Term:** **14 Years**

(21) **Appl. No.:** **29/152,590**

(22) **Filed:** **Dec. 21, 2001**

(51) **LOC (7) Cl.** ..... **20-02**

(52) **U.S. Cl.** ..... **D6/515**

(58) **Field of Search** ..... D6/515-523; D9/549,  
D9/423-425, 420; D3/273, 294, 310; D7/538;  
206/389, 409; 221/26, 33, 45, 282, 284

(56) **References Cited**

**U.S. PATENT DOCUMENTS**

3,780,908 A	12/1973	Fitzpatrick et al.	
3,836,044 A	9/1974	Tilp et al.	
3,967,756 A	7/1976	Barish	
3,994,417 A	11/1976	Boedecker	
4,180,160 A	12/1979	Ogawa et al.	
4,200,200 A	4/1980	Hein, III et al.	
4,337,876 A	7/1982	Thompson	
D289,262 S	4/1987	Goetz et al.	
4,848,575 A	7/1989	Nakamura et al.	
4,976,370 A	* 12/1990	Cassel ..... D7/538 X	
D330,161 S	10/1992	Schuh	

D363,669 S	10/1995	Pennoyer, Jr.
D364,563 S	11/1995	Miller et al.
5,542,567 A	8/1996	Julius
D374,774 S	10/1996	Cassel
D395,952 S	7/1998	Buczynski et al.
5,785,179 A	7/1998	Buczynski et al.
5,908,138 A	6/1999	Vlahakis et al.
D414,637 S	10/1999	Amundson et al.
D437,686 S	2/2001	Balzar et al.
D443,451 S	6/2001	Buck et al.
D449,528 S	10/2001	Buck et al.
D450,960 S	11/2001	Boyea et al.

\* cited by examiner

*Primary Examiner*—Brian N. Vinson

(74) *Attorney, Agent, or Firm*—Michael J. Bendel

(57) **CLAIM**

I claim the ornamental design for a cover portion for a dispenser, as shown and described.

**DESCRIPTION**

FIG. 1 is a perspective view of a cover portion for a dispenser, showing our new design.

FIG. 2 is a top view thereof.

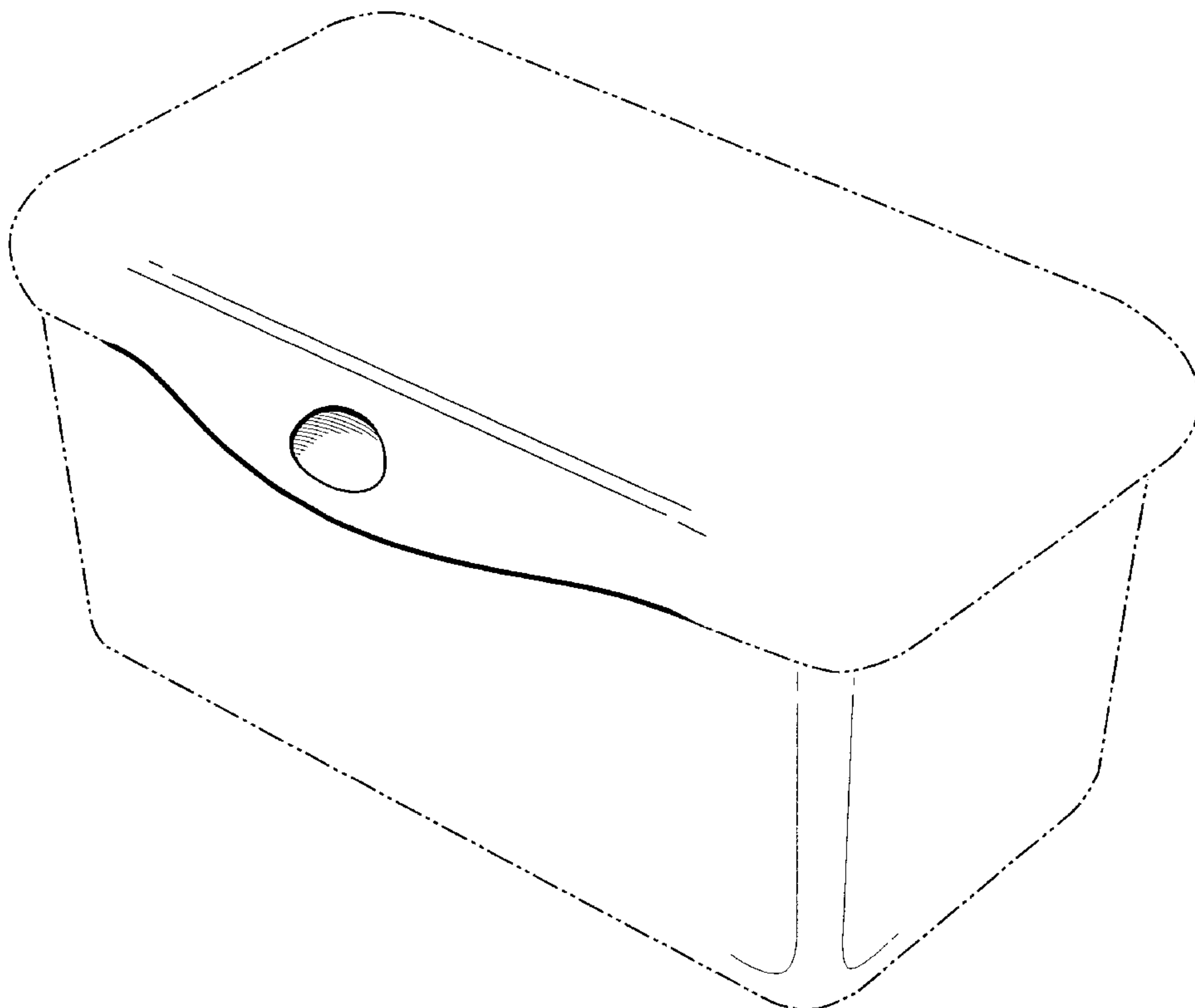
FIG. 3 is a front view thereof.

FIG. 4 is a left side view thereof; and,

FIG. 5 is a right side view thereof.

The broken line showing of the dispenser is for illustrative purposes only and forms no part of the claimed design.

**1 Claim, 4 Drawing Sheets**



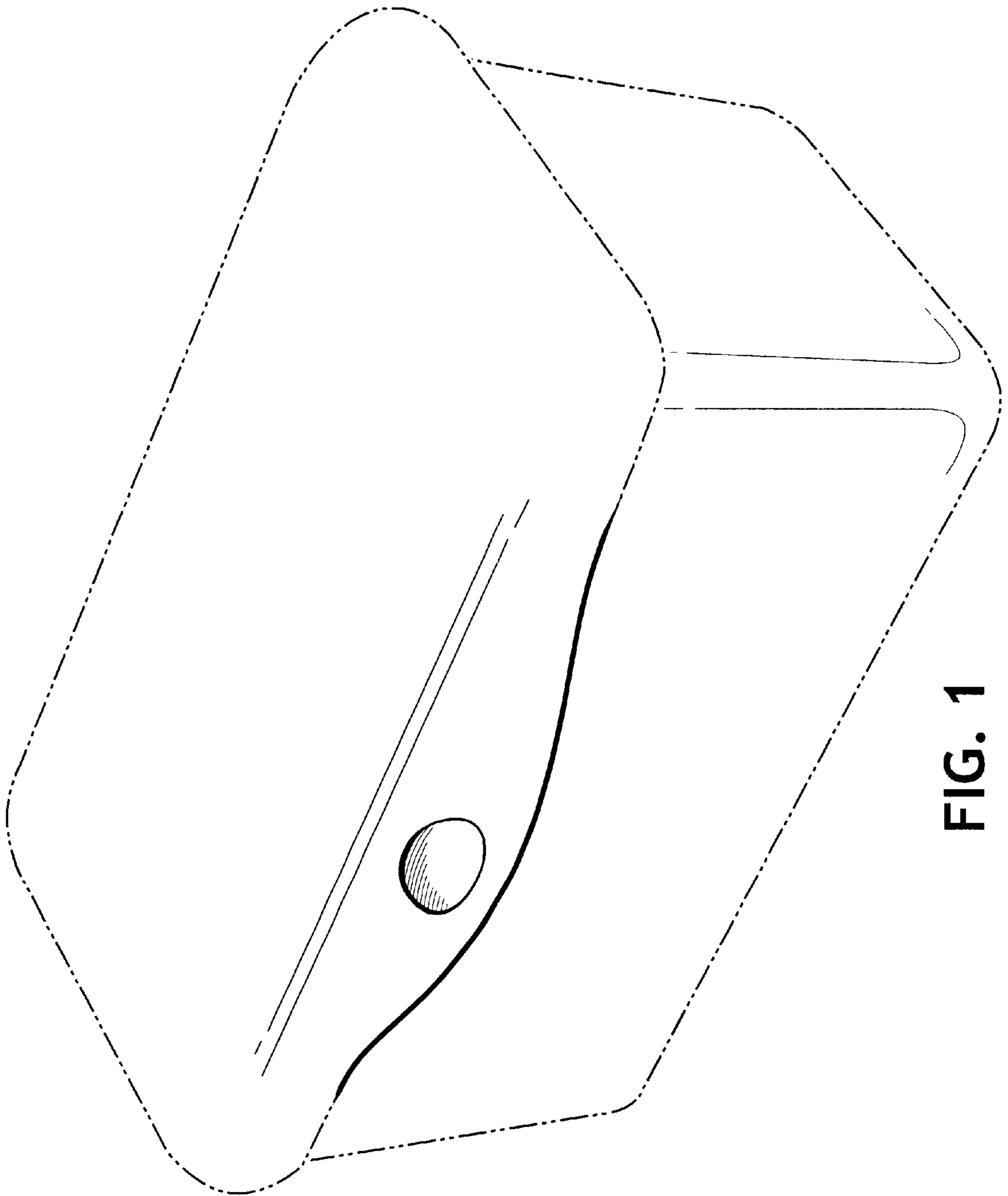
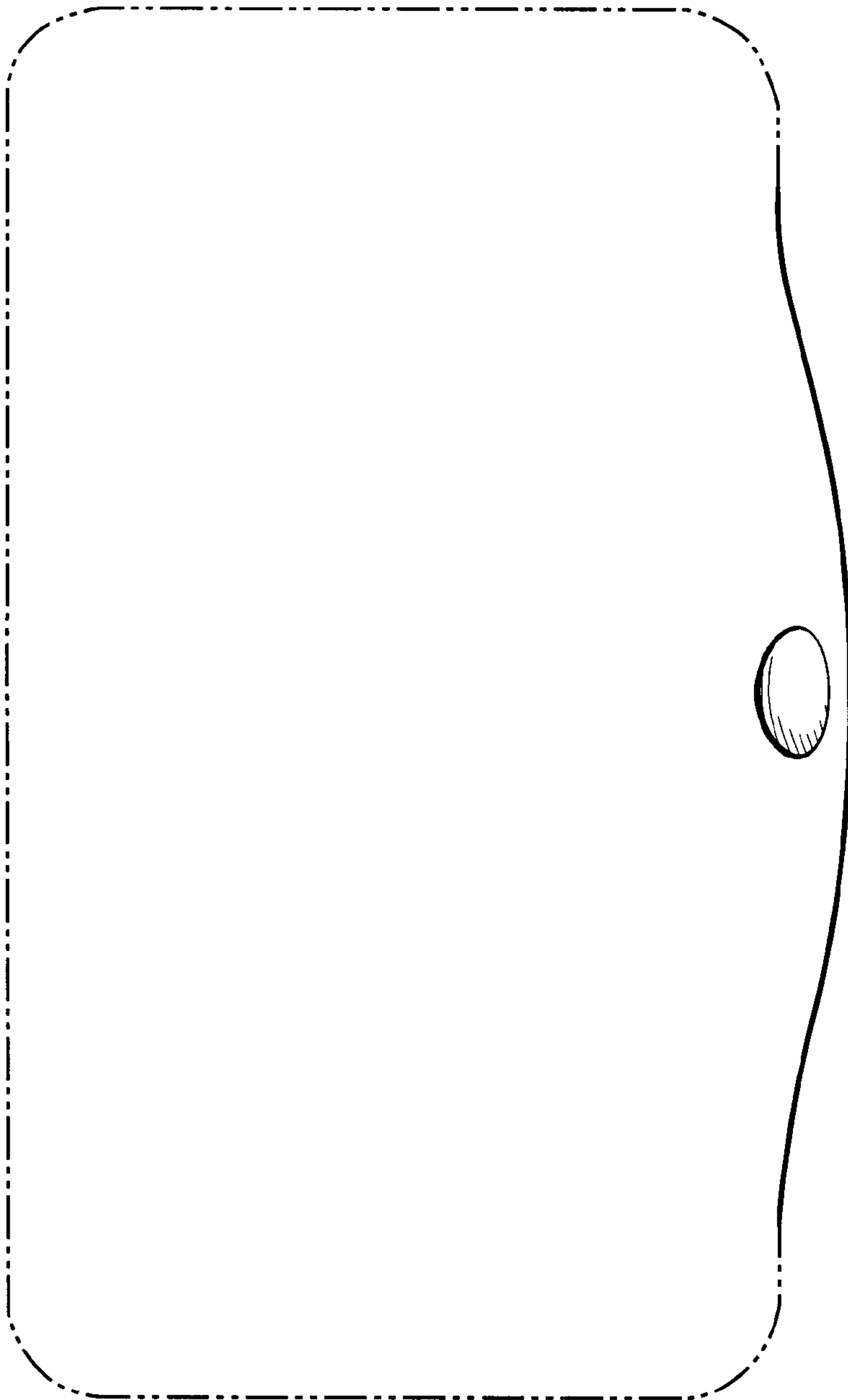
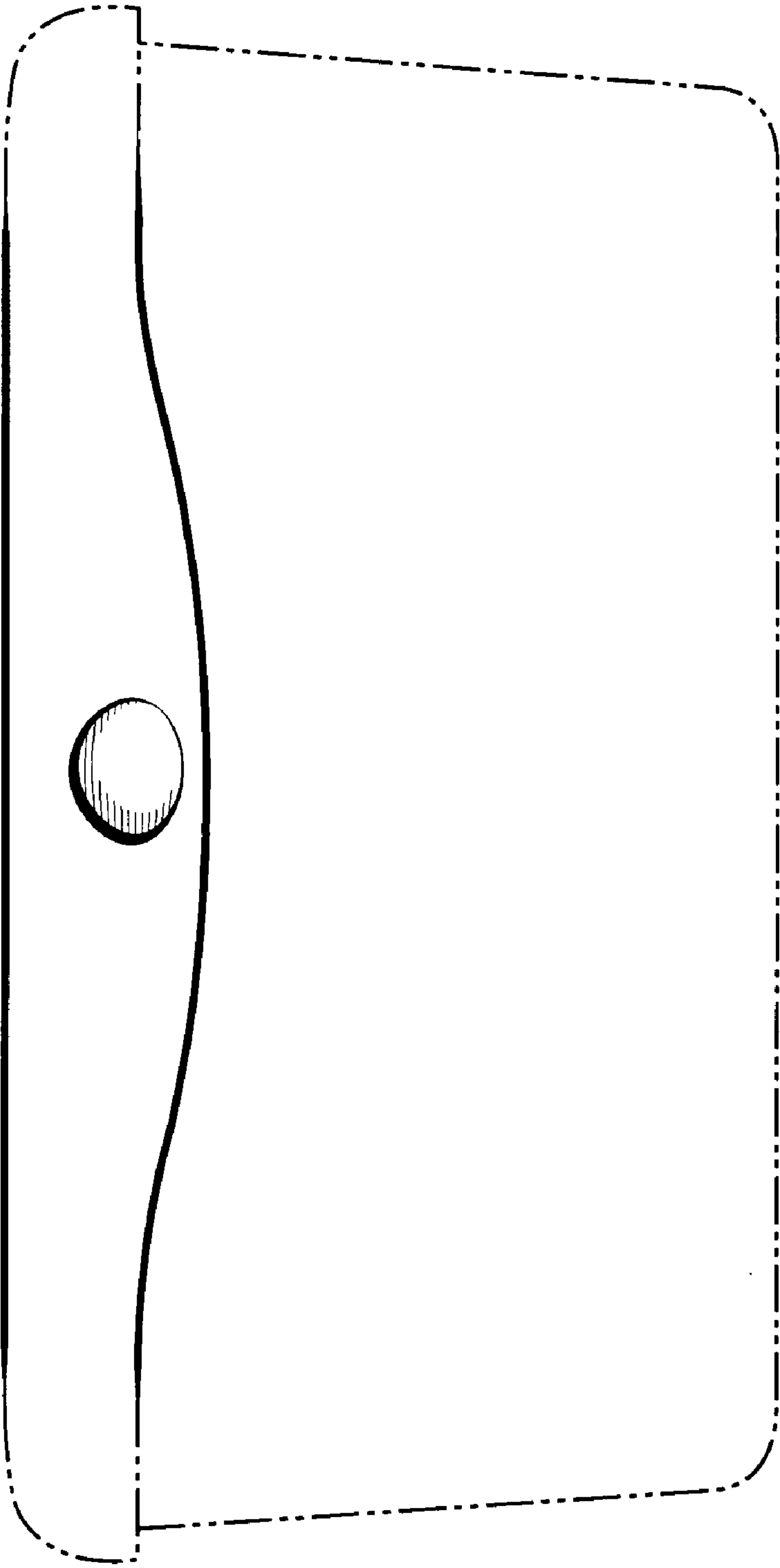


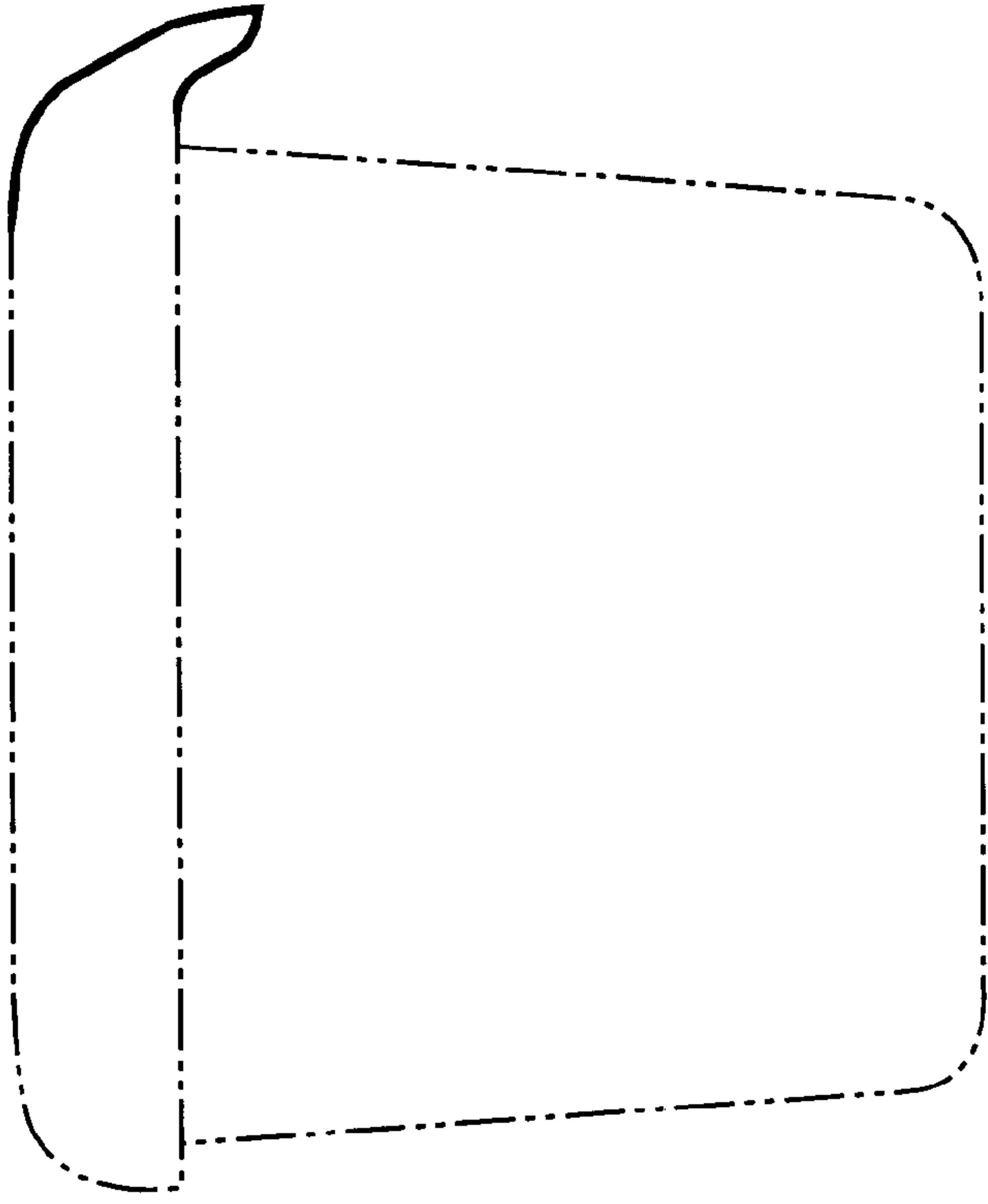
FIG. 1



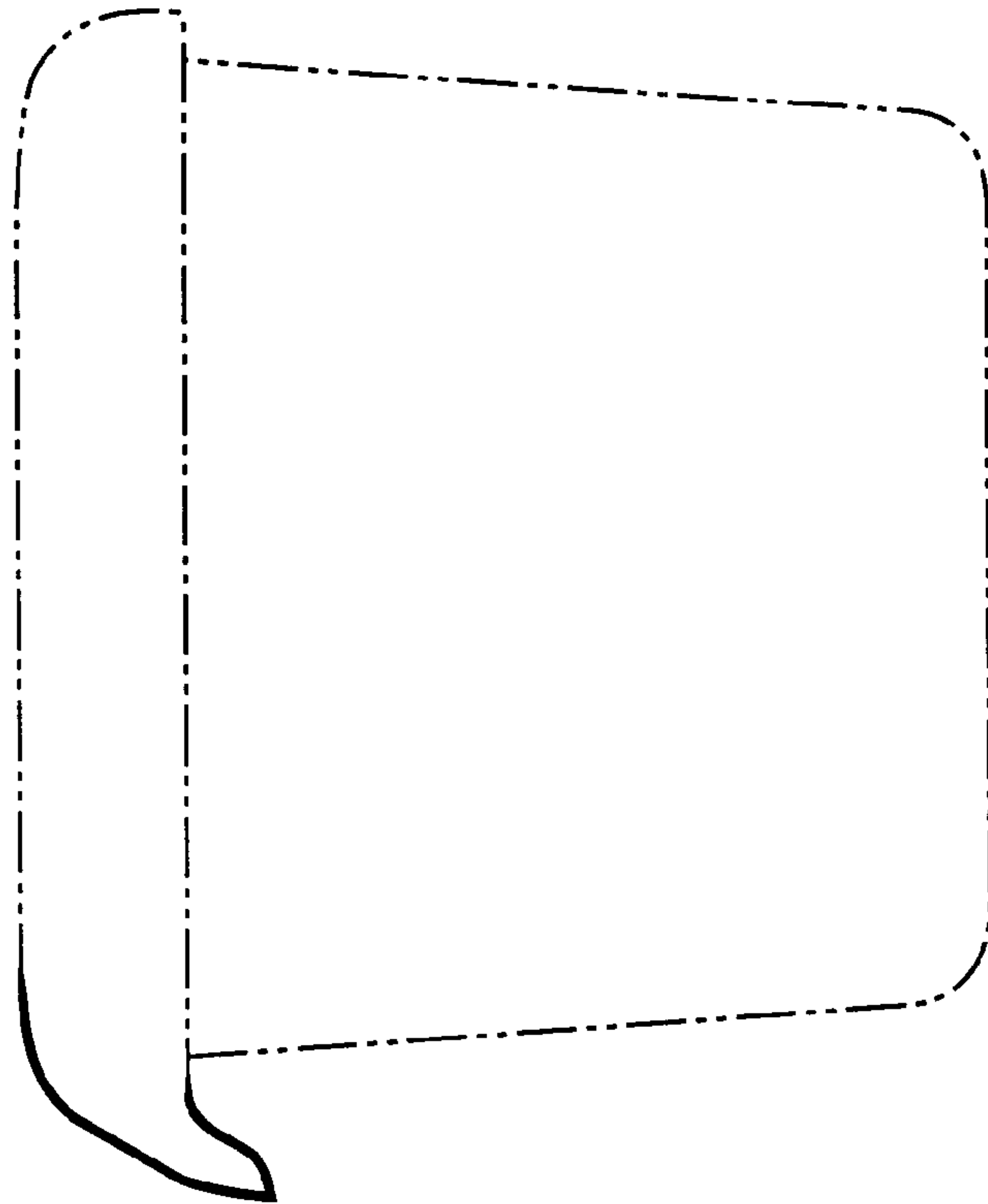
**FIG. 2**



**FIG. 3**



**FIG. 4**



**FIG. 5**