



US00D469286S

(12) **United States Design Patent** (10) **Patent No.:** **US D469,286 S**
Rafoth et al. (45) **Date of Patent:** **** Jan. 28, 2003**

(54) **RECTANGULAR CEILING RACK FOR POTS, PANS AND UTENSILS**

Pat. Application No. 29/122,273, filed Apr. 20, 2000, Rafoth et al.

(75) Inventors: **Steven F. Rafoth**, Port Townsend, WA (US); **John J. Rodrigues**, Port Townsend, WA (US)

* cited by examiner

Primary Examiner—Brian N. Vinson

(74) *Attorney, Agent, or Firm*—Klarquist Sparkman LLP

(73) Assignee: **Enclume Design Products, Inc.**, Port Hadlock, WA (US)

(57) **CLAIM**

(**) Term: **14 Years**

The ornamental design for a rectangular ceiling rack for pots, pans and utensils, as shown and described.

(21) Appl. No.: **29/152,038**

DESCRIPTION

(22) Filed: **Dec. 10, 2001**

FIG. 1 is a perspective view of a ceiling rack in accordance with one embodiment, the optional mounting holes in the upper cross-piece portion of the ceiling rack are shown in dashed lines and form no part of the design.

(51) **LOC (7) Cl.** **06-06**

(52) **U.S. Cl.** **D6/513**

(58) **Field of Search** D6/512-514; 211/13.1, 211/70.1, 70.6, 71.01, 86.01, 113, 119; 248/200, 302, 309.1, 317, 318, 339, 340, 343

FIG. 2 is a side view of the ceiling rack of FIG. 1 looking from the right side of FIG. 1, it being understood that the side view from the left side is a mirror image of the view shown in FIG. 2.

FIG. 3 is a top view of the ceiling rack of FIG. 1.

(56) **References Cited**

U.S. PATENT DOCUMENTS

D243,489 S	*	3/1977	Moore	D6/514
4,714,166 A		12/1987	Hann et al.		
D335,986 S	*	6/1993	Saffell	D6/514
D353,502 S	*	12/1994	Liu	D6/514
D392,133 S		3/1998	Chen		
D406,972 S		3/1999	McCoy		
D408,666 S		4/1999	Sorensen et al.		

FIG. 4 is a front view of a ceiling rack of FIG. 1, it being understood that the rearview is the same as the front view.

FIG. 5 illustrates a bottom view of the ceiling rack of FIG. 1.

OTHER PUBLICATIONS

ENCLUME brochure depicting prior art ceiling racks, the brochure being published more than one year prior to the filing date of this application.

CHANTAL Cookware Corp. brochure depicting prior art CHANTAL pot rack published more than one year before the filing date of this application.

FIG. 6 is a perspective view of an alternative form of ceiling rack having one form of a grid.

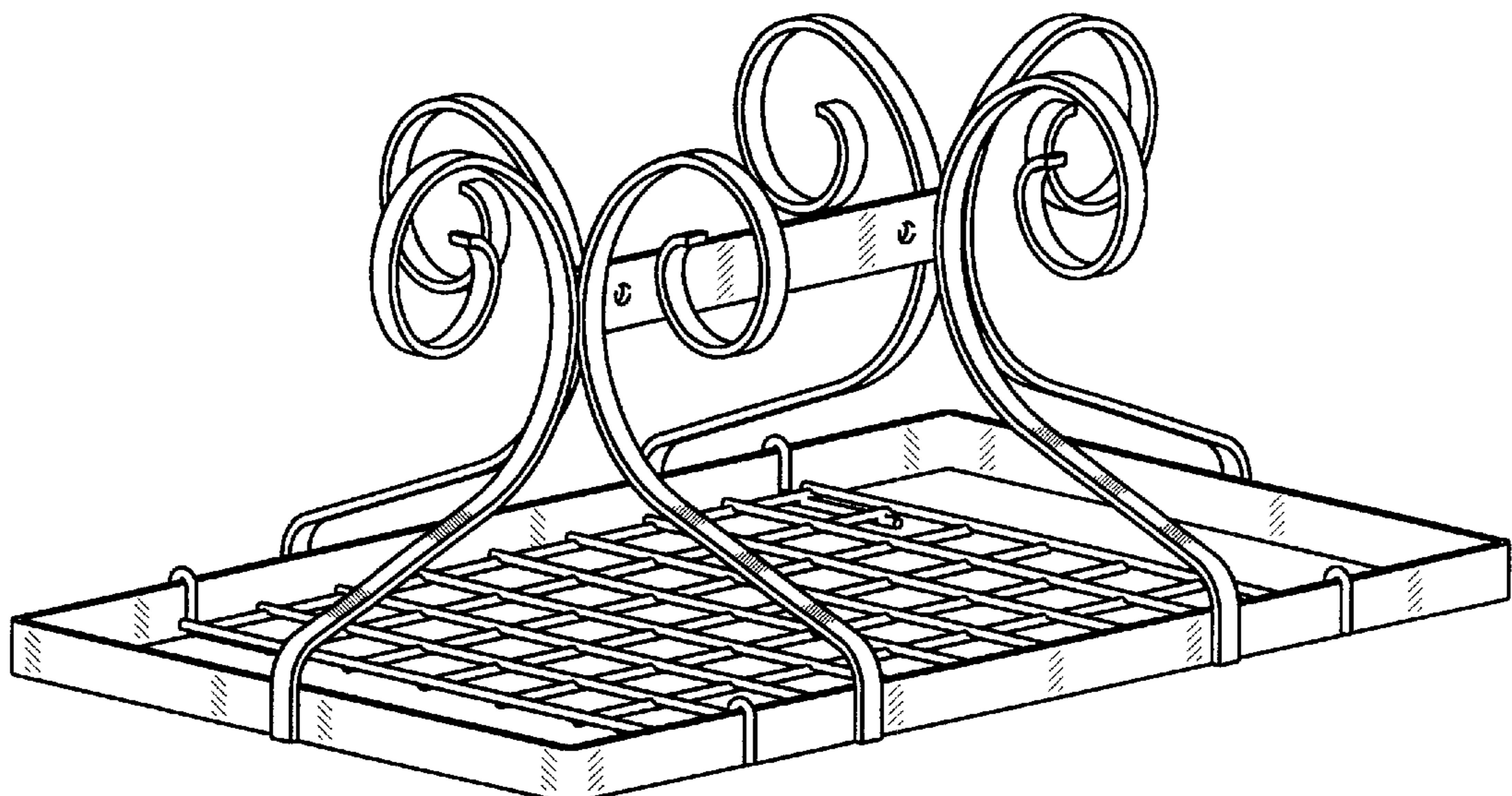
FIG. 7 is a side view of the ceiling rack of FIG. 6 looking from the right side of FIG. 6, it being understood that the side view from the left side is a mirror image of the view shown in FIG. 6.

FIG. 8 is a top view of the ceiling rack of FIG. 6.

FIG. 9 is a front view of a ceiling rack of FIG. 6, it being understood that the rearview is the same as the front view; and,

FIG. 10 illustrates a bottom view of the ceiling rack of FIG. 6.

1 Claim, 4 Drawing Sheets



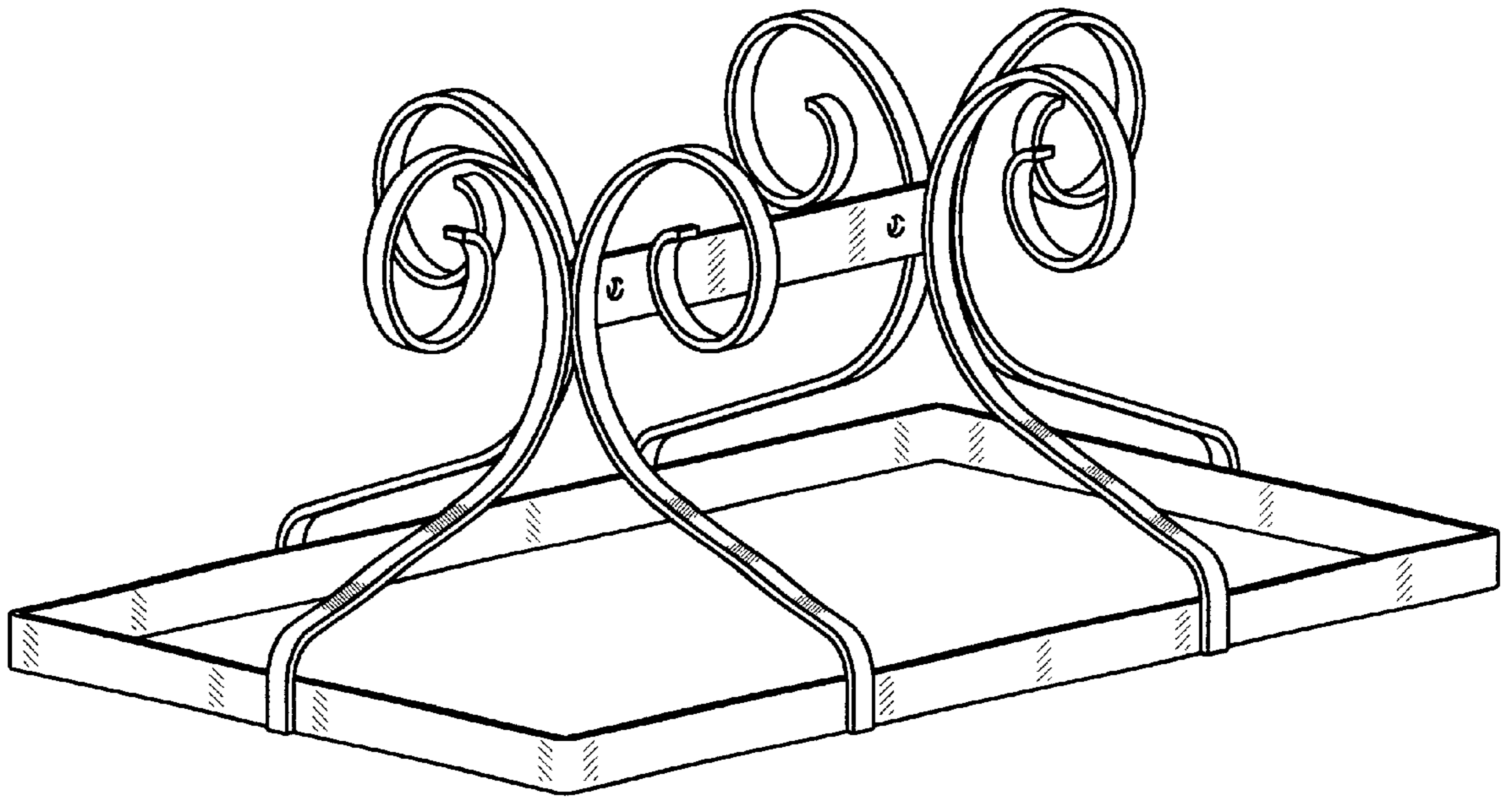


FIG. 1

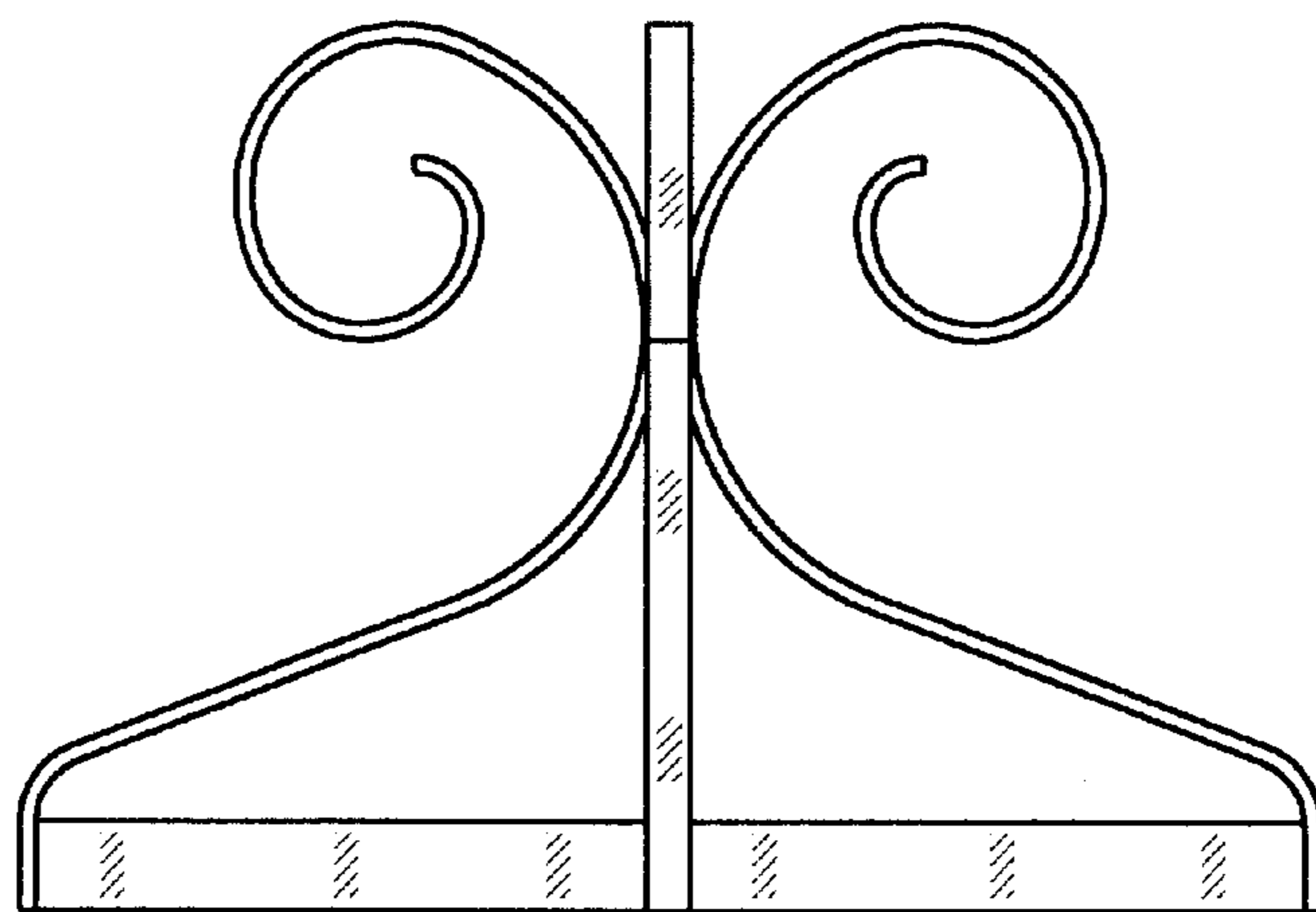


FIG. 2

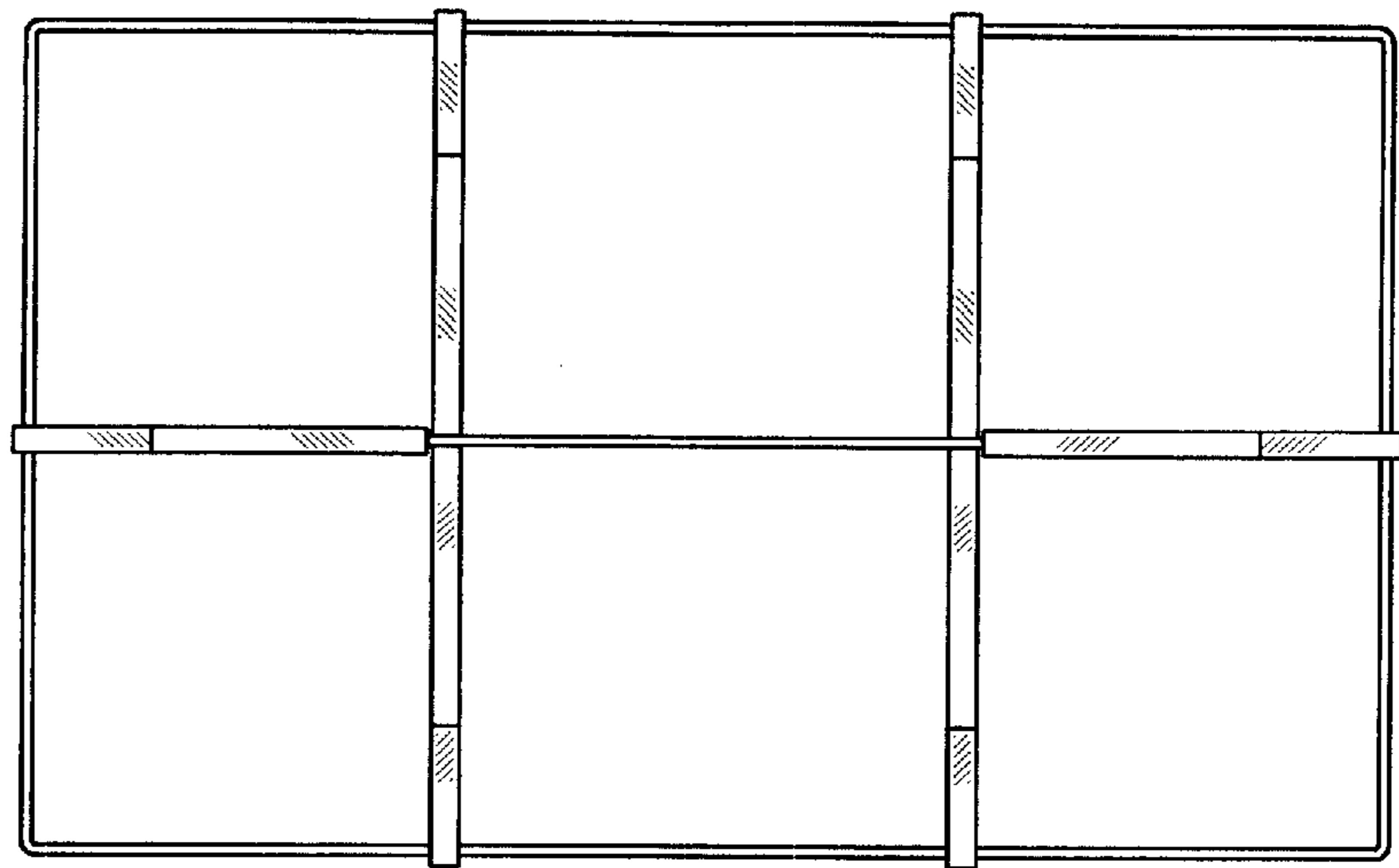


FIG. 3

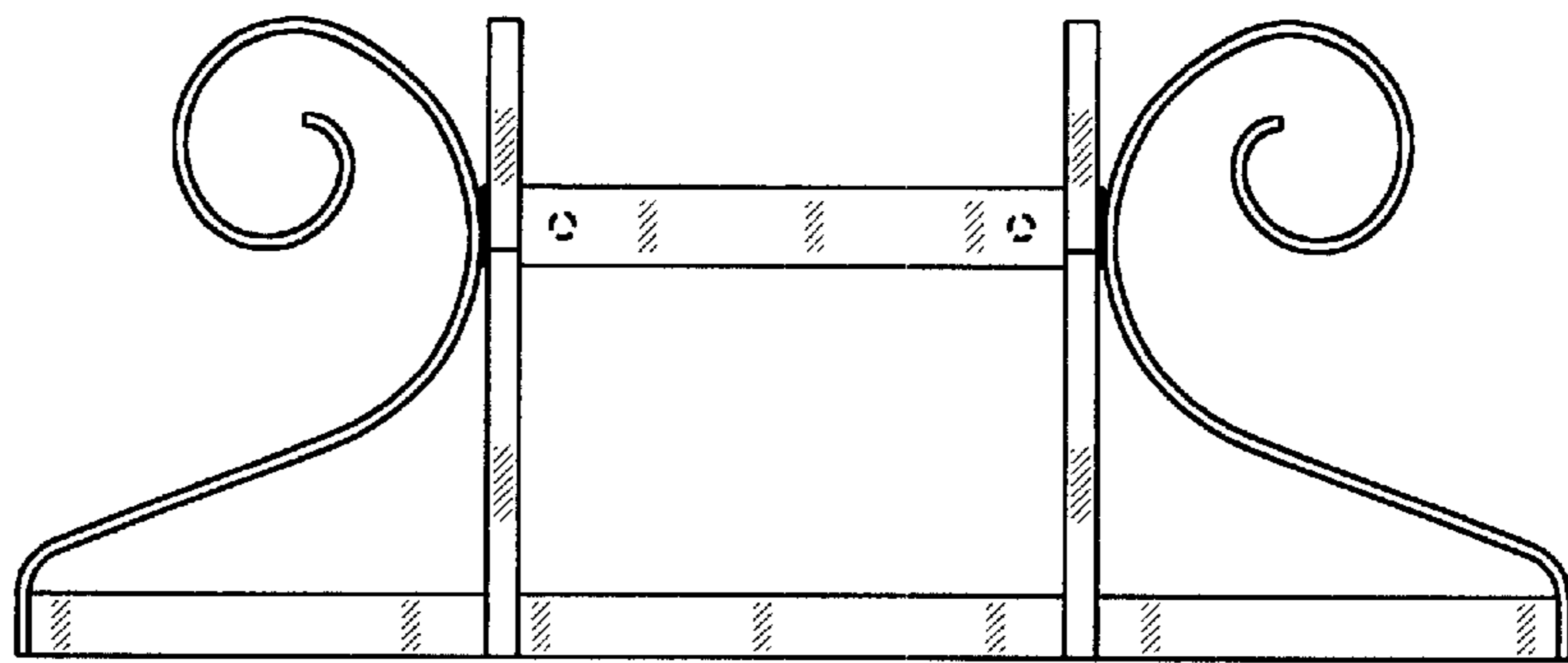


FIG. 4

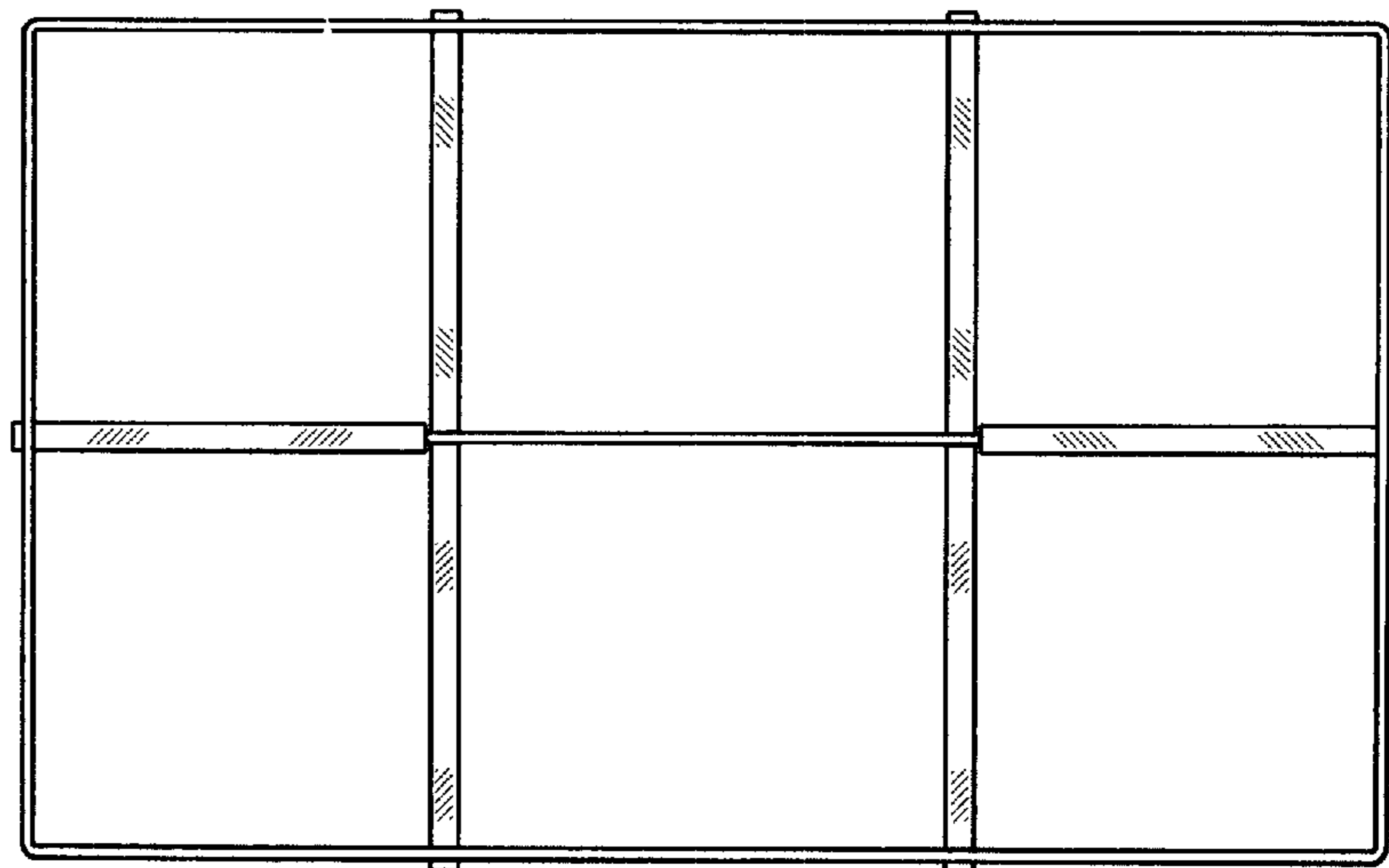


FIG. 5

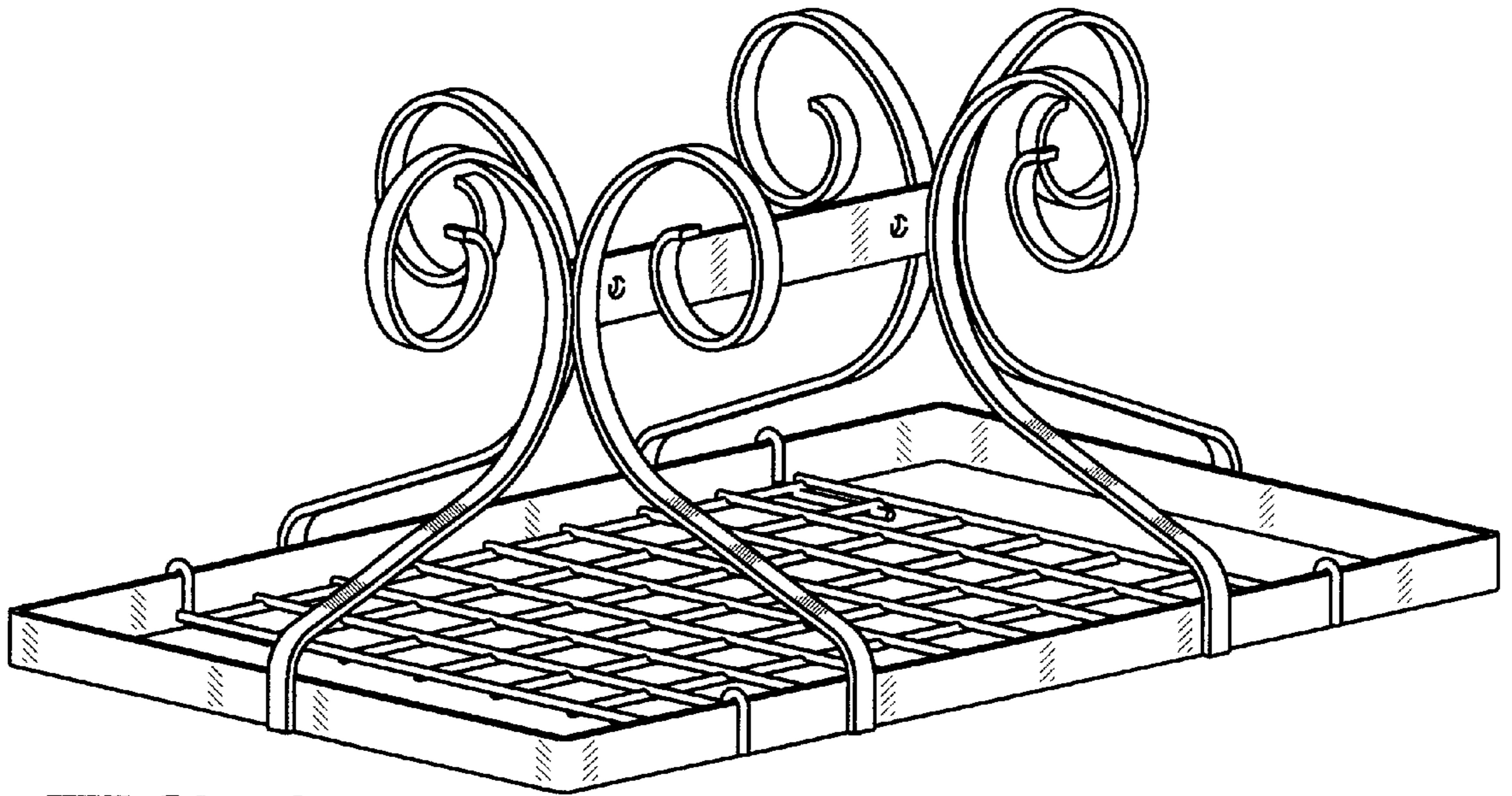


FIG. 6

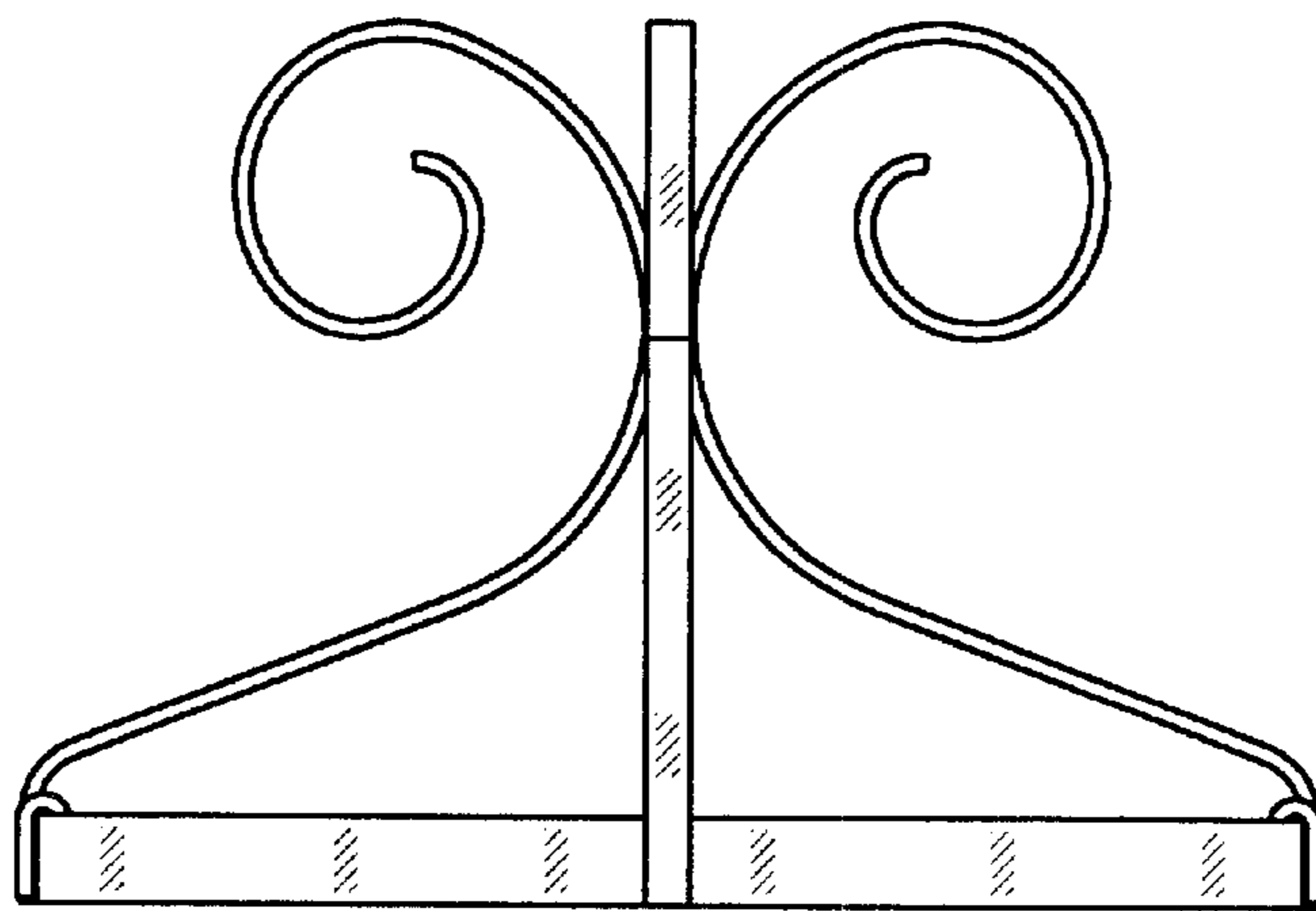


FIG. 7

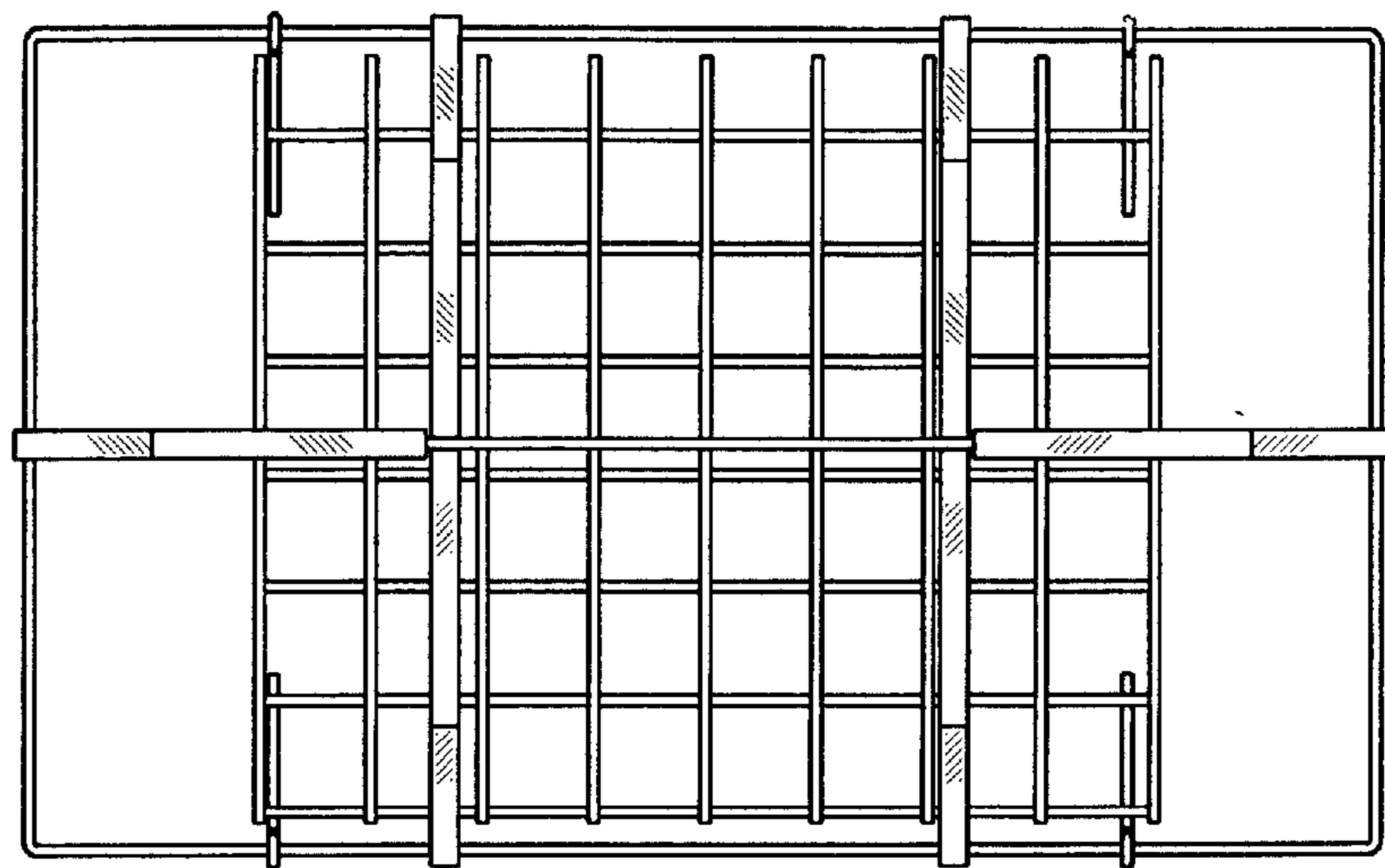


FIG. 8

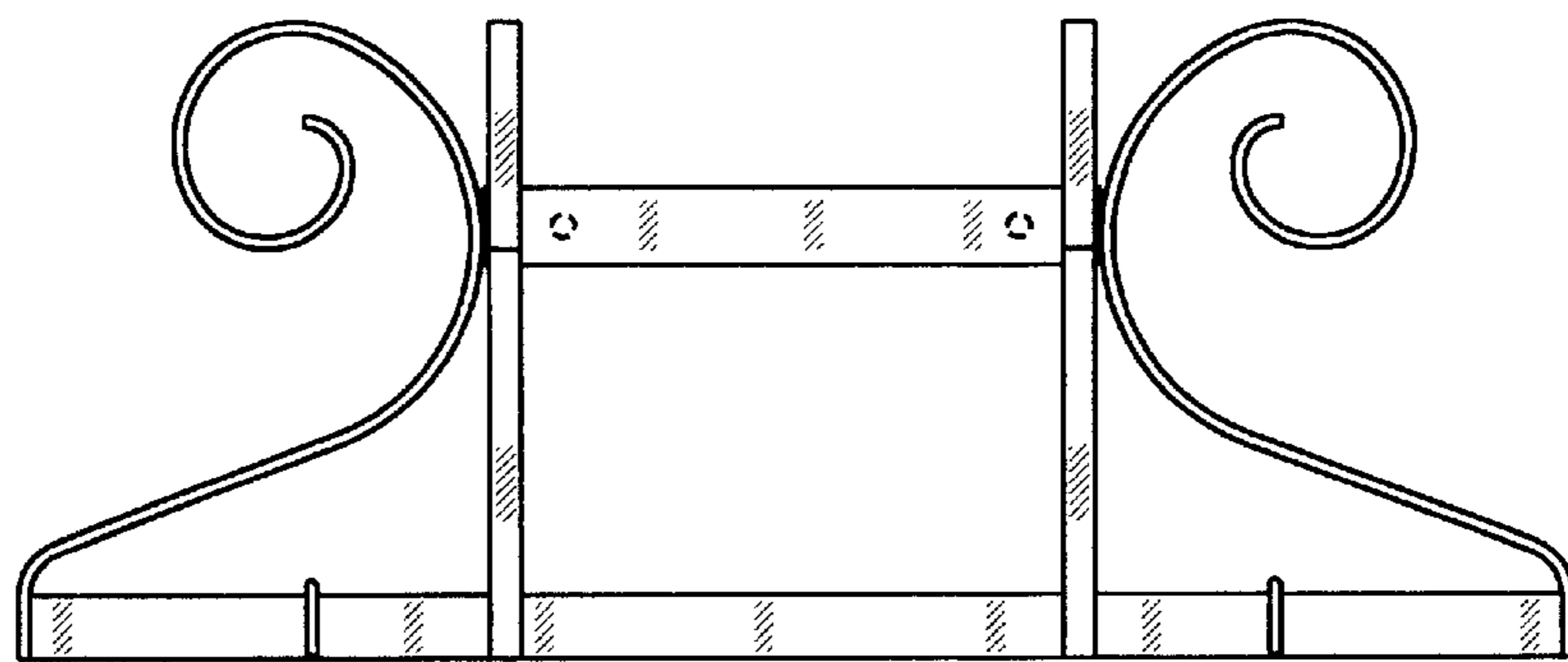


FIG. 9

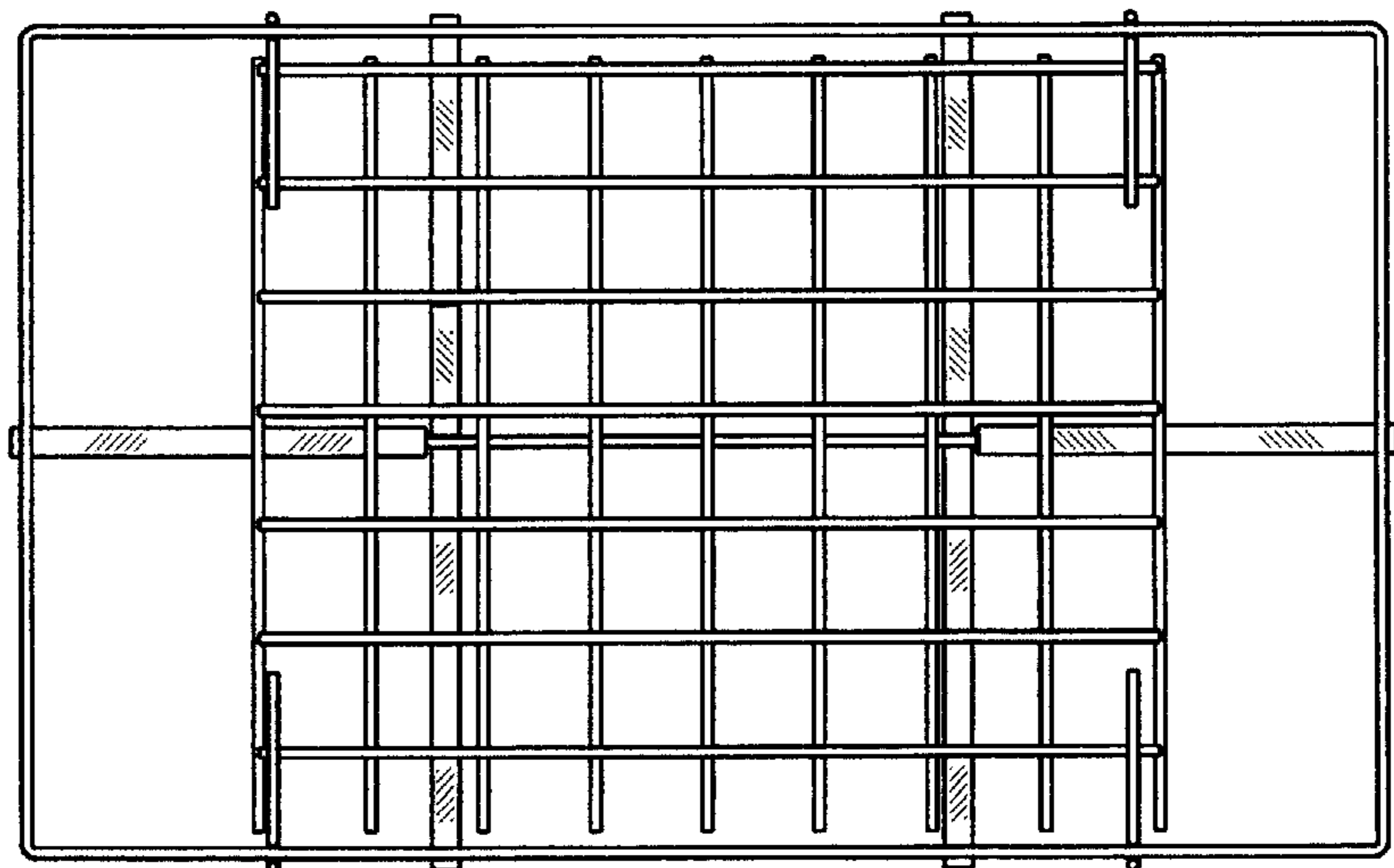


FIG. 10