



US00D469284S

(12) **United States Design Patent**  
**Holbrook et al.**

(10) **Patent No.:** **US D469,284 S**  
(45) **Date of Patent:** **\*\* Jan. 28, 2003**

(54) **CHAIR**  
(75) Inventors: **Richard M. Holbrook**, Altadena, CA  
(US); **Darren M. Mark**, Valencia, CA  
(US)  
(73) Assignee: **Virco Mgmt. Corporation**, Torrance,  
CA (US)  
(\*\*) Term: **14 Years**

4,752,101 A 6/1988 Yurchenco et al.  
D296,623 S 7/1988 Chadwick et al.  
D299,192 S 1/1989 Chadwick et al.  
4,796,950 A 1/1989 Mrotz, III et al.  
4,818,019 A 4/1989 Mrotz, III  
4,865,384 A 9/1989 Desanta  
4,889,385 A 12/1989 Chadwick et al.  
4,943,115 A 7/1990 Stucki  
4,979,778 A 12/1990 Shields  
D315,998 S 4/1991 Edwards  
5,026,117 A 6/1991 Faiks et al.  
5,029,940 A 7/1991 Golynsky et al.

(21) Appl. No.: **29/143,563**  
(22) Filed: **Jun. 15, 2001**

(List continued on next page.)

(51) **LOC (7) Cl.** ..... **06-06**  
(52) **U.S. Cl.** ..... **D6/500; D6/366**  
(58) **Field of Search** ..... D6/334, 364, 365,  
D6/366, 367, 374, 500, 501, 502; 297/411.2,  
411.28

*Primary Examiner*—Gary D. Watson  
(74) *Attorney, Agent, or Firm*—Denton L. Anderson;  
Sheldon & Mak

(57) **CLAIM**

The ornamental design for a chair, as shown and described.

(56) **References Cited**

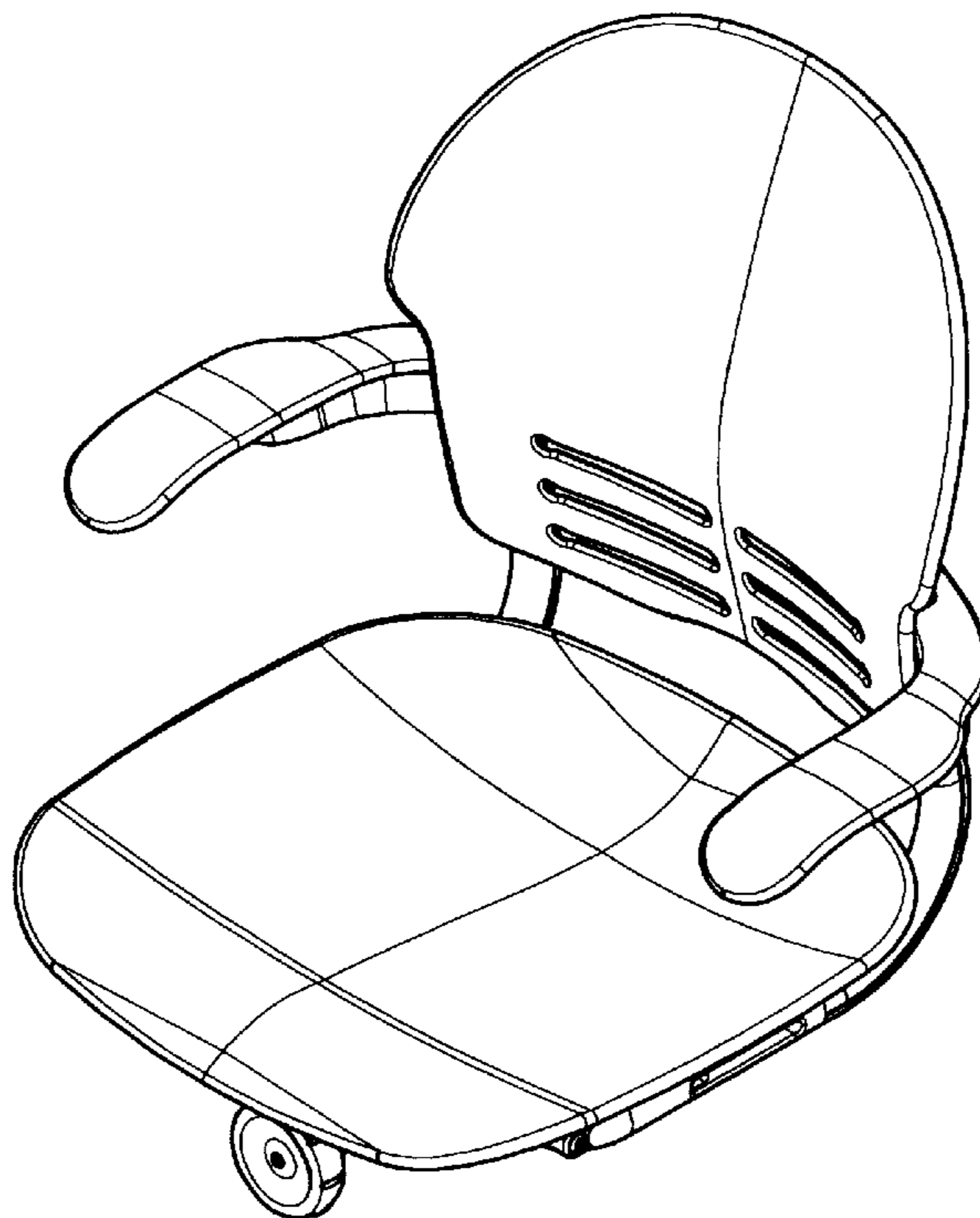
**DESCRIPTION**

**U.S. PATENT DOCUMENTS**

D260,216 S 8/1981 Buhk  
D266,722 S 11/1982 Stephens  
D273,918 S 5/1984 Keeler  
D275,060 S 8/1984 Buhk  
D275,720 S 10/1984 Buhk  
D277,144 S \* 1/1985 Murry ..... D6/366  
D288,747 S \* 3/1987 Schulte ..... D6/366  
D289,120 S 4/1987 Chadwick et al.  
D295,347 S 4/1988 Chadwick et al.  
D295,588 S \* 5/1988 Heitlinger et al. .... D6/374 X  
D296,394 S 6/1988 Chadwick et al.

FIG. 1 is an isometric view showing the front side of a chair having features of the invention;  
FIG. 2 is a isometric view of the chair illustrated in FIG. 1, showing the rear side of the chair;  
FIG. 3 is a view of the left side of the chair illustrated in FIG. 1, the right side of the chair being a mirror image thereof with the exception of the adjustment lever;  
FIG. 4 is a front view of the chair illustrated in FIG. 1; and,  
FIG. 5 is a rear view of the chair illustrated in FIG. 1.

**1 Claim, 3 Drawing Sheets**



# US D469,284 S

Page 2

## U.S. PATENT DOCUMENTS

5,042,876 A	8/1991	Faiks	
5,106,157 A	4/1992	Nagelkirk et al.	
D326,369 S	* 5/1992	Buchacz .....	D6/366
D326,577 S	6/1992	Edwards	
5,160,184 A	11/1992	Faiks et al.	
5,192,114 A	3/1993	Hollington et al.	
5,203,853 A	4/1993	Caruso	
5,207,479 A	5/1993	Wickman et al.	
5,320,410 A	6/1994	Faiks et al.	
D369,689 S	* 5/1996	Locher .....	D6/366
5,567,012 A	10/1996	Knoblock	
5,577,807 A	11/1996	Hodge et al.	
5,630,647 A	5/1997	Heidmann et al.	
D383,322 S	* 9/1997	Dammermann et al. ....	D6/366
5,683,139 A	11/1997	Golynsky et al.	
D390,385 S	* 2/1998	Dammermann et al. ....	D6/500
5,725,277 A	3/1998	Knoblock	
D393,755 S	4/1998	Nemeth, Jr.	
5,765,914 A	6/1998	Britain et al.	
5,810,439 A	9/1998	Roslund, Jr.	
D400,018 S	* 10/1998	James et al. ....	D6/366
D408,161 S	* 4/1999	Caruso .....	D6/366
5,909,924 A	6/1999	Roslund, Jr.	
D413,214 S	8/1999	Chu	
5,951,109 A	9/1999	Roslund, Jr. et al.	
5,957,534 A	9/1999	Wilkerson et al.	
5,979,984 A	11/1999	Dekraker et al.	
6,015,187 A	1/2000	Roslund, Jr. et al.	
D420,538 S	* 2/2000	Arko et al. ....	D6/500
6,027,169 A	2/2000	Roslund, Jr.	
D423,241 S	* 4/2000	Magnusson et al. ....	D6/366
6,125,521 A	10/2000	Stumpf et al.	
D437,702 S	2/2001	Koepke et al.	
D442,400 S	* 5/2001	Simons, Jr. et al. ....	D6/500
D445,580 S	* 7/2001	Pennington et al. ....	D6/366
D457,739 S	* 5/2002	Pearce et al. ....	D6/366
D460,870 S	* 7/2002	Van De Riet et al. ....	D6/366
D461,322 S	* 8/2002	Holbrook et al. ....	D6/366
D461,345 S	* 8/2002	Holbrook et al. ....	D6/366 X
D461,348 S	* 8/2002	Holbrook et al. ....	D6/500

\* cited by examiner

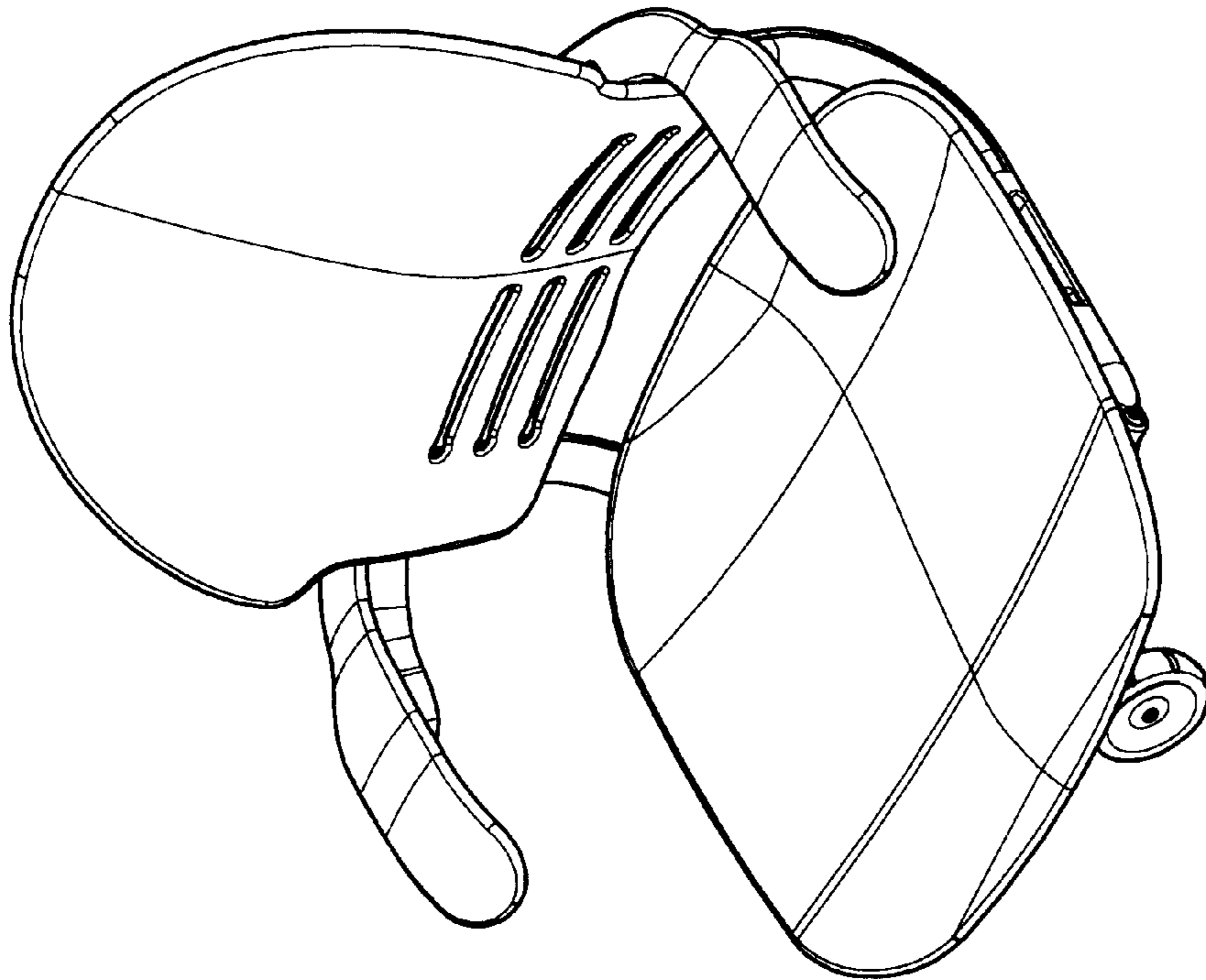


FIG. 1

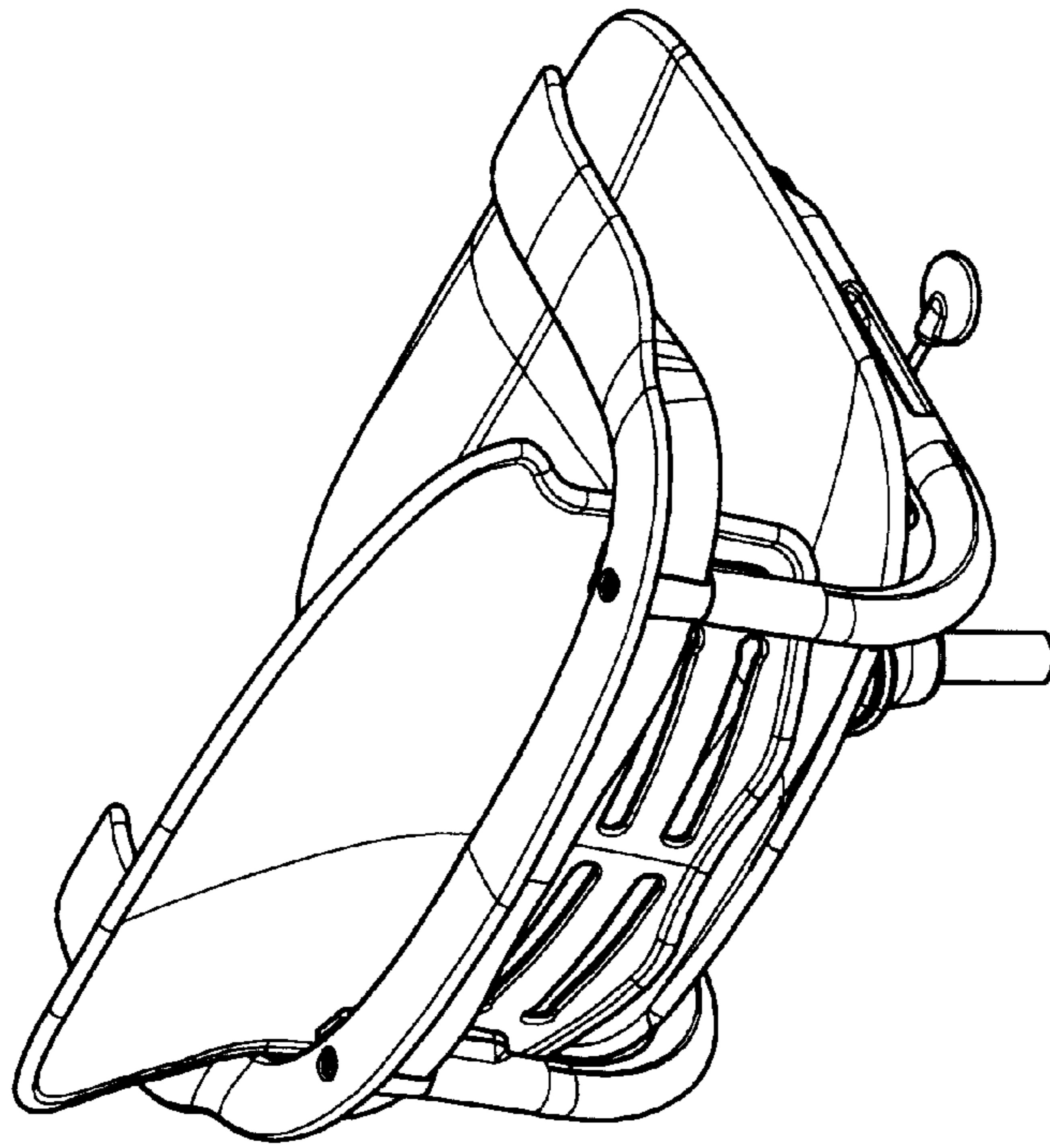


FIG. 2

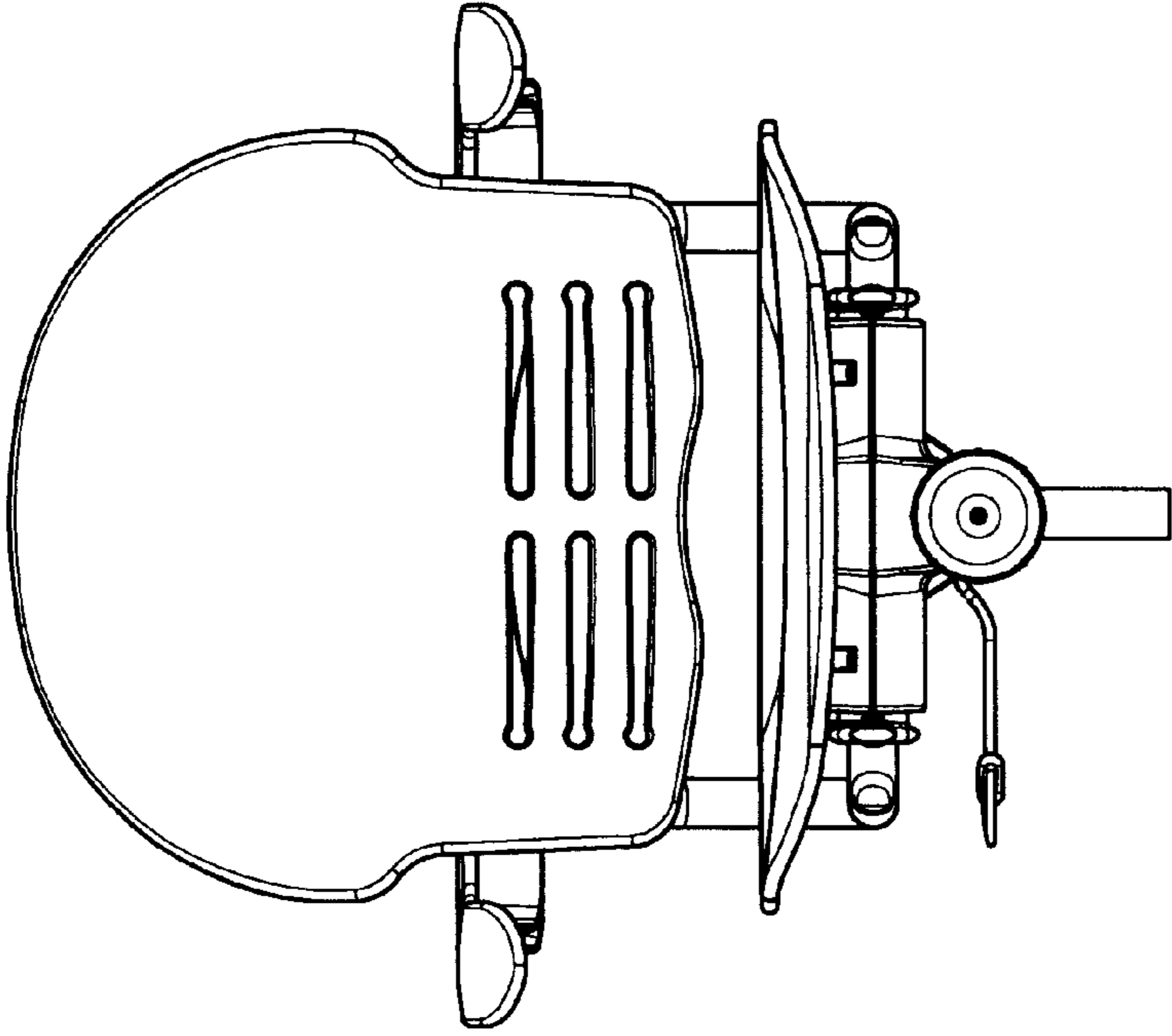


FIG. 4

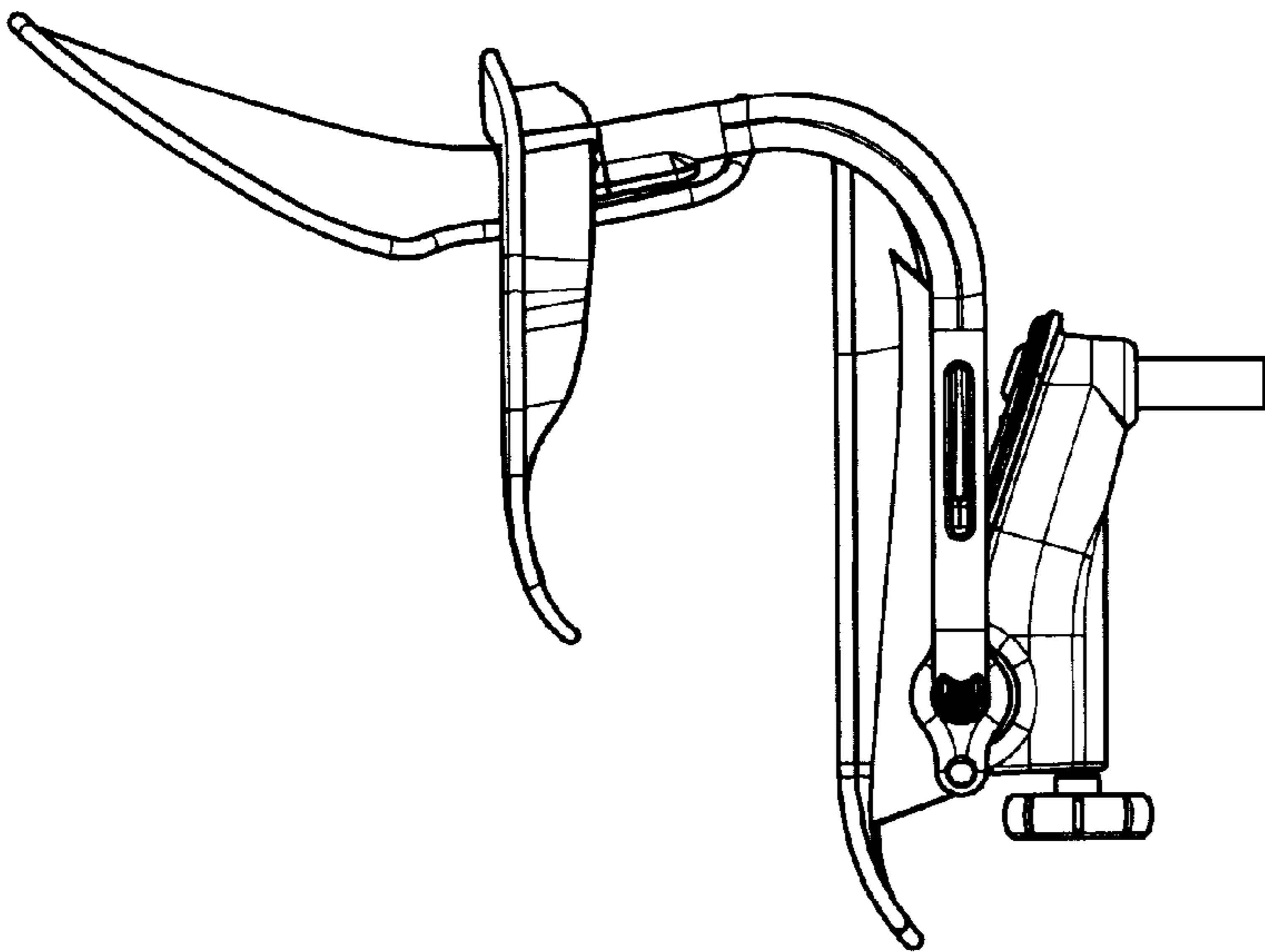


FIG. 3

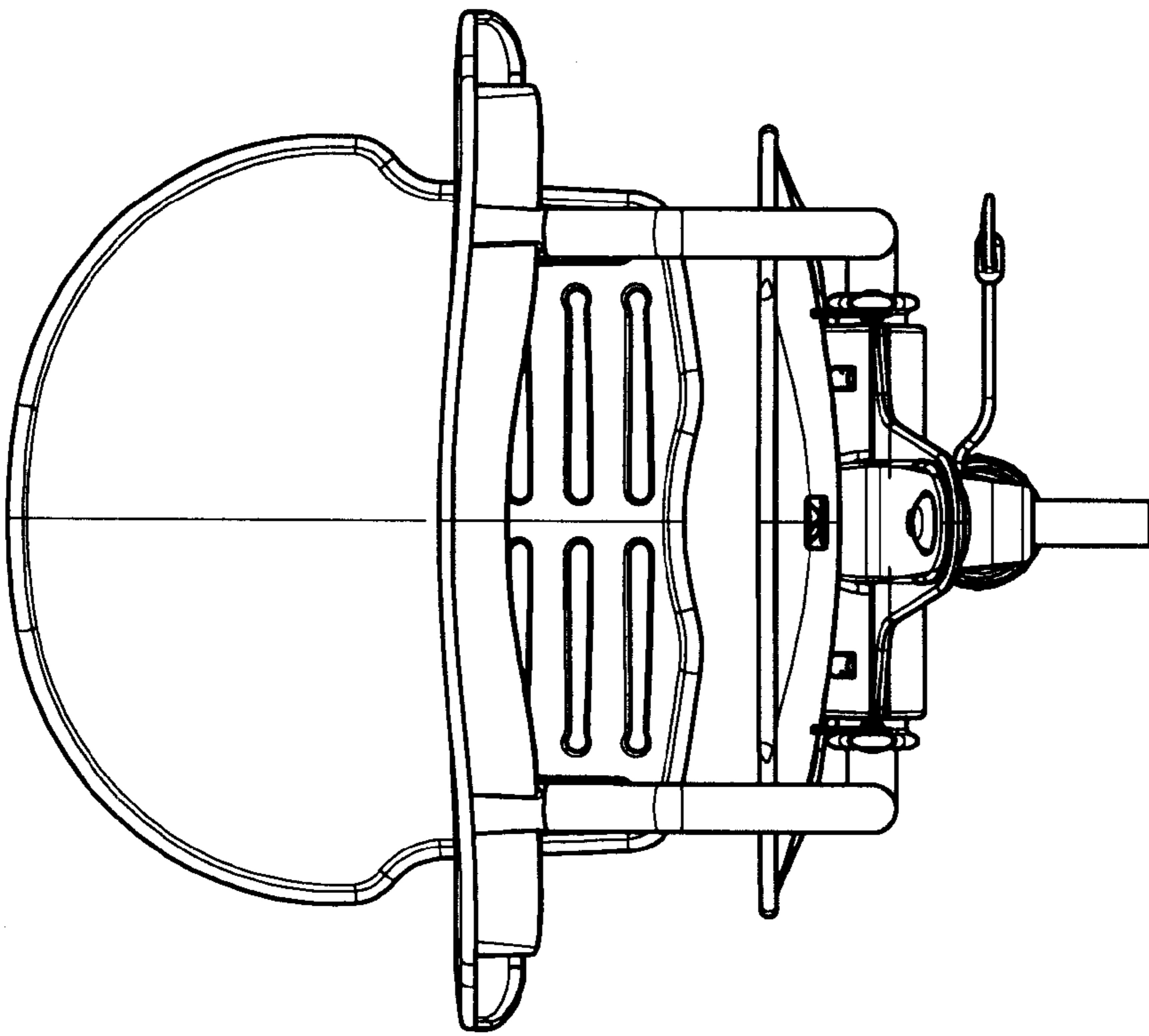


FIG. 5