



US00D469282S

(12) **United States Design Patent**
O'Hare et al.

(10) **Patent No.:** **US D469,282 S**

(45) **Date of Patent:** **** Jan. 28, 2003**

(54) **DECORATIVE POST**

(75) Inventors: **Timothy Michael O'Hare**, Greensboro, NC (US); **Shawn Christopher Stanton**, High Point, NC (US)

(73) Assignee: **Bernhardt, L.L.C.**, Lenoir, NC (US)

(**) Term: **14 Years**

(21) Appl. No.: **29/139,590**

(22) Filed: **Apr. 3, 2001**

(51) **LOC (7) Cl.** **06-06**

(52) **U.S. Cl.** **D6/495**

(58) **Field of Search** D6/503, 382, 389,
D6/392-395, 495, 505-508; 5/53.1, 279.1,
280, 281, 907, 121, 122, 414, 285, 310;
D25/128, 129

(56) **References Cited**

U.S. PATENT DOCUMENTS

D5,178 S * 8/1871 Gould D25/129

D90,256 S * 7/1933 McClure D6/393
D401,432 S * 11/1998 Lowery D6/389
D422,167 S * 4/2000 Vaaler D6/495
D454,719 S * 3/2002 Vaaler D6/389

* cited by examiner

Primary Examiner—Janice E. Seeger

(74) *Attorney, Agent, or Firm*—MacCord Mason PLLC

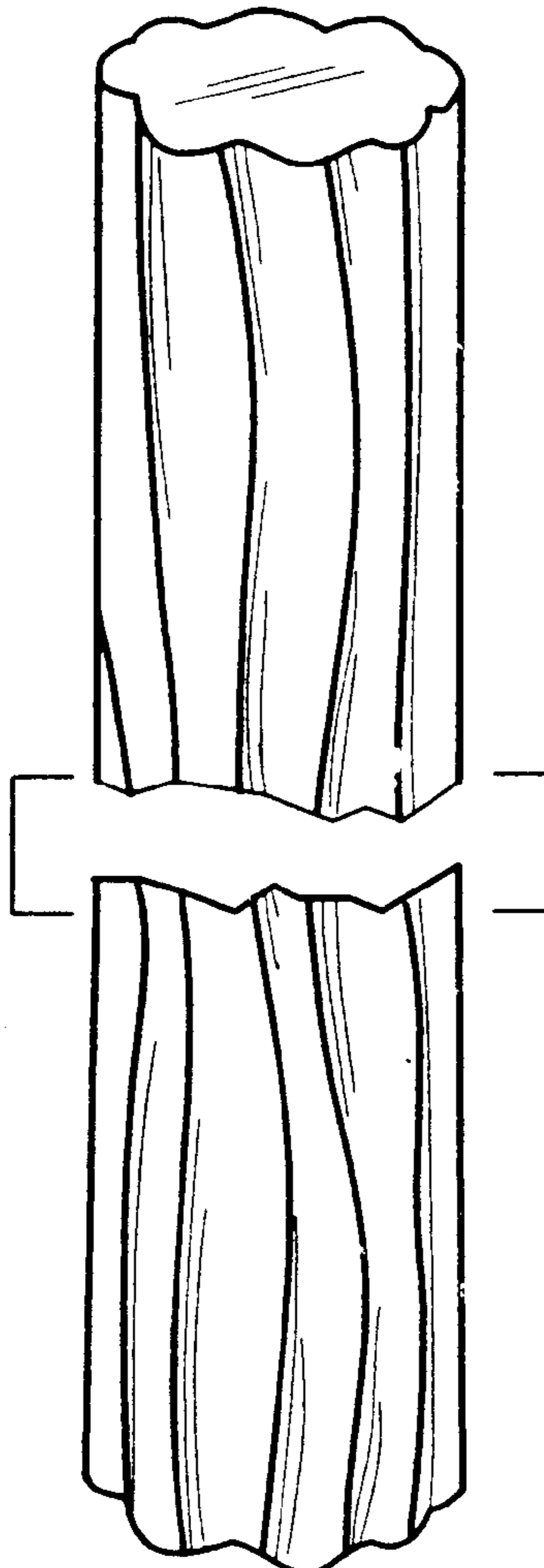
(57) **CLAIM**

The ornamental design for a decorative post, as shown and described.

DESCRIPTION

FIG. 1 is a front perspective fragmentary view of a decorative post showing my new design;
FIG. 2 is a side elevational fragmentary view, the opposite side being a mirror image thereof;
FIG. 3 is a perspective fragmentary view of a second embodiment of the decorative post show in FIG. 1; and,
FIG. 4 is a side elevational fragmentary view of the second embodiment, the opposite side being a mirror image thereof.

1 Claim, 1 Drawing Sheet



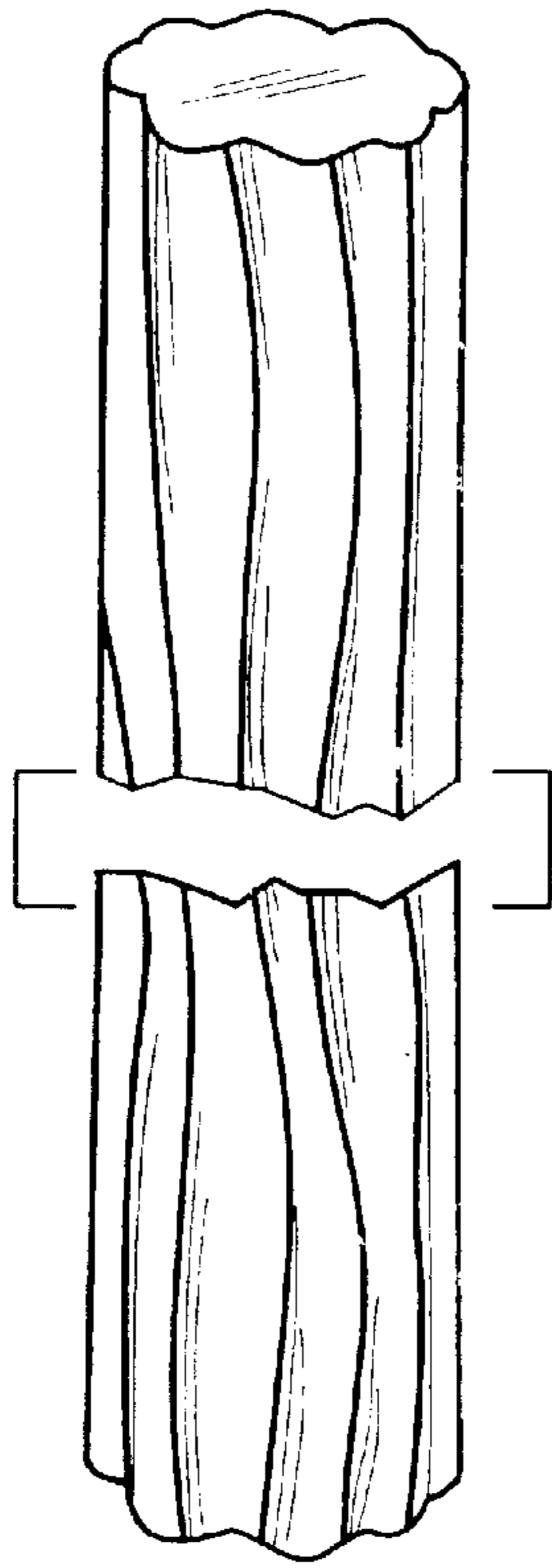


FIG. 1

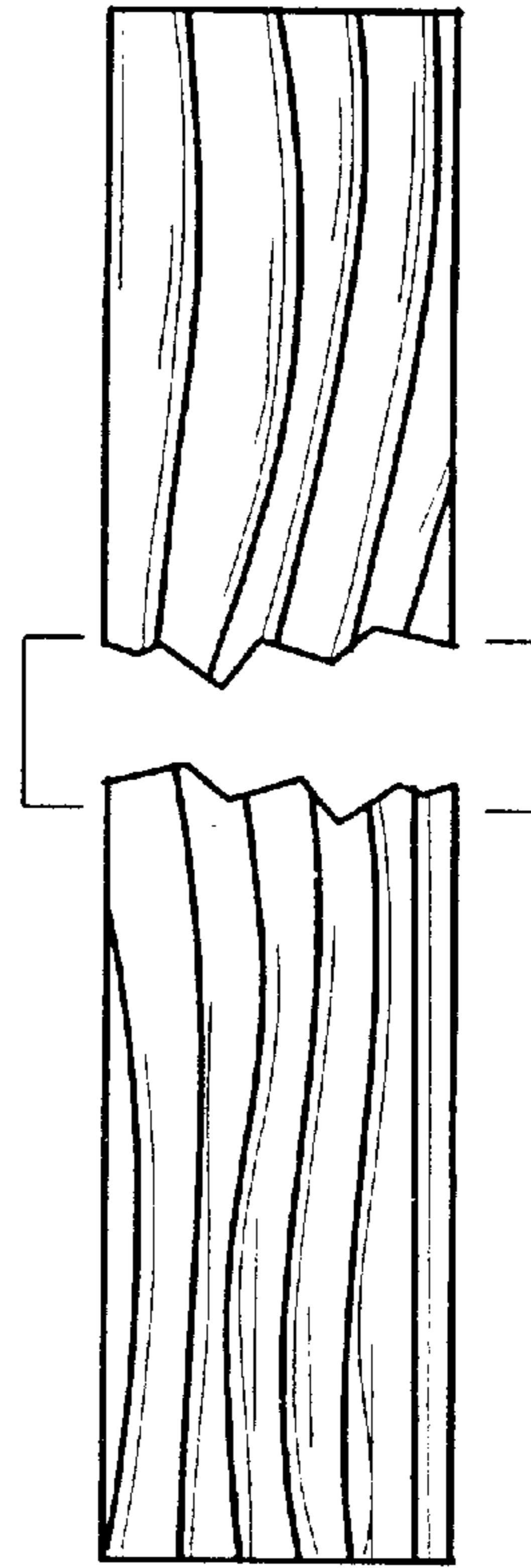


FIG. 2

FIG. 3

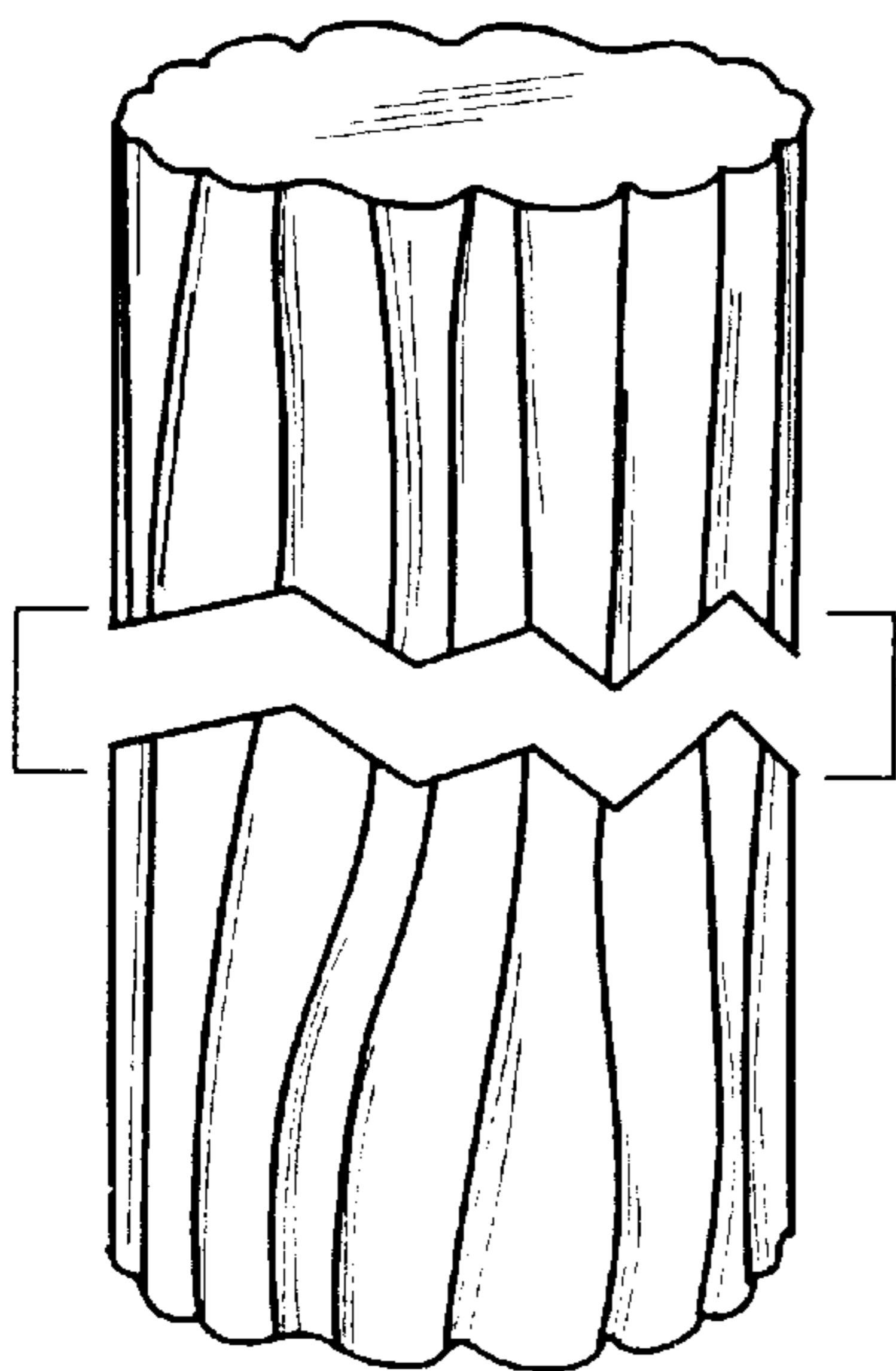


FIG. 4

