



US00D469278S

(12) **United States Design Patent**  
**Lippert**

(10) **Patent No.:** **US D469,278 S**

(45) **Date of Patent:** **\*\* Jan. 28, 2003**

(54) **FLUTE STAND**

(75) Inventor: **Helmut Lippert**, Breitenbrunn (DE)

(73) Assignee: **König & Meyer GmbH & Co. KG**,  
Wertheim (DE)

(\*\*) Term: **14 Years**

(21) Appl. No.: **29/154,567**

(22) Filed: **Jan. 25, 2002**

(30) **Foreign Application Priority Data**

Aug. 7, 2001 (XH) ..... DM/057 706

(51) **LOC (7) Cl.** ..... **06-06**

(52) **U.S. Cl.** ..... **D6/466; D17/13; D17/99**

(58) **Field of Search** ..... D17/99, 13, 20;  
211/85.6; 248/176.1, 170, 435, 443; 84/387 A,  
385 A, 453, 421; 206/314; D6/455, 466,  
453, 419; D16/244

(56) **References Cited**

**U.S. PATENT DOCUMENTS**

- 1,045,583 A \* 11/1912 Mills ..... 211/85.6
- 4,311,294 A \* 1/1982 Hawley ..... 248/165
- D269,567 S \* 7/1983 Lorenzini ..... D6/455
- 4,695,022 A \* 9/1987 Mendonsa et al. .... 248/176.1
- D329,342 S \* 9/1992 Schoenig ..... D6/466

- D332,882 S \* 2/1993 Graves ..... D6/466
- D415,805 S \* 10/1999 Wygonik ..... D21/715
- D435,365 S \* 12/2000 Eason et al. .... D6/466

\* cited by examiner

*Primary Examiner*—Ruth McInroy

(74) *Attorney, Agent, or Firm*—Friedrich Kueffner

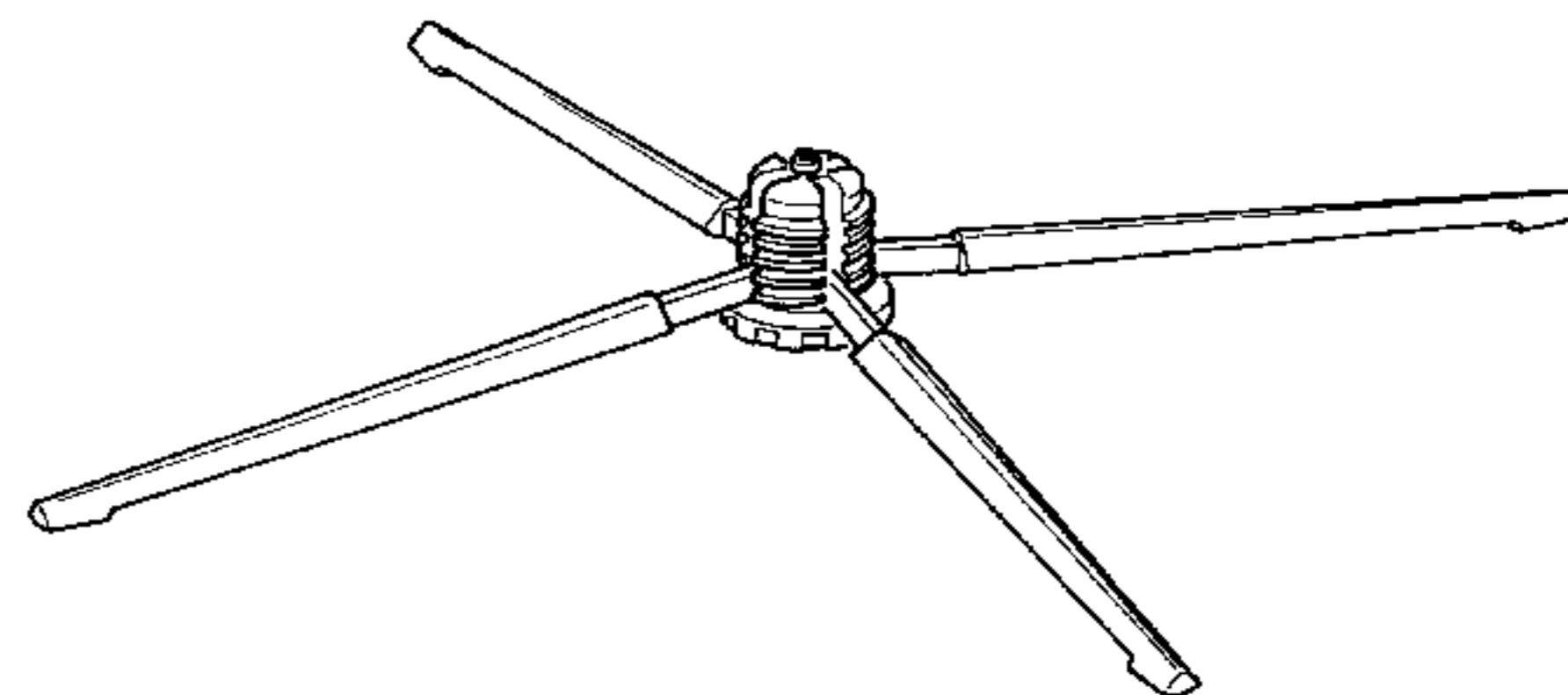
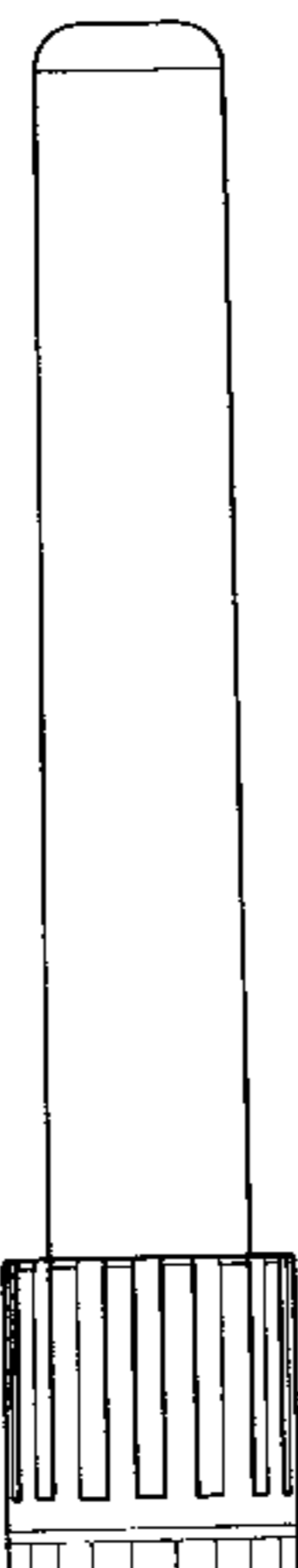
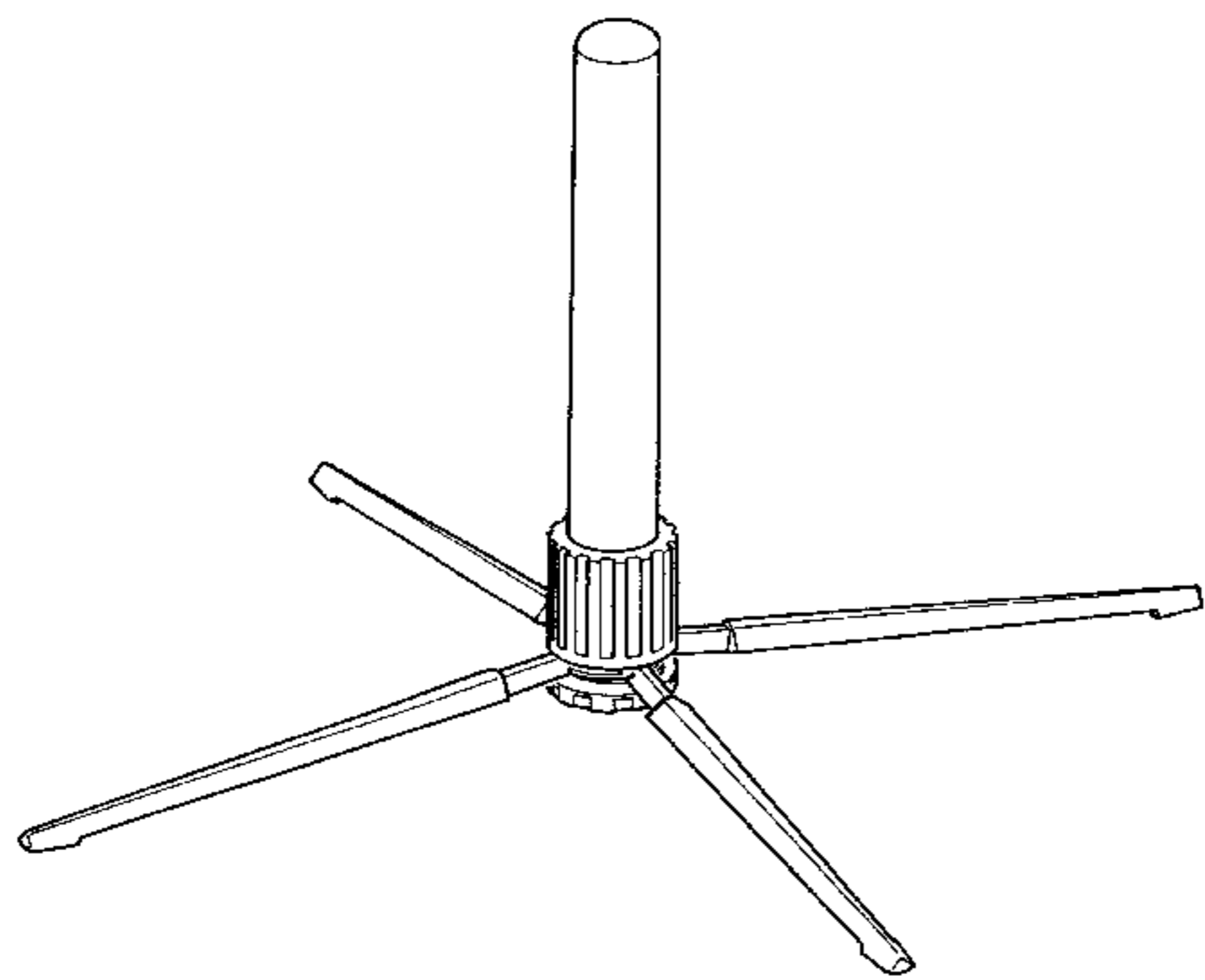
(57) **CLAIM**

The ornamental design for a flute stand, as shown and described.

**DESCRIPTION**

FIG. 1 is a front perspective view of a flute stand showing my new design;  
 FIG. 2 is a side view thereof;  
 FIG. 3 is a top view thereof;  
 FIG. 4 is a bottom view thereof;  
 FIG. 5 is a side view of a flute stand thereof, in a folded state with a screwed-on shaped attachment;  
 FIG. 6 is a perspective bottom view thereof;  
 FIG. 7 is a front perspective view thereof without the attachment;  
 FIG. 8 is a side view thereof;  
 FIG. 9 is a top view thereof;  
 FIG. 10 is a front perspective view thereof, in the folded state without the attachment; and,  
 FIG. 11 is a side view thereof.

**1 Claim, 11 Drawing Sheets**



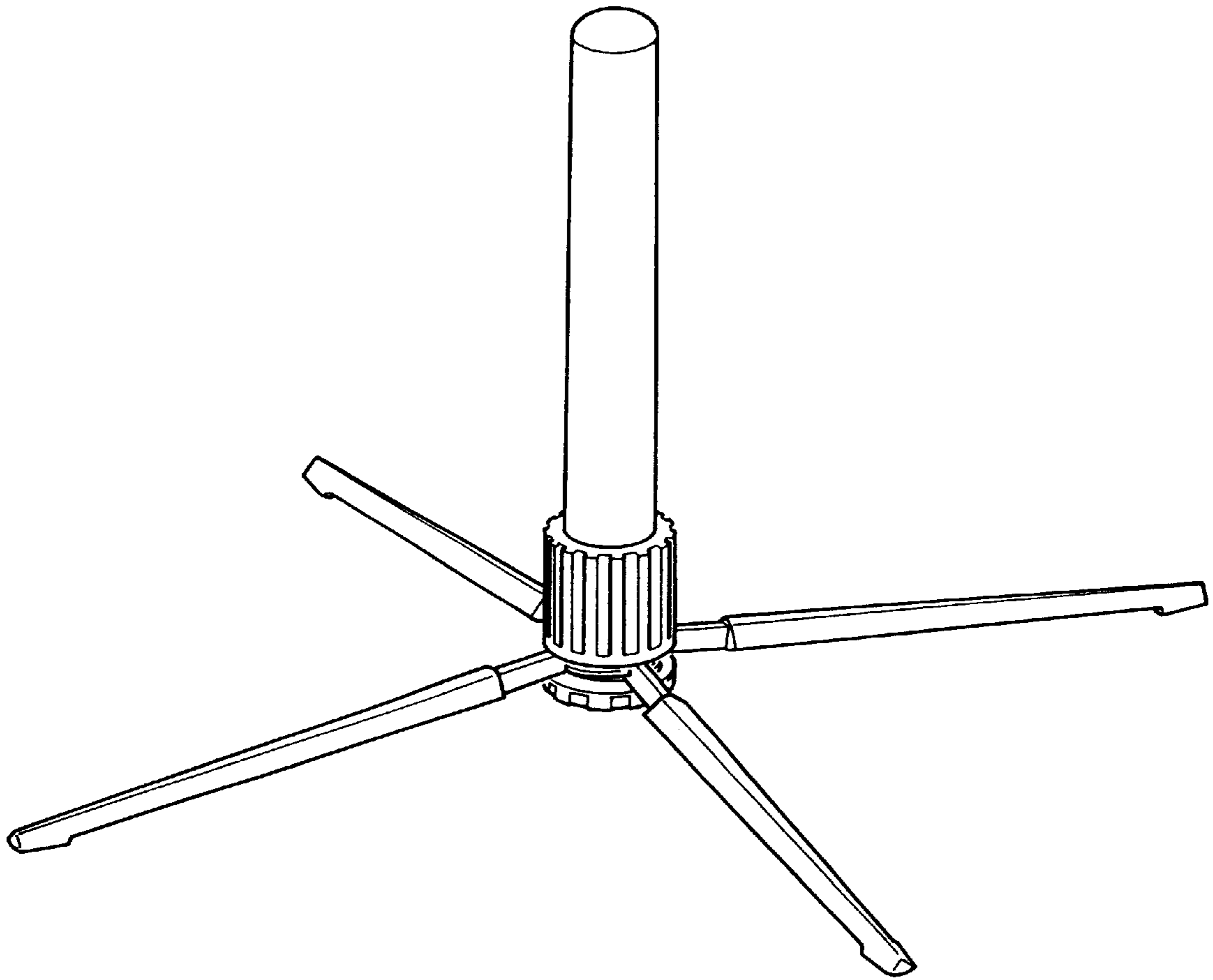


FIG. 1

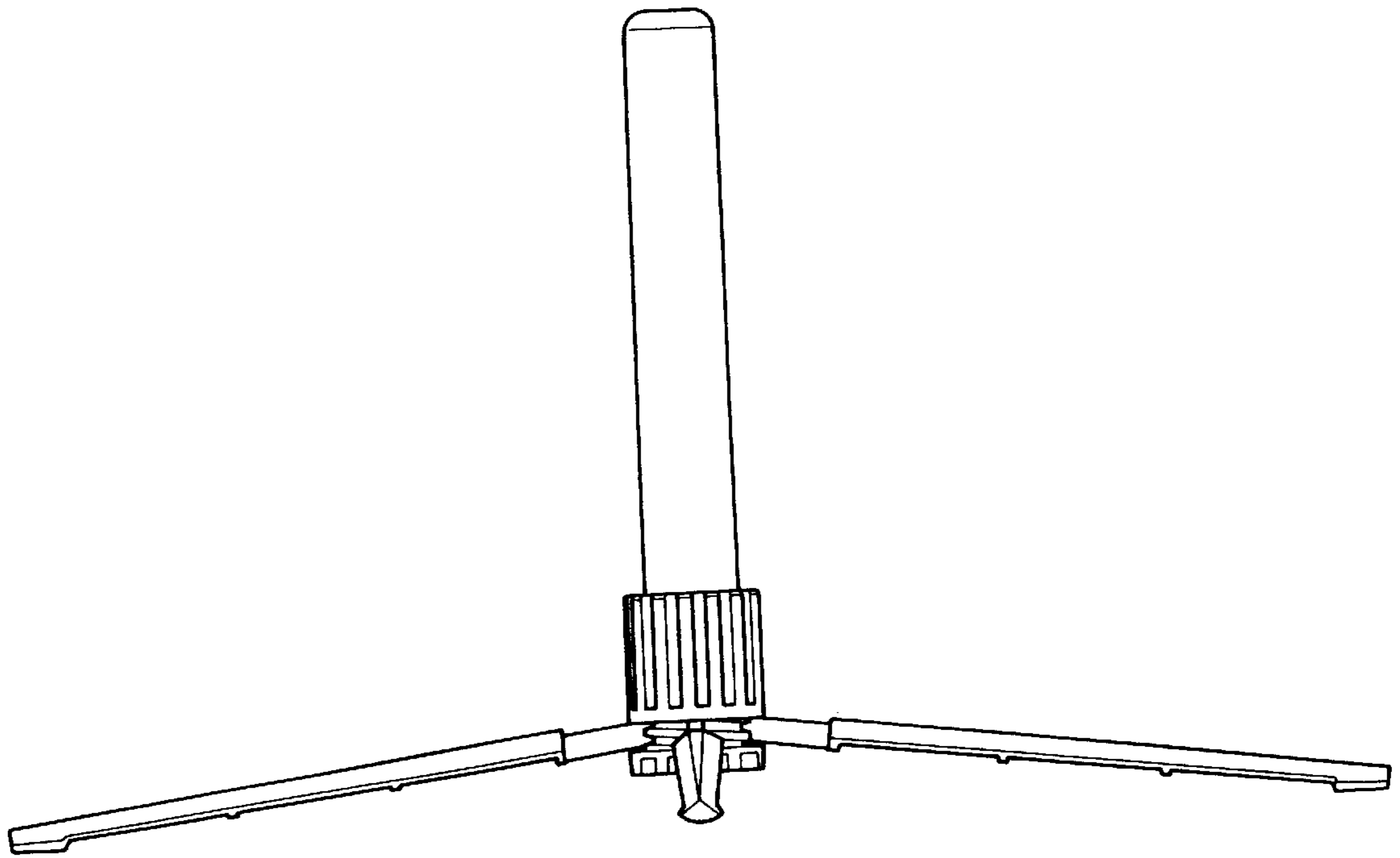


FIG. 2

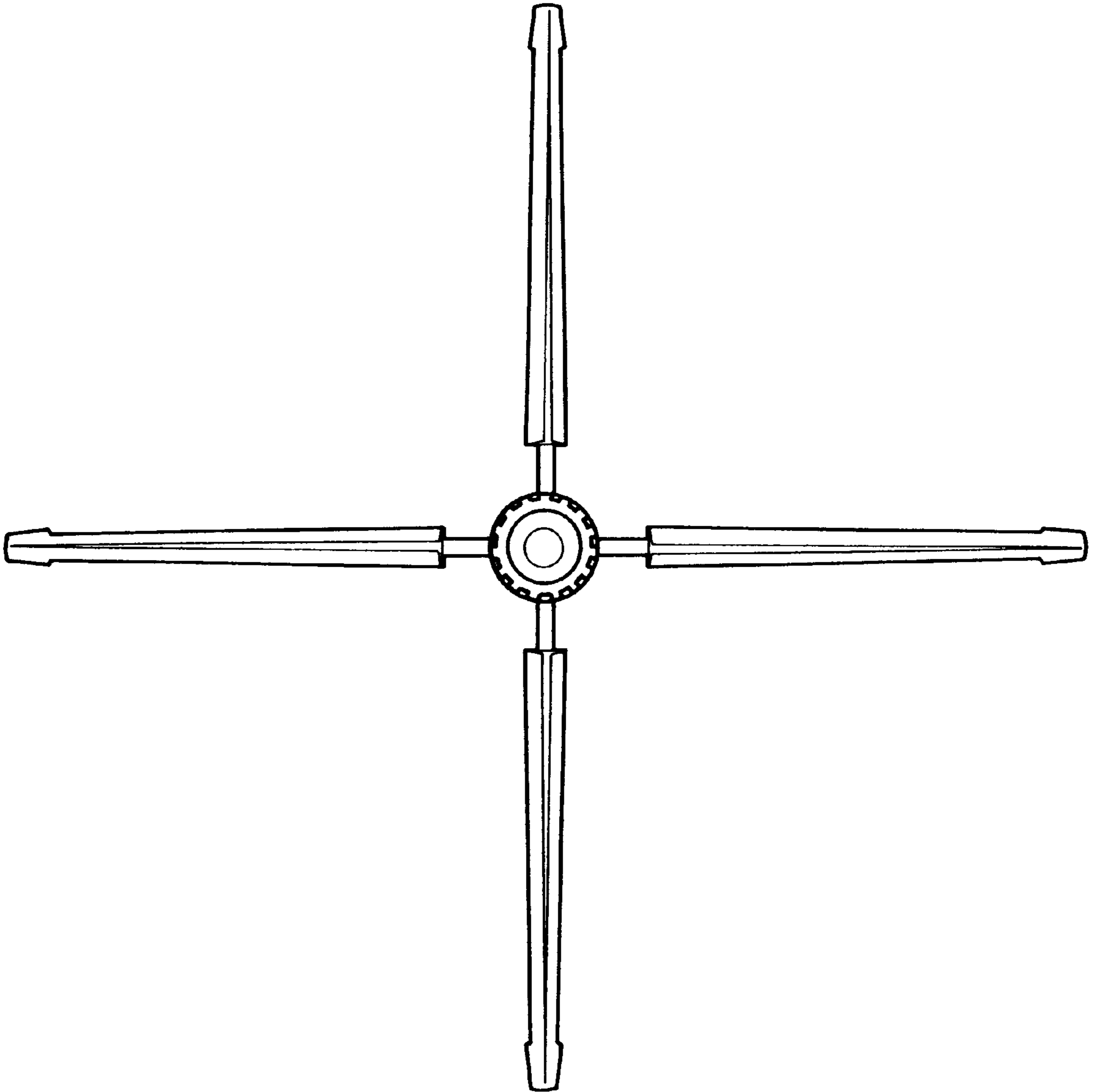


FIG. 3

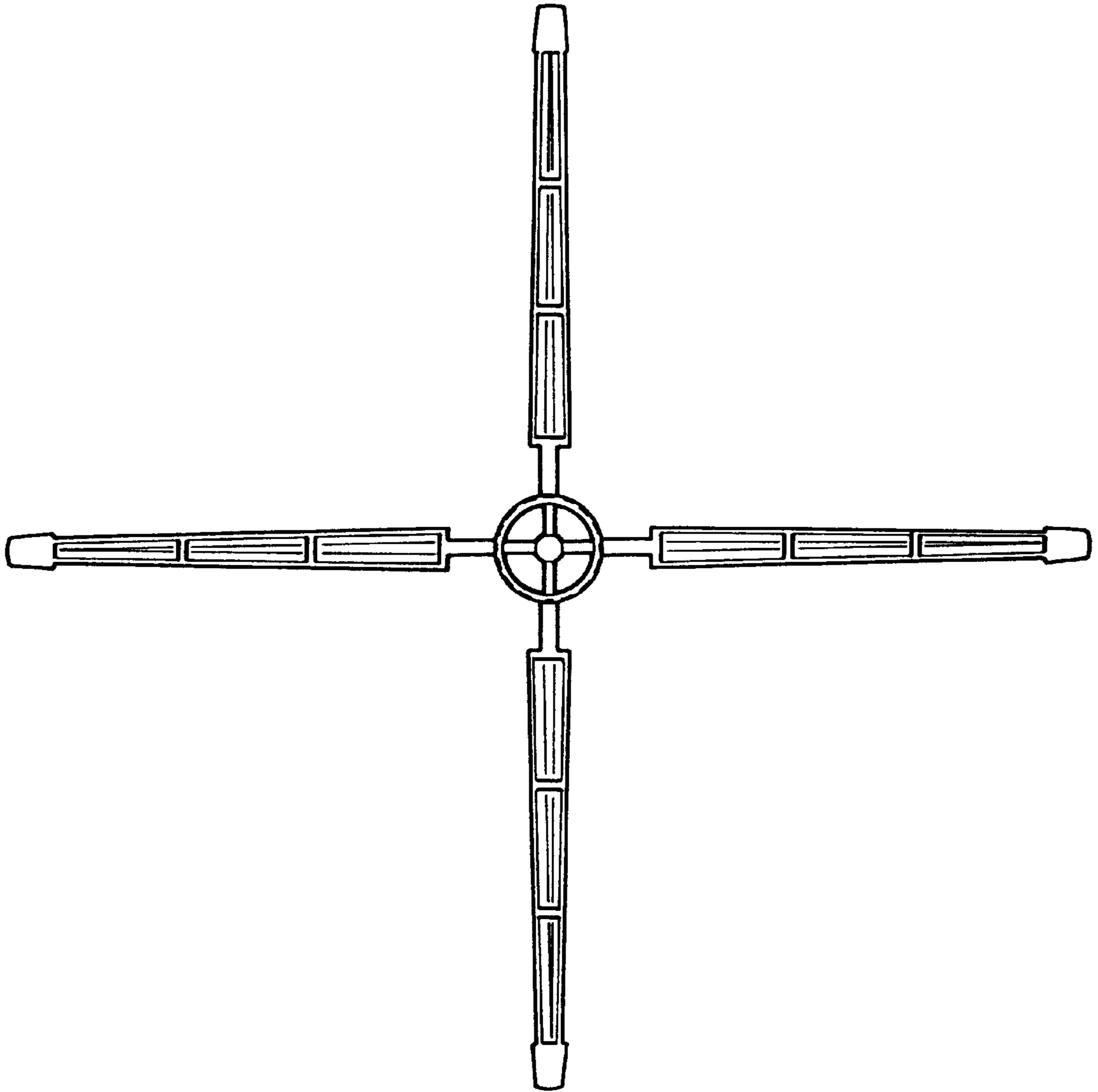


FIG. 4

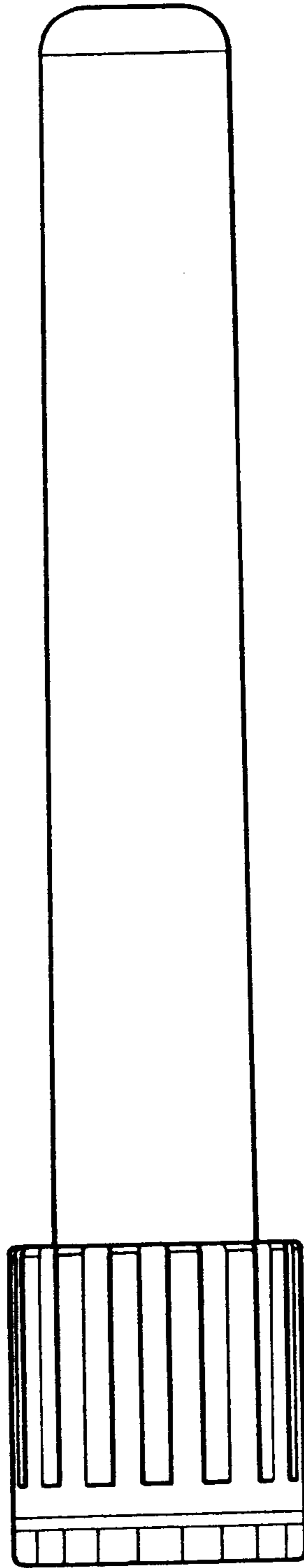


FIG. 5

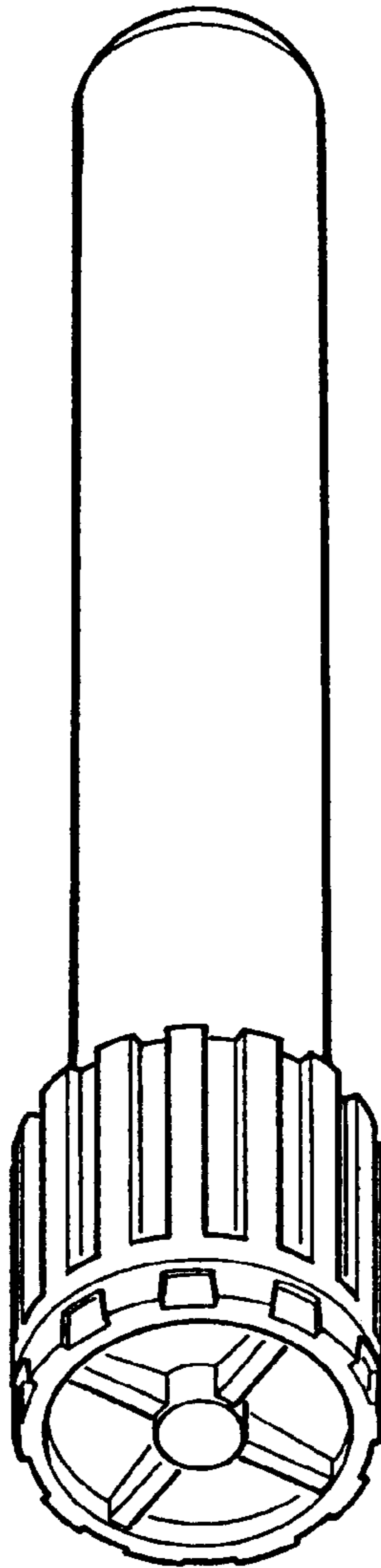


FIG. 6

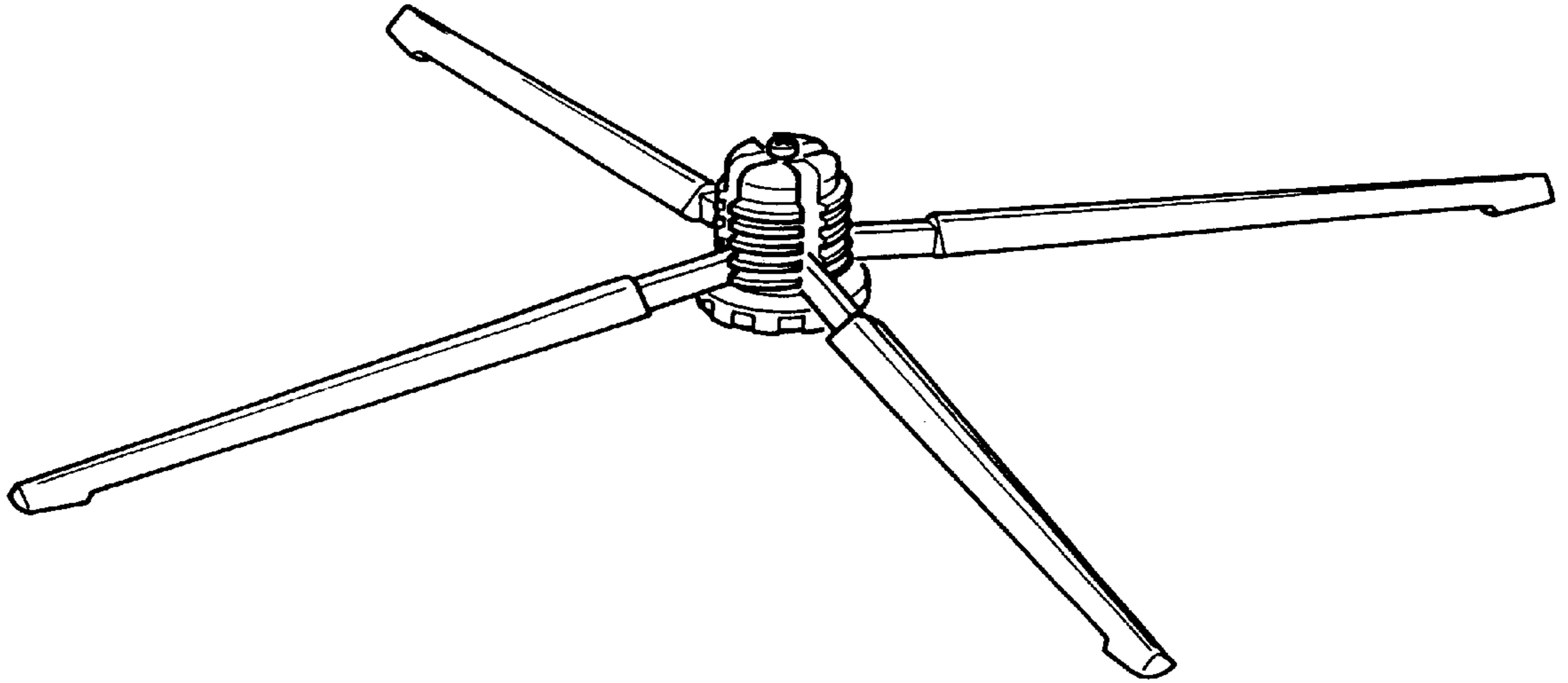


FIG. 7



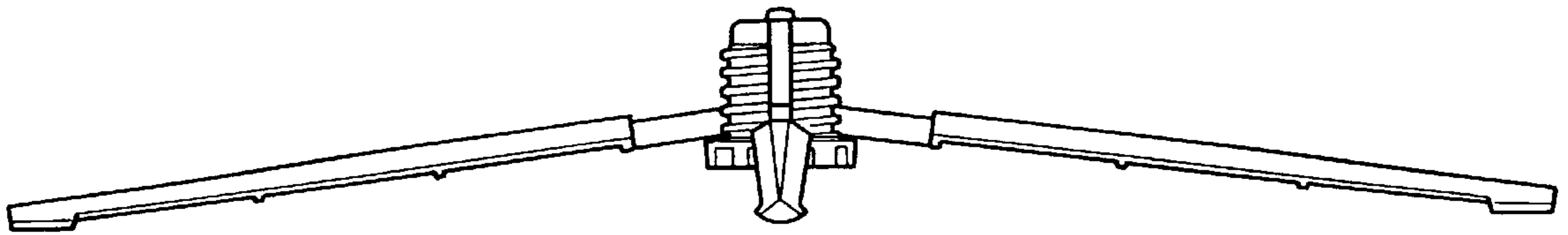


FIG. 8

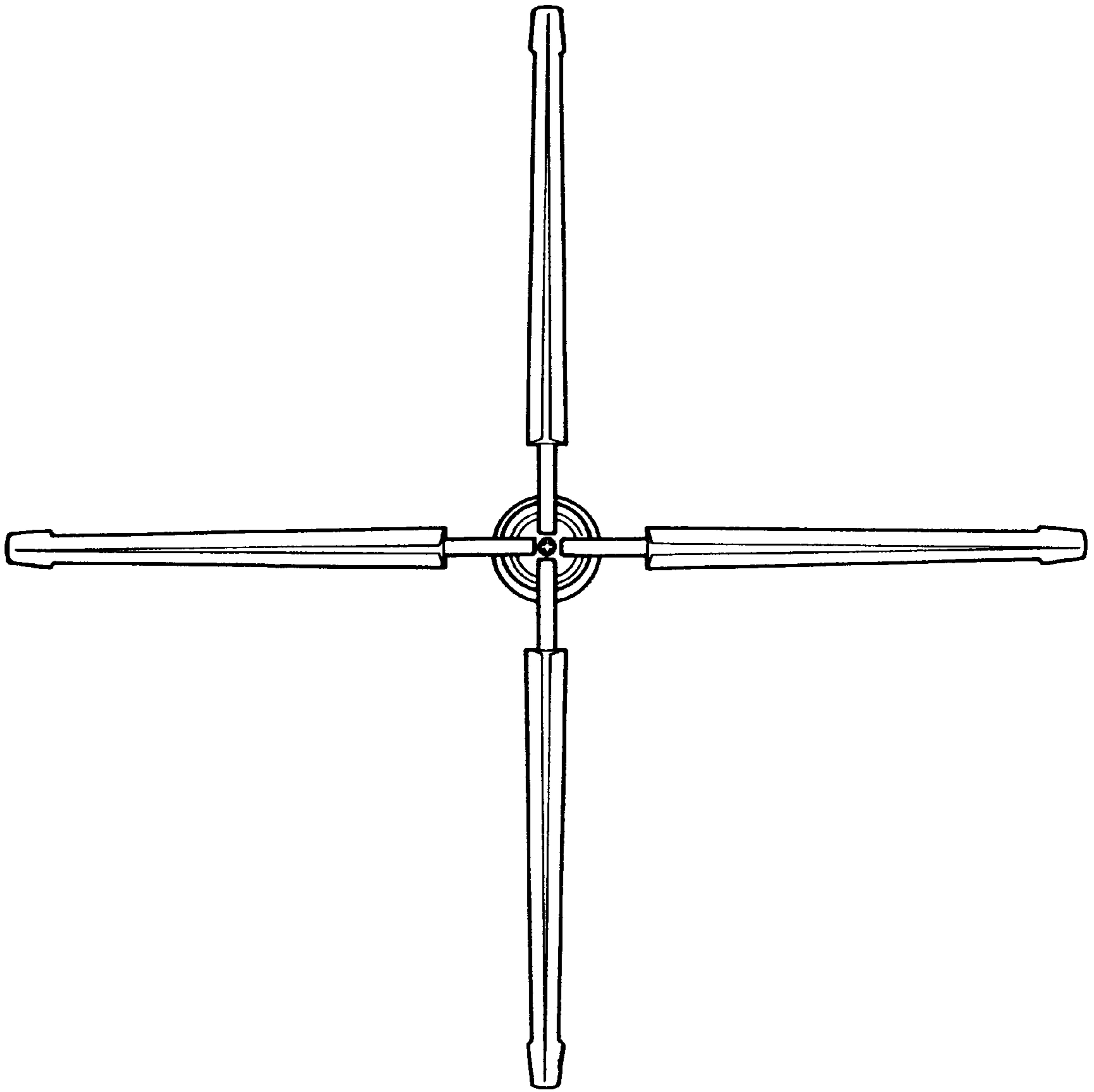


FIG. 9

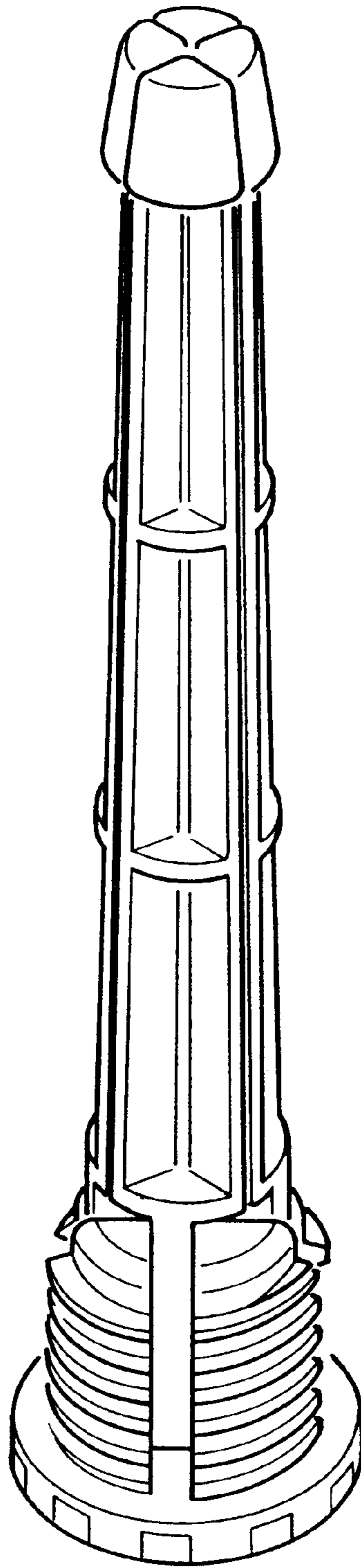


FIG. 10

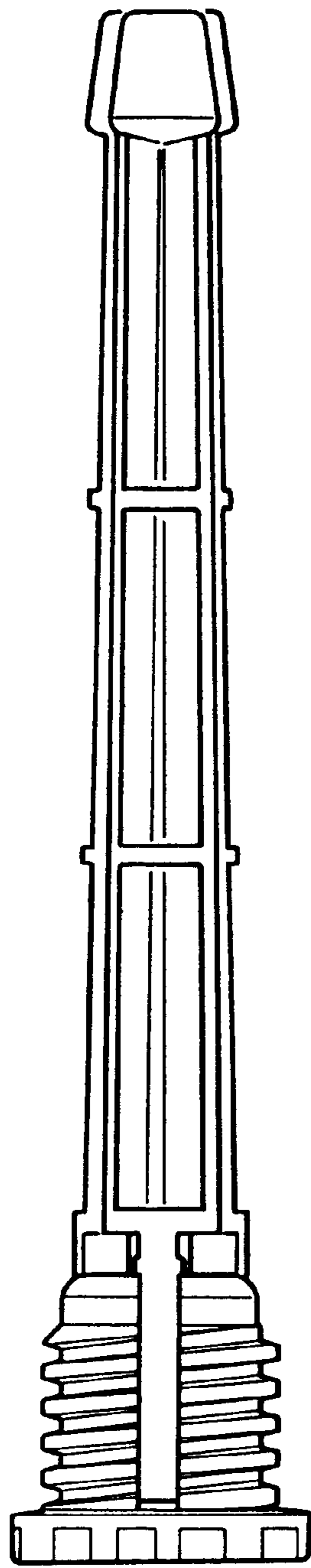


FIG. 11