



US00D469277S

(12) **United States Design Patent**
Vlaar

(10) **Patent No.:** **US D469,277 S**

(45) **Date of Patent:** **** Jan. 28, 2003**

(54) **DESKSTAND FOR LAPTOP COMPUTER**

(76) Inventor: **Erik Vlaar**, Ganzehof 32, 1679 Ta
Midwoud (NL)

(**) Term: **14 Years**

(21) Appl. No.: **29/152,082**

(22) Filed: **Oct. 31, 2001**

(30) **Foreign Application Priority Data**

May 1, 2001 (XH) DM/056 050

(51) **LOC (7) Cl.** **06-04**

(52) **U.S. Cl.** **D6/449; D6/466**

(58) **Field of Search** D6/406.4, 406.6,
D6/449, 466, 471, 473, 475; D14/497,
451; 108/1, 3, 4, 153.1, 158.12; 211/42,
43, 168

(56) **References Cited**

U.S. PATENT DOCUMENTS

D293,634 S * 1/1988 Rattner D6/406.4 X
4,852,746 A * 8/1989 Wells et al. 211/26.1
D344,076 S * 2/1994 Zahabi D14/114
6,095,062 A * 8/2000 Mouton 108/150

* cited by examiner

Primary Examiner—Cathron C. Brooks

(74) *Attorney, Agent, or Firm*—Webb Ziesenheim Logsdon
Orkin & Hanson, P.C.

(57) **CLAIM**

The ornamental design for a deskstand for laptop computer,
as shown and described.

DESCRIPTION

FIG. 1 is a front right perspective view of the deskstand for
laptop computer in accordance with present invention;

FIG. 2 is a rear left perspective view of the deskstand shown
in FIG. 1;

FIG. 3 is a right side view of the deskstand shown in FIG.
1;

FIG. 4 is a left side view of the deskstand shown in FIG. 1;

FIG. 5 is a top front angled view of the deskstand shown in
FIG. 1;

FIG. 6 is a bottom front angled view of the deskstand shown
in FIG. 1;

FIG. 7 is a bottom angled view of the deskstand shown in
FIG. 1;

FIG. 8 is a top rear angled view of the deskstand shown in
FIG. 1;

FIG. 9 is a plan view of a first support stand included in the
deskstand shown in FIG. 1, and shown separately for
completeness of illustration;

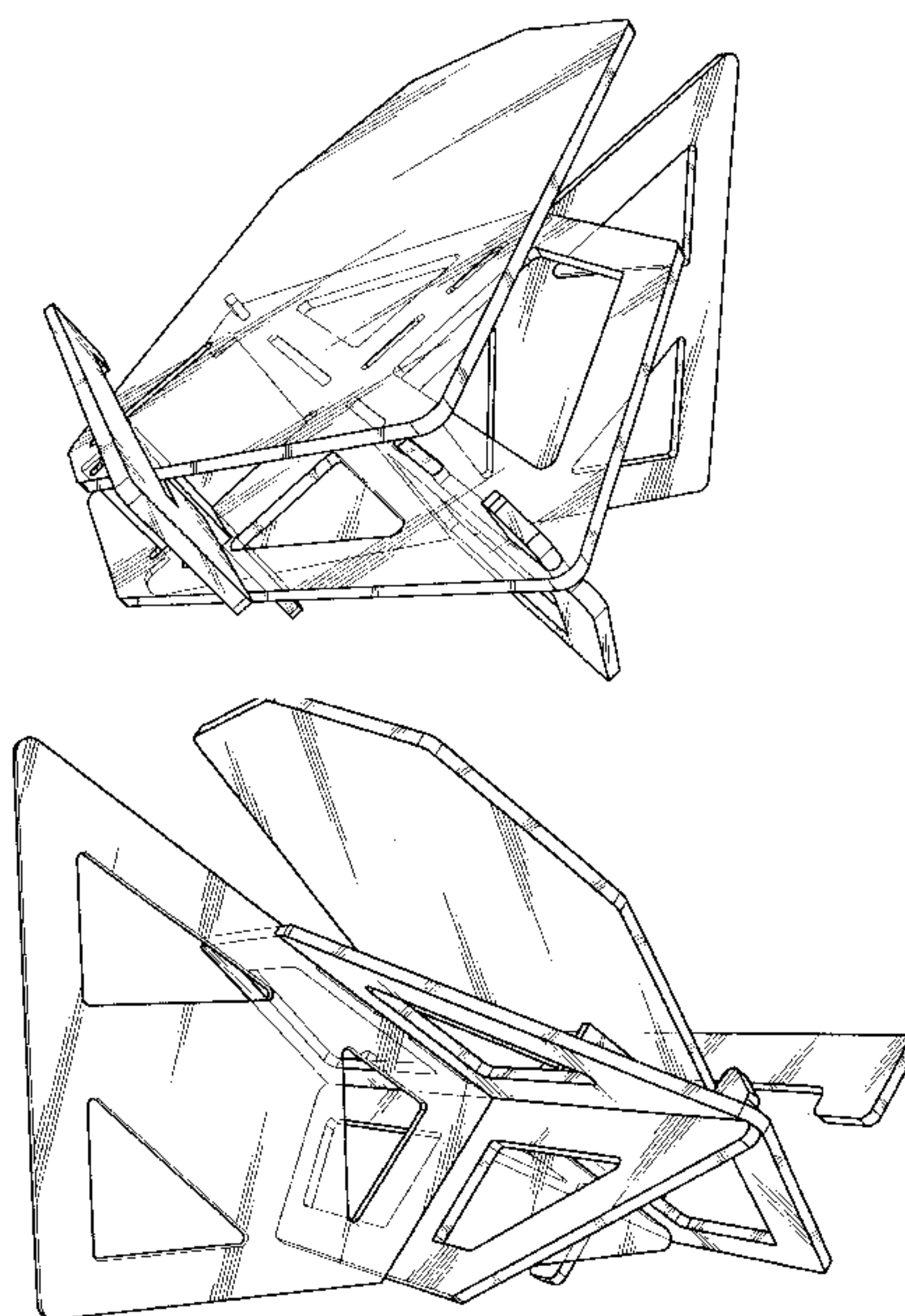
FIG. 10 is a plan view of a laptop shelf included in the
deskstand shown in FIG. 1, and shown separately for
completeness of illustration;

FIG. 11 is a plan view of a document holder included in the
deskstand shown in FIG. 1, and shown separately for
completeness of illustration;

FIG. 12 is a plan view of a second support stand included in
the deskstand shown in FIG. 1, and shown separately for
completeness of illustration; and,

FIG. 13 is a plan view of a third support stand included in
the deskstand shown in FIG. 1, and shown separately for
completeness of illustration.

1 Claim, 6 Drawing Sheets



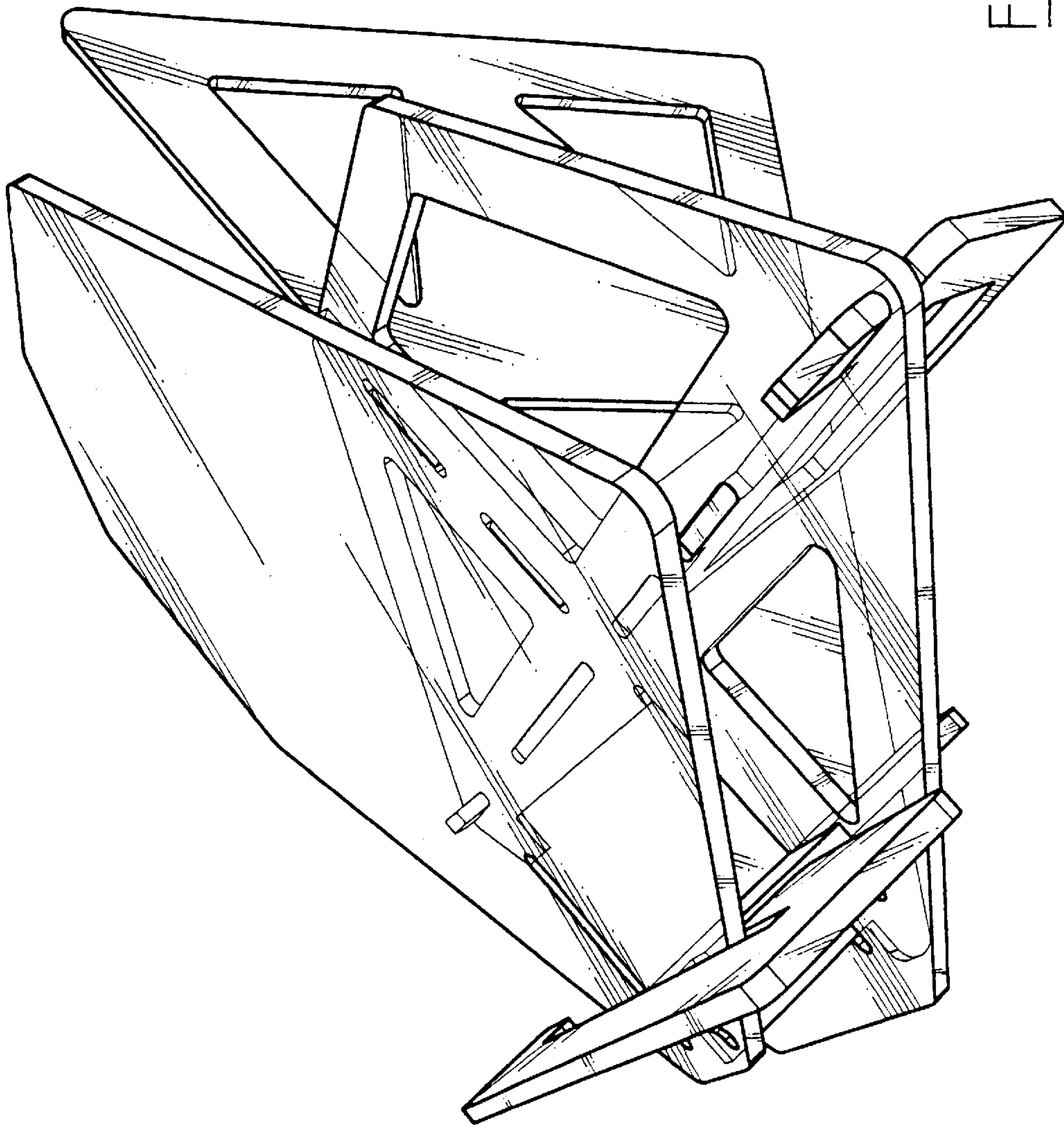


FIG. 1

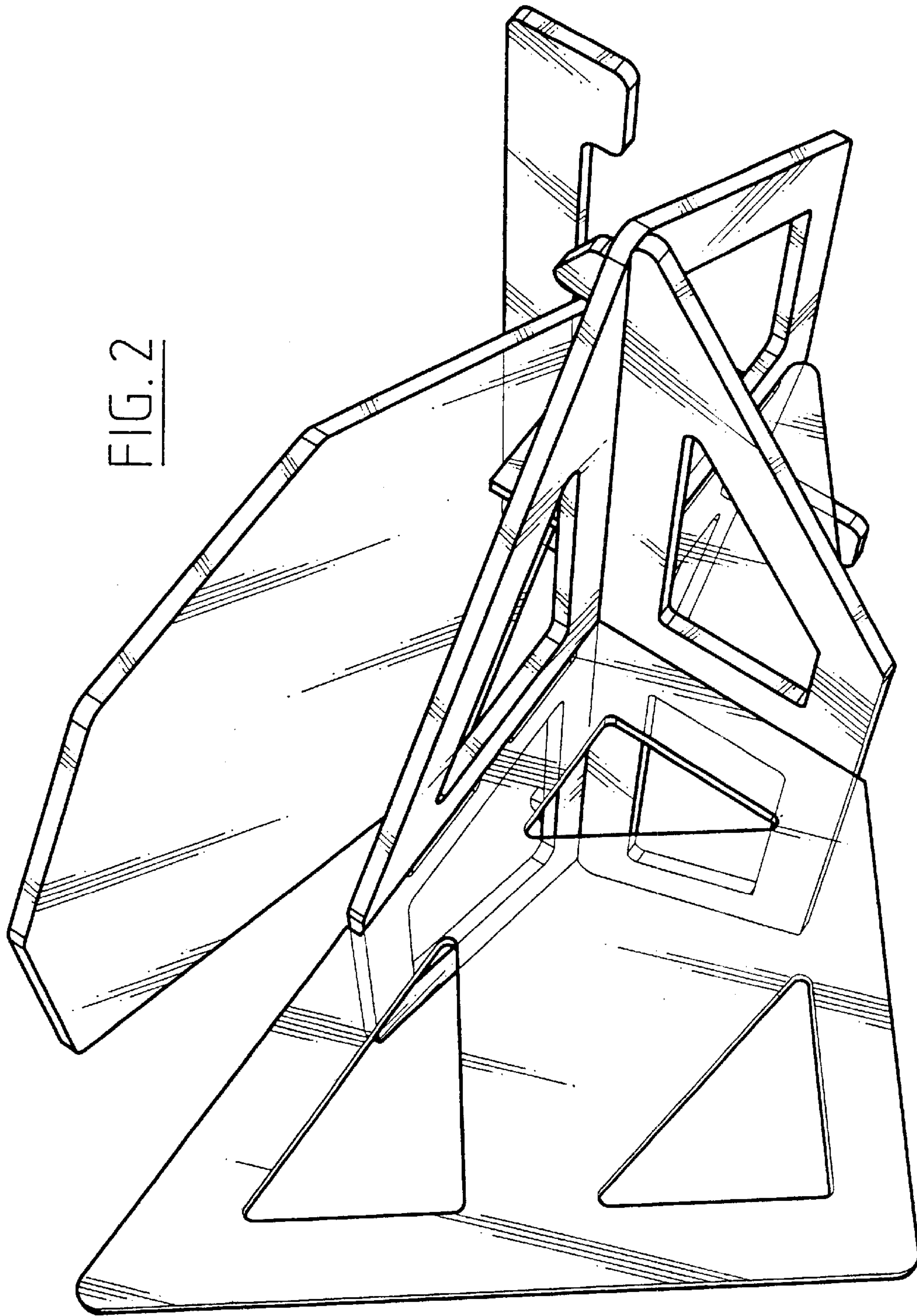


FIG. 2

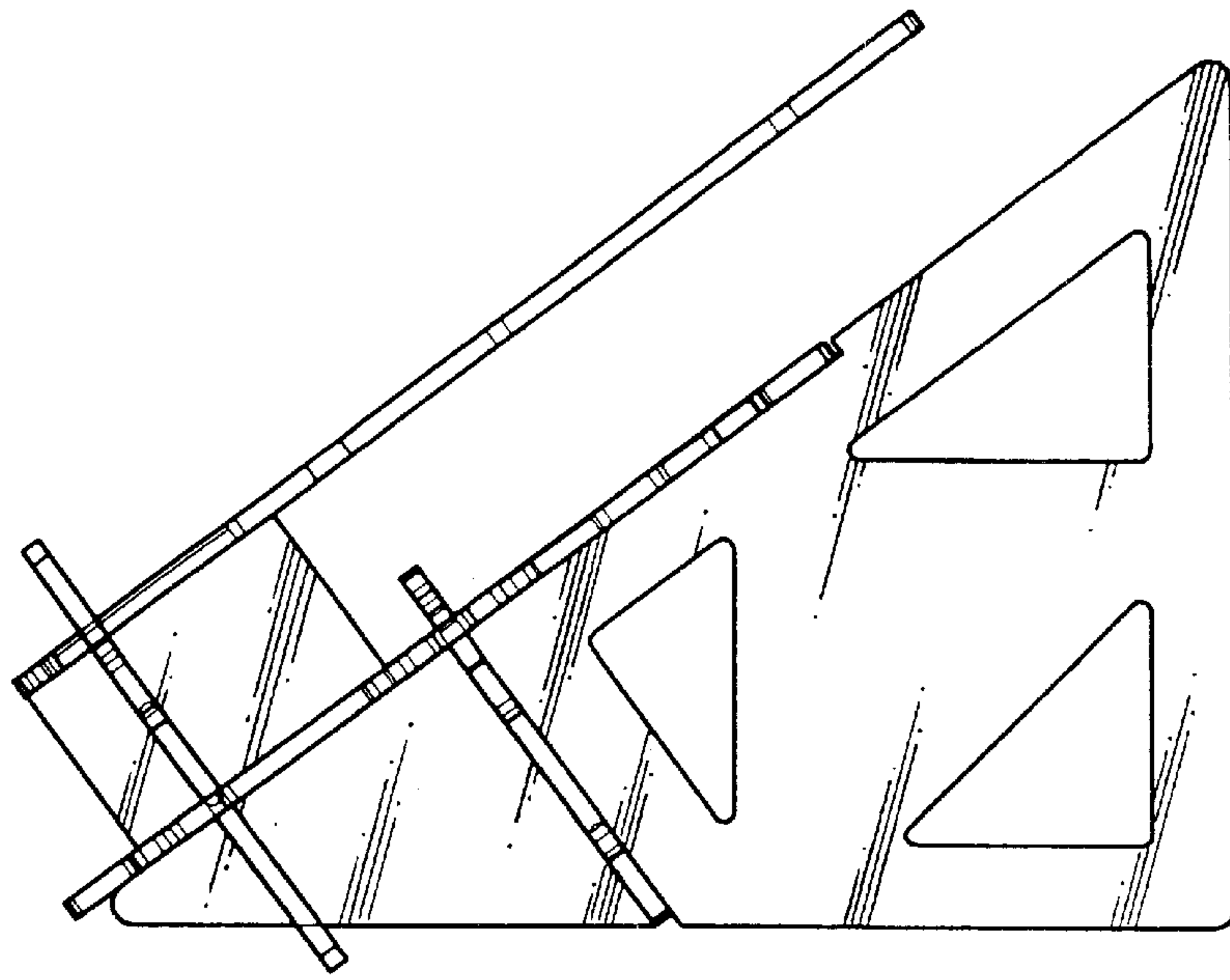


FIG. 3

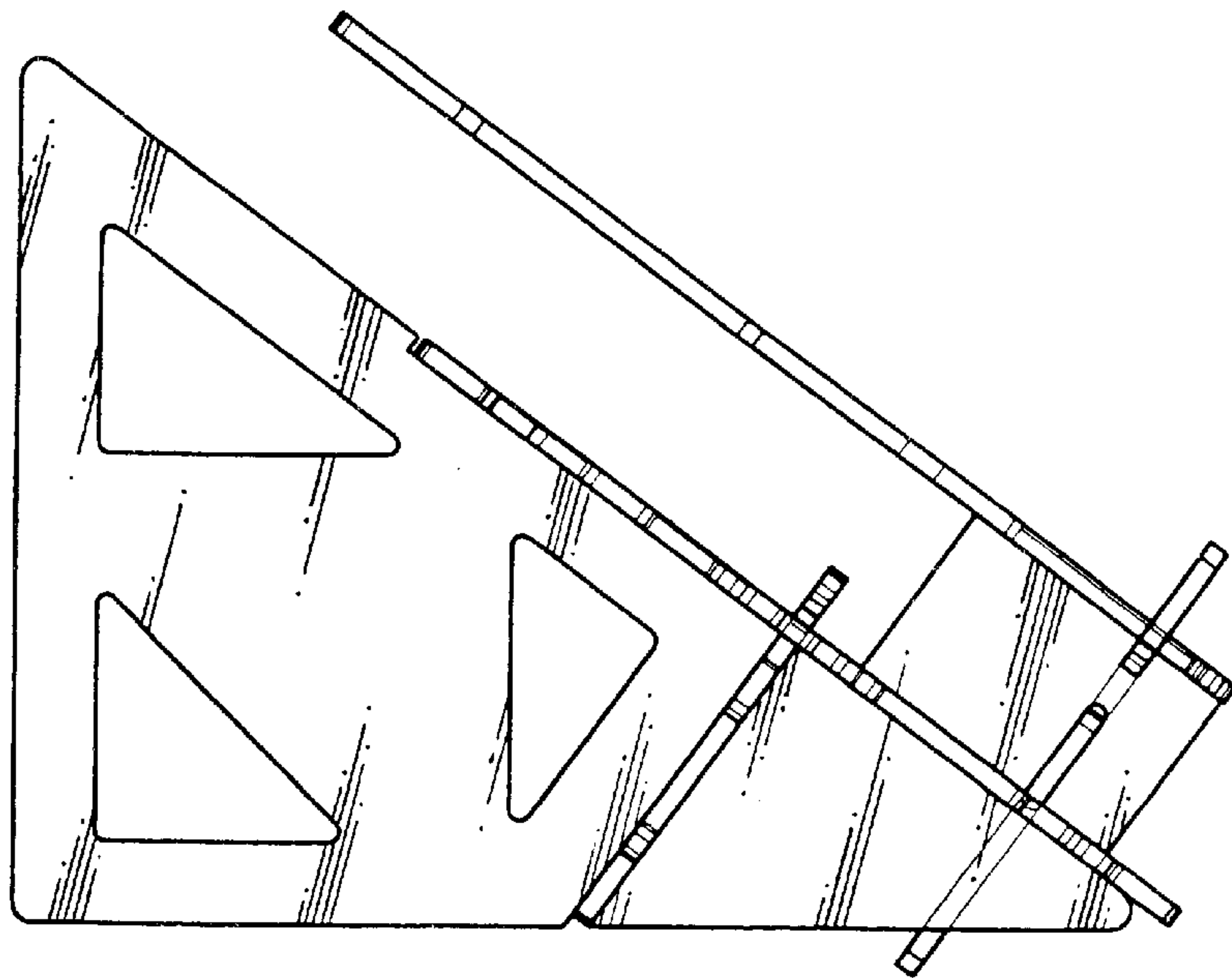


FIG. 4

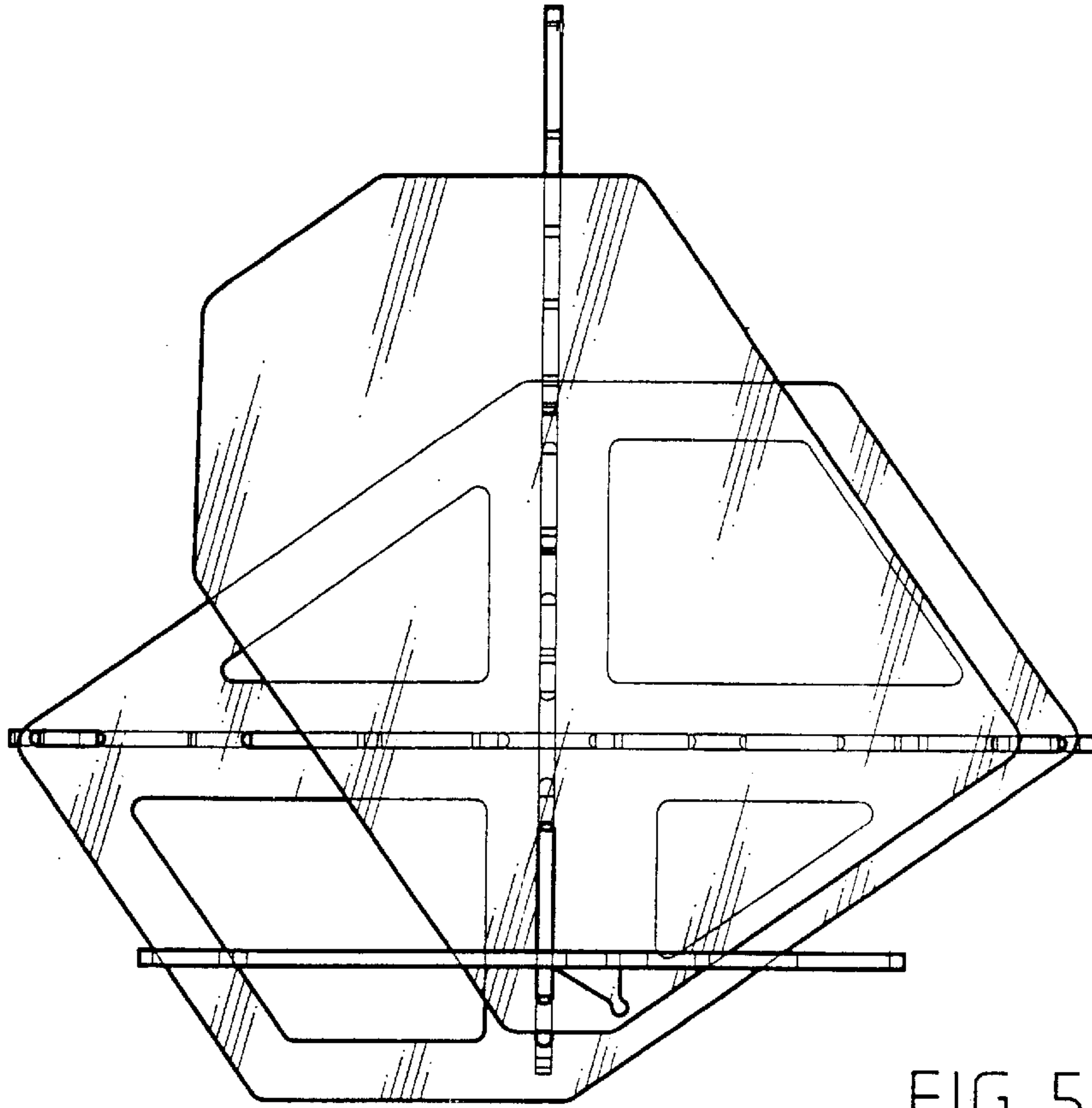


FIG. 5

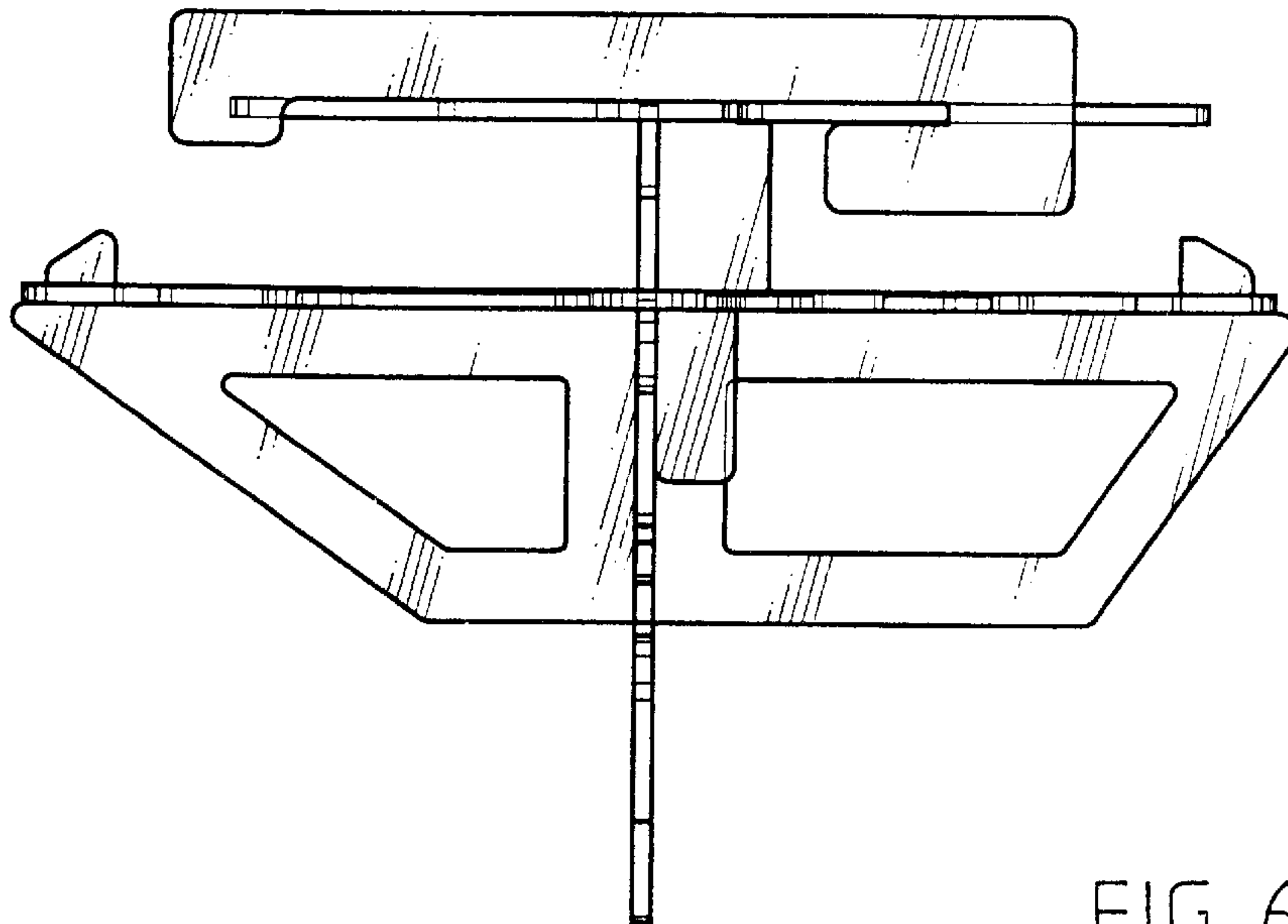


FIG. 6

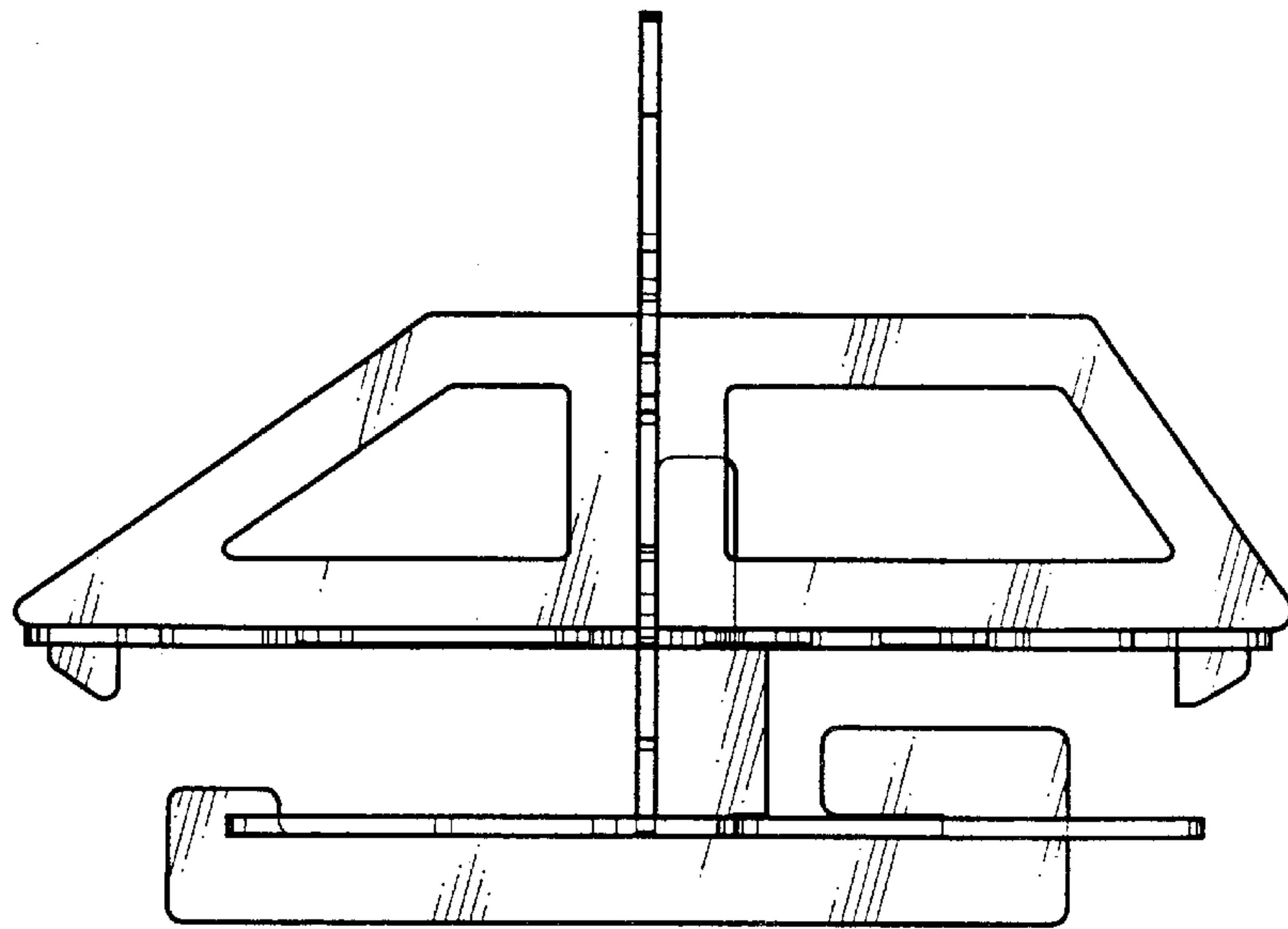


FIG. 8

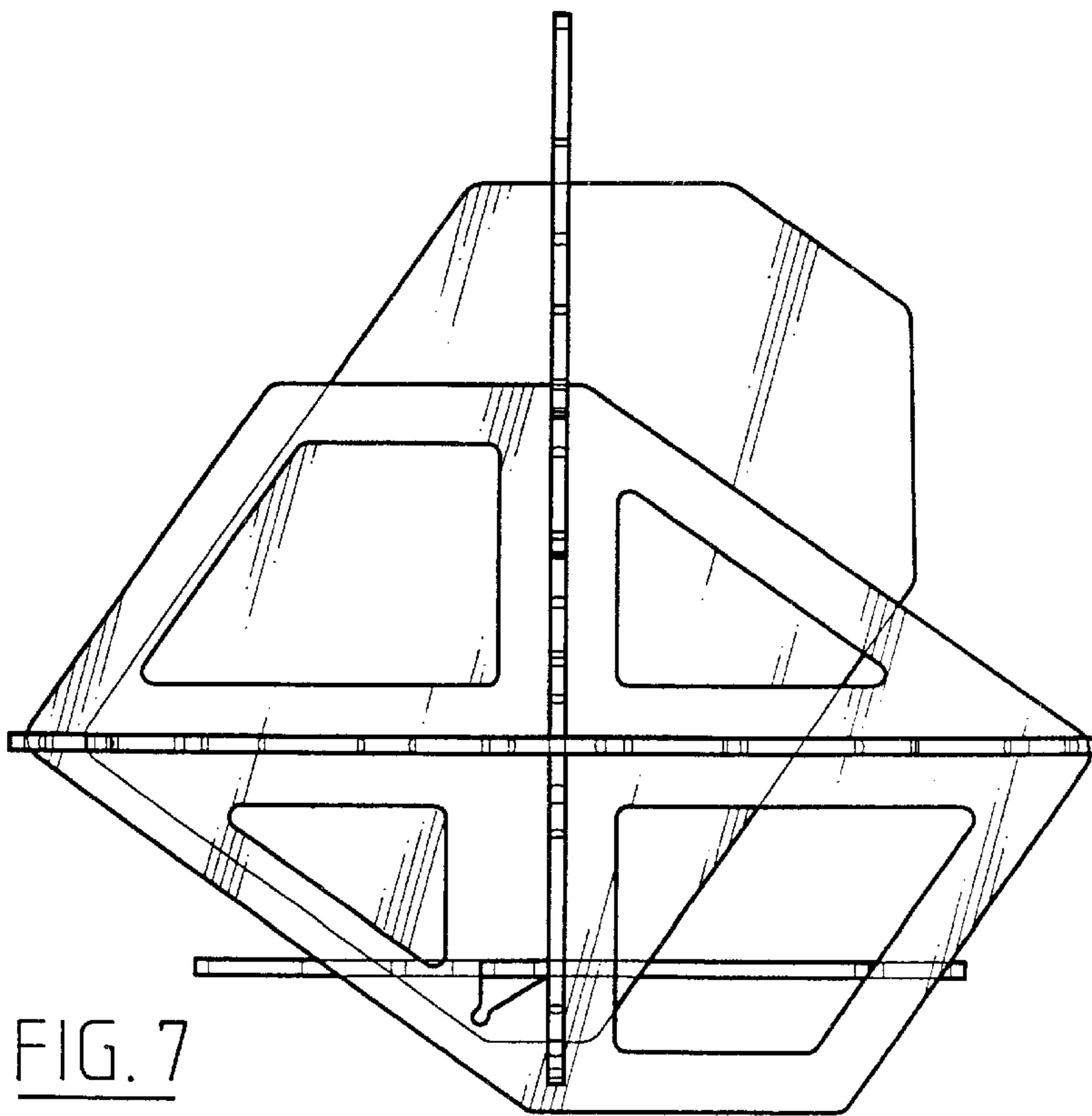


FIG. 7

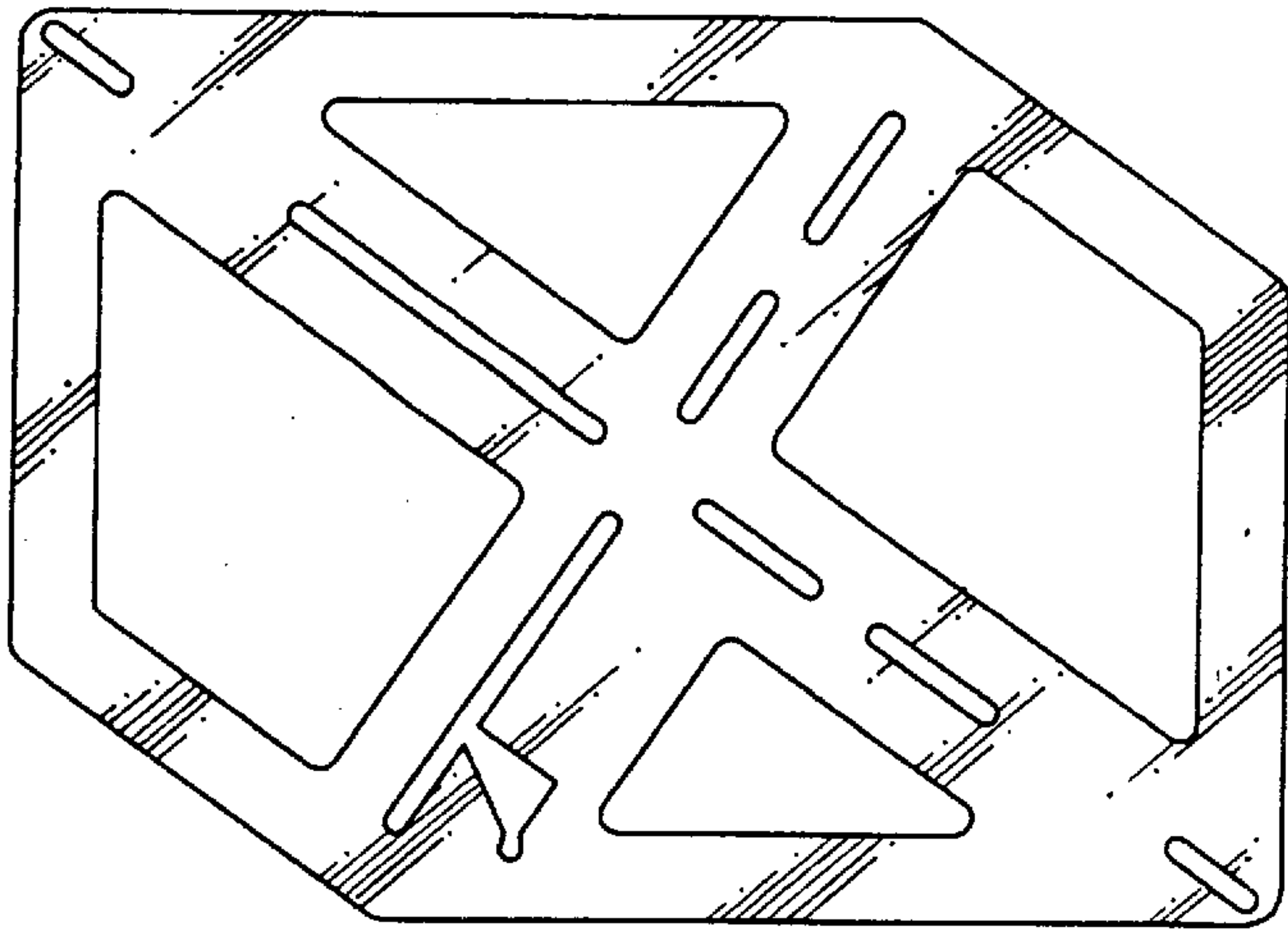


FIG. 10

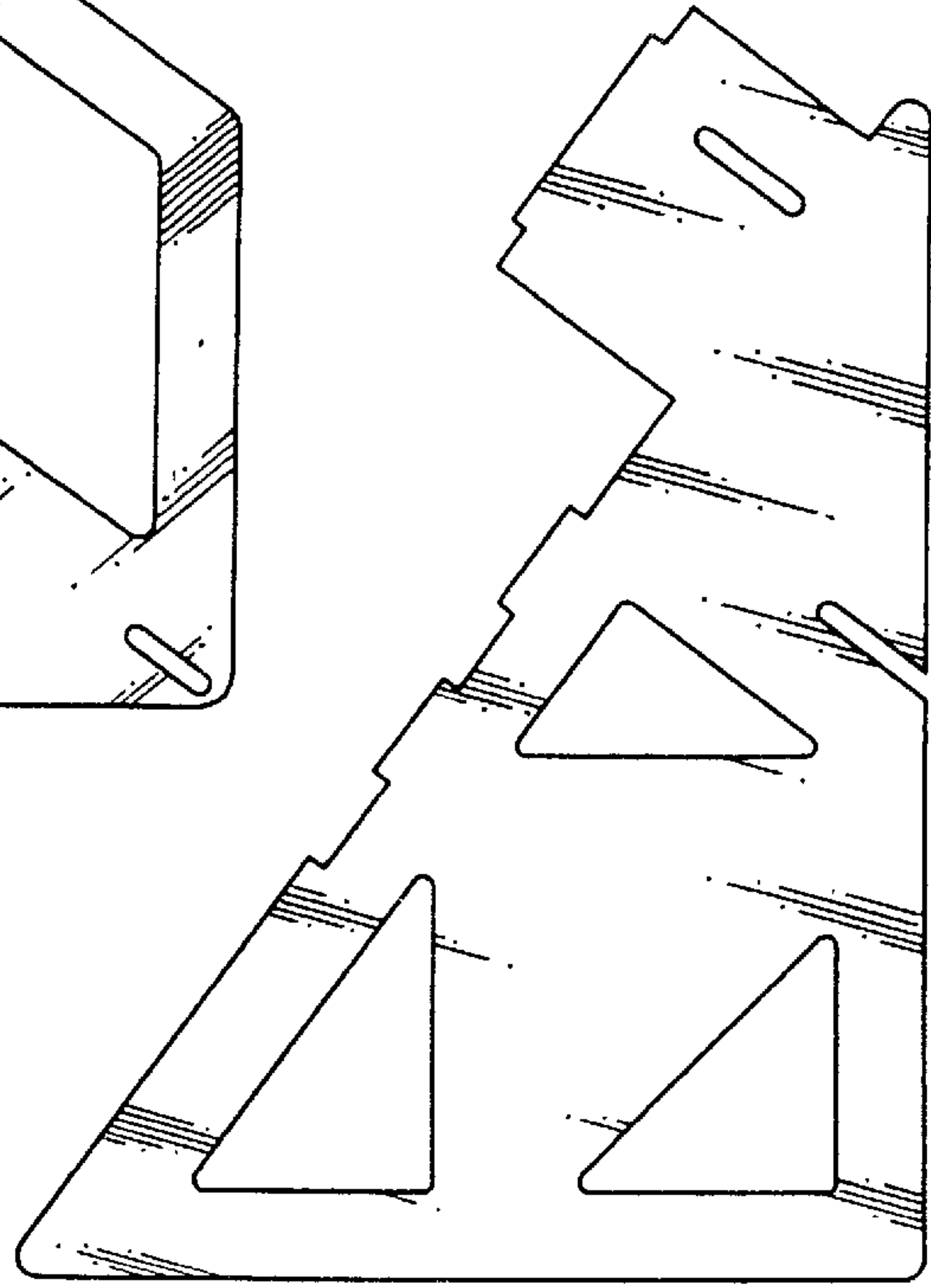


FIG. 9

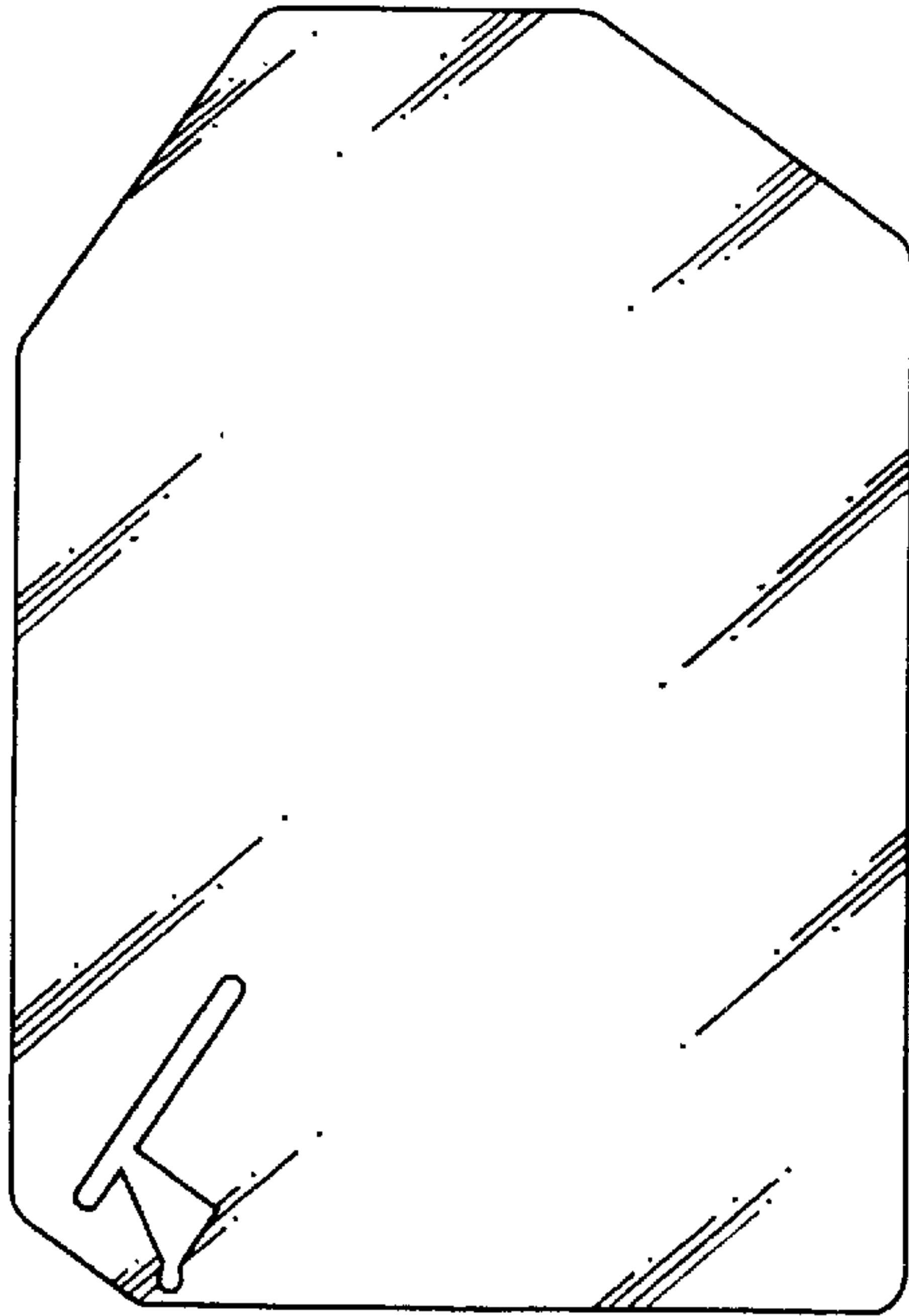


FIG. 11

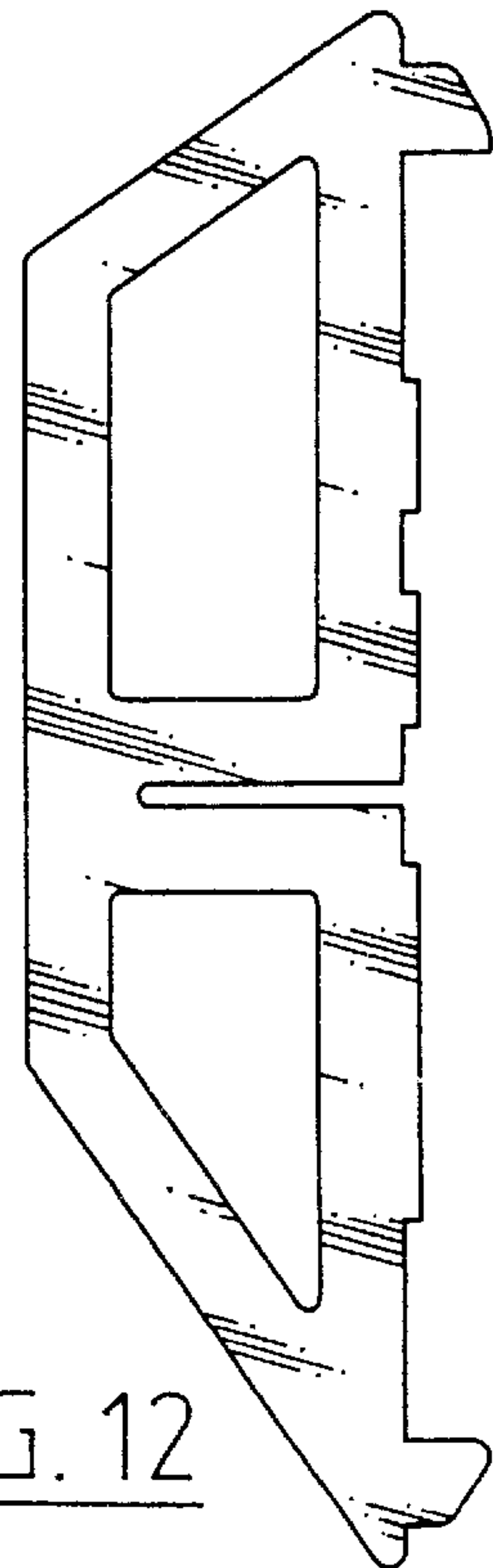


FIG. 12

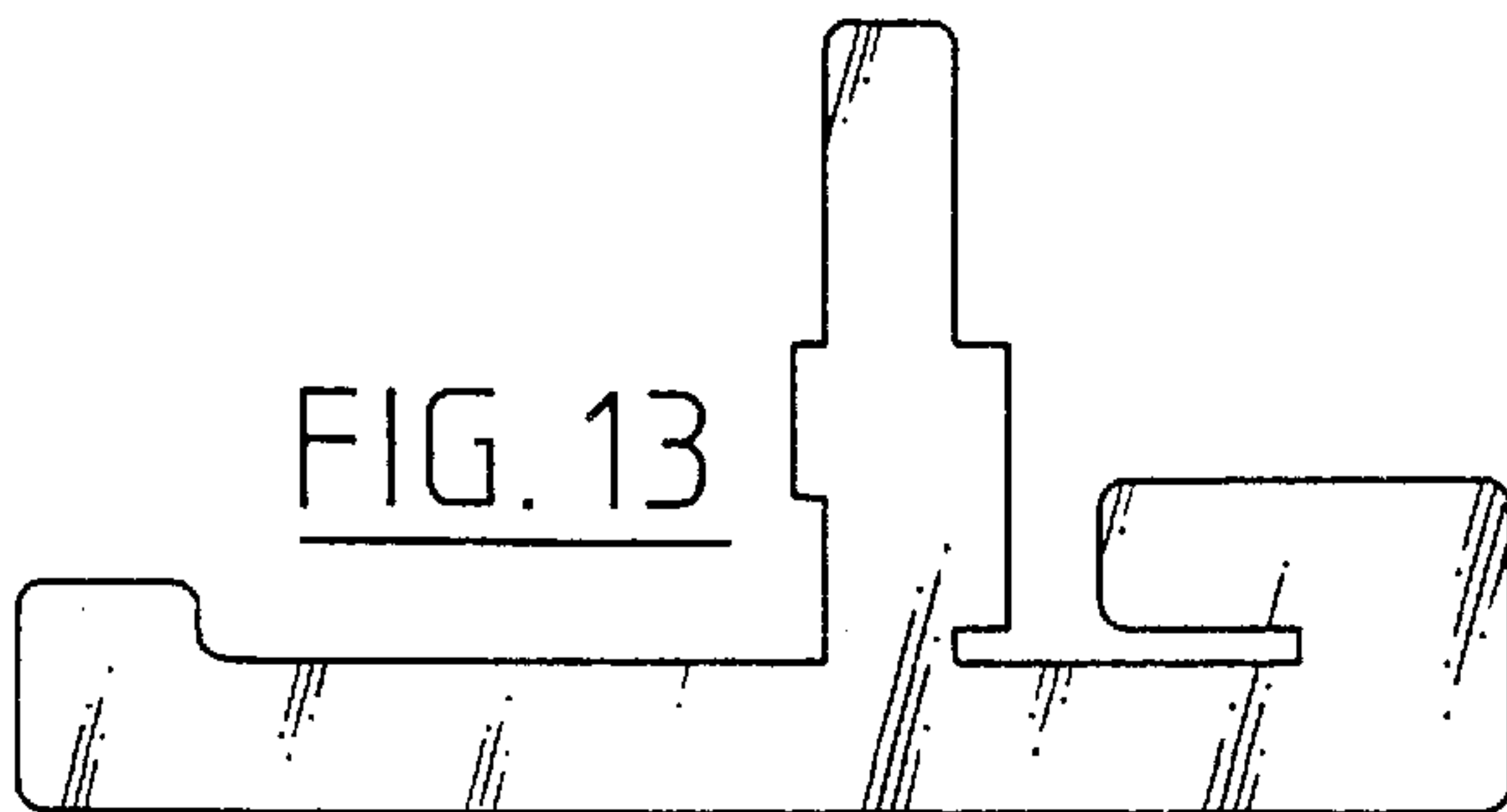


FIG. 13