



US00D469271S

(12) **United States Design Patent**
Avrahami

(10) **Patent No.:** **US D469,271 S**

(45) **Date of Patent:** **** Jan. 28, 2003**

(54) **FOLDABLE TABLE**

(75) Inventor: **Shimshon Avrahami**, Kibbutz Bet-Zera (IL)

(73) Assignee: **'AR-KAL' Plastics Products (1973) Limited Partnership**, Kibbutz Bet-Zera (IL)

(**) Term: **14 Years**

(21) Appl. No.: **29/154,882**

(22) Filed: **Jan. 30, 2002**

(30) **Foreign Application Priority Data**

Aug. 1, 2001 (IL) 35454

(51) **LOC (7) Cl.** **06-03**

(52) **U.S. Cl.** **D6/429; D6/480**

(58) **Field of Search** D6/480-489, 495-499, D6/429-431; 108/153, 155, 156, 157.1, 161, 187, 131, 129, 130; 248/188, 188.1, 188.8

(56) **References Cited**

U.S. PATENT DOCUMENTS

2,689,158 A * 9/1954 Mahr 108/131
2,774,643 A * 12/1956 Gladsden et al. 108/131
4,951,576 A * 8/1990 Cobos et al. 108/131

6,032,585 A * 3/2000 Pinch 108/36
6,371,034 B1 * 4/2002 Simpson et al. 108/129

* cited by examiner

Primary Examiner—Janice E. Seeger

(74) *Attorney, Agent, or Firm*—Christie, Parker & Hale, LLP

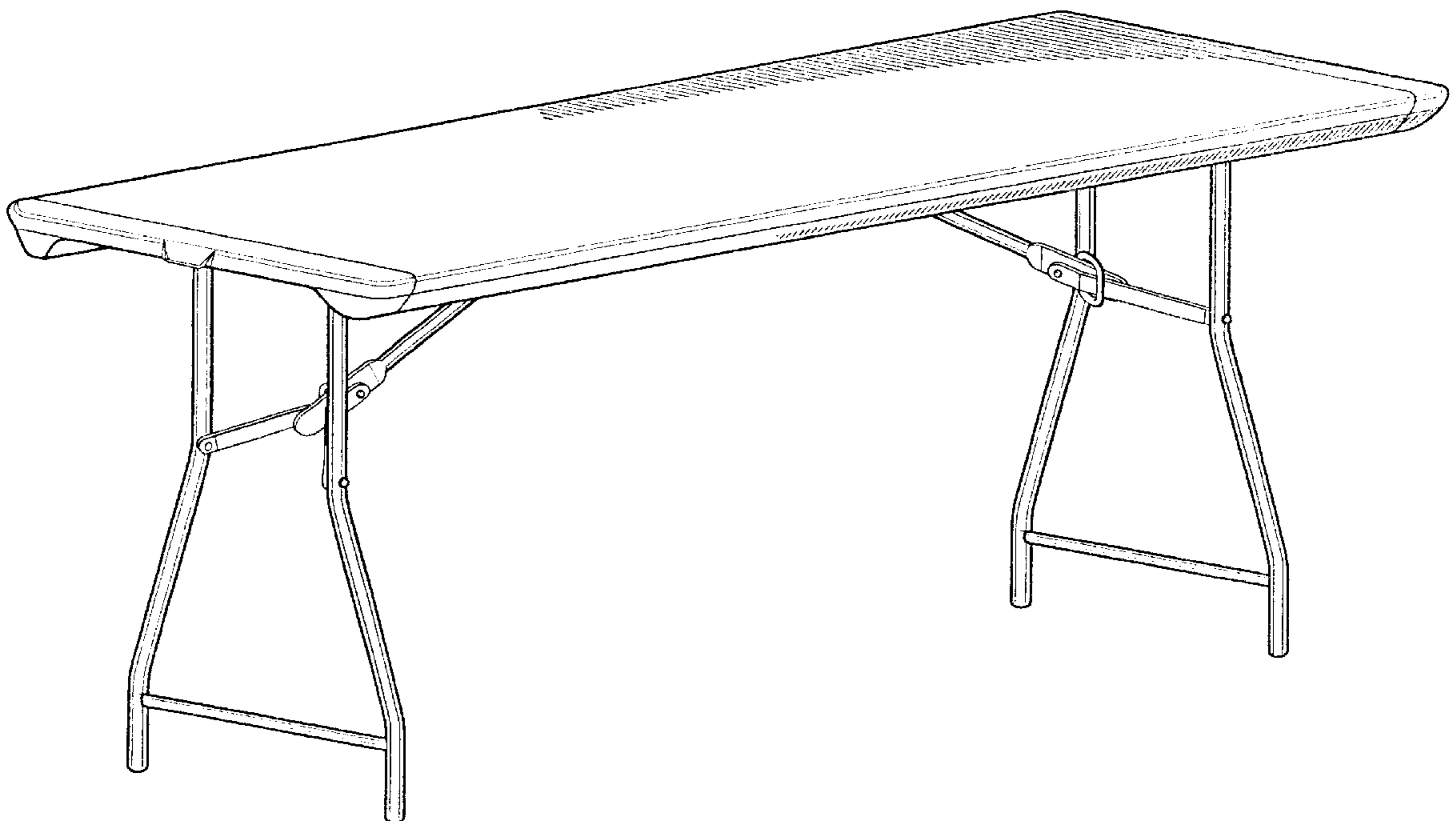
(57) **CLAIM**

The ornamental design for foldable table, as shown and described.

DESCRIPTION

FIG. 1 is a perspective top view (open position) of a foldable table showing my design;
FIG. 2 is a perspective bottom view (open position) thereof;
FIG. 3 is a front view (open position) thereof;
FIG. 4 is a left side view (open position) thereof;
FIG. 5 is a right side view (open position) thereof;
FIG. 6 is a bottom view (open position) thereof;
FIG. 7 is a top view thereof;
FIG. 8 is a perspective top view (closed position) thereof;
FIG. 9 is a perspective bottom view (closed position) thereof;
FIG. 10 is a front view (closed position) thereof;
FIG. 11 is a bottom view (closed position) thereof; and,
FIG. 12 is a side view (closed position) thereof taken from the right side of FIG. 1.

1 Claim, 8 Drawing Sheets



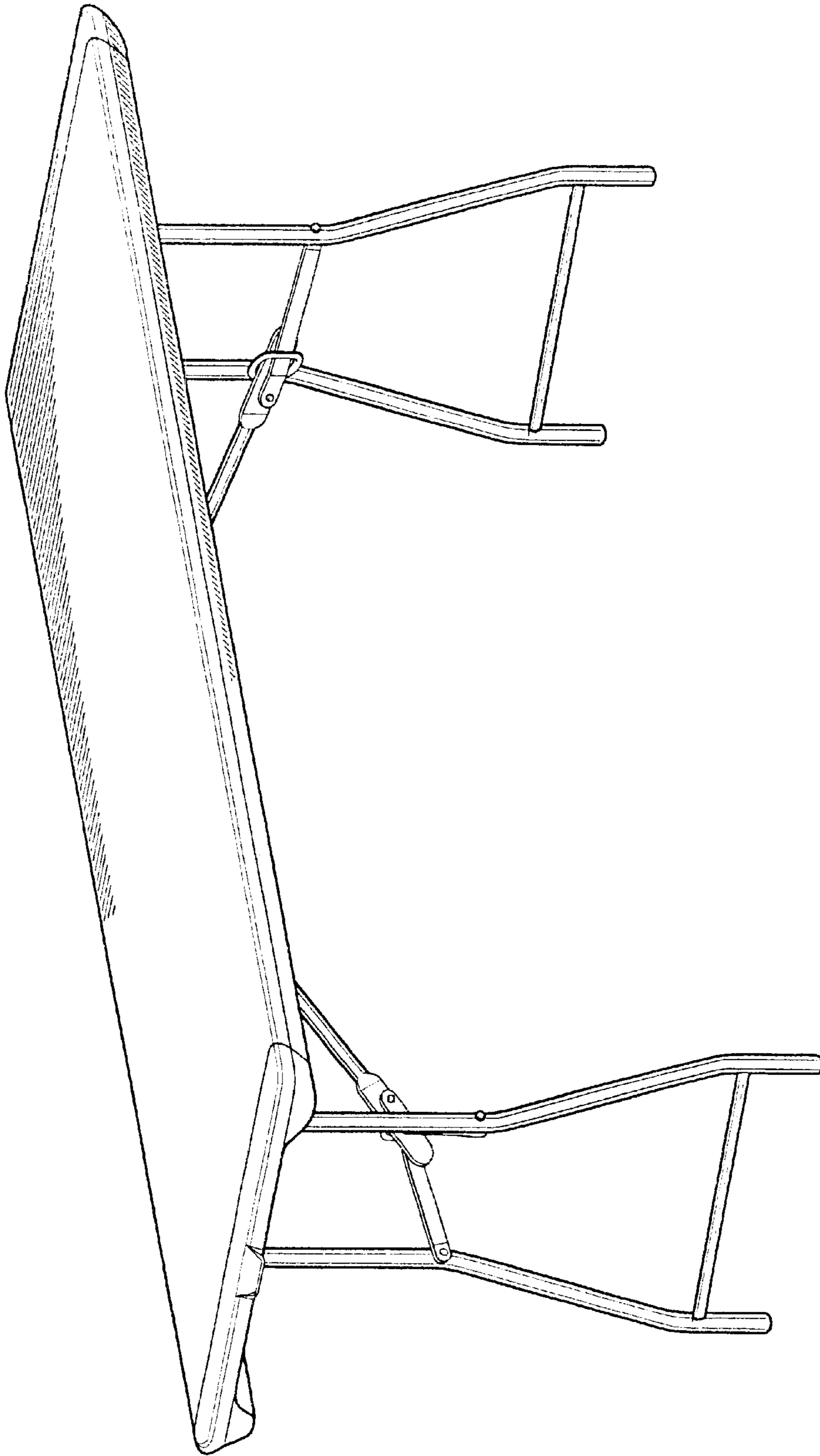


Fig. 1

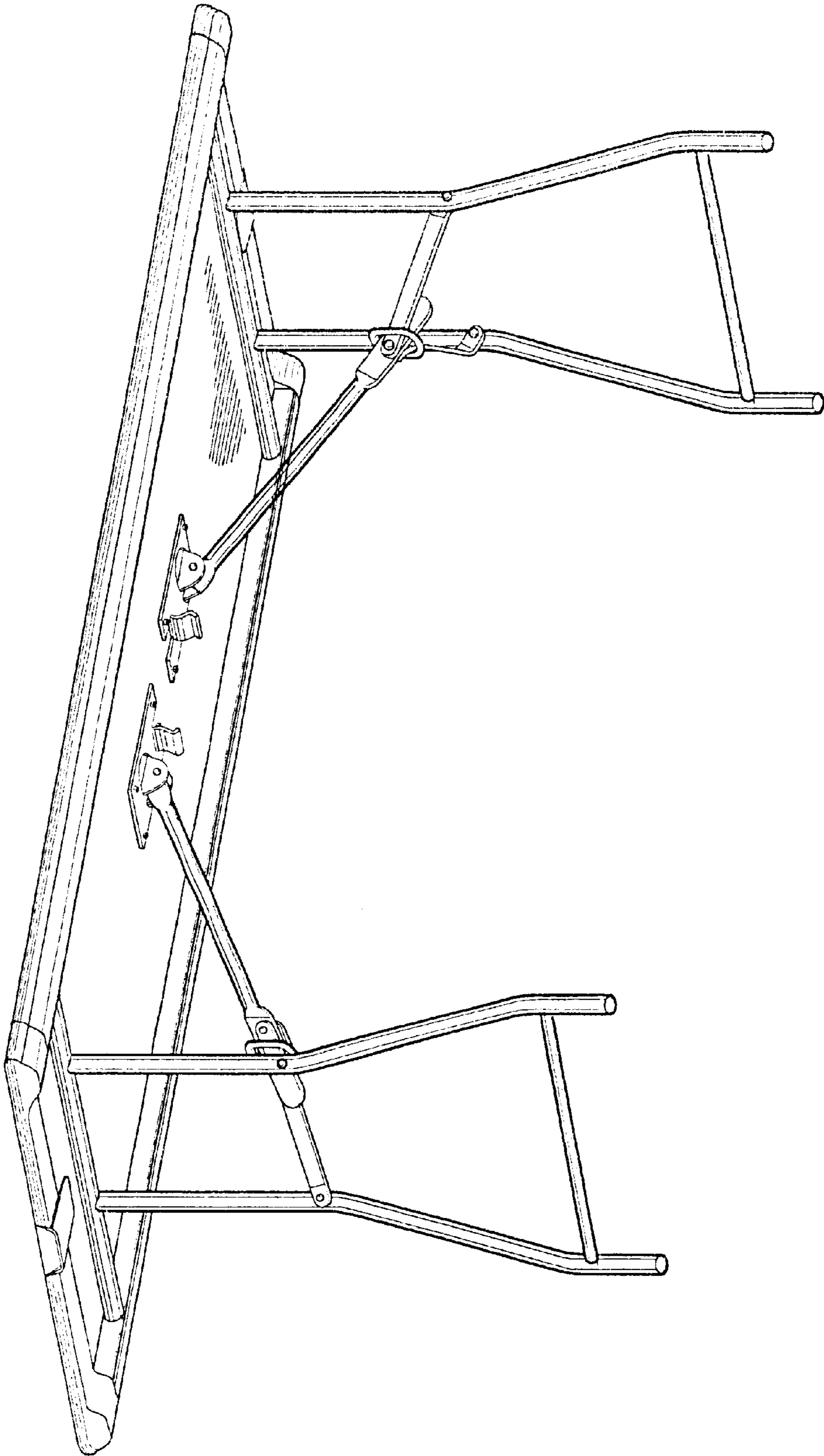


Fig. 2

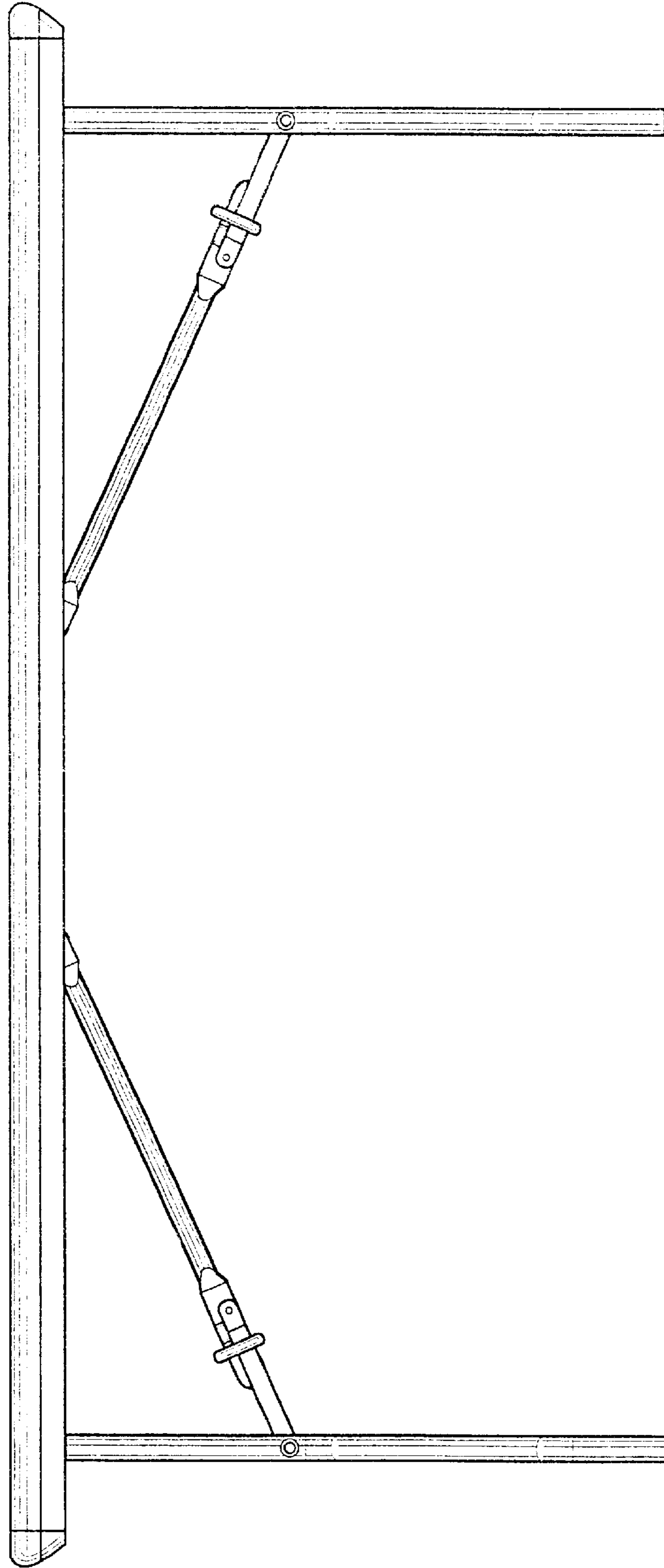


Fig. 3

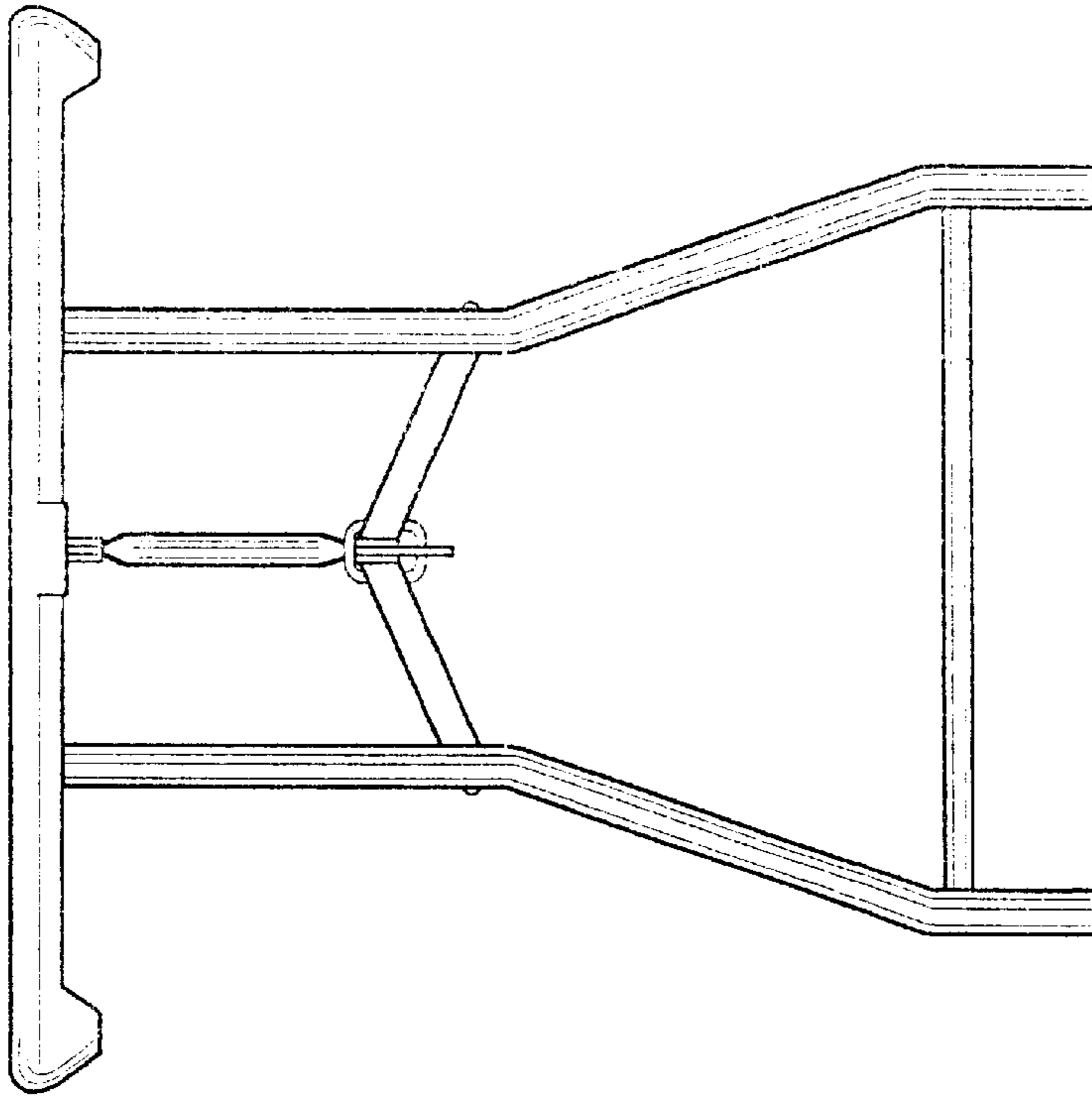


Fig. 5

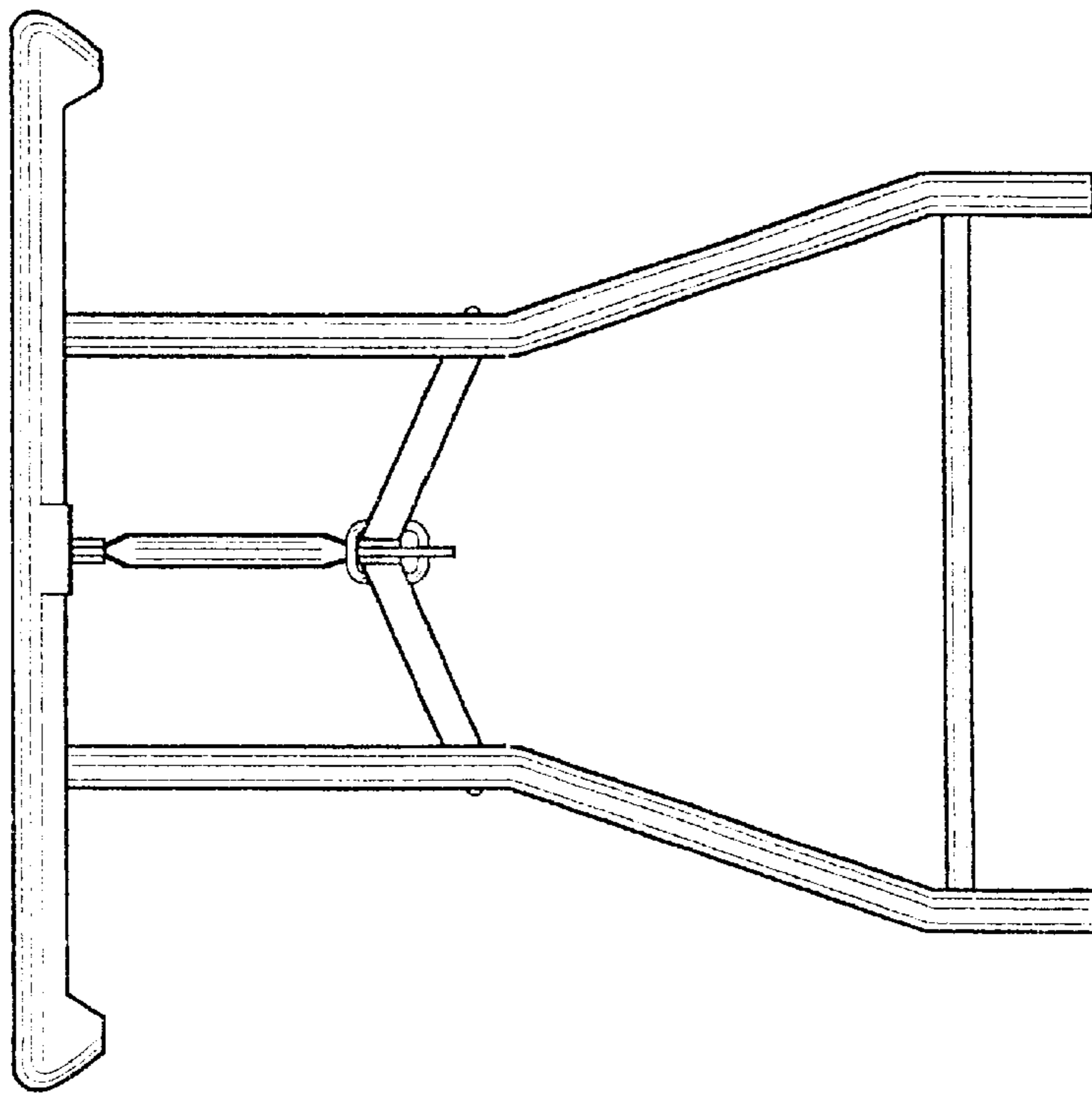


Fig. 4

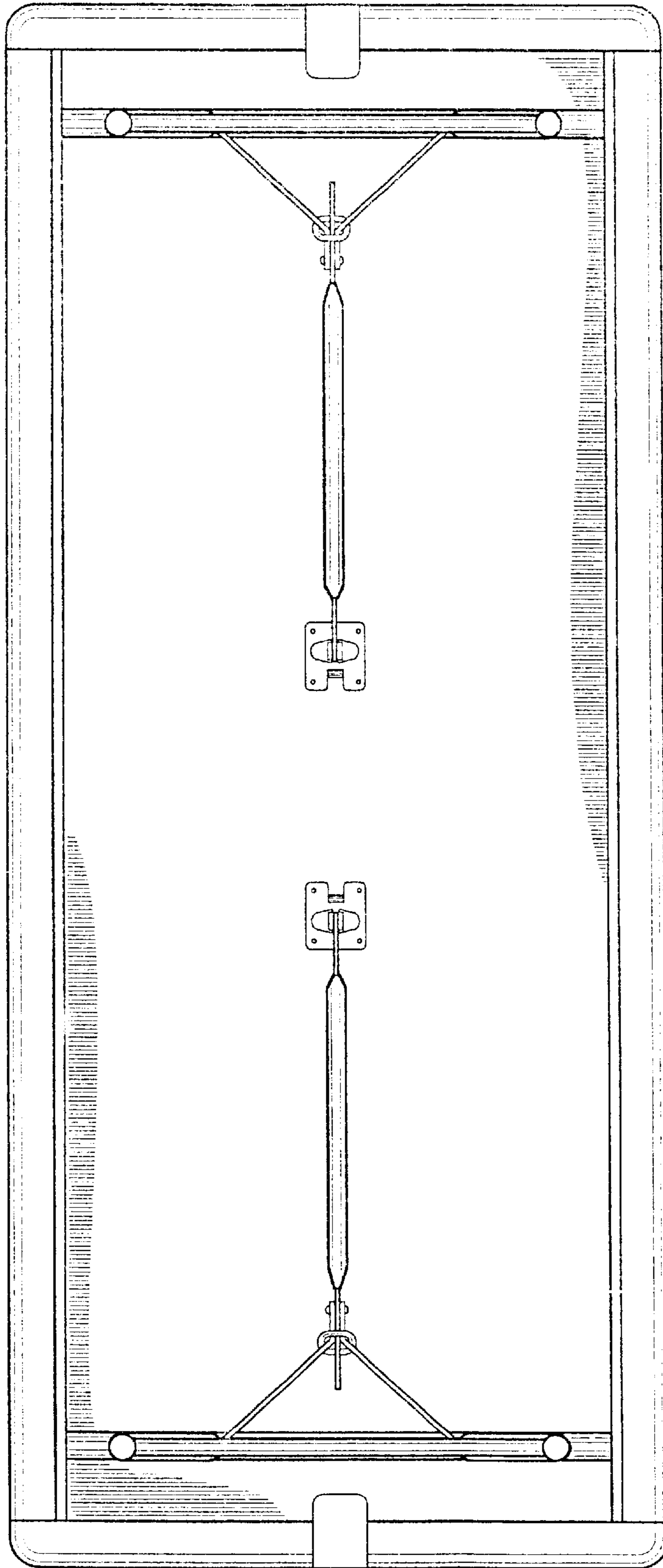


Fig. 6

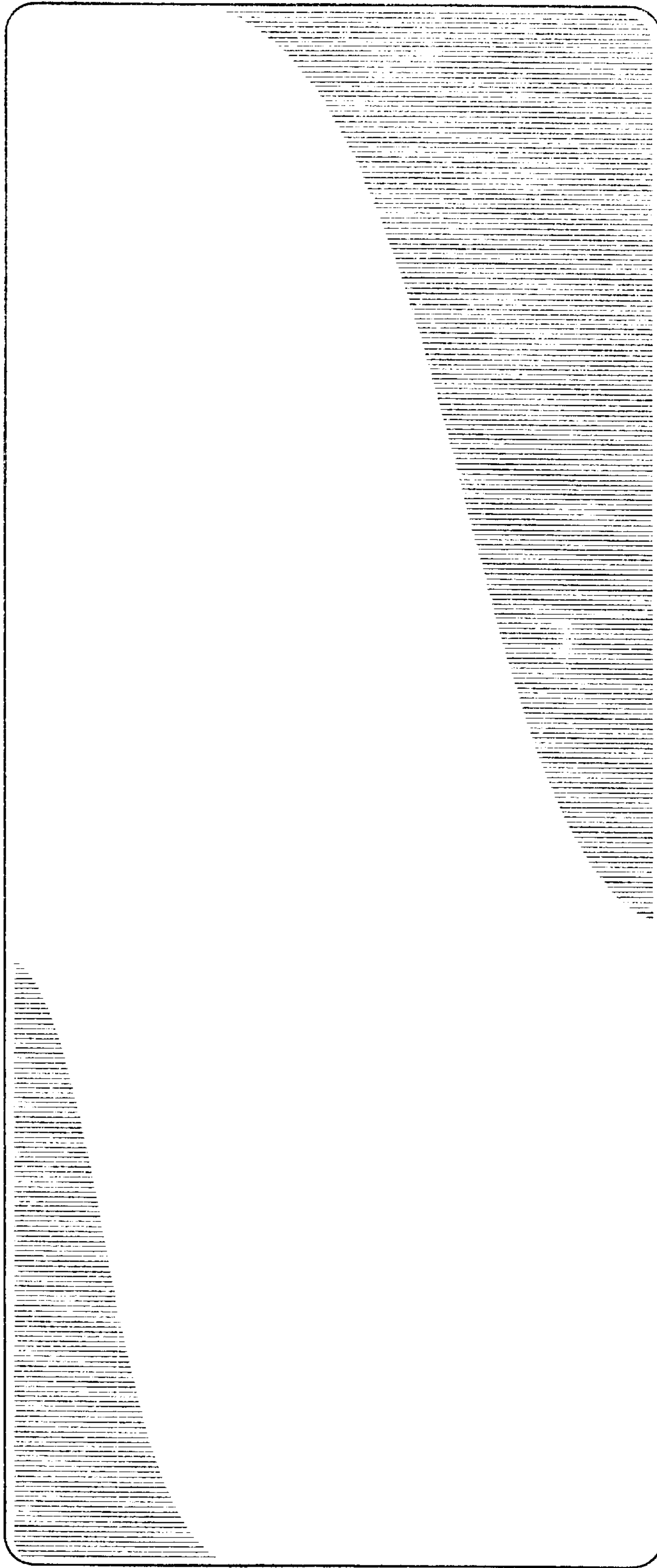


Fig. 7

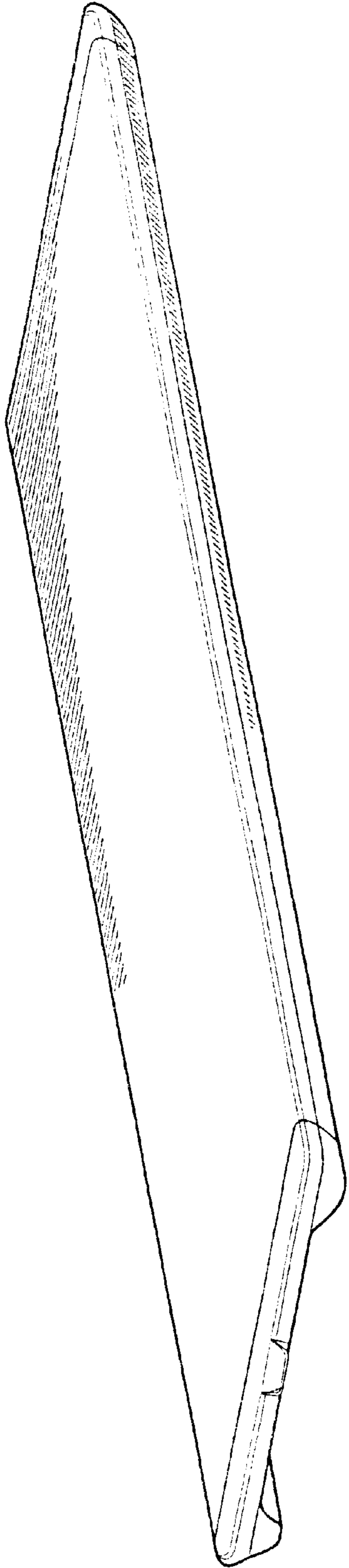


Fig. 8

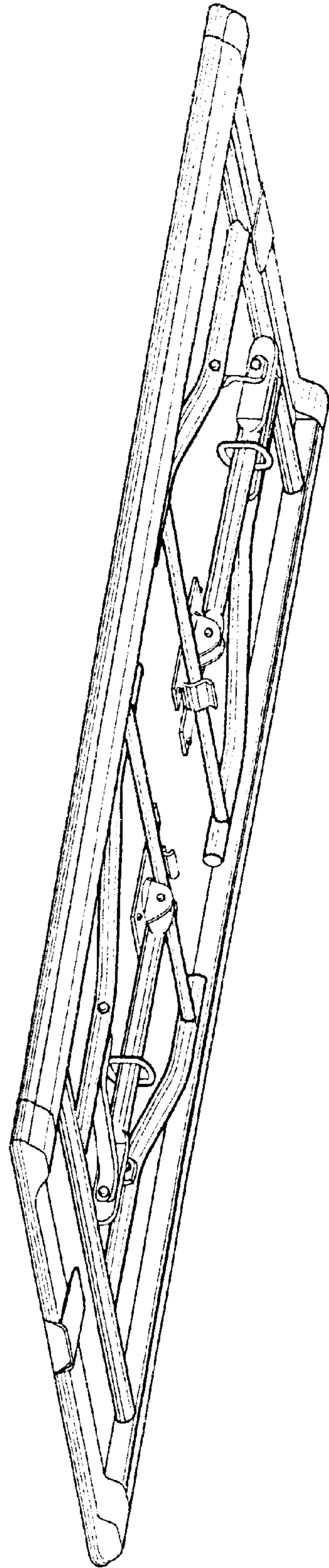


Fig. 9

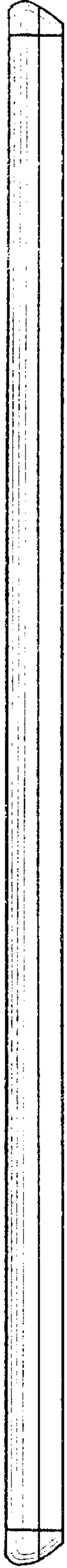


Fig. 10

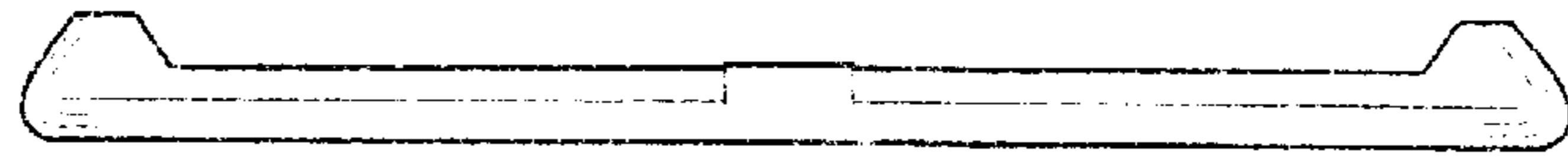


Fig. 12

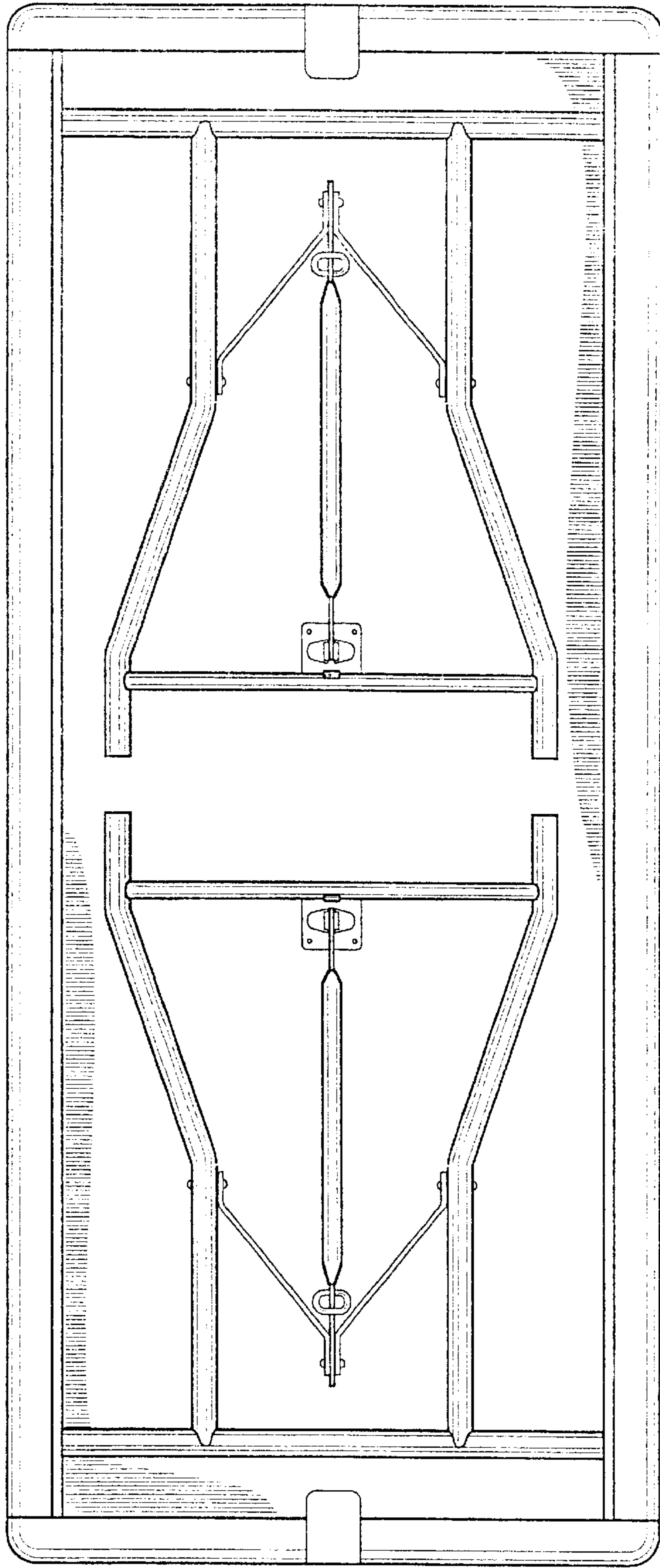


Fig. 11