



US00D469265S

(12) **United States Design Patent**
Holbrook et al.

(10) **Patent No.:** **US D469,265 S**
(45) **Date of Patent:** **** Jan. 28, 2003**

(54) **CHAIR**
(75) Inventors: **Richard M. Holbrook**, Altadena, CA (US); **Darren M. Mark**, Valencia, CA (US)
(73) Assignee: **Virco Mgmt. Corporation**, Torrance, CA (US)
(**) Term: **14 Years**
(21) Appl. No.: **29/143,565**
(22) Filed: **Jun. 15, 2001**
(51) **LOC (7) Cl.** **06-01**
(52) **U.S. Cl.** **D6/366**
(58) **Field of Search** D6/334, 364, 365, D6/366, 367, 374, 500, 501, 502; 297/411.2, 411.28

4,943,115 A 7/1990 Stucki
4,979,778 A 12/1990 Shields
D315,998 S 4/1991 Edwards
5,026,117 A 6/1991 Faiks et al.
5,029,940 A 7/1991 Golynsky et al.
5,042,876 A 8/1991 Faiks
5,106,157 A 4/1992 Nagelkirk et al.
D326,369 S * 5/1992 Buchacz D6/366
D326,577 S 6/1992 Edwards
5,160,184 A 11/1992 Faiks et al.
5,192,114 A 3/1993 Hollington et al.
5,203,853 A 4/1993 Caruso
5,207,479 A 5/1993 Wickman et al.
5,320,410 A 6/1994 Faiks et al.
D369,689 S * 5/1996 Locher D6/366
5,567,012 A 10/1996 Knoblock
5,577,807 A 11/1996 Hodge et al.
5,630,647 A 5/1997 Heidmann et al.
D383,322 S * 9/1997 Dammermann et al. D6/366

(List continued on next page.)

(56) **References Cited**
U.S. PATENT DOCUMENTS

D260,216 S 8/1981 Buhk
D266,722 S 11/1982 Stephens
D273,918 S 5/1984 Keeler
D275,060 S 8/1984 Buhk
D275,720 S 10/1984 Buhk
D277,144 S * 1/1985 Murry D6/366
D288,747 S * 3/1987 Schultz D6/366
D289,120 S 4/1987 Chadwick et al.
D295,347 S 4/1988 Chadwick et al.
D295,588 S * 5/1988 Heitlinger et al. D6/374 X
D296,394 S 6/1988 Chadwick et al.
4,752,101 A 6/1988 Yurchenco et al.
D296,623 S 7/1988 Chadwick et al.
D299,192 S 1/1989 Chadwick et al.
4,796,950 A 1/1989 Mrotz, III et al.
4,818,019 A 4/1989 Mrotz, III
4,865,384 A 9/1989 Desanta
4,889,385 A 12/1989 Chadwick et al.

Primary Examiner—Gary D. Watson
(74) *Attorney, Agent, or Firm*—Denton L. Anderson; Sheldon & Mak

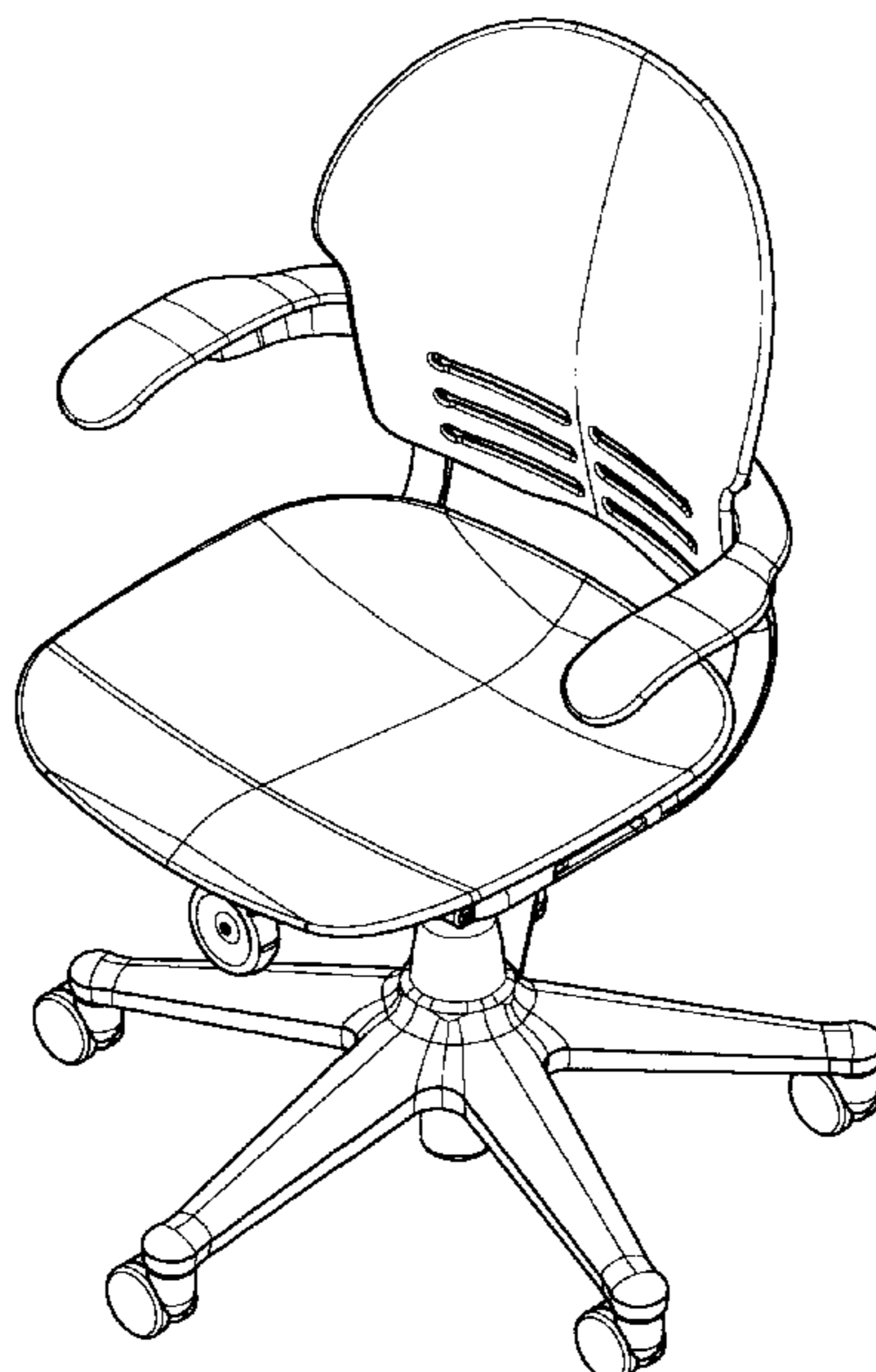
(57) **CLAIM**

The ornamental design for a chair, as shown and described.

DESCRIPTION

FIG. 1 is an isometric view showing the front side of a chair having features of the invention;
FIG. 2 is a isometric view of the chair illustrated in FIG. 1, showing the rear side of the chair;
FIG. 3 is a view of the left side of the chair illustrated in FIG. 1, the right side of the chair being a mirror image thereof with the exception of the adjustment lever;
FIG. 4 is a front view of the chair illustrated in FIG. 1; and,
FIG. 5 is a rear view of the chair illustrated in FIG. 1.

1 Claim, 3 Drawing Sheets



US D469,265 S

Page 2

U.S. PATENT DOCUMENTS

5,683,139 A	11/1997	Golynsky et al.		6,015,187 A	1/2000	Roslund, Jr. et al.	
D390,385 S	* 2/1998	Dammermann et al.	D6/500	D420,538 S	* 2/2000	Arko et al.	D6/500
5,725,277 A	3/1998	Knoblock		6,027,169 A	2/2000	Roslund, Jr.	
D393,755 S	4/1998	Nemeth, Jr.		D423,241 S	* 4/2000	Magnusson et al.	D6/366
5,765,914 A	6/1998	Britain et al.		6,125,521 A	10/2000	Stumpf et al.	
5,810,439 A	9/1998	Roslund, Jr.		D437,702 S	2/2001	Koepke et al.	
D400,018 S	* 10/1998	James et al.	D6/366	D442,400 S	* 5/2001	Simons, Jr. et al.	D6/500
D408,161 S	* 4/1999	Caruso	D6/366	D445,580 S	* 7/2001	Pennington et al.	D6/366
5,909,924 A	6/1999	Roslund, Jr.		D457,739 S	* 5/2002	Pearce et al.	D6/366
D413,214 S	8/1999	Chu		D460,870 S	* 7/2002	Van De Riet et al.	D6/366
5,951,109 A	9/1999	Roslund, Jr. et al.		D461,322 S	* 8/2002	Holbrook et al.	D6/366
5,957,534 A	9/1999	Wilkerson et al.		D461,345 S	* 8/2002	Holbrook et al.	D6/366 X
5,979,984 A	11/1999	Dekraker et al.		D461,348 S	* 8/2002	Holbrook et al.	D6/500

* cited by examiner

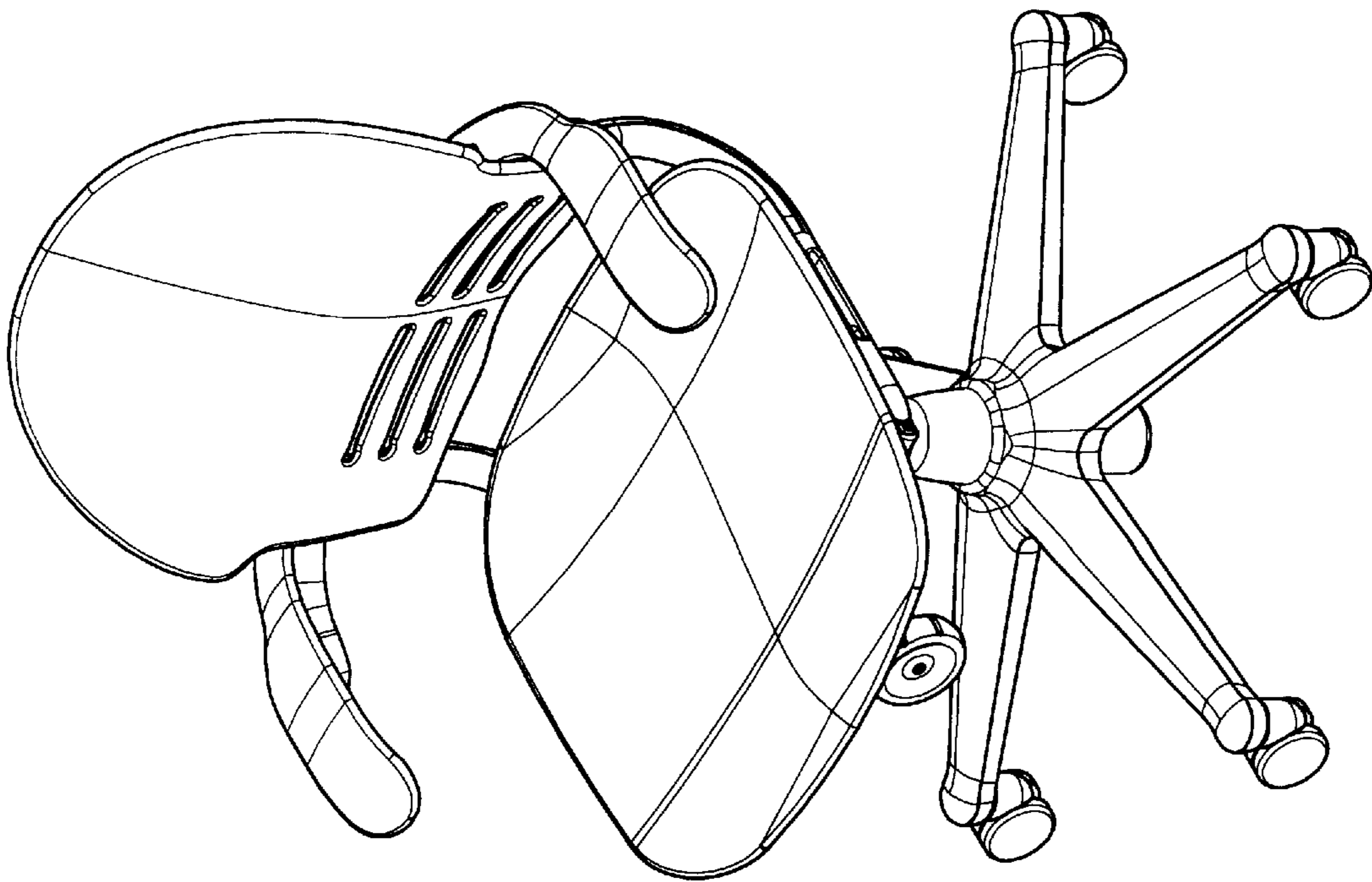


FIG. 1

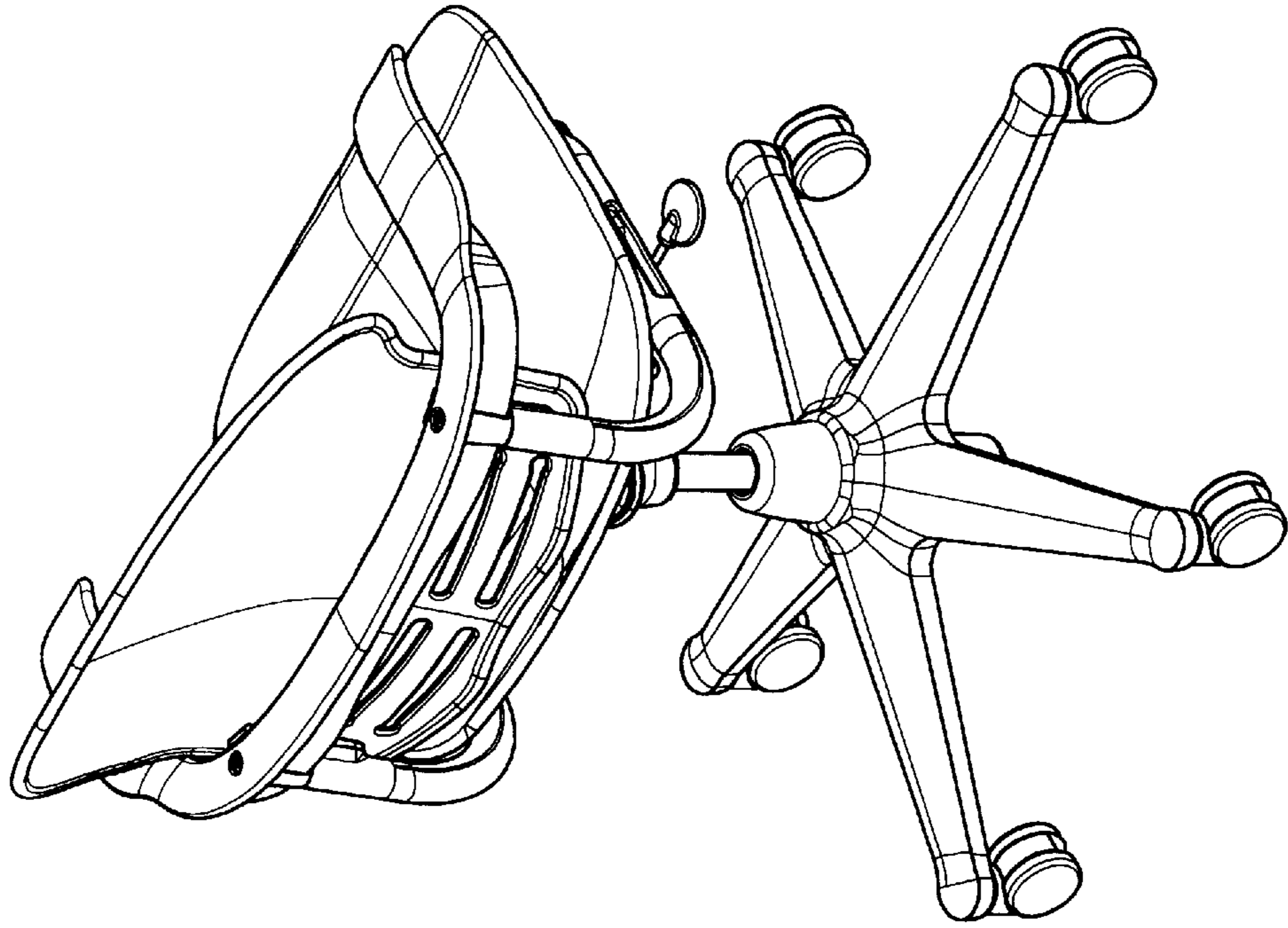


FIG. 2

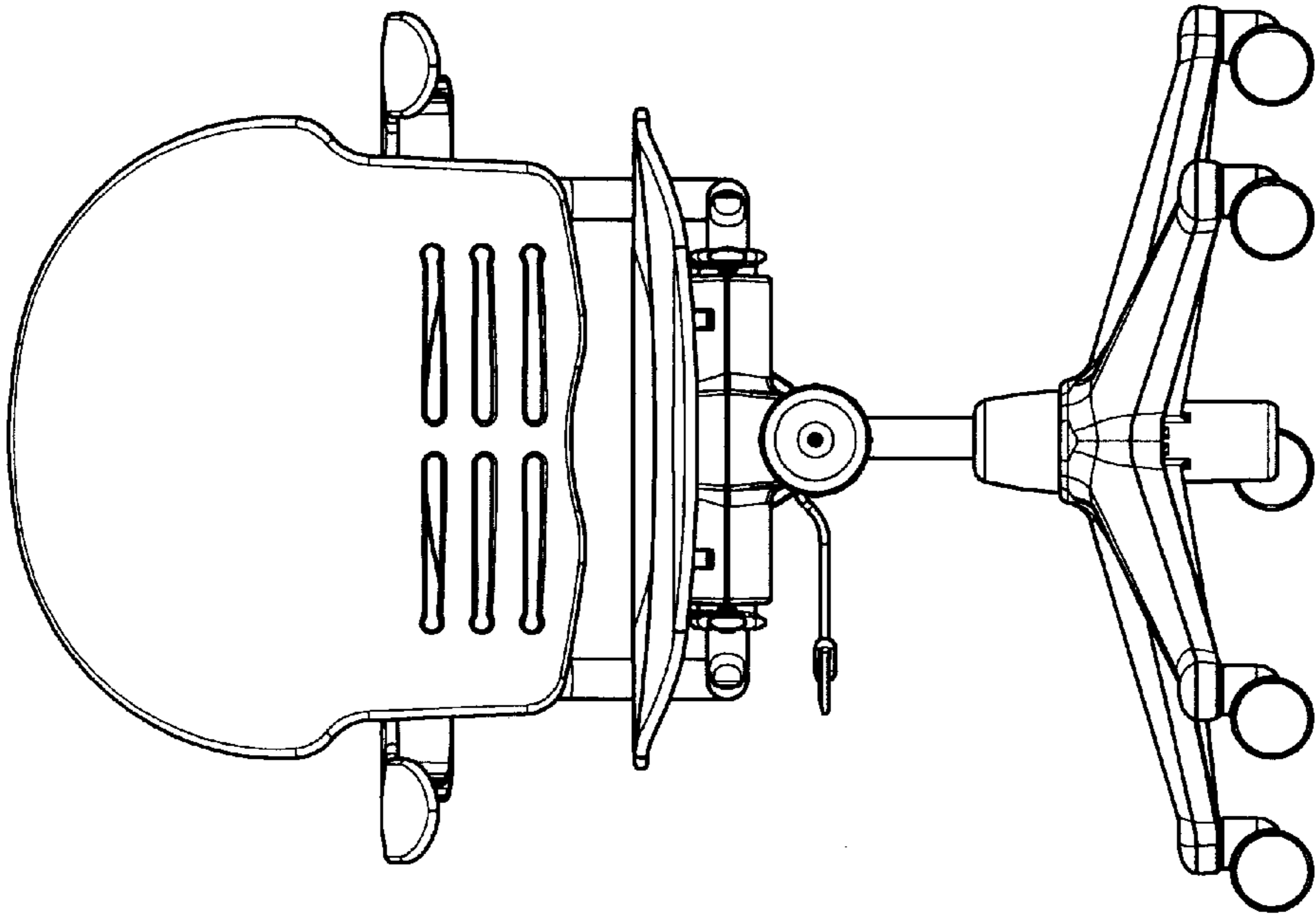


FIG. 4

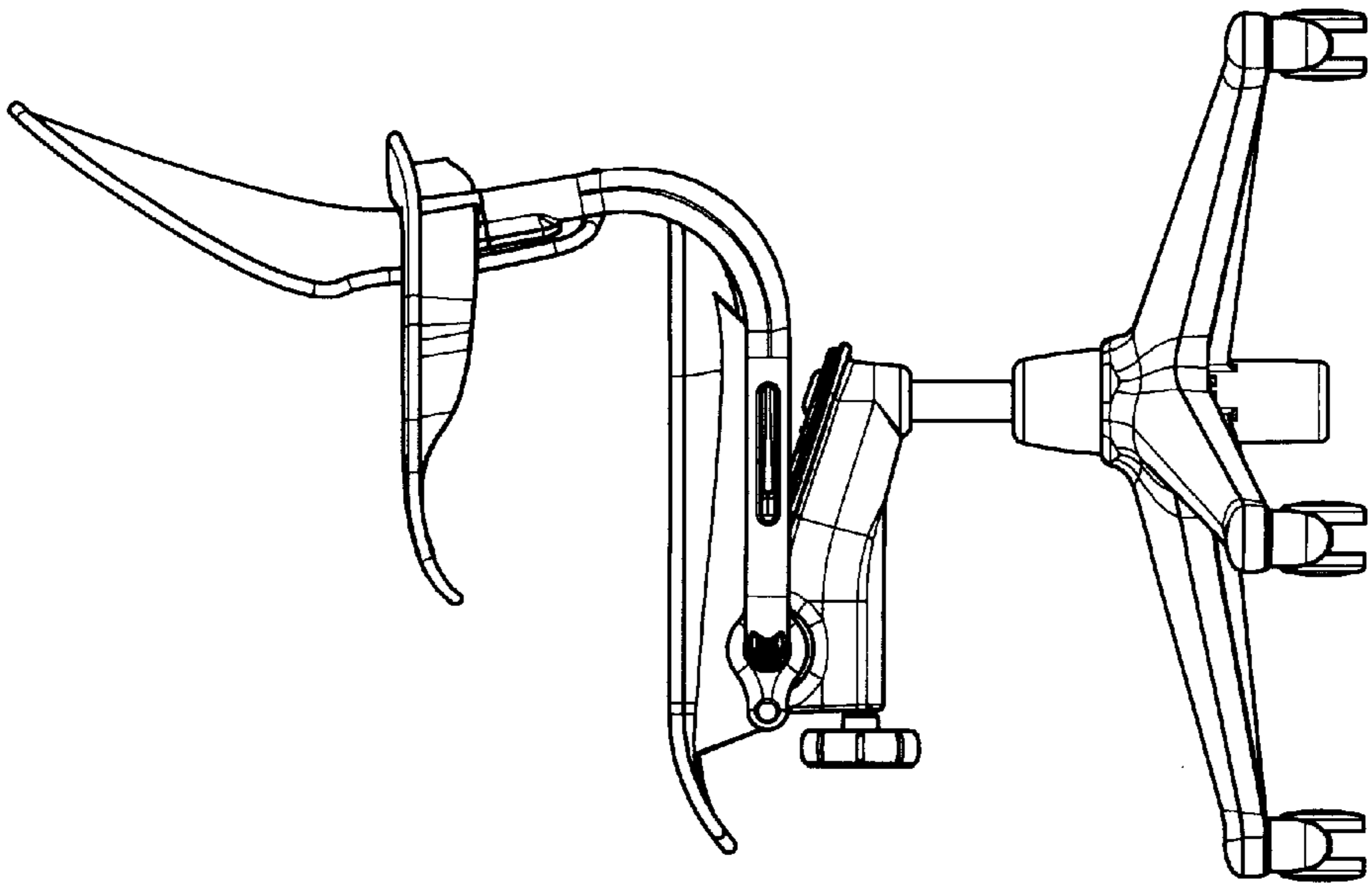


FIG. 3

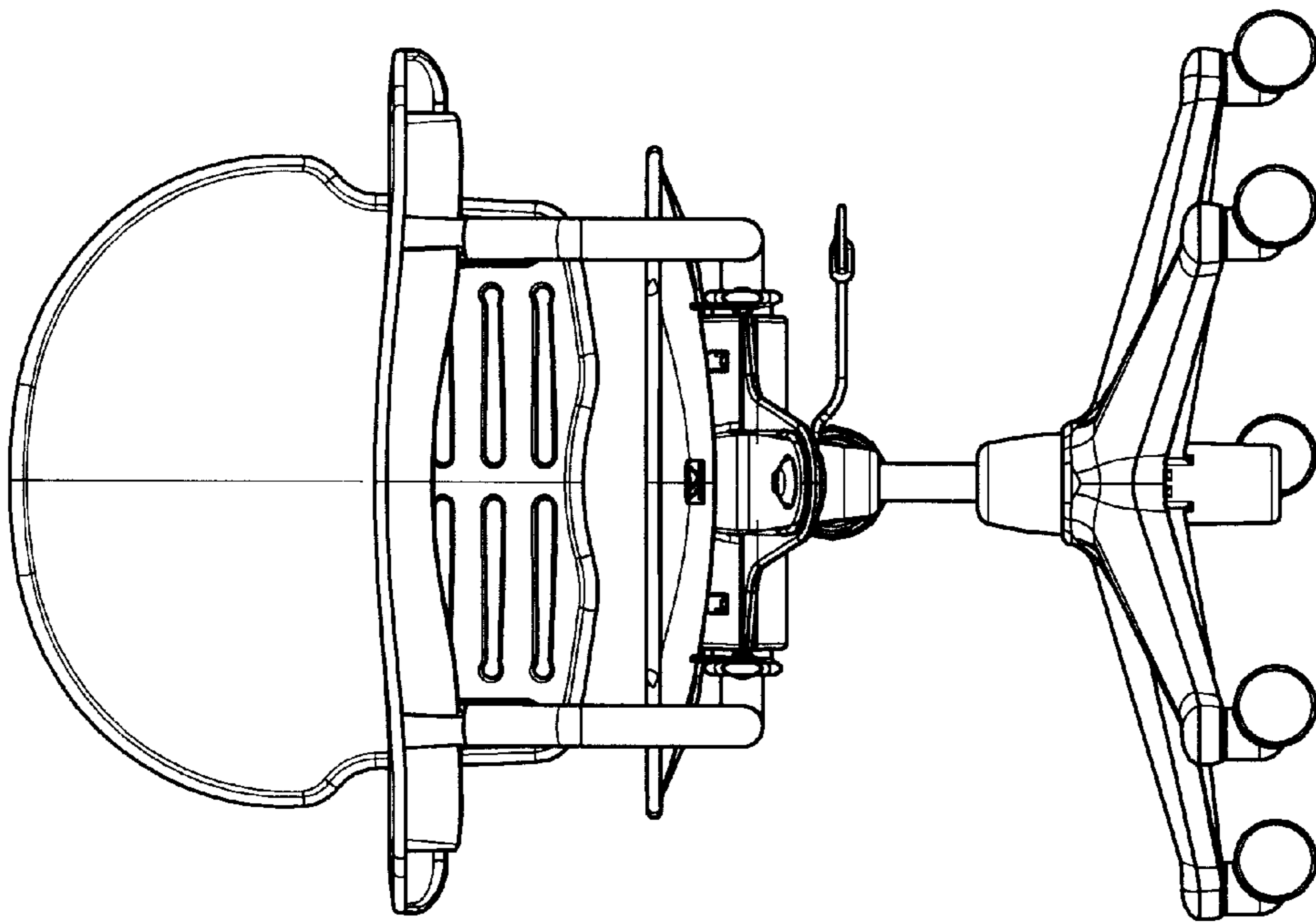


FIG. 5