



US00D469262S

(12) **United States Design Patent**  
**Umberger**

(10) **Patent No.:** **US D469,262 S**

(45) **Date of Patent:** **\*\* Jan. 28, 2003**

(54) **BELT RACK**

5,487,473 A 1/1996 Ford  
D398,160 S 9/1998 Umberger  
6,003,694 A \* 12/1999 Sharp ..... 211/85.3  
D444,954 S \* 7/2001 Umberger ..... D6/320

(76) Inventor: **Stuart W. Umberger**, 132 Lithia  
Pinecrest Rd., Brandon, FL (US) 33511

(\*\*) Term: **14 Years**

\* cited by examiner

(21) Appl. No.: **29/142,350**

*Primary Examiner*—B. J. Bullock  
(74) *Attorney, Agent, or Firm*—Frijouf, Rust & Pyle, P.A.

(22) Filed: **May 24, 2001**

(57) **CLAIM**

**Related U.S. Application Data**

The ornamental design for a belt rack, as shown and described.

(60) Continuation-in-part of application No. 29/100,829, filed on Mar. 23, 1998, now Pat. No. Des. 444,954, which is a division of application No. 29/068,981, filed on Apr. 24, 1997, now Pat. No. Des. 398,168.

**DESCRIPTION**

(51) **LOC (7) Cl.** ..... **06-08**

FIG. 1 is a perspective view of my new design for a belt rack;

(52) **U.S. Cl.** ..... **D6/320**

FIG. 2 is a front view thereof;

(58) **Field of Search** ..... D6/320, 553; 211/60.1,  
211/87.01, 96, 85.3

FIG. 3 is a rear view thereof;

FIG. 4 is a left side view thereof;

FIG. 5 is a right side view thereof;

FIG. 6 is a top view thereof;

FIG. 7 is a bottom view thereof;

FIG. 8 is a magnified view of a portion of FIG. 2;

FIG. 9 is a sectional view along line 9—9 in FIG. 8;

FIG. 10 is a sectional view along line 10—10 in FIG. 8;

FIG. 11 is an enlarged view of a portion of FIG. 2 with the belt rack supporting plural belts, the belts shown in broken lines form no part of the invention;

FIG. 12 is a rear view thereof;

FIG. 13 is a view along line 13—13 in FIG. 11; and,

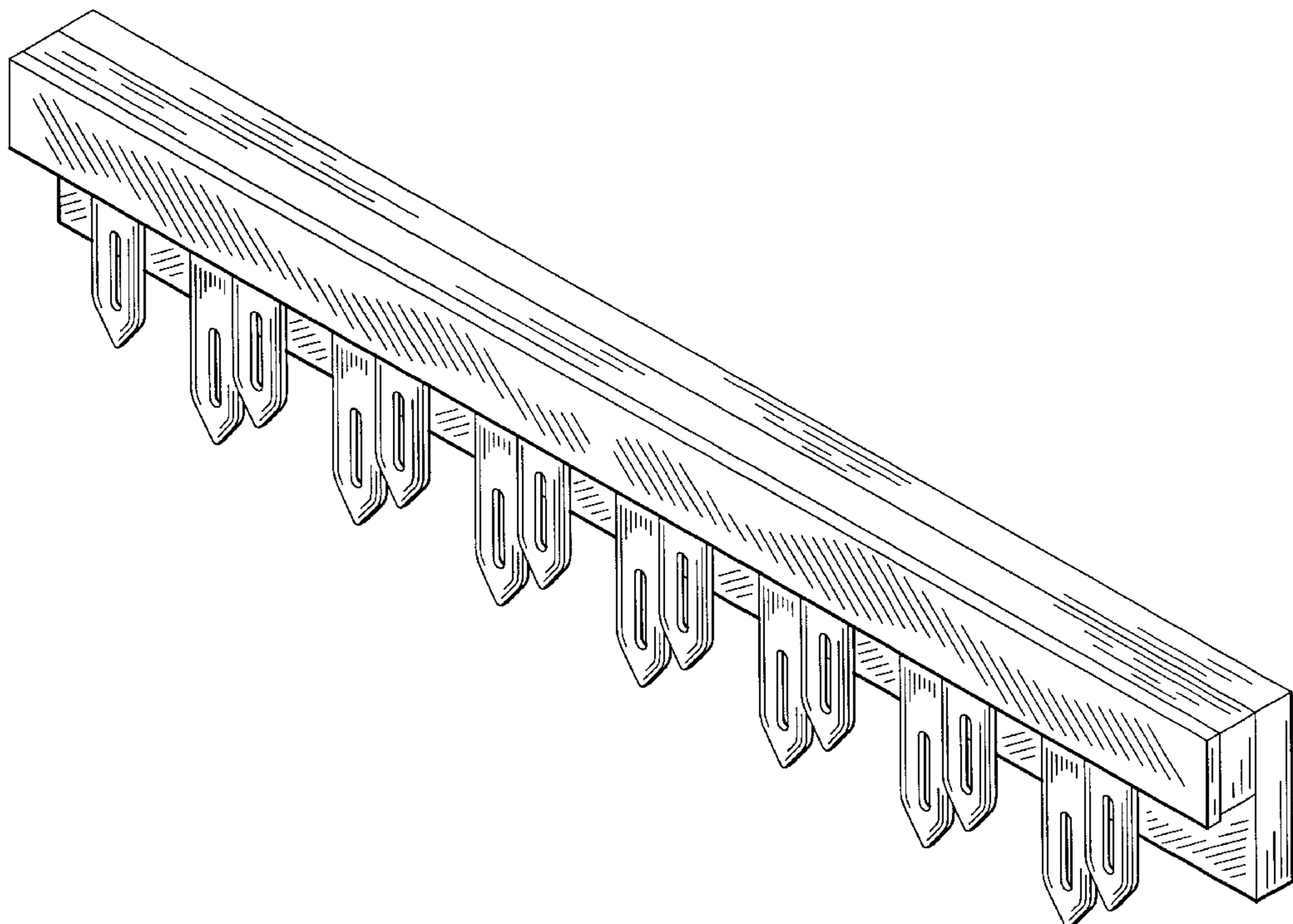
FIG. 14 is a view along line 14—14 in FIG. 11.

(56) **References Cited**

**U.S. PATENT DOCUMENTS**

|             |         |               |
|-------------|---------|---------------|
| 2,366,085 A | 12/1944 | Brothers      |
| 2,401,835 A | 6/1946  | McFall        |
| 3,710,996 A | 1/1973  | Smilow et al. |
| D244,979 S  | 7/1977  | Gitlitz       |
| 4,063,669 A | 12/1977 | Smilow et al. |
| 4,325,485 A | 4/1982  | Pina et al.   |
| 4,327,837 A | 5/1982  | Ross          |
| 4,453,655 A | 6/1984  | Smilow et al. |
| 4,629,073 A | 12/1986 | Belden        |
| 4,834,248 A | 5/1989  | Lee           |
| 5,222,638 A | 6/1993  | Kolton et al. |

**1 Claim, 6 Drawing Sheets**



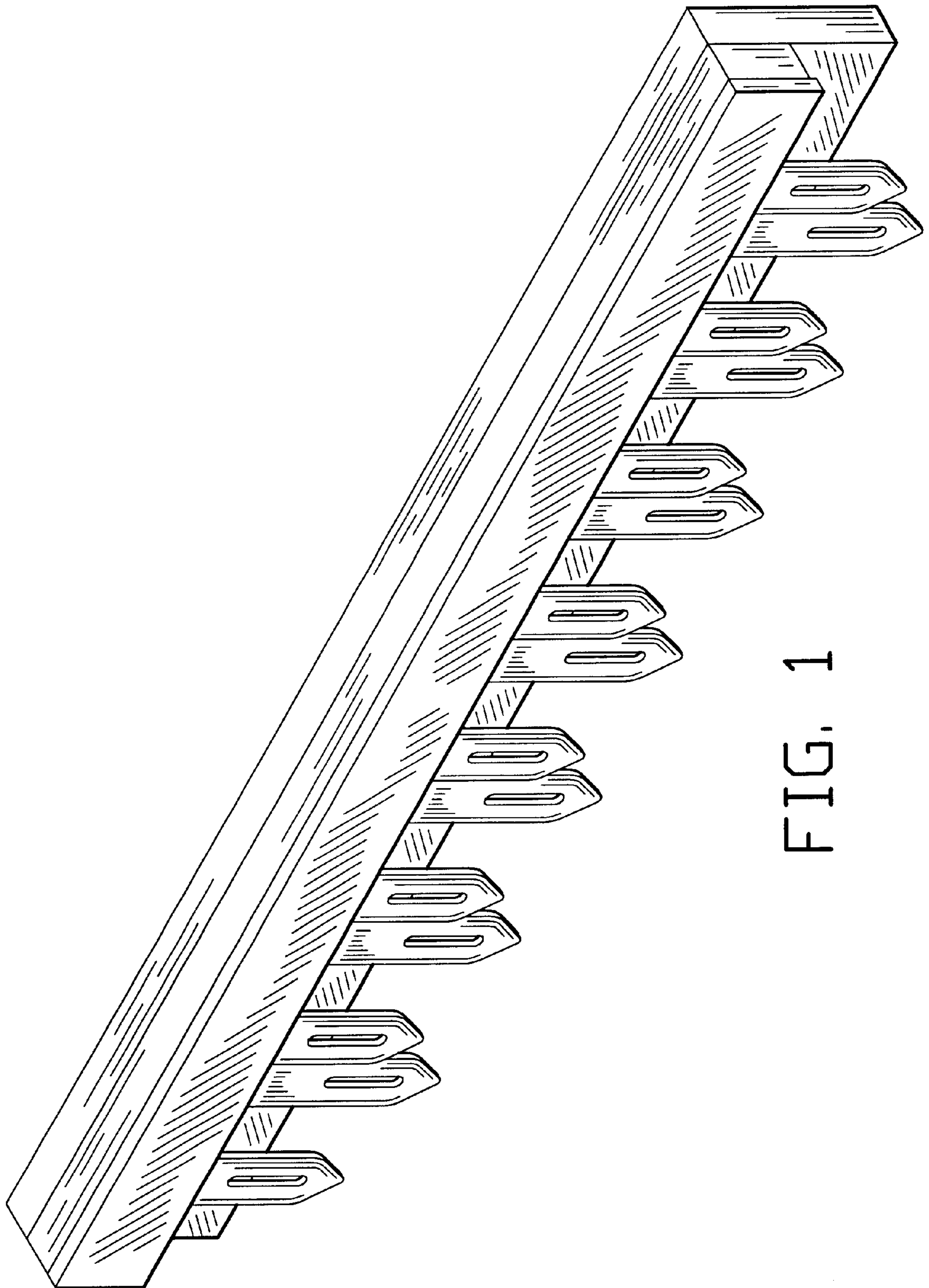


FIG. 1

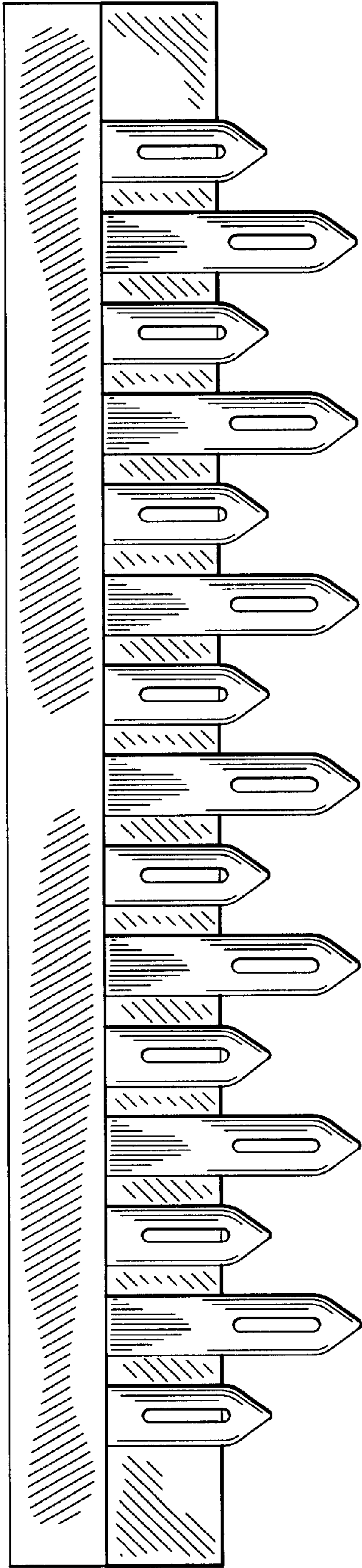


FIG. 2

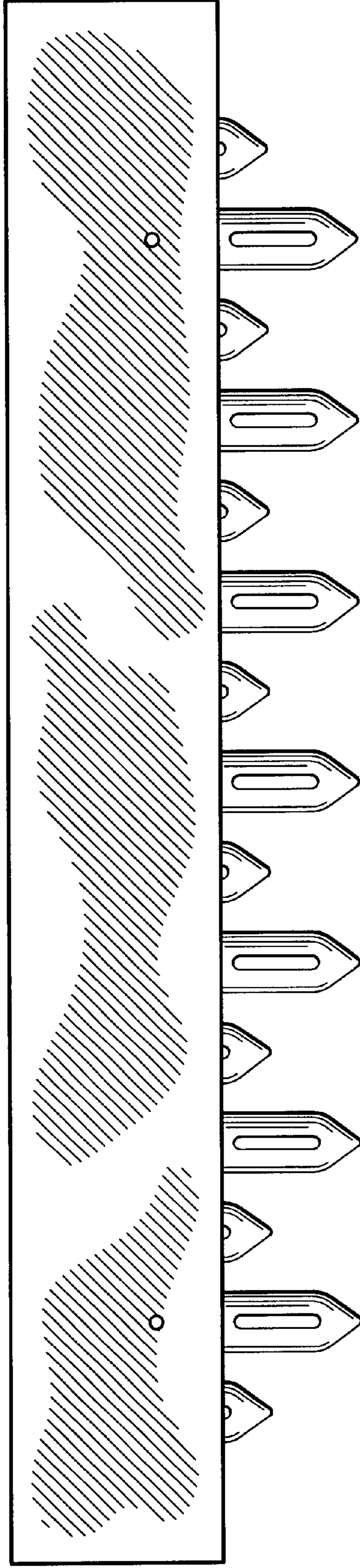


FIG. 3

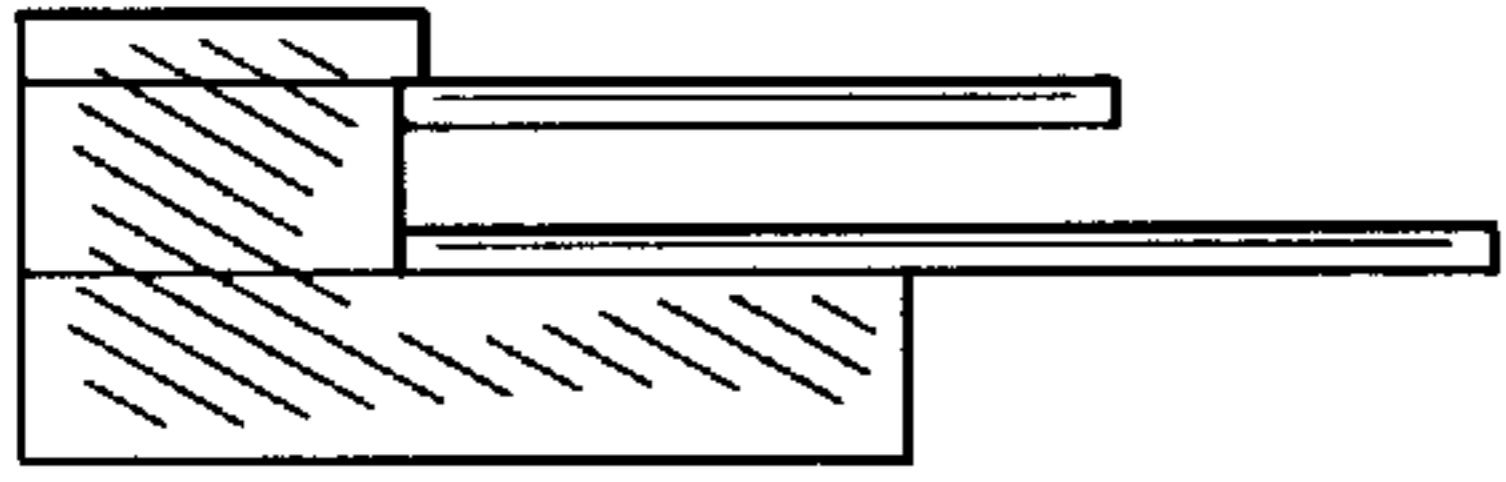


FIG. 4

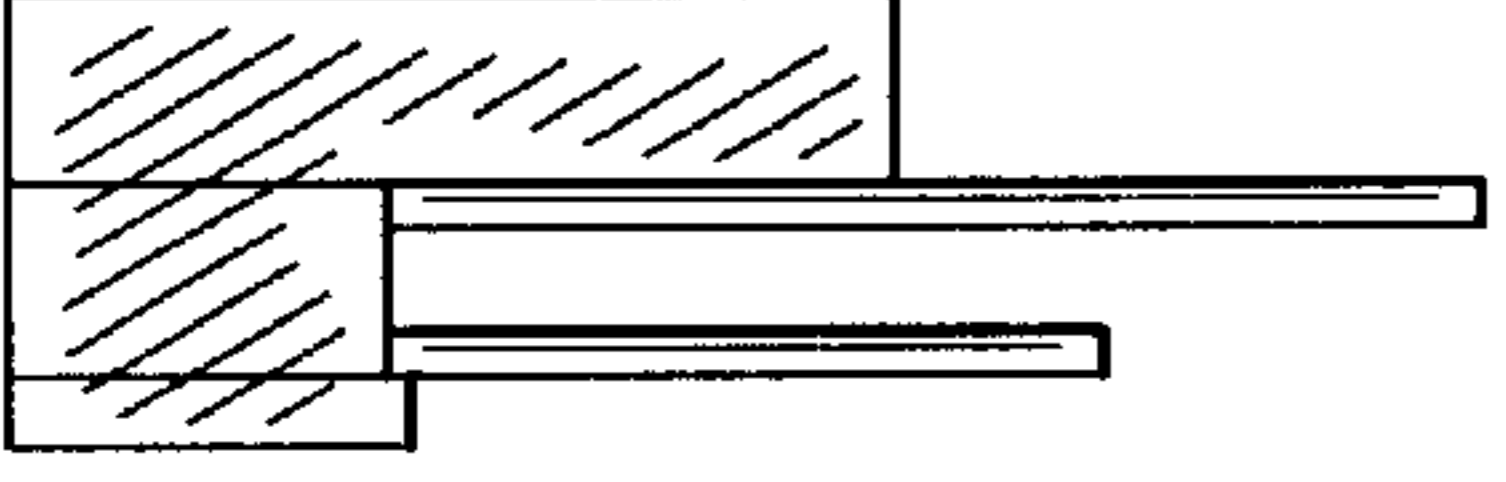


FIG. 5



FIG. 6

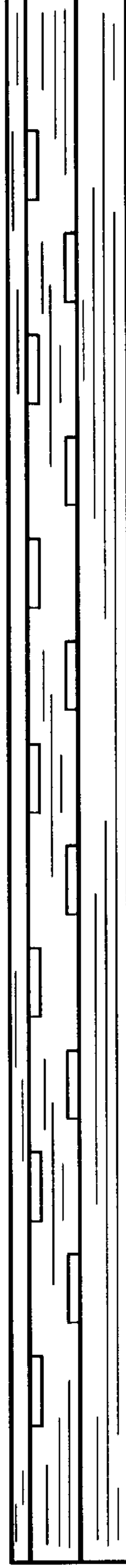


FIG. 7

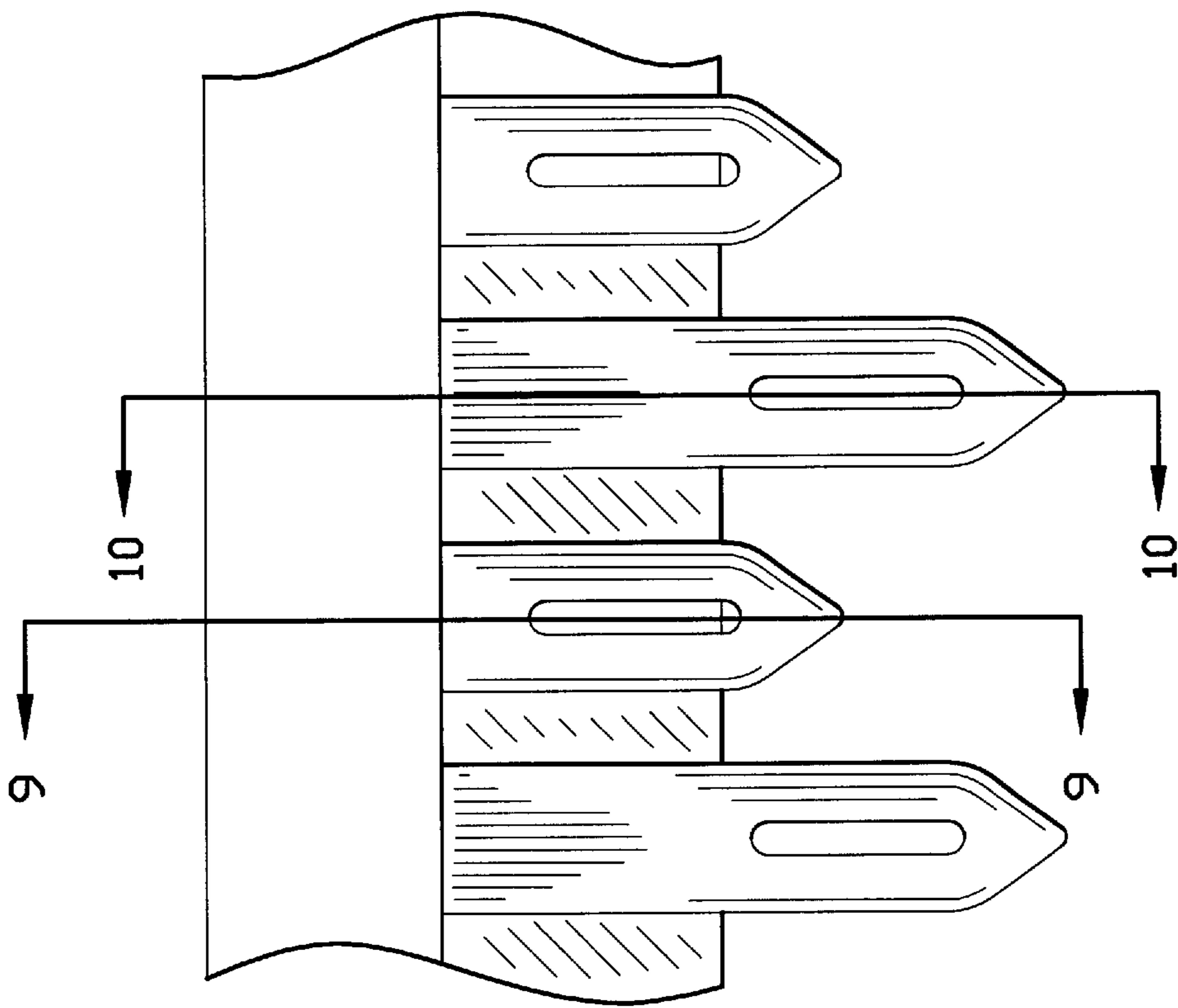


FIG. 8

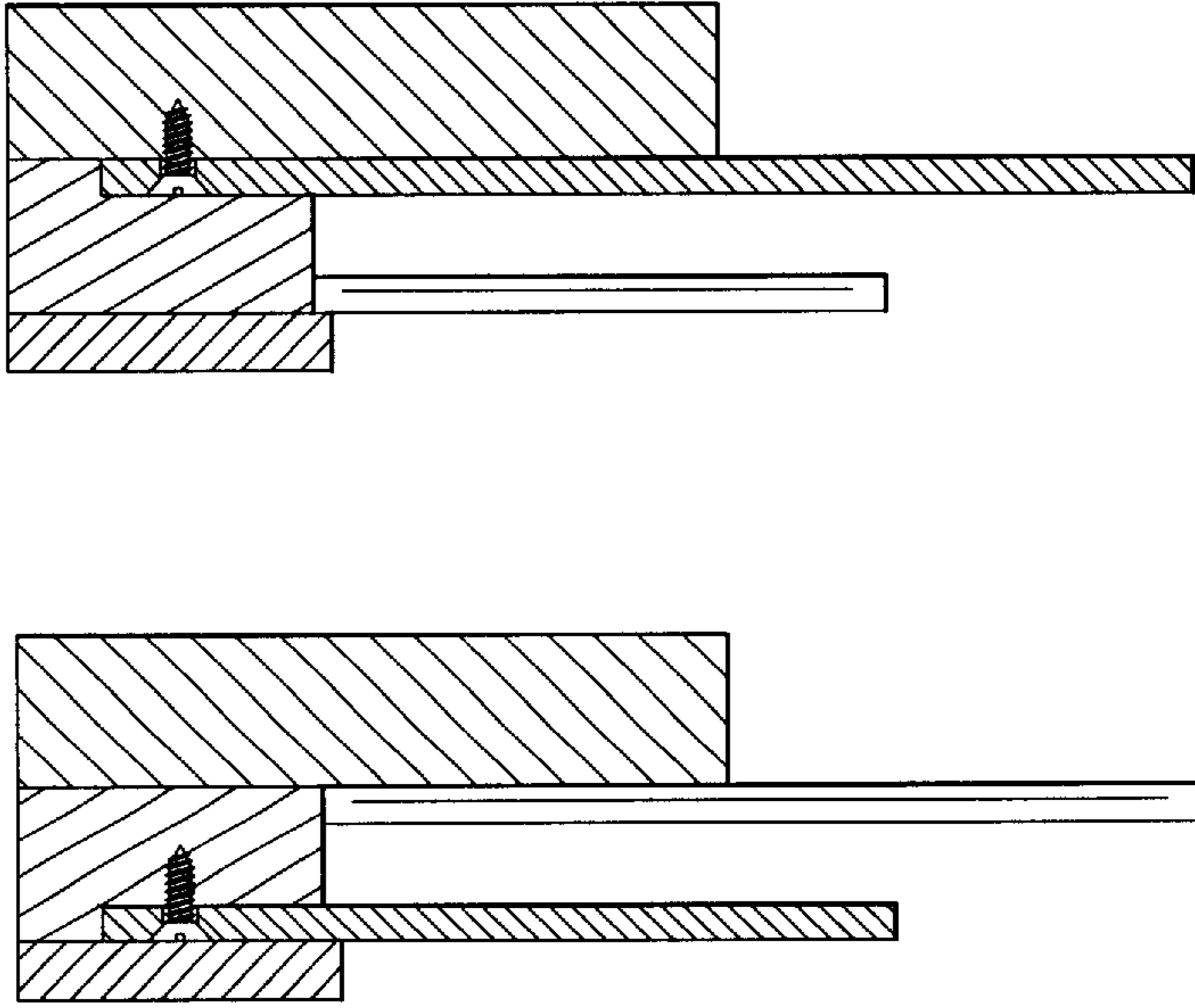


FIG. 9

FIG. 10

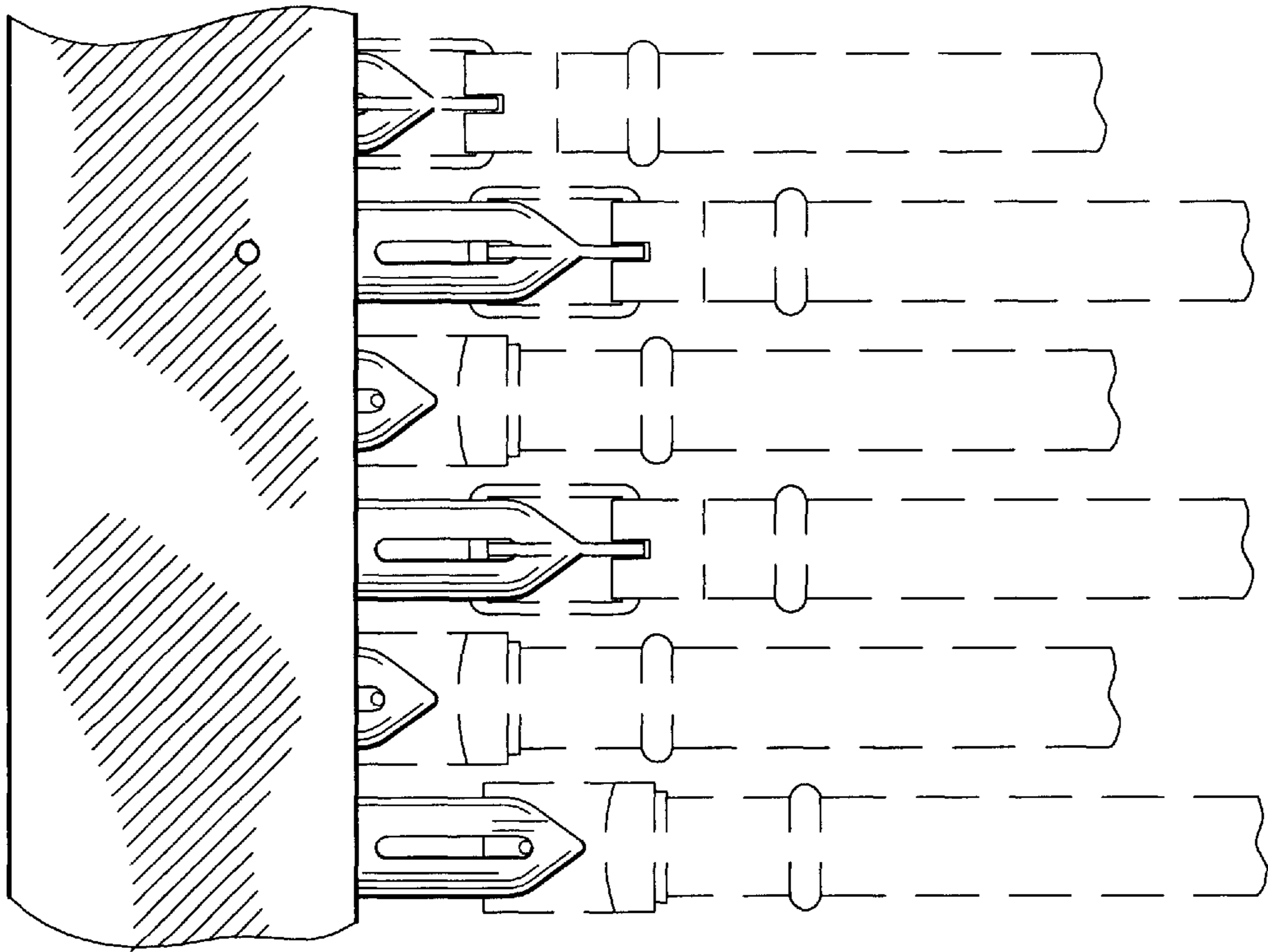


FIG. 12

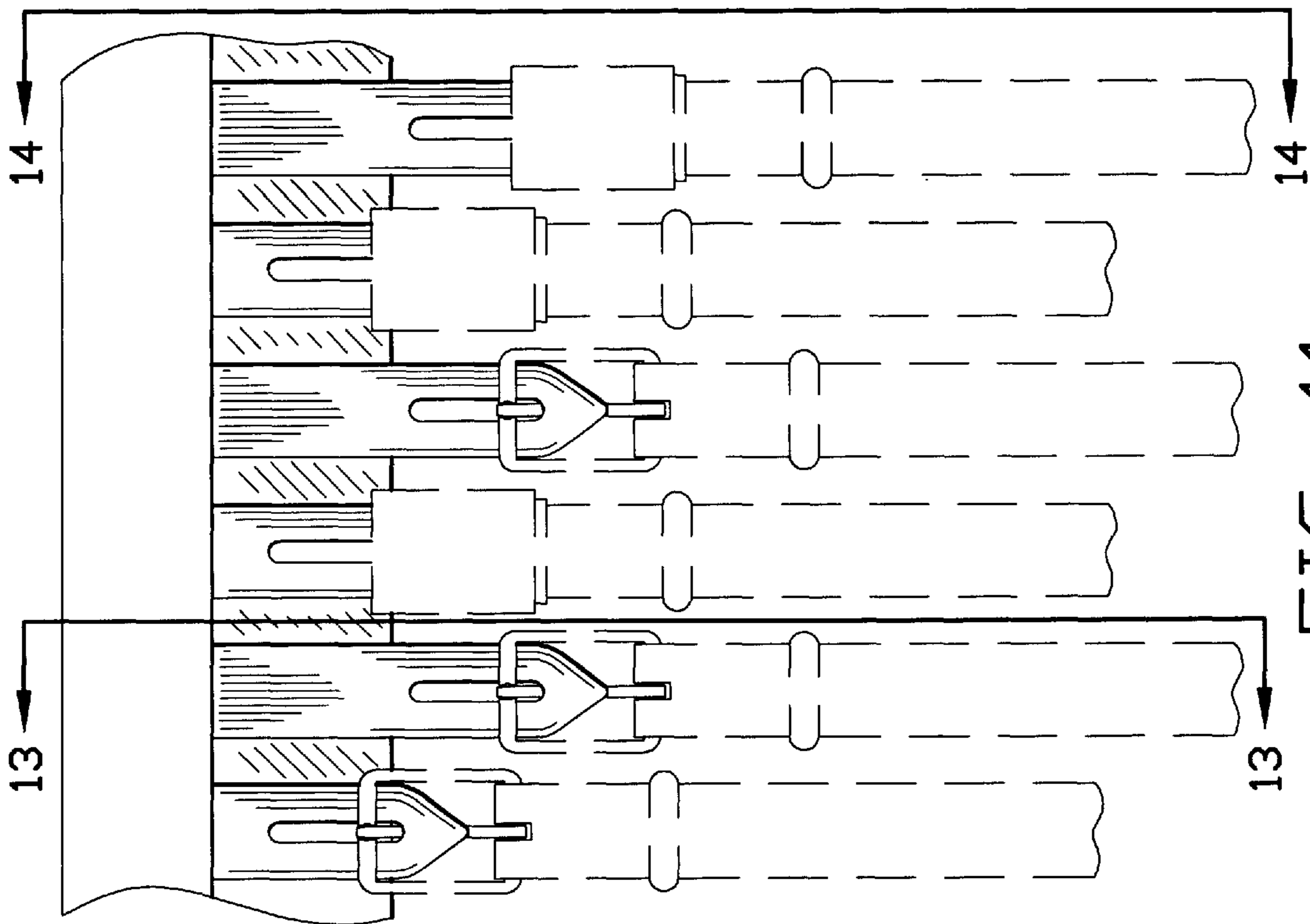


FIG. 11

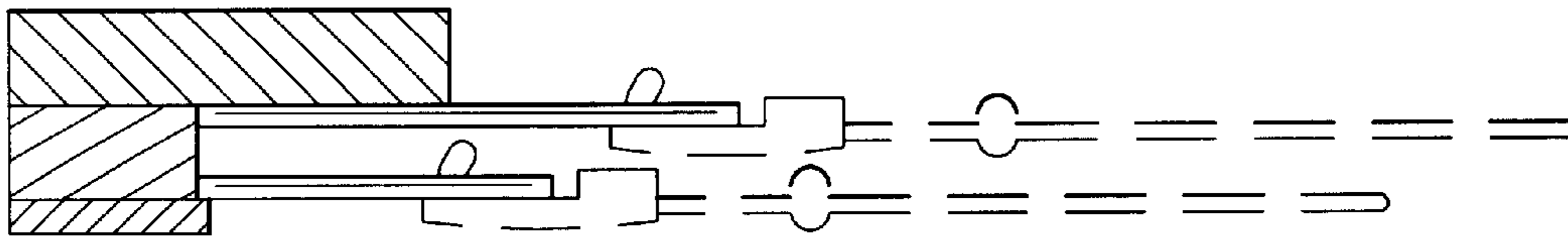


FIG. 14

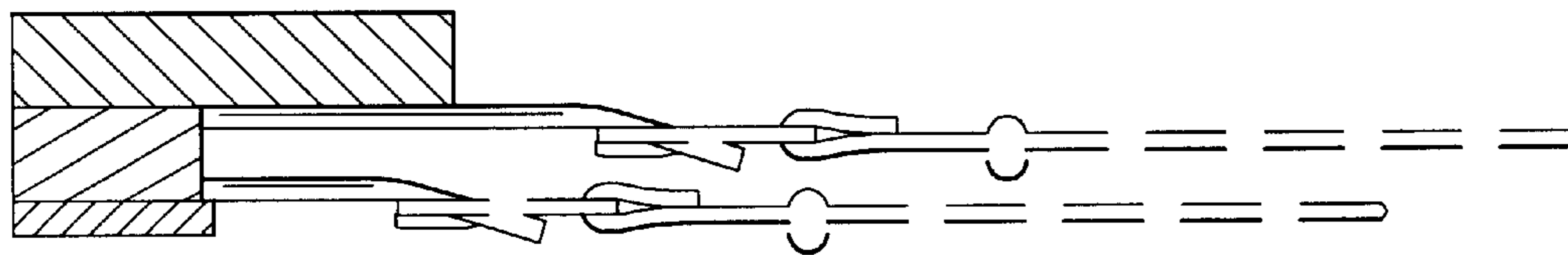


FIG. 13