



US00D469257S

(12) **United States Design Patent**  
**Cheung**

(10) **Patent No.:** **US D469,257 S**

(45) **Date of Patent:** **\*\* Jan. 28, 2003**

(54) **HAIR BRUSH WITH OVAL BODY**

(76) Inventor: **Maggie Cheung**, Block A1, 3/F, Tsing Yi Industrial Centre, Phase 1, Tsing Yi N.T. (HK)

(\* ) Notice: This patent is subject to a terminal disclaimer.

(\*\* ) Term: **14 Years**

(21) Appl. No.: **29/138,112**

(22) Filed: **Mar. 6, 2001**

(51) **LOC (7) Cl.** ..... **04-02**

(52) **U.S. Cl.** ..... **D4/128**

(58) **Field of Search** ..... D4/127, 128, 132-134, D4/136, 138; D28/18, 35; 15/27, 143.1, 159.1, 160, 186, 187; 16/110.1, 430; 132/120, 271, 313

(56) **References Cited**

**U.S. PATENT DOCUMENTS**

4,196,489 A \* 4/1980 Hahn ..... 15/159.1  
4,250,902 A \* 2/1981 Ihara ..... 132/271

D366,761 S \* 2/1996 Gertsma et al. .... D4/128  
5,979,463 A \* 11/1999 Santy, III et al. .... 132/120  
D430,348 S \* 8/2000 Moreno ..... D28/18

**FOREIGN PATENT DOCUMENTS**

JP 7-322918 \* 12/1995 ..... A46B/7/04

\* cited by examiner

*Primary Examiner*—Alan P. Douglas  
*Assistant Examiner*—Lavone D. Tabor  
(74) *Attorney, Agent, or Firm*—James E. Brunton

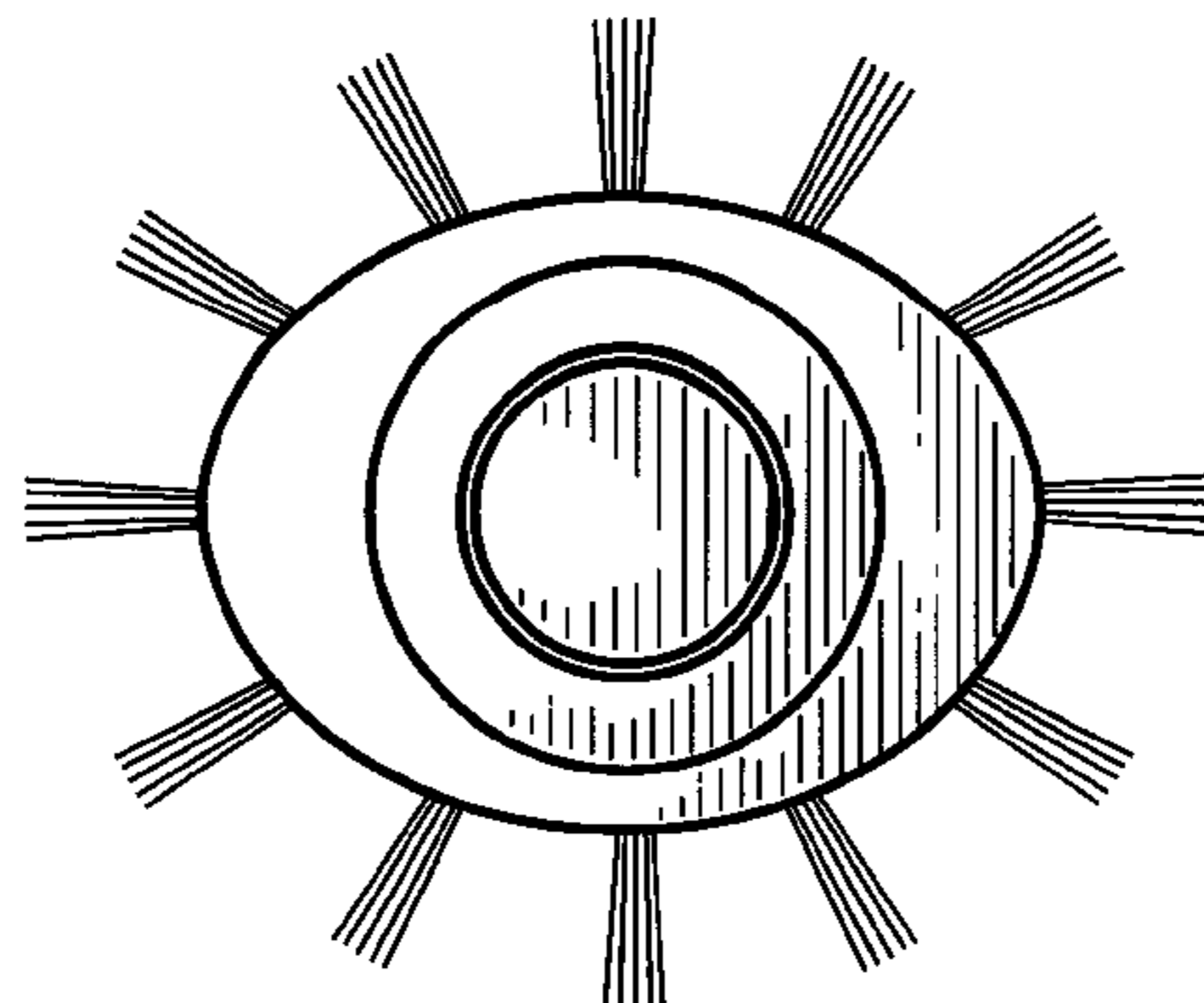
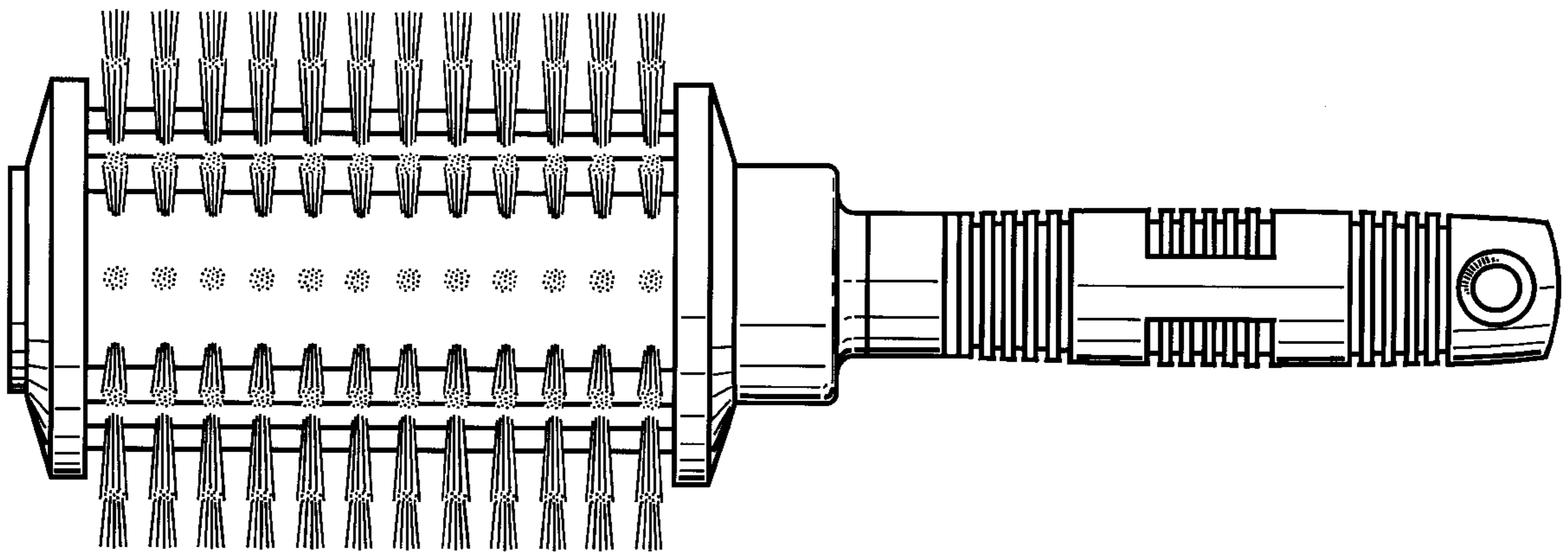
(57) **CLAIM**

The ornamental design for “hair brush with oval body”, as shown.

**DESCRIPTION**

FIG. 1 is a front view of a hair brush with an oval body showing my new design;  
FIG. 2 is a left end view thereof;  
FIG. 3 is a side view of the side adjacent to that which is shown in FIG. 1; and,  
FIG. 4 is a right end view thereof.

**1 Claim, 2 Drawing Sheets**



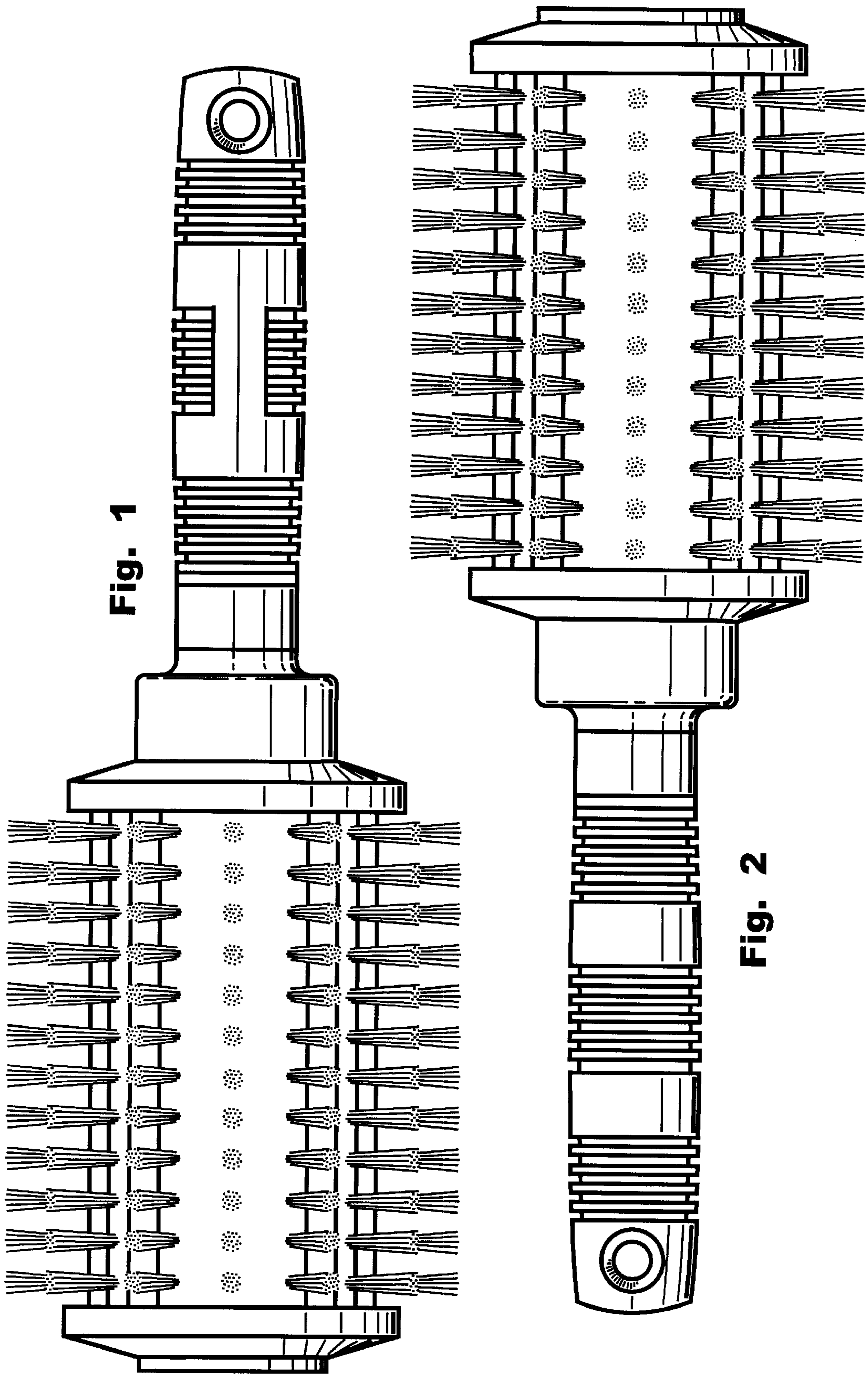
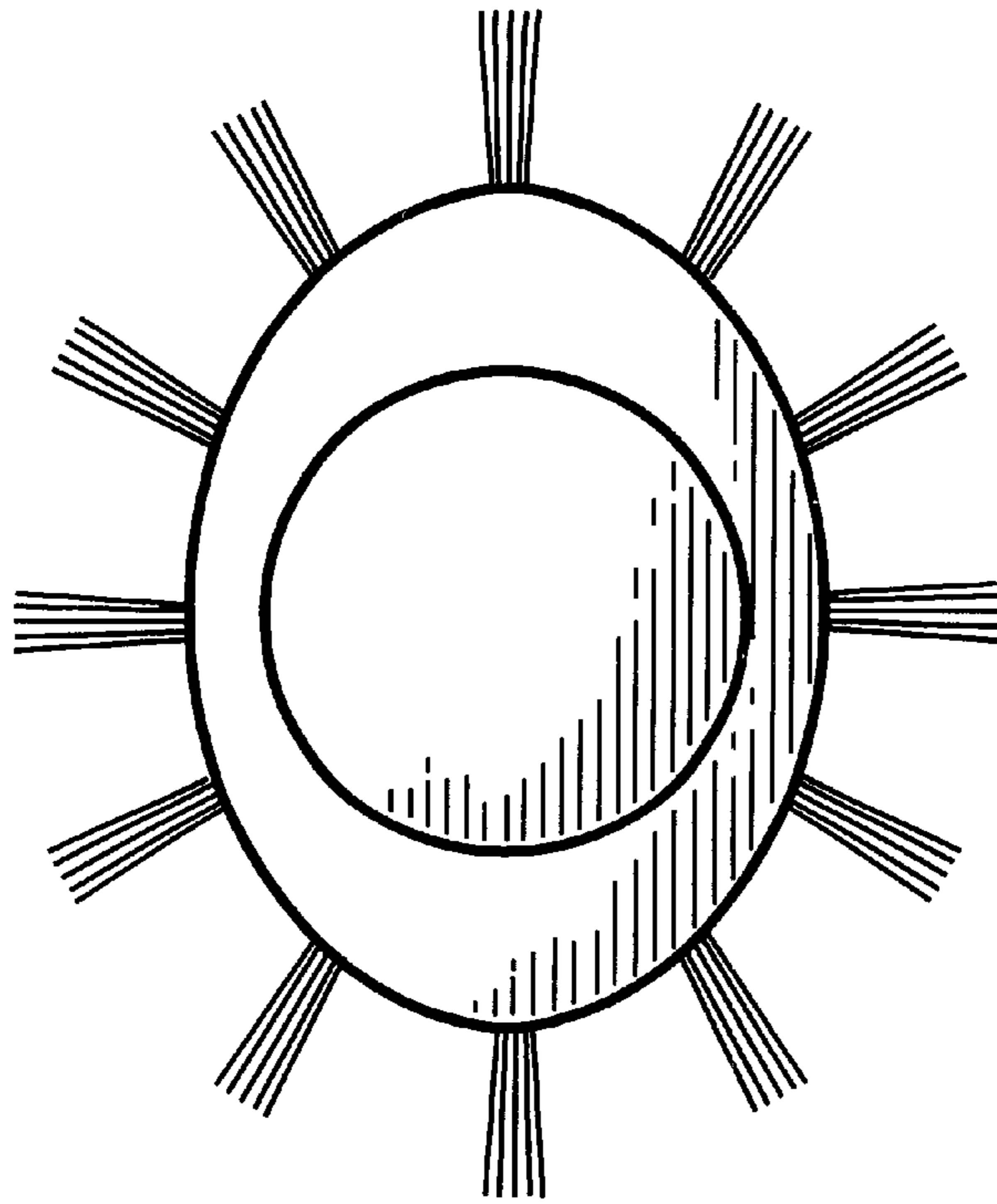
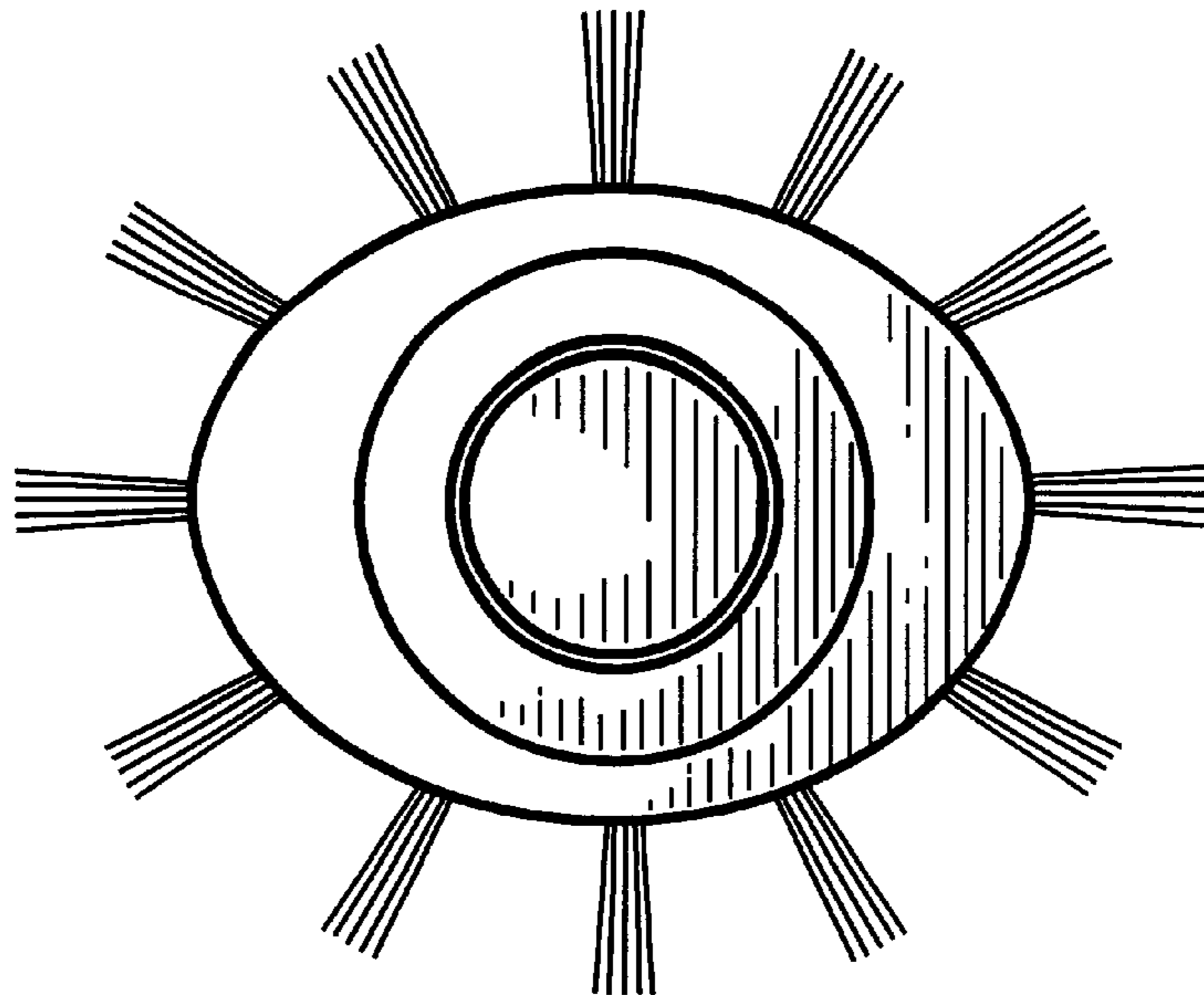


Fig. 1

Fig. 2



**Fig. 3**



**Fig. 4**