



US00D469256S

(12) **United States Design Patent**
Burdenko

(10) **Patent No.:** **US D469,256 S**

(45) **Date of Patent:** **** Jan. 28, 2003**

(54) **SHOULDER STRAP MODULE**

(75) Inventor: **Michael N. Burdenko**, Wellesley, MA
(US)

(73) Assignee: **Polaroid Corporation**, Cambridge, MA
(US)

(**) Term: **14 Years**

(21) Appl. No.: **29/132,712**

(22) Filed: **Nov. 15, 2000**

(51) **LOC (7) Cl.** **03-01**

(52) **U.S. Cl.** **D3/327**

(58) **Field of Search** D3/318, 327, 328;
224/264, 643, 907; 2/460, 459

(56) **References Cited**

U.S. PATENT DOCUMENTS

- 3,883,053 A * 5/1975 Pritchard et al. 2/459
- 5,507,422 A * 4/1996 Shields 2/268
- 5,626,507 A * 5/1997 Gillen 2/268

- D423,782 S * 5/2000 Ammerman et al. D3/327
- D424,301 S * 5/2000 Swierz D3/327
- 6,179,178 B1 * 1/2001 Stegmeyer 224/257
- 6,279,795 B1 * 8/2001 Pierzina 224/150
- 6,318,609 B1 * 11/2001 Swierz 2/460

* cited by examiner

Primary Examiner—Philip S. Hyder

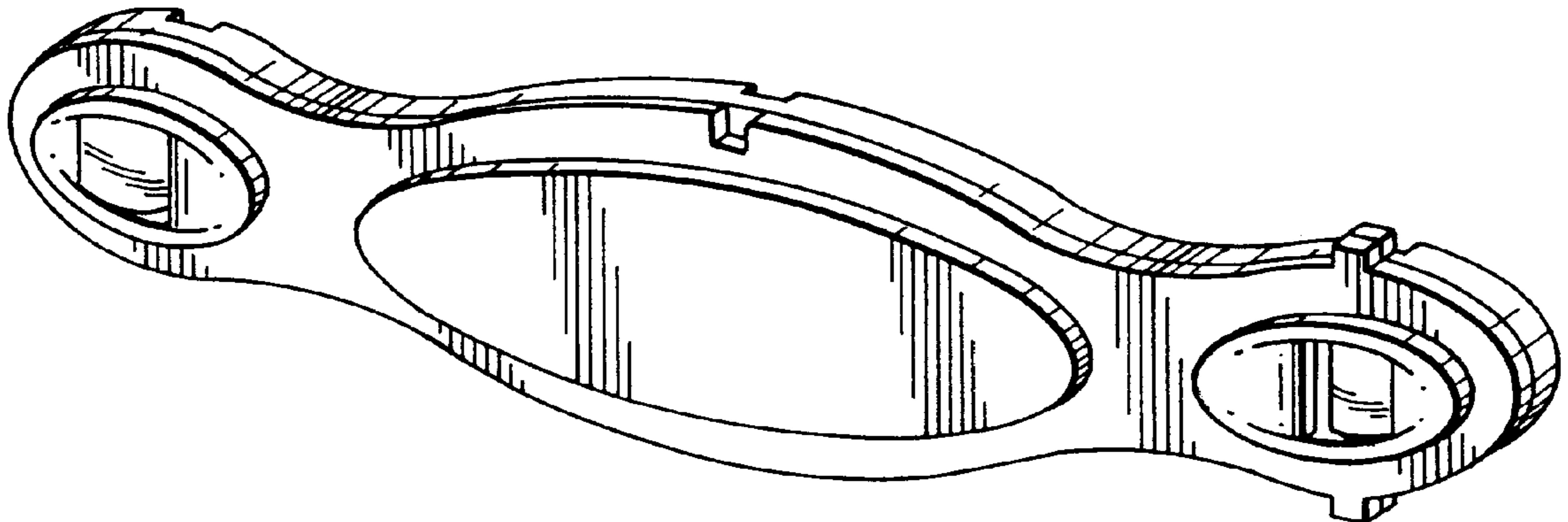
(57) **CLAIM**

The ornamental design for a shoulder strap module, as shown and described.

DESCRIPTION

FIG. 1 is a front view of a shoulder strap module;
FIG. 2 is a top plan view thereof;
FIG. 3 is a left side view thereof;
FIG. 4 is a right side view thereof;
FIG. 5 is a bottom view thereof;
FIG. 6 is a back view thereof; and,
FIG. 7 is a right side perspective view thereof.

1 Claim, 2 Drawing Sheets



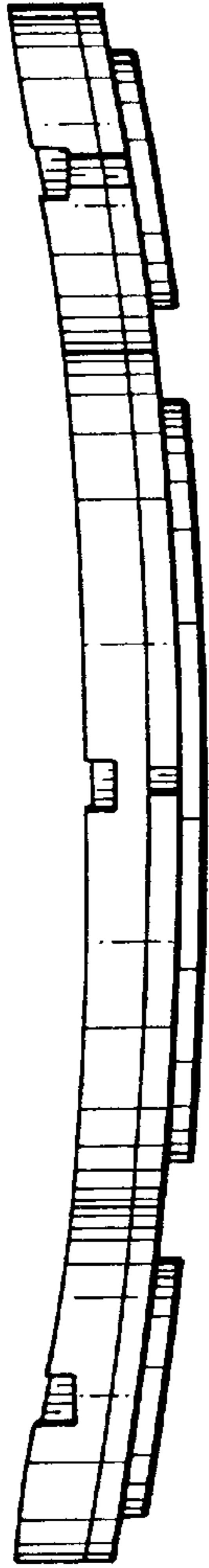


FIG. 2

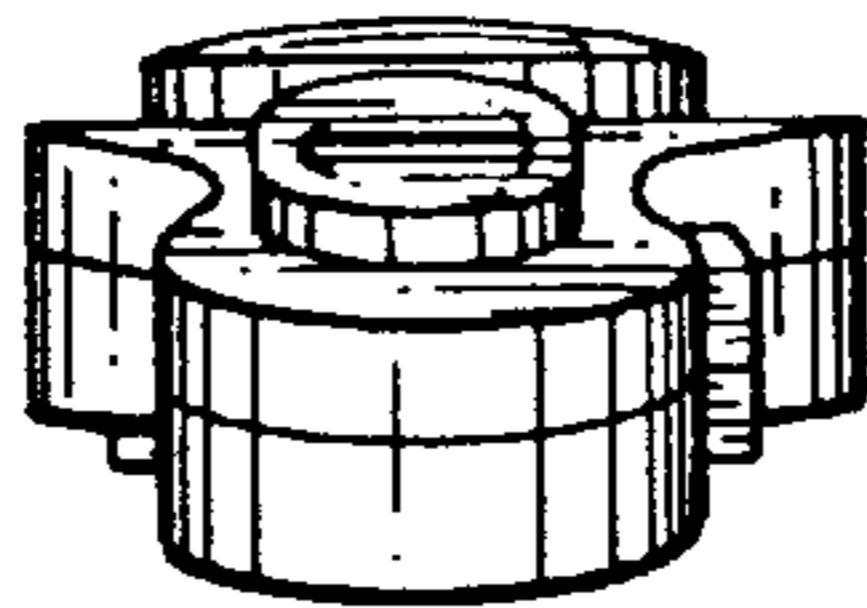


FIG. 3

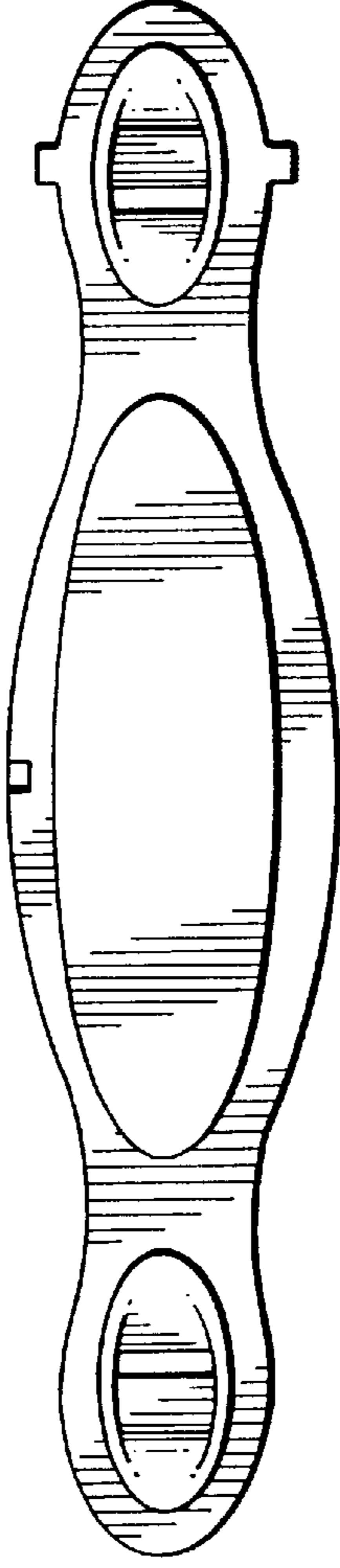


FIG. 1

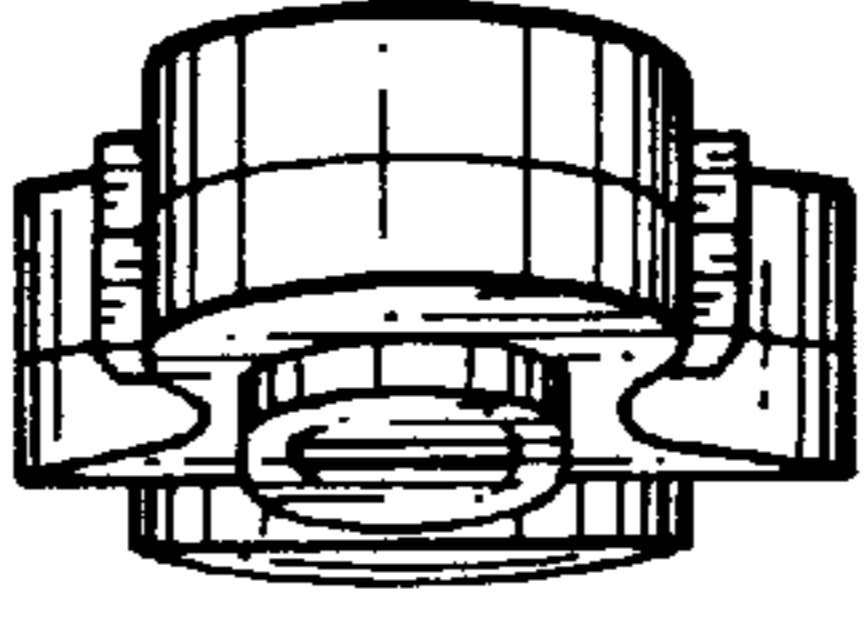


FIG. 4

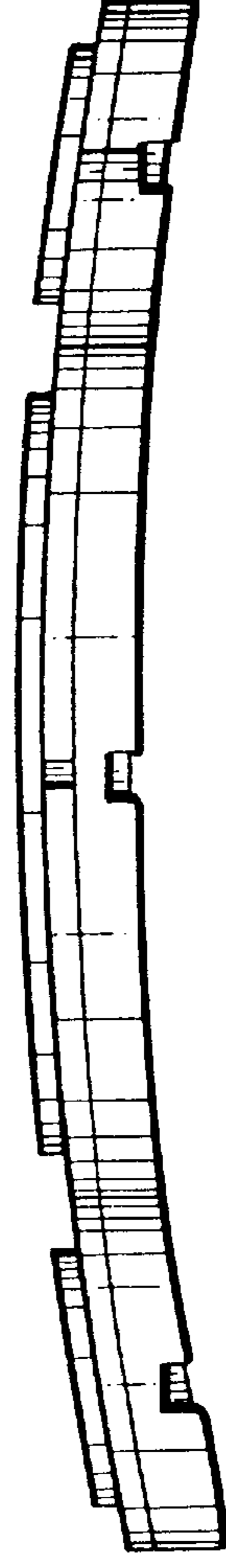


FIG. 5

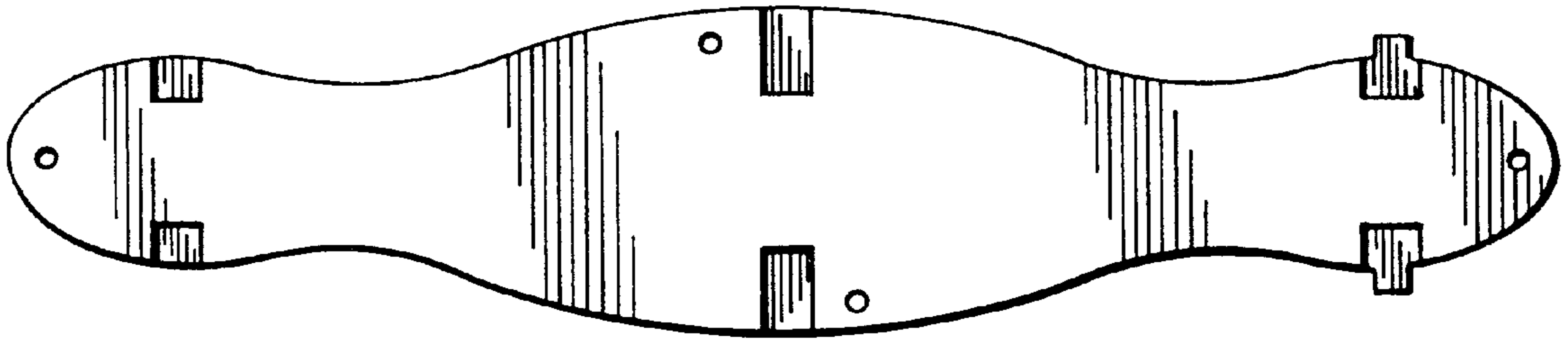


FIG. 6

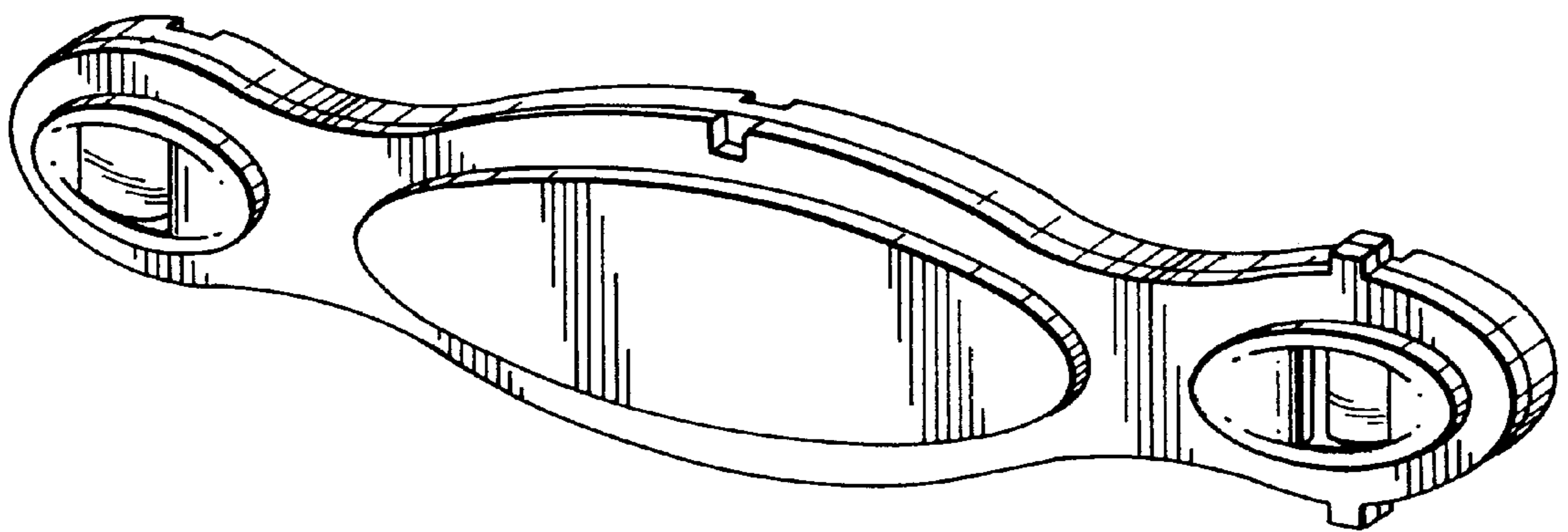


FIG. 7